



# WINDOW WALLS

## SERIES TN 601 TOP NOTCH SYSTEM PUNCHED WINDOW

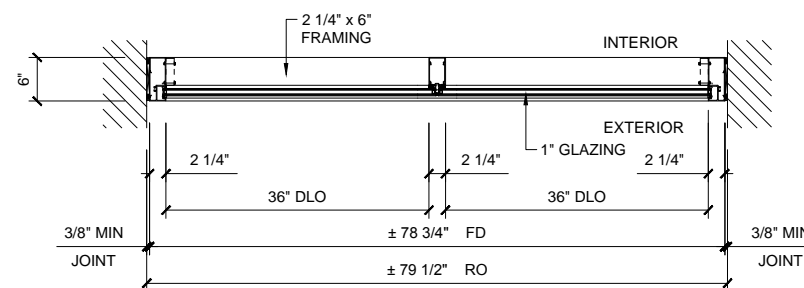
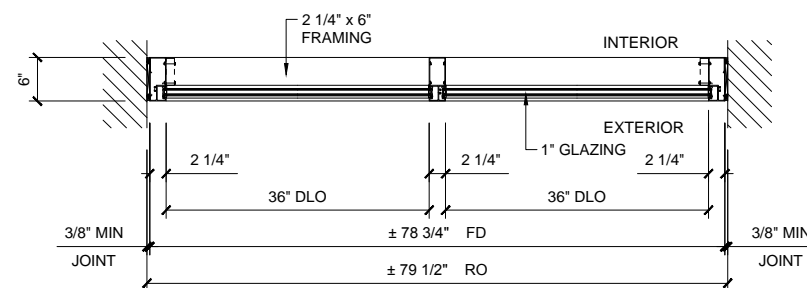
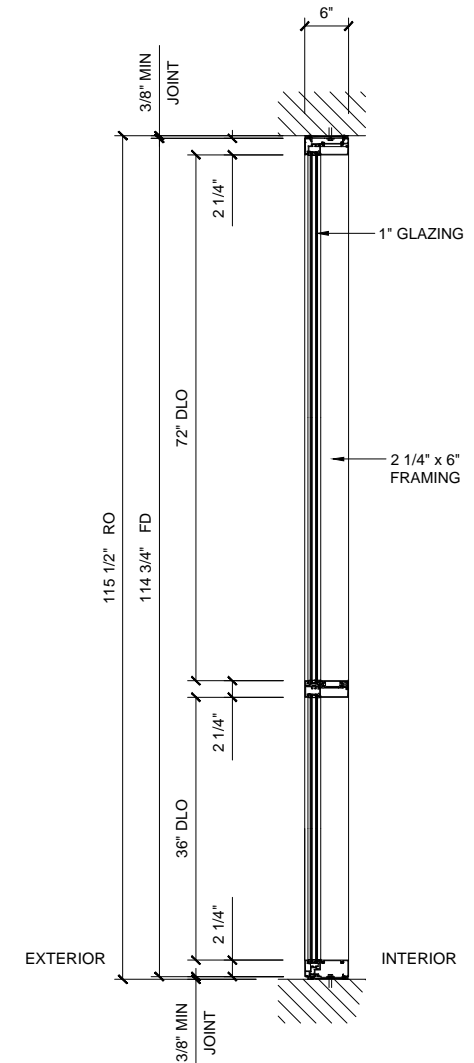
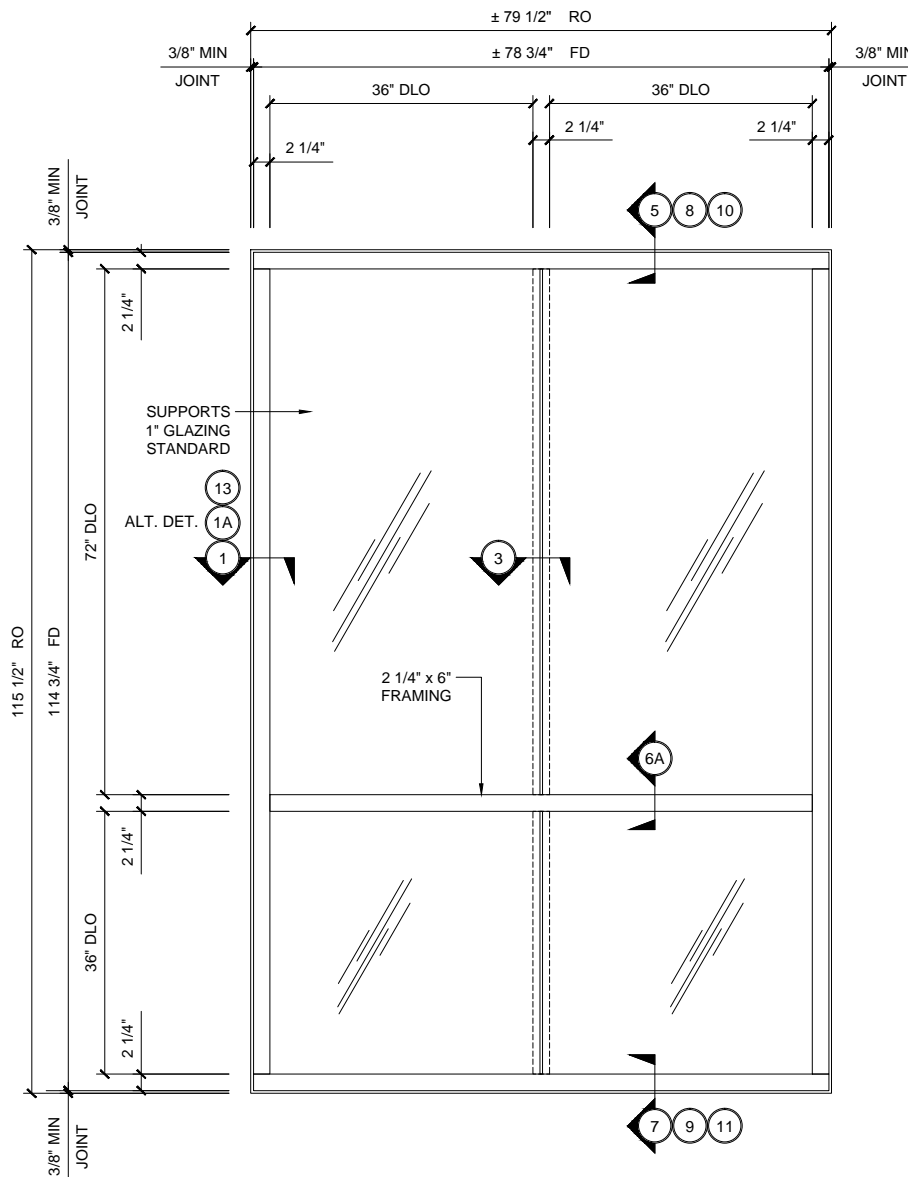
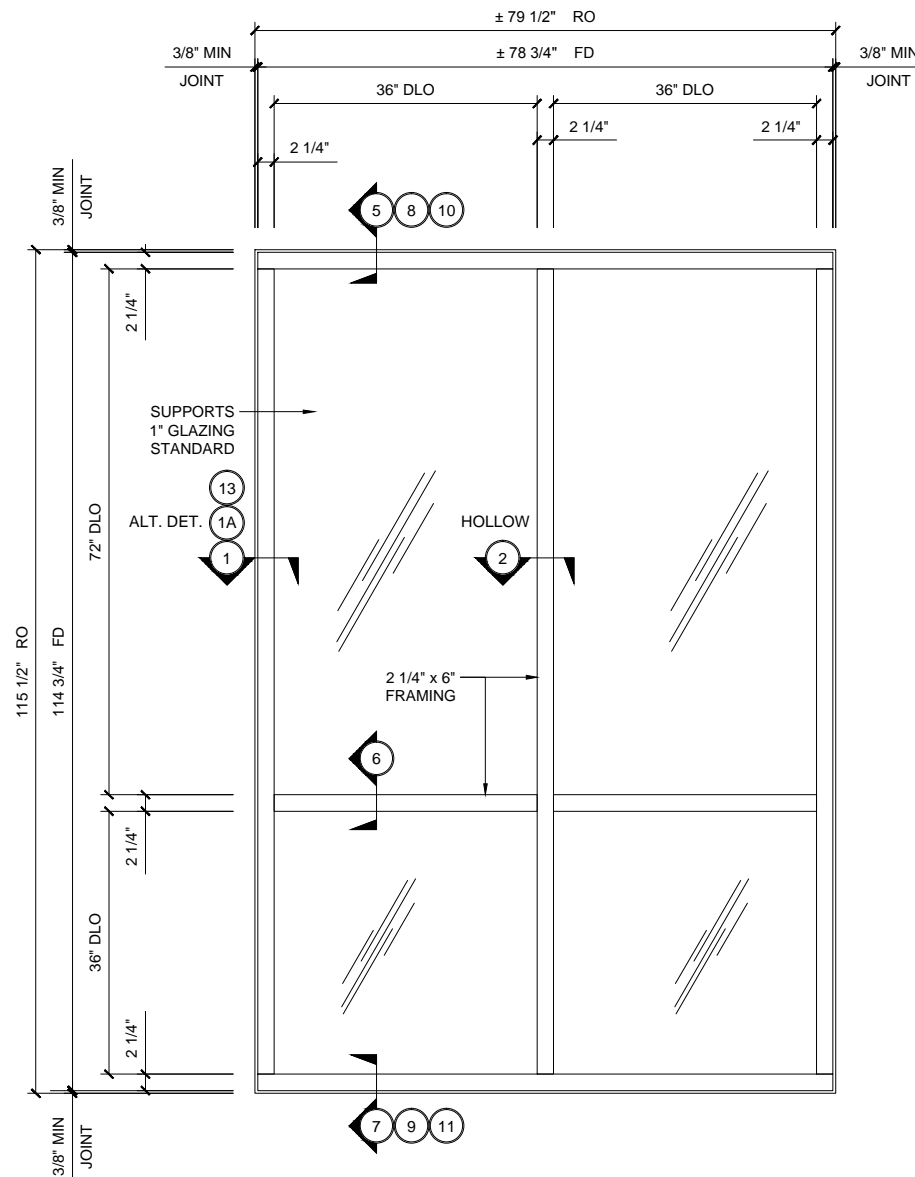
1"=1'-0"

GLASS SIZING NOTE:  
REFERENCE U.S. ALUMINUM  
CATALOGS AND WEBSITE'S  
LOAD CHARTS FOR SIZING  
GUIDELINES.

### TN 601 SERIES SPECIFICATIONS

The Top Notch Systems offer a shallow face reveal that creates a flush exterior appearance. These systems are designed for labor saving stacking type installations that requires glazing from the interior. Series TN601 and TT601 utilize wedge-type molded corner exterior sponge gaskets for superior air and water performances. Internal water deflectors at intermediate horizontal to vertical intersections allow infiltrated water to be drained into a continuous sill gutter and weeped to the exterior. Vertical mullions for structural silicone glazing are also available. The Top Notch Systems are designed for fixed horizontal window wall or punched opening applications.

2 1/4" x 6" frame  
Full range of accessory components  
Available in an array of architectural coatings and anodized finishes  
Interior Glazed



### STANDARD ABBREVIATIONS

RO	ROUGH OPENING
FD	FRAME DIMENSION
DLO	DAYLIGHT OPENING
DO	DOOR OPENING
DD	DOOR DIMENSION
SMC	SURFACE MOUNTED CLOSER
OHCC	OVERHEAD CONCEALED CLOSER

Revisions By:



U.S. ALUMINUM  
TOP NOTCH SYSTEM  
SERIES TN601 / SERIES TT601  
SYSTEM DRAWINGS

Drawn By: RPD  
Date: 11/14/14  
Scale: AS NOTED  
File Name: TN601-TT601.dwg  
Sheet

TN601.01



WINDOW WALLS

SERIES TN 601 TOP NOTCH SYSTEM  
FIXED HORIZONTAL WINDOW WALL

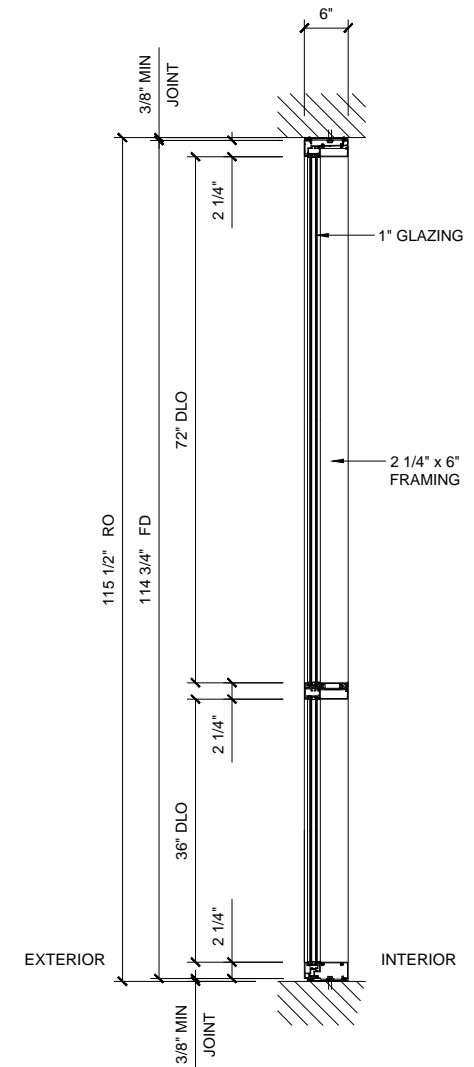
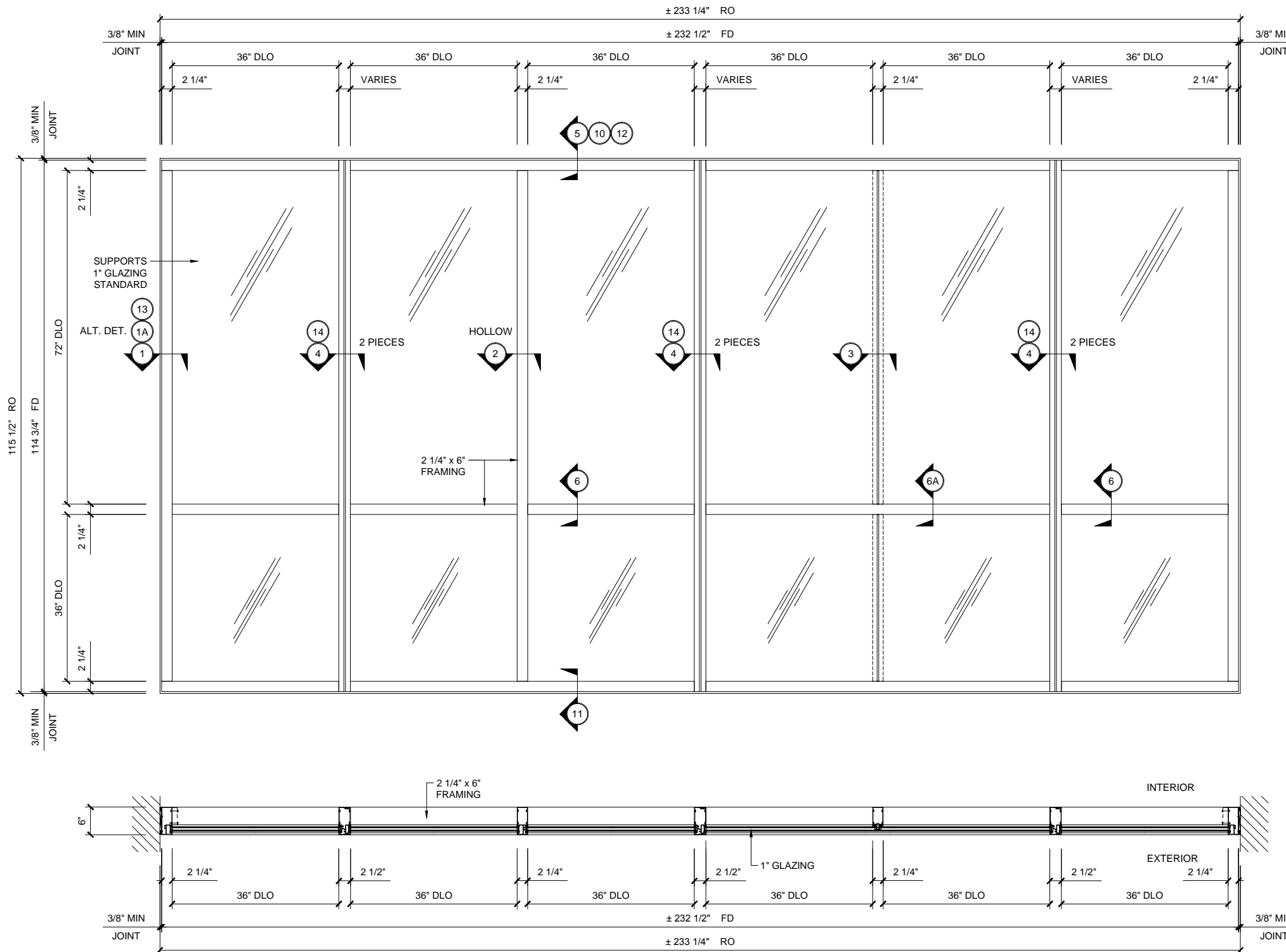
1"=1'-0"

GLASS SIZING NOTE:  
REFERENCE U.S. ALUMINUM  
CATALOGS AND WEBSITE'S  
LOAD CHARTS FOR SIZING  
GUIDELINES.

**TN 601 SERIES SPECIFICATIONS**

The Top Notch Systems offer a shallow face reveal that creates a flush exterior appearance. These systems are designed for labor saving stacking type installations that requires glazing from the interior. Series TN601 and TT601 utilize wedge-type molded corner exterior sponge gaskets for superior air and water performances. Internal water deflectors at intermediate horizontal to vertical intersections allow infiltrated water to be drained into a continuous sill gutter and weeped to the exterior. Vertical mullions for structural silicone glazing are also available. The Top Notch Systems are designed for fixed horizontal window wall or punched opening applications.

2 1/4" x 6" frame  
Full range of accessory components  
Available in an array of architectural coatings and anodized finishes  
Interior Glazed



**STANDARD ABBREVIATIONS**

RO	ROUGH OPENING
FD	FRAME DIMENSION
DLO	DAYLIGHT OPENING
DO	DOOR OPENING
DD	DOOR DIMENSION
SMC	SURFACE MOUNTED CLOSER
OHCC	OVERHEAD CONCEALED CLOSER

Revisions By:

**CRL ALUMINUM**  
C.R. LAURENCE CO. ARCHITECTURAL PRODUCTS  
2503 E. Verron Avenue, Los Angeles, CA 90058-1897  
PH (800)-421-6144 FX: 800-587-7501 www.crlaurence.com

Description:  
U.S. ALUMINUM  
TOP NOTCH SYSTEM  
SERIES TN601 / SERIES TT601  
SYSTEM DRAWINGS

Drawn By: RPD  
Date: 11/14/14  
Scale: AS NOTED  
File Name: TN601-TT601.dwg

Sheet  
**TN601.02**



WINDOW WALLS

# SERIES TN 601 TOP NOTCH SYSTEM FIXED HORIZONTAL WINDOW WALL @ INTERSTORY

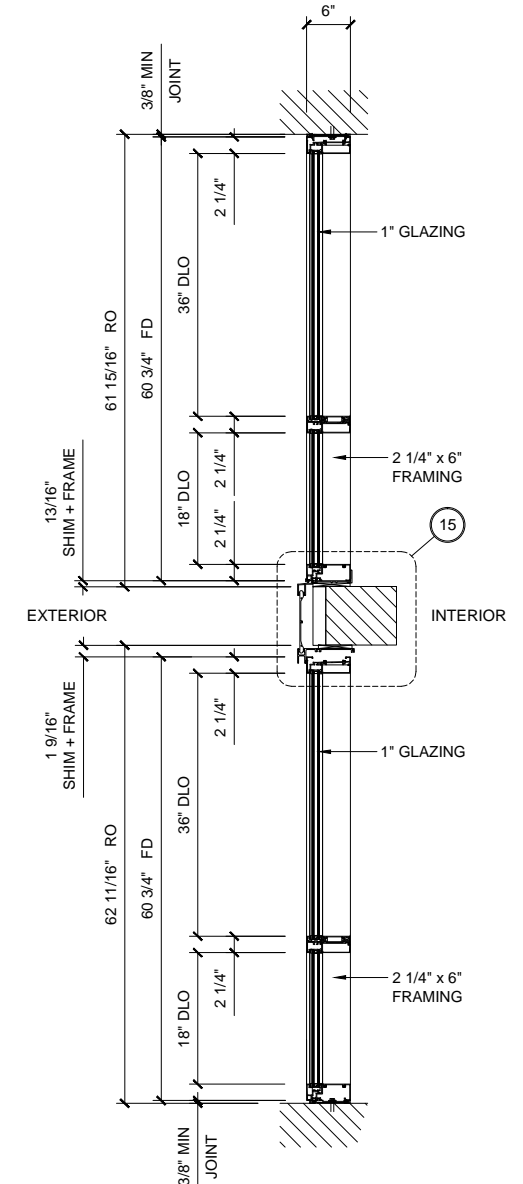
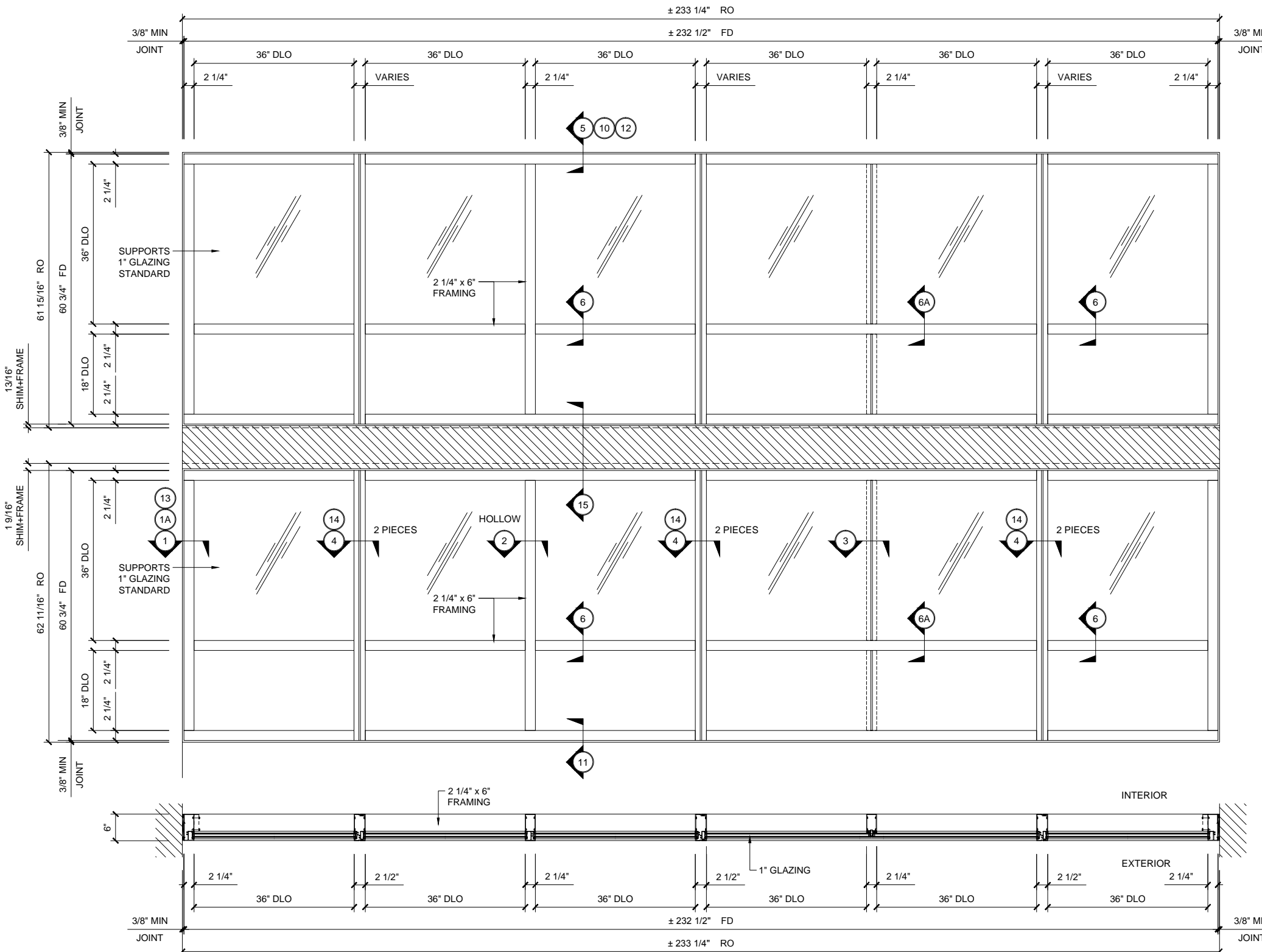
1"=1'-0"

GLASS SIZING NOTE:  
REFERENCE U.S. ALUMINUM  
CATALOGS AND WEBSITE'S  
LOAD CHARTS FOR SIZING  
GUIDELINES.

## TN 601 SERIES SPECIFICATIONS

The Top Notch Systems offer a shallow face reveal that creates a flush exterior appearance. These systems are designed for labor saving stacking type installations that requires glazing from the interior. Series TN601 and TT601 utilize wedge-type molded corner exterior sponge gaskets for superior air and water performances. Internal water deflectors at intermediate horizontal to vertical intersections allow infiltrated water to be drained into a continuous sill gutter and weeped to the exterior. Vertical mullions for structural silicone glazing are also available. The Top Notch Systems are designed for fixed horizontal window wall or punched opening applications.

2 1/4" x 6" frame  
Full range of accessory components  
Available in an array of architectural coatings and anodized finishes  
Interior Glazed



STANDARD ABBREVIATIONS	
RO	ROUGH OPENING
FD	FRAME DIMENSION
DLO	DAYLIGHT OPENING
DO	DOOR OPENING
DD	DOOR DIMENSION
SMC	SURFACE MOUNTED CLOSER
OHCC	OVERHEAD CONCEALED CLOSER

Revisions By:

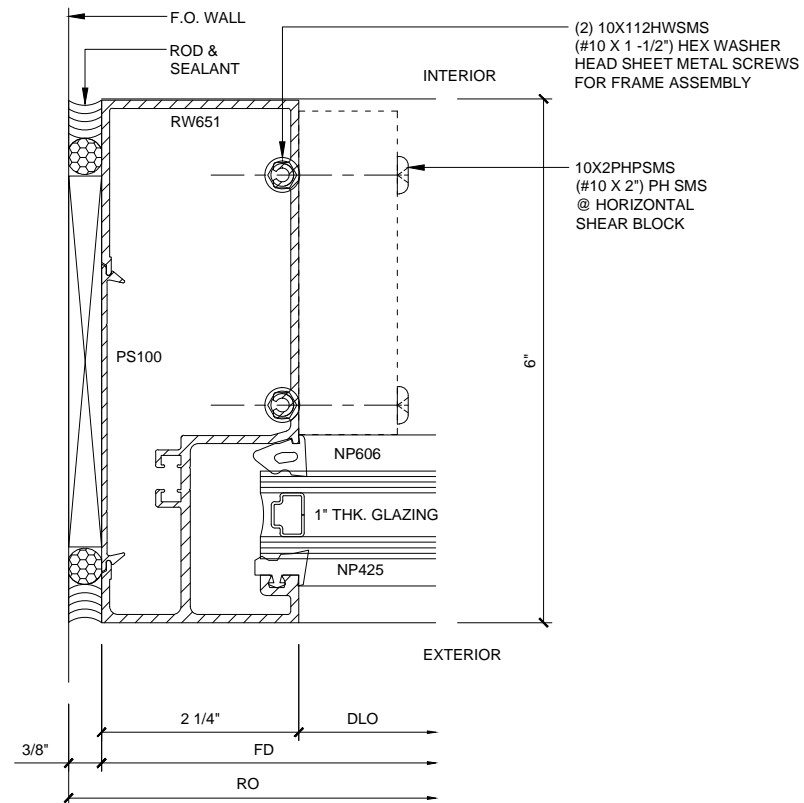


U.S. ALUMINUM  
TOP NOTCH SYSTEM  
SERIES TN601 / SERIES TT601  
SYSTEM DRAWINGS

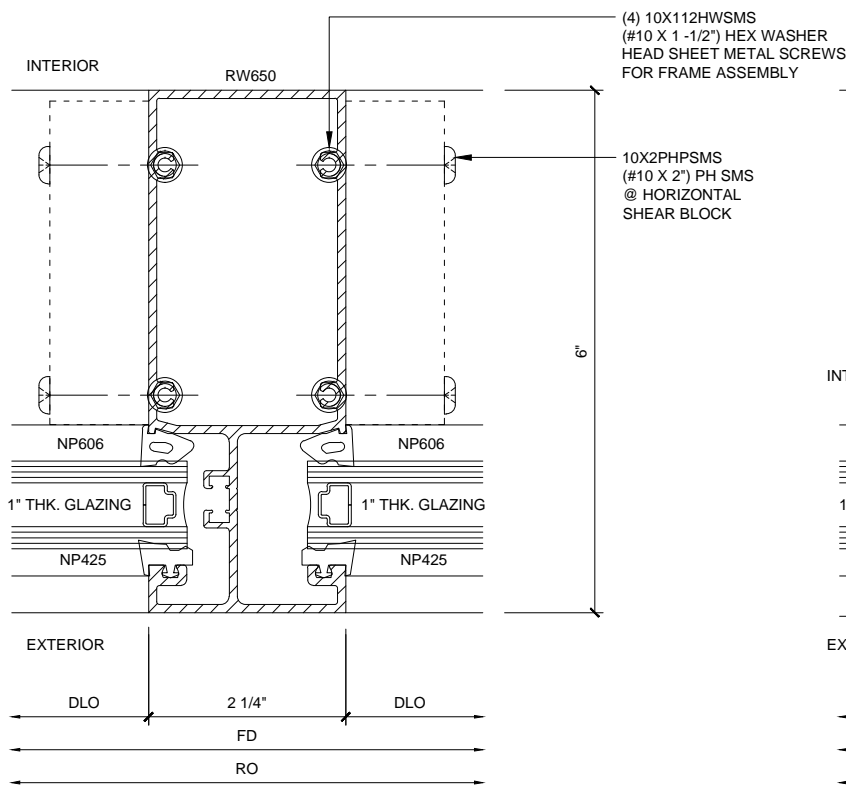
Drawn By: RPD  
Date: 11/14/14  
Scale: AS NOTED  
File Name: TN601-TT601.dwg  
Sheet

TN601.03

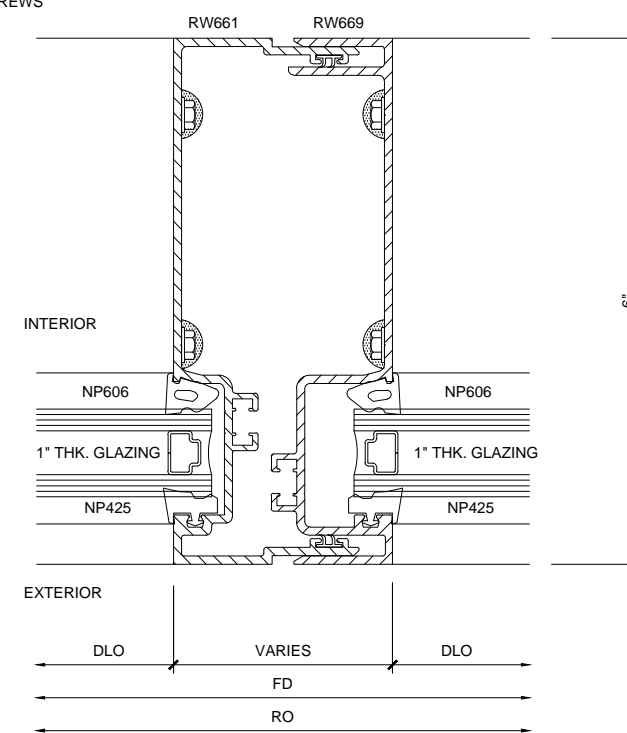
Revisions By:



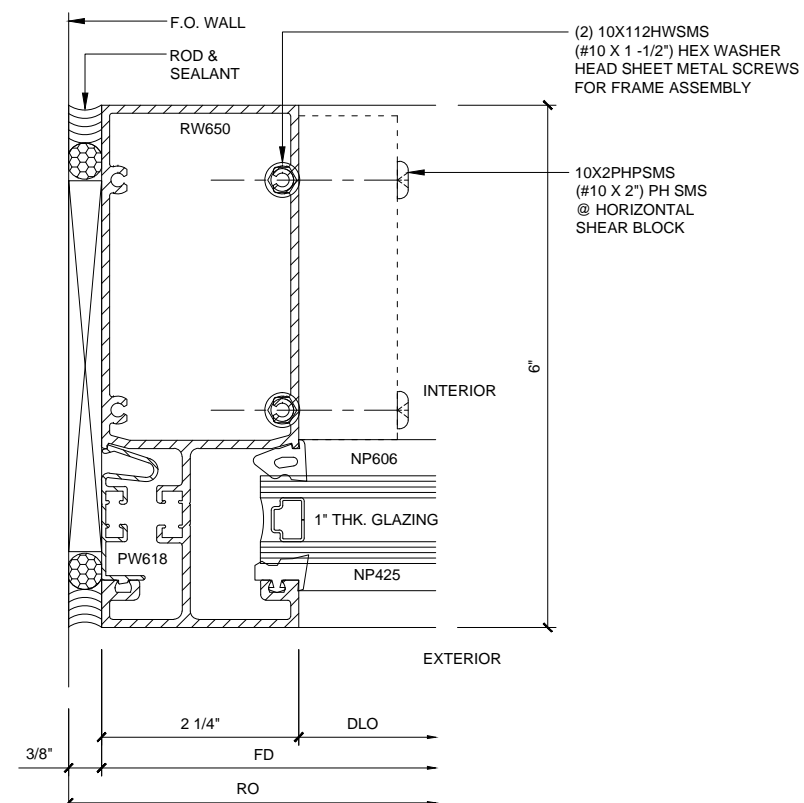
**JAMB SECTION ①**



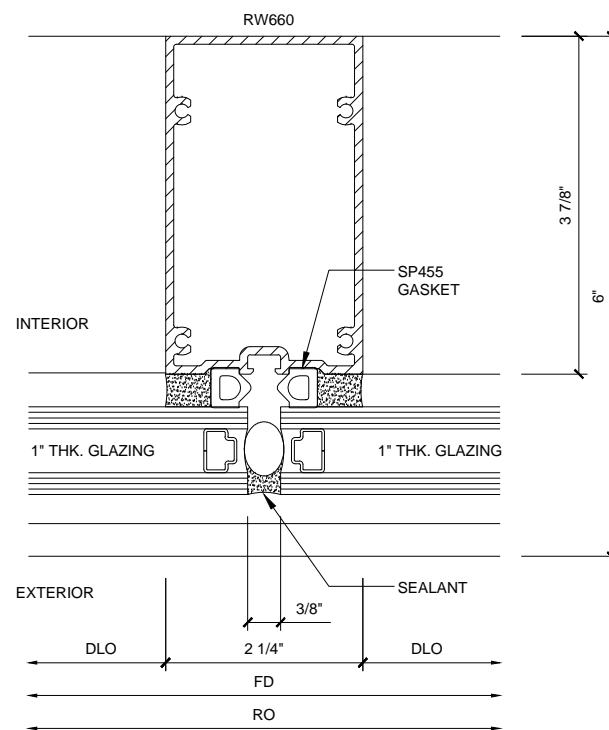
**INT. VERT. SECTION ②**



**INT. VERT. SECTION ④**



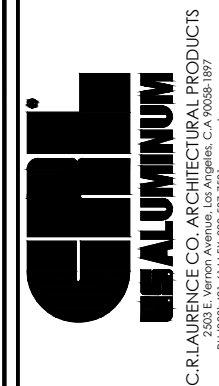
**OPTIONAL WALL JAMB SECTION ①A**  
ALTERNATE DETAIL



**INT. VERT. SECTION ③**

**WINDOW WALL SERIES TN601 TOP NOTCH SYSTEM**

1'-0" = 1'-0"



C.R. LAURENCE CO. ARCHITECTURAL PRODUCTS  
 2503 E. Verron Avenue, Los Angeles, CA 90058-1897  
 PH (800)-421-6144 FX (800)-587-7501 www.crlaurence.com

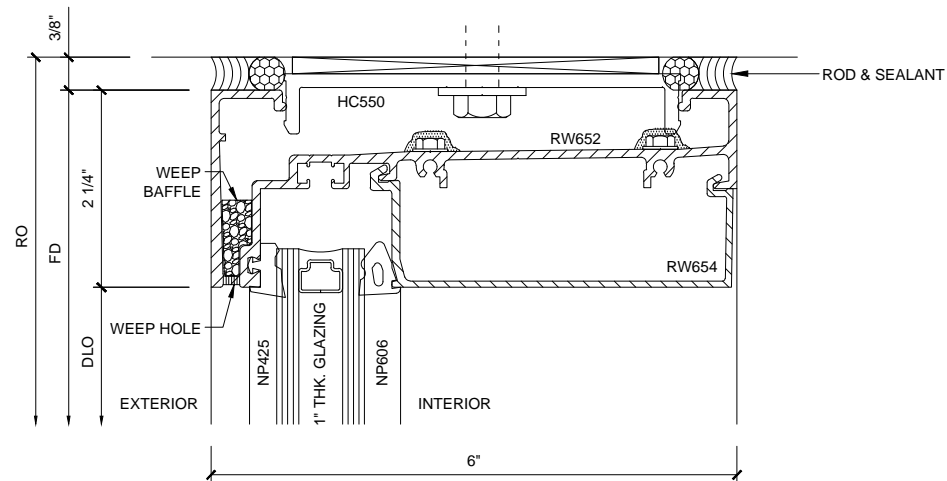
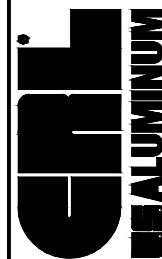
Discription:  
 U.S. ALUMINUM  
 TOP NOTCH SYSTEM  
 SERIES TN601 / SERIES TT601  
 SYSTEM DRAWINGS

Drawn By: RPD  
 Date: 11/14/14  
 Scale: AS NOTED  
 File Name: TN601-TT601.dwg  
 Sheet

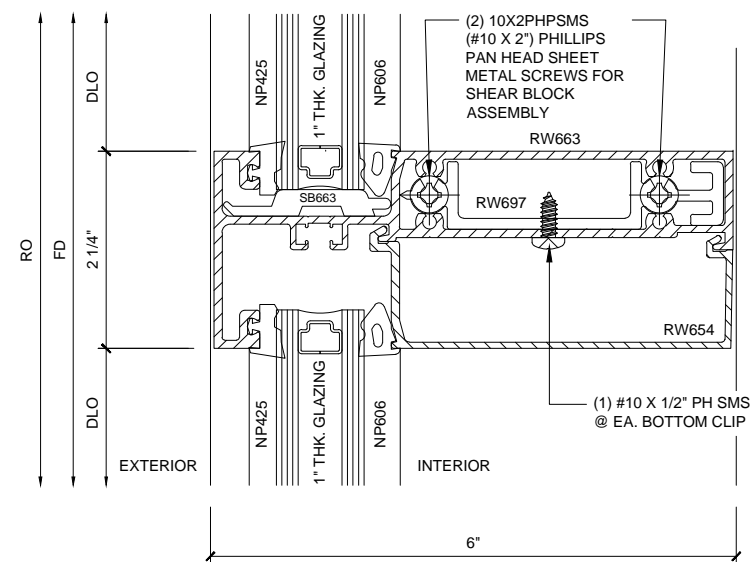
TN601.04

Revisions By:

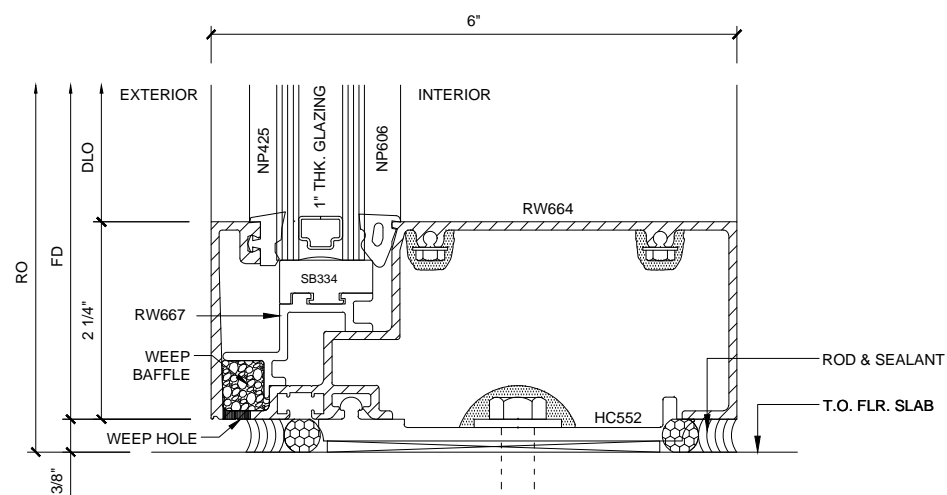
C.R. LAURENCE CO. ARCHITECTURAL PRODUCTS  
2503 E. Verron Avenue, Los Angeles, CA 90058-1897  
PH (800)-421-6144 FX (800)-587-7501 www.crlaurence.com



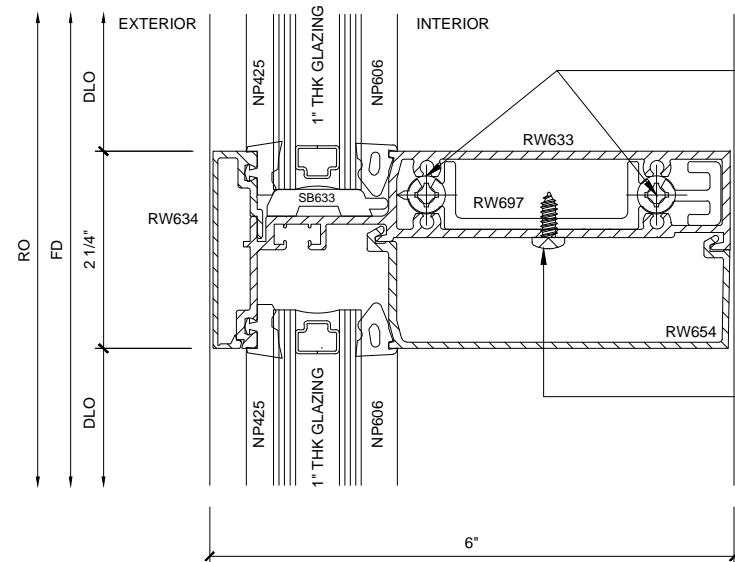
**HEAD SECTION 5**



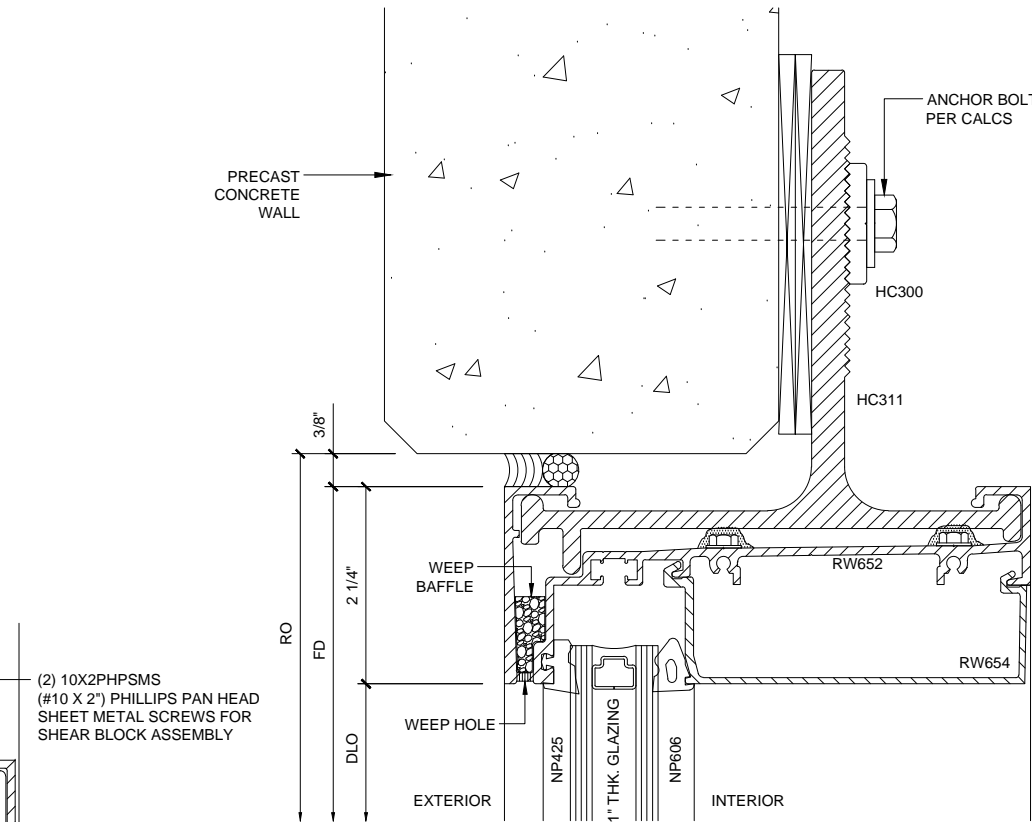
**INT. HOR. SECTION 6**



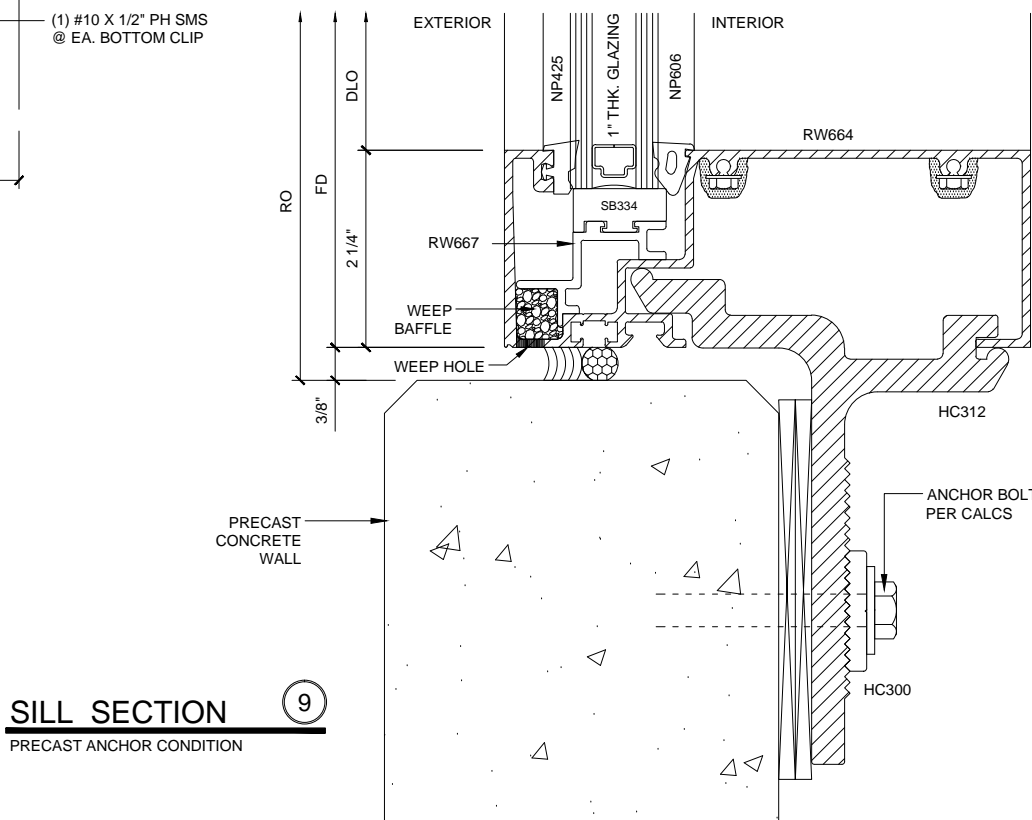
**SILL SECTION 7**



**INT. HOR. SECTION 6A**  
FOR STRUCTURAL SILICONE GLAZING



**HEAD SECTION 8**  
PRECAST ANCHOR CONDITION



**SILL SECTION 9**  
PRECAST ANCHOR CONDITION

**WINDOW WALL SERIES TN601 TOP NOTCH SYSTEM**

1'-0" = 1'-0"

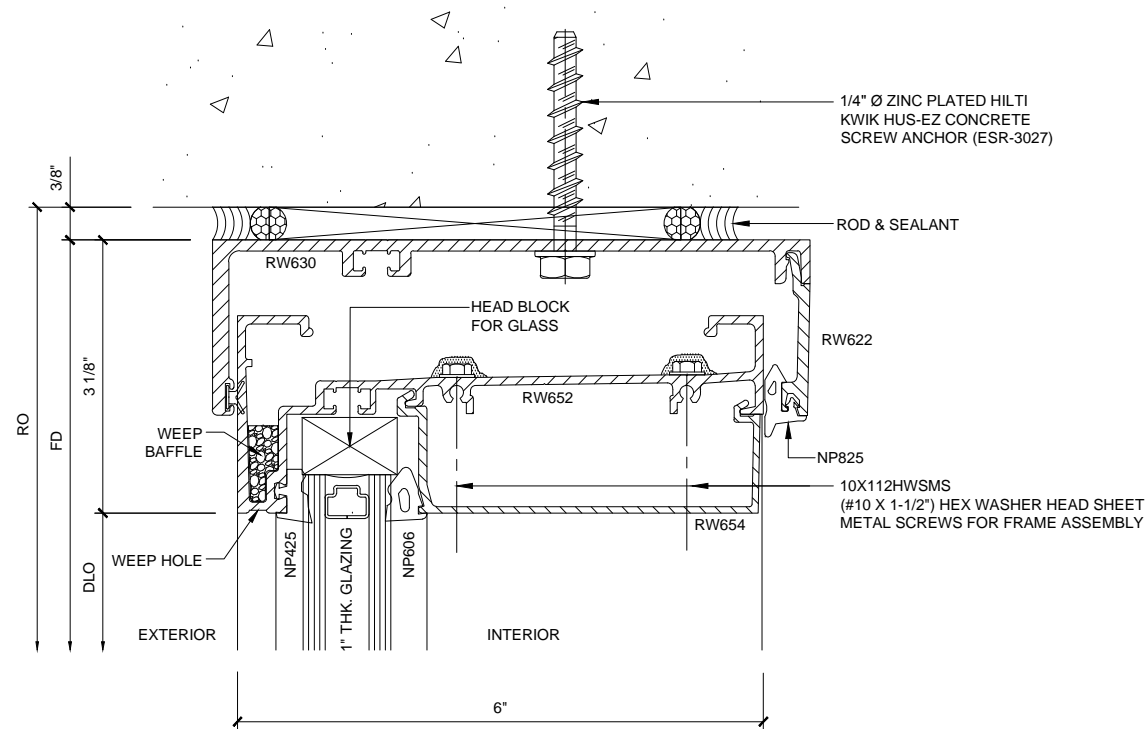
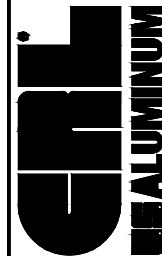
U.S. ALUMINUM  
TOP NOTCH SYSTEM  
SERIES TN601 / SERIES TT601  
SYSTEM DRAWINGS

Drawn By: RPD  
Date: 11/14/14  
Scale: AS NOTED  
File Name: TN601-TT601.dwg  
Sheet

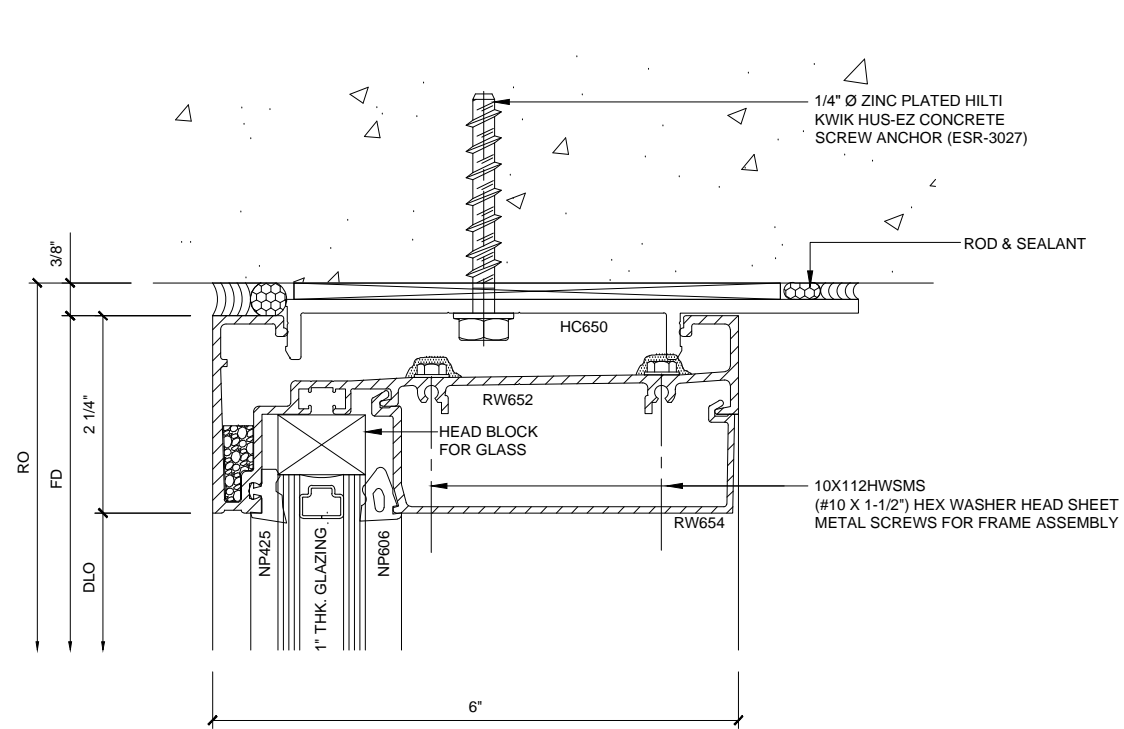
TN601.05

Revisions By:

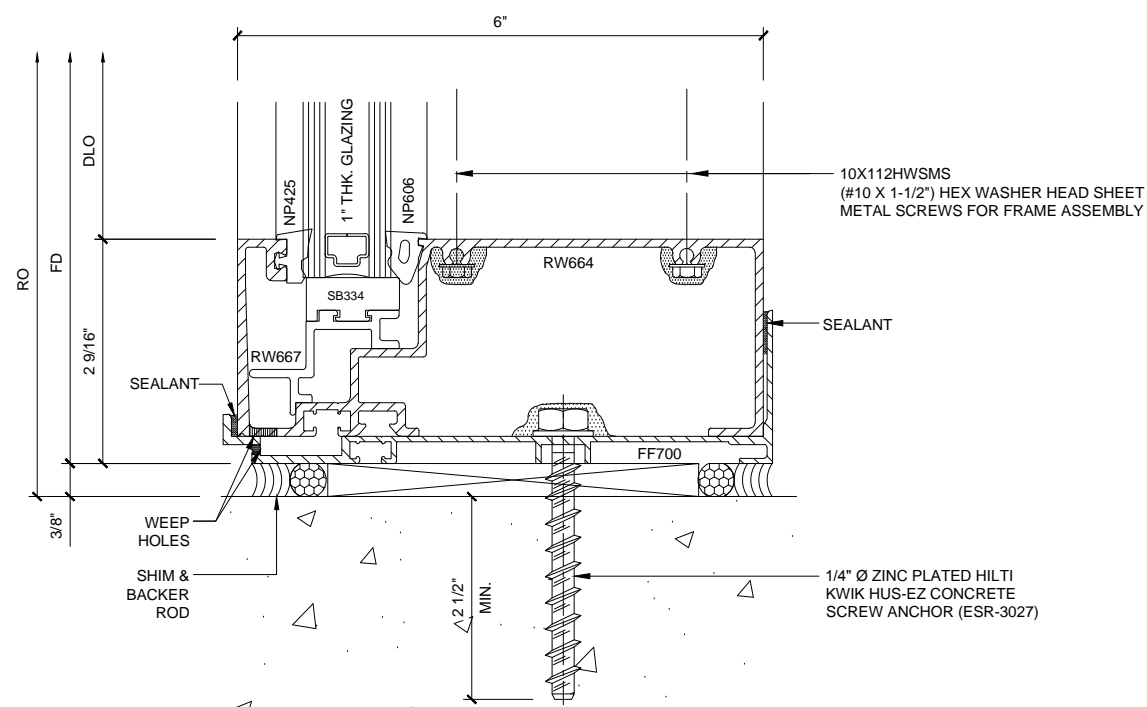
C.R. LAURENCE CO. ARCHITECTURAL PRODUCTS  
2503 E. Verron Avenue, Los Angeles, CA 90058-1897  
PH (800)-421-6144 FX (800)-587-7201 www.crlaurence.com



**HEAD SECTION 10**  
WITH RECEIVER



**HEAD SECTION 12**



**SILL SECTION 11**  
AT BALCONIES

**WINDOW WALL SERIES TN601 TOP NOTCH SYSTEM**

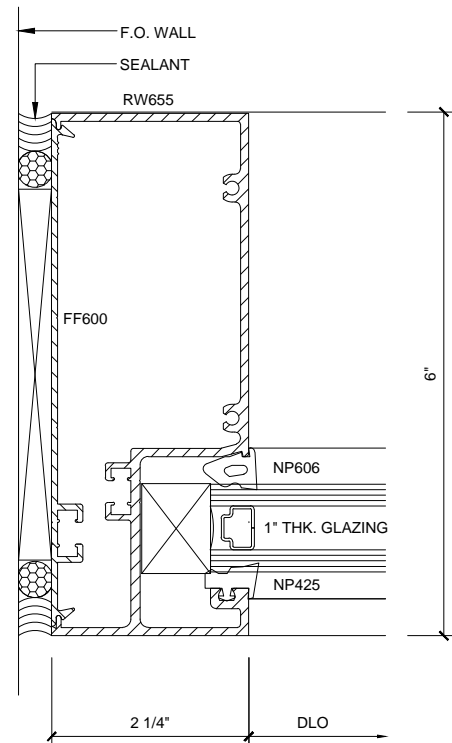
1'-0" = 1'-0"

Description:

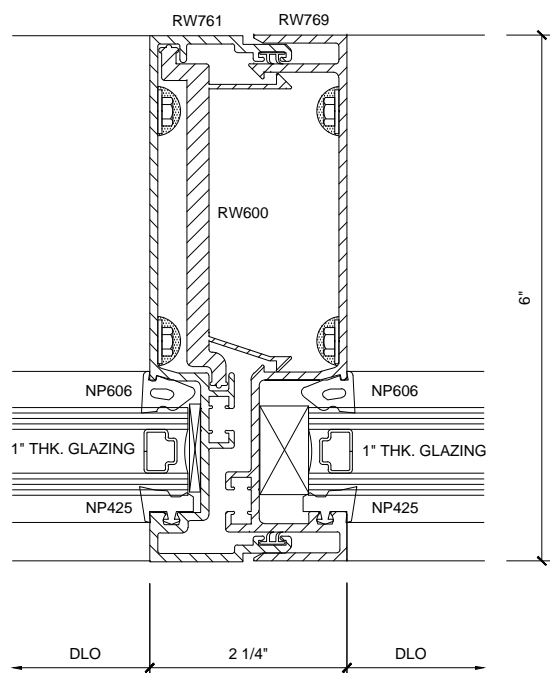
U.S. ALUMINUM  
TOP NOTCH SYSTEM  
SERIES TN601 / SERIES TT601  
SYSTEM DRAWINGS

Drawn By: RPD  
Date: 11/14/14  
Scale: AS NOTED  
File Name: TN601-TT601.dwg  
Sheet

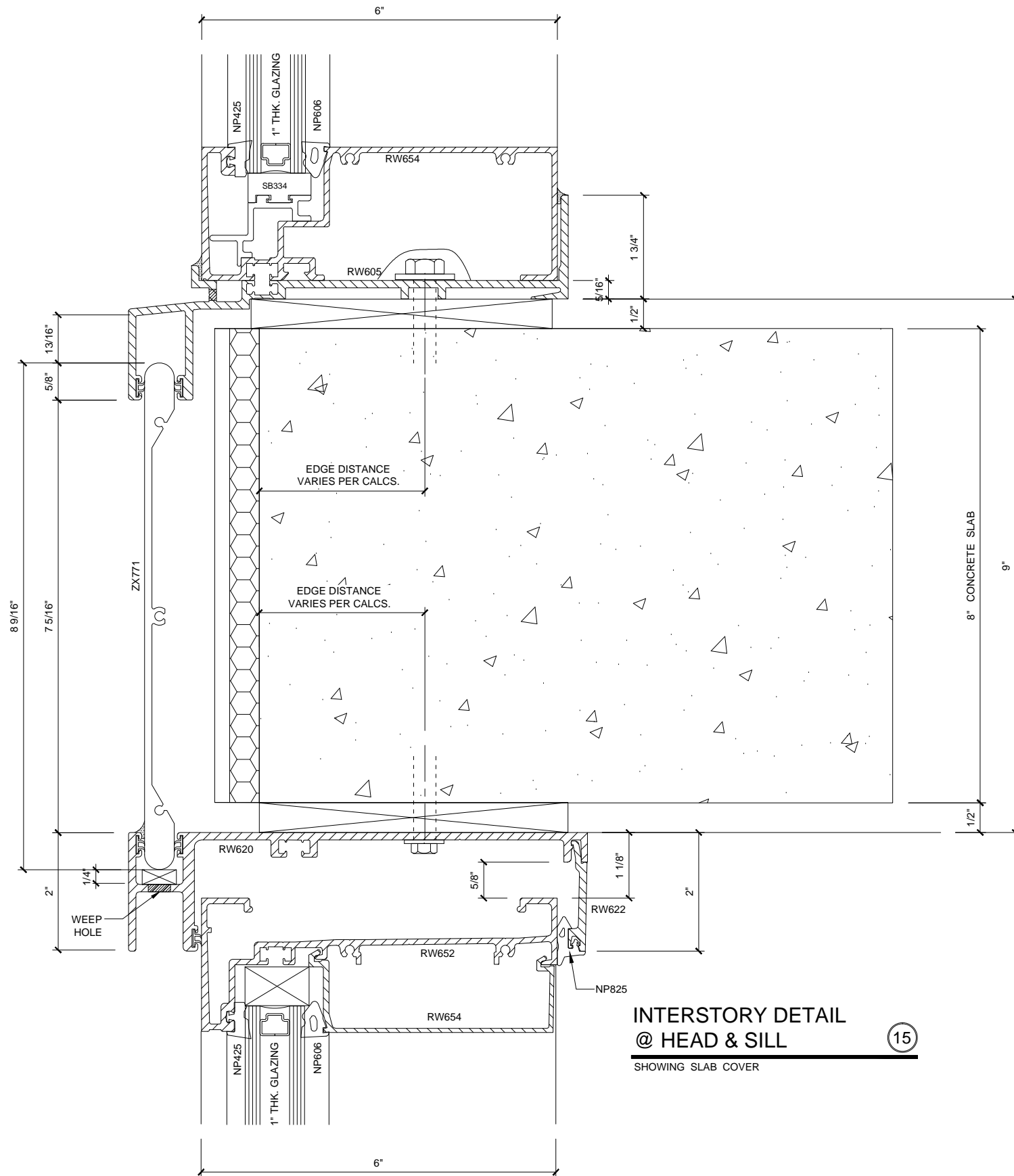
TN601.06



**JAMB SECTION 13**



**INT. VERT. SECTION 14**

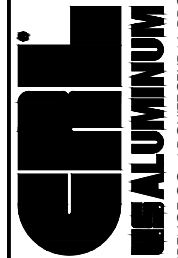


**INTERSTORY DETAIL @ HEAD & SILL 15**  
SHOWING SLAB COVER

**WINDOW WALL SERIES TN601 TOP NOTCH SYSTEM**

1'-0" = 1'-0"

Revisions By:



C.R. LAURENCE CO. ARCHITECTURAL PRODUCTS  
2503 E. Verron Avenue, Los Angeles, CA 90058-1897  
PH (800)-421-6144 FX (800)-587-7501 www.crlaurence.com

U.S. ALUMINUM  
TOP NOTCH SYSTEM  
SERIES TN601 / SERIES TT601  
SYSTEM DRAWINGS

Drawn By: RPD  
Date: 11/14/14  
Scale: AS NOTED  
File Name: TN601-TT601.dwg  
Sheet

TN601.07



WINDOW WALLS

SERIES TT 601 TOP NOTCH SYSTEM  
PUNCHED WINDOW

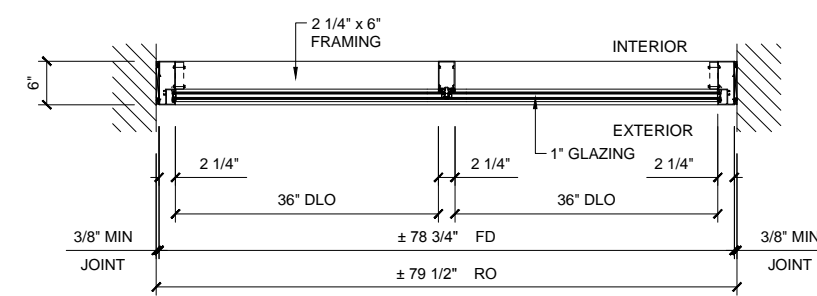
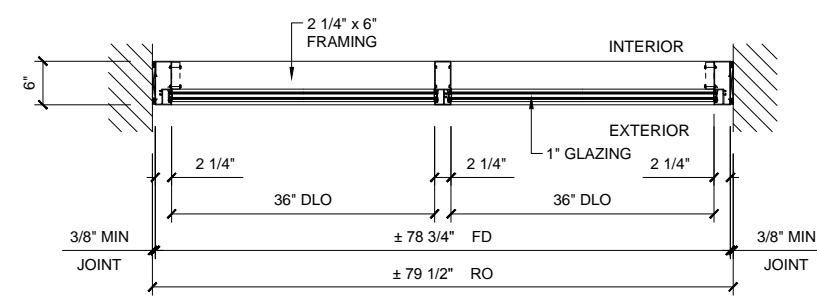
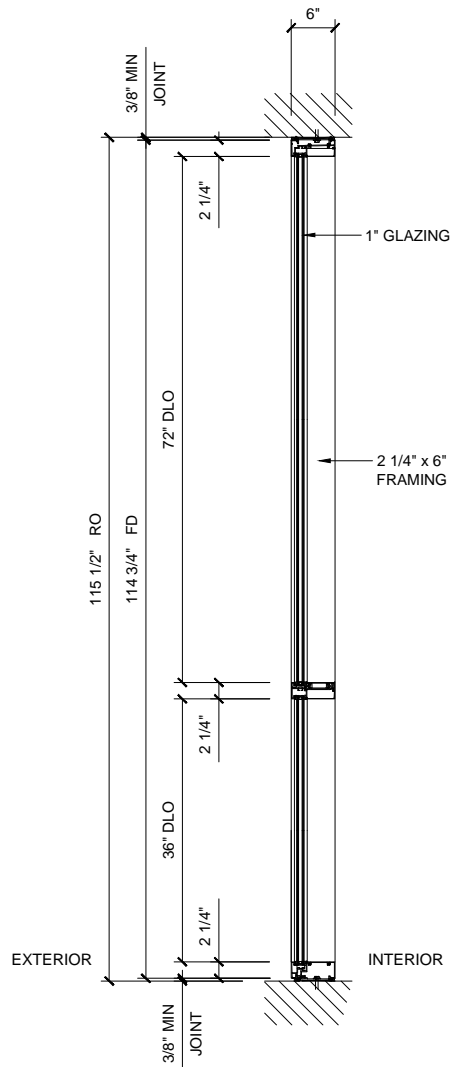
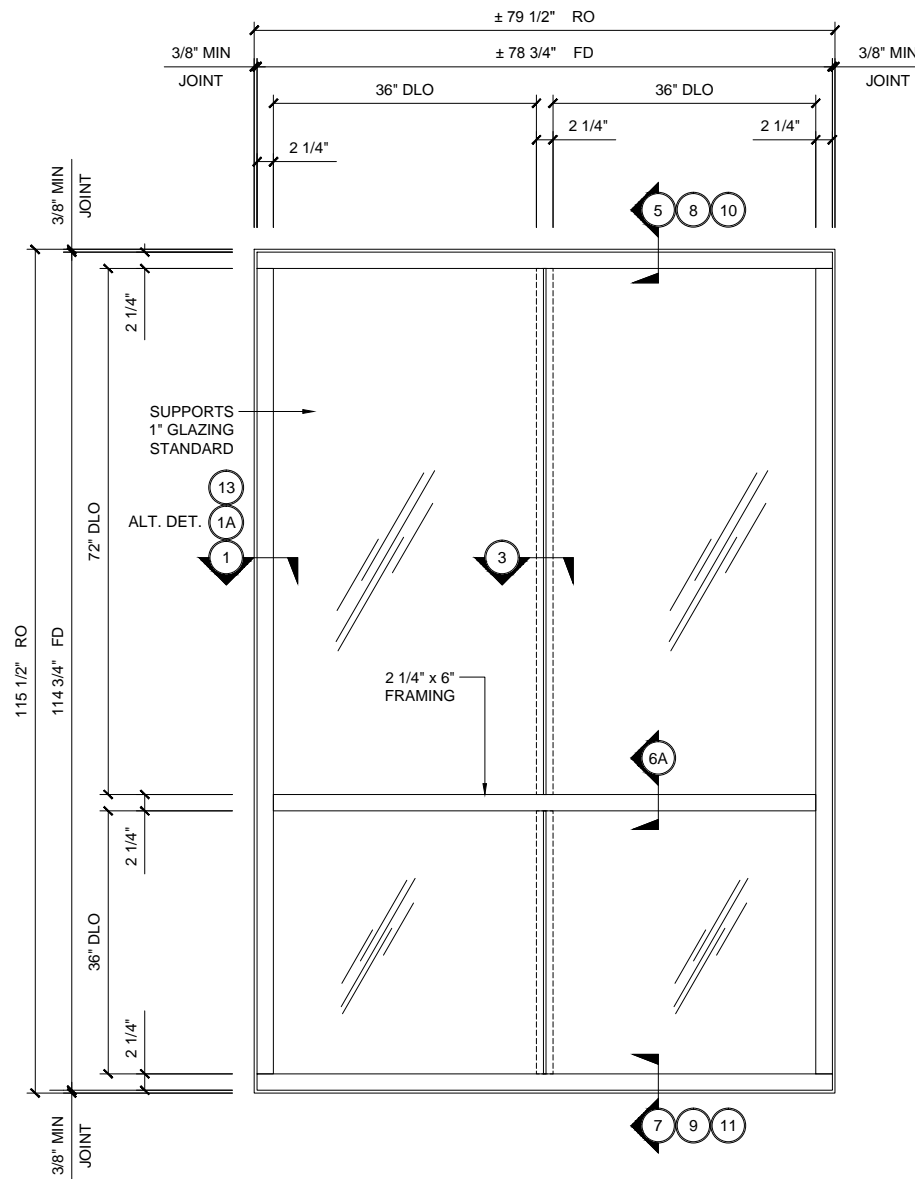
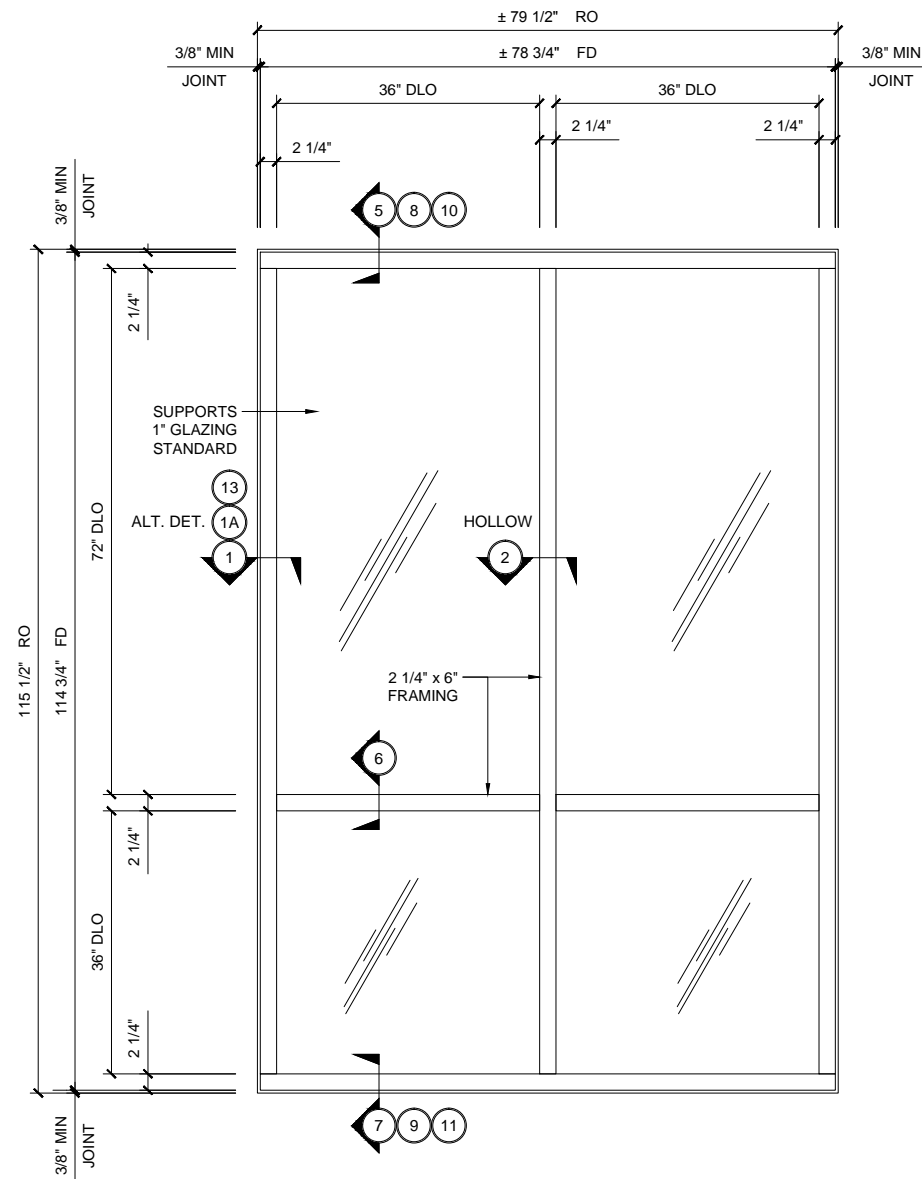
1"=1'-0"

GLASS SIZING NOTE:  
REFERENCE U.S. ALUMINUM  
CATALOGS AND WEBSITE'S  
LOAD CHARTS FOR SIZING  
GUIDELINES.

**TT 601 SERIES SPECIFICATIONS**

The Top Notch Systems offer a shallow face reveal that creates a flush exterior appearance. These systems are designed for labor saving stacking type installations that requires glazing from the interior. Series TN601 and TT601 utilize wedge-type molded corner exterior sponge gaskets for superior air and water performances. Internal water deflectors at intermediate horizontal to vertical intersections allow infiltrated water to be drained into a continuous sill gutter and weeped to the exterior. Vertical mullions for structural silicone glazing are also available. The Top Notch Systems are designed for fixed horizontal window wall or punched opening applications.

2 1/4" x 6" frame  
Full range of accessory components  
Available in an array of architectural coatings and anodized finishes  
Interior Glazed



**STANDARD ABBREVIATIONS**

RO	ROUGH OPENING
FD	FRAME DIMENSION
DLO	DAYLIGHT OPENING
DO	DOOR OPENING
DD	DOOR DIMENSION
SMC	SURFACE MOUNTED CLOSER
OHCC	OVERHEAD CONCEALED CLOSER

Revisions By:



Description:  
U.S. ALUMINUM  
TOP NOTCH SYSTEM  
SERIES TN601 / SERIES TT601  
SYSTEM DRAWINGS

Drawn By: RPD  
Date: 11/14/14  
Scale: AS NOTED  
File Name: TN601-TT601.dwg  
Sheet

TT601.01





# WINDOW WALLS

## SERIES TT 601 TOP NOTCH SYSTEM FIXED HORIZONTAL WINDOW WALL

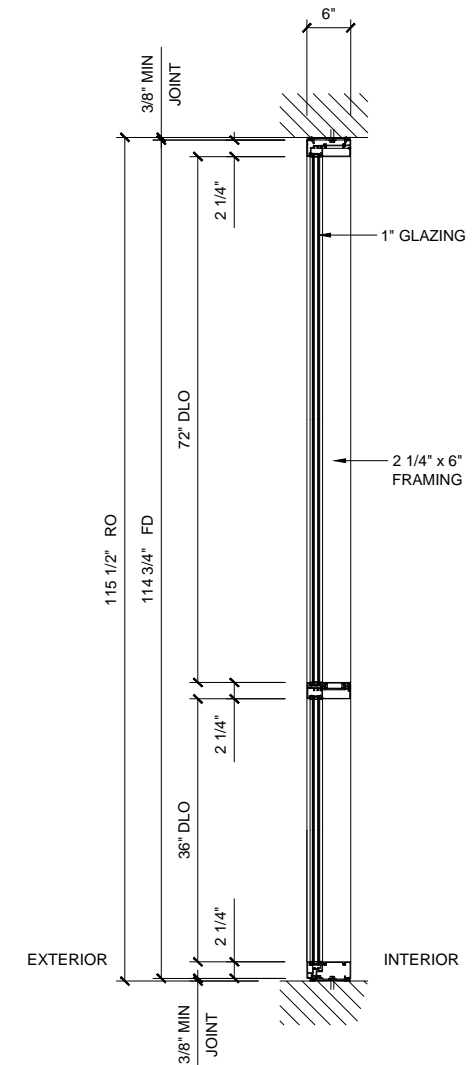
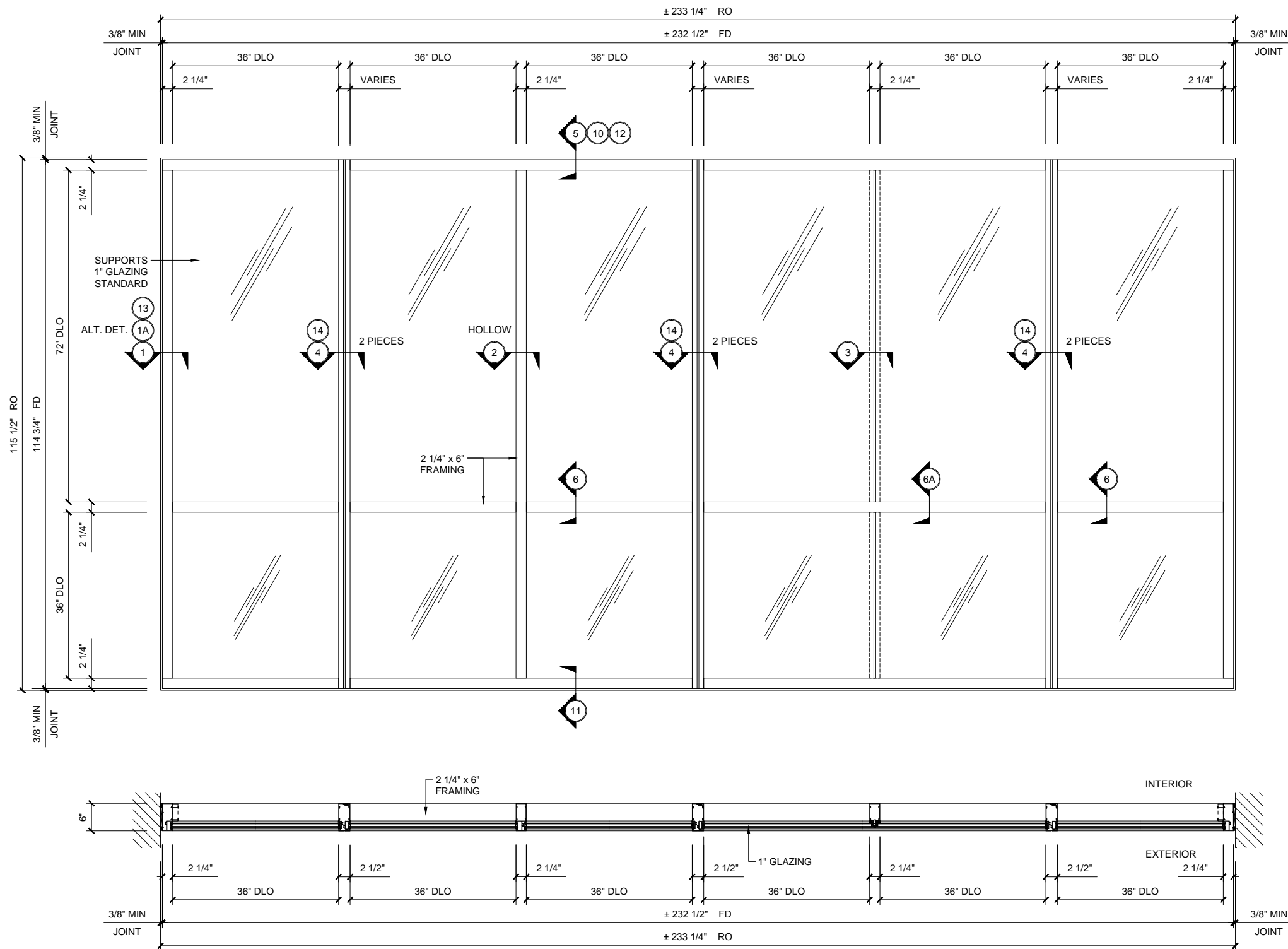
1"=1'-0"

GLASS SIZING NOTE:  
REFERENCE U.S. ALUMINUM  
CATALOGS AND WEBSITE'S  
LOAD CHARTS FOR SIZING  
GUIDELINES.

**TT 601 SERIES SPECIFICATIONS**

The Top Notch Systems offer a shallow face reveal that creates a flush exterior appearance. These systems are designed for labor saving stacking type installations that requires glazing from the interior. Series TN601 and TT601 utilize wedge-type molded corner exterior sponge gaskets for superior air and water performances. Internal water deflectors at intermediate horizontal to vertical intersections allow infiltrated water to be drained into a continuous sill gutter and weeped to the exterior. Vertical mullions for structural silicone glazing are also available. The Top Notch Systems are designed for fixed horizontal window wall or punched opening applications.

2 1/4" x 6" frame  
Full range of accessory components  
Available in an array of architectural coatings and anodized finishes  
Interior Glazed



**STANDARD ABBREVIATIONS**

RO	ROUGH OPENING
FD	FRAME DIMENSION
DLO	DAYLIGHT OPENING
DO	DOOR OPENING
DD	DOOR DIMENSION
SMC	SURFACE MOUNTED CLOSER
OHCC	OVERHEAD CONCEALED CLOSER

Revisions By:



Description:  
U.S. ALUMINUM  
TOP NOTCH SYSTEM  
SERIES TN601 / SERIES TT601  
SYSTEM DRAWINGS

Drawn By: RPD  
Date: 11/14/14  
Scale: AS NOTED  
File Name: TN601-TT601.dwg  
Sheet

TT601.02

**SERIES TT 601 TOP NOTCH SYSTEM  
FIXED HORIZONTAL WINDOW WALL @ INTERSTORY**

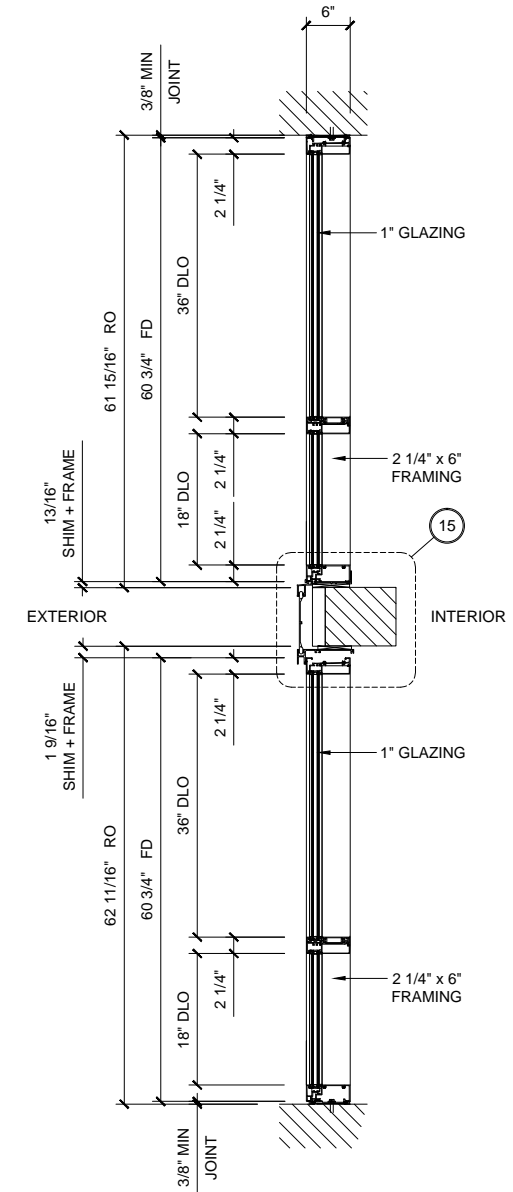
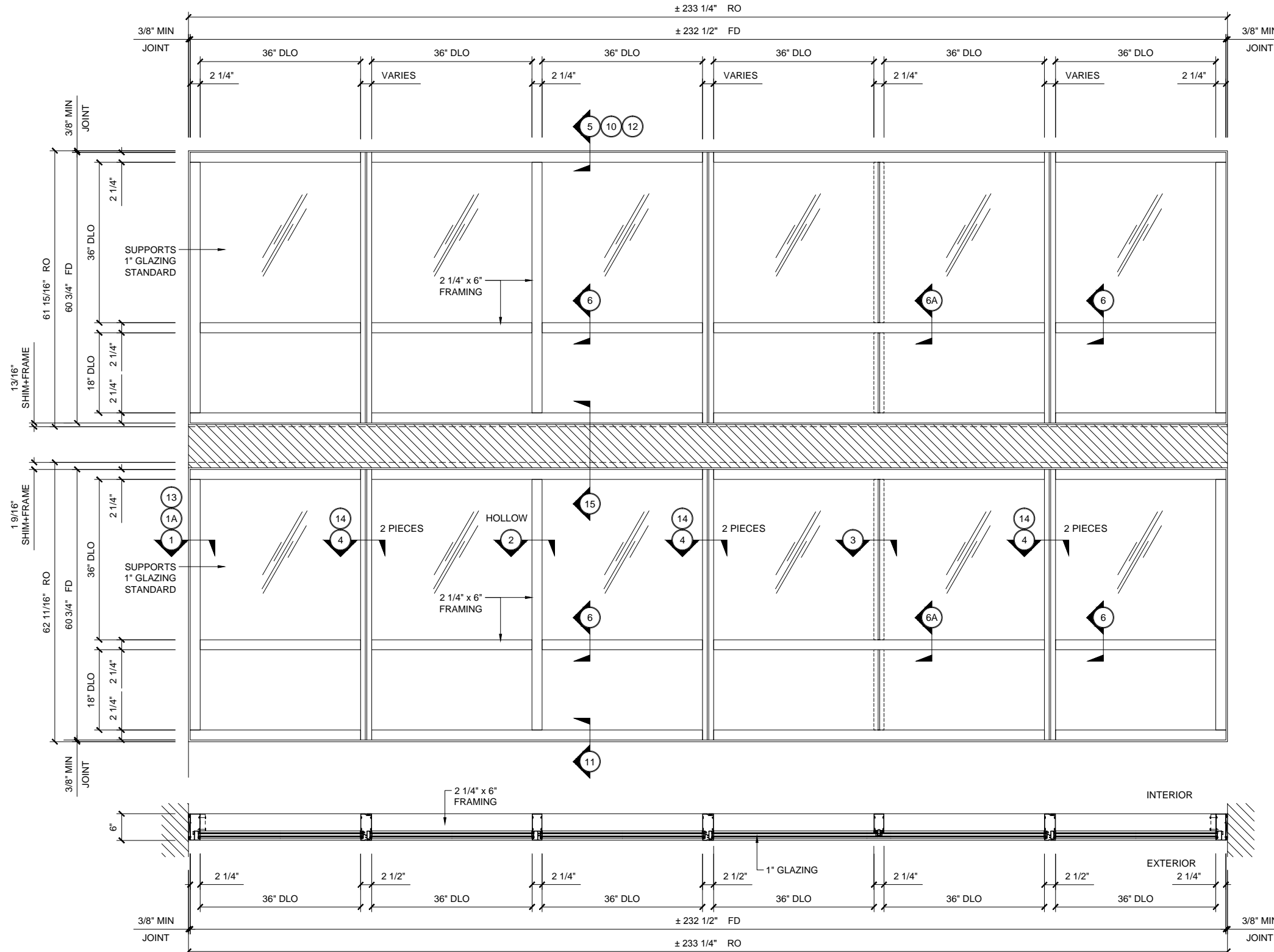
1"=1'-0"

GLASS SIZING NOTE:  
REFERENCE U.S. ALUMINUM  
CATALOGS AND WEBSITE'S  
LOAD CHARTS FOR SIZING  
GUIDELINES.

**TT 601 SERIES SPECIFICATIONS**

The Top Notch Systems offer a shallow face reveal that creates a flush exterior appearance. These systems are designed for labor saving stacking type installations that requires glazing from the interior. Series TN601 and TT601 utilize wedge-type molded corner exterior sponge gaskets for superior air and water performances. Internal water deflectors at intermediate horizontal to vertical intersections allow infiltrated water to be drained into a continuous sill gutter and weeped to the exterior. Vertical mullions for structural silicone glazing are also available. The Top Notch Systems are designed for fixed horizontal window wall or punched opening applications.

2 1/4" x 6" frame  
Full range of accessory components  
Available in an array of architectural coatings and anodized finishes  
Interior Glazed



**STANDARD ABBREVIATIONS**

- RO ROUGH OPENING
- FD FRAME DIMENSION
- DLO DAYLIGHT OPENING
- DO DOOR OPENING
- DD DOOR DIMENSION
- SMC SURFACE MOUNTED CLOSER
- OHCC OVERHEAD CONCEALED CLOSER

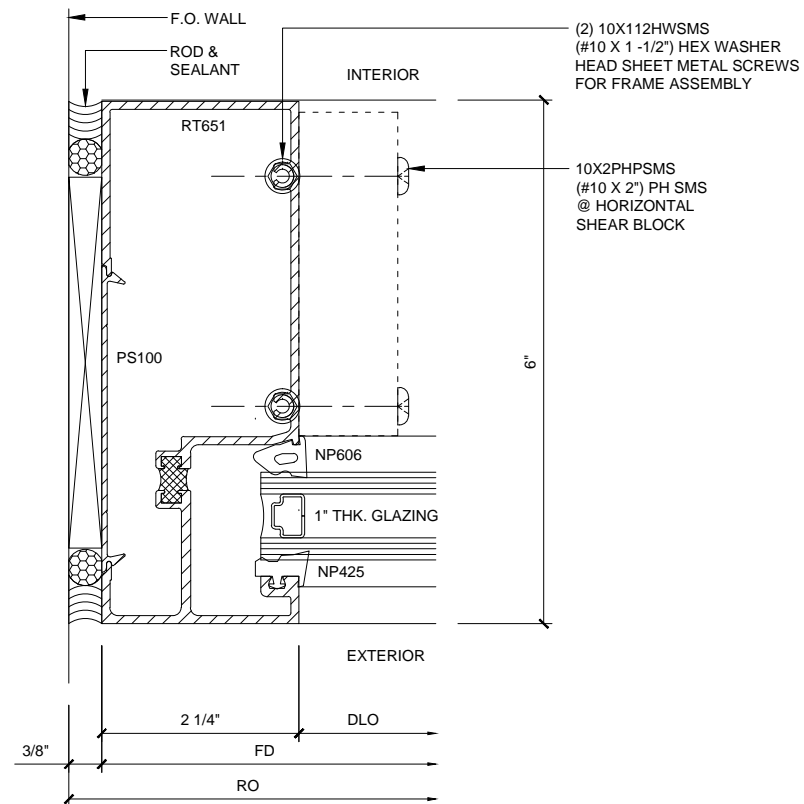
Revisions By:



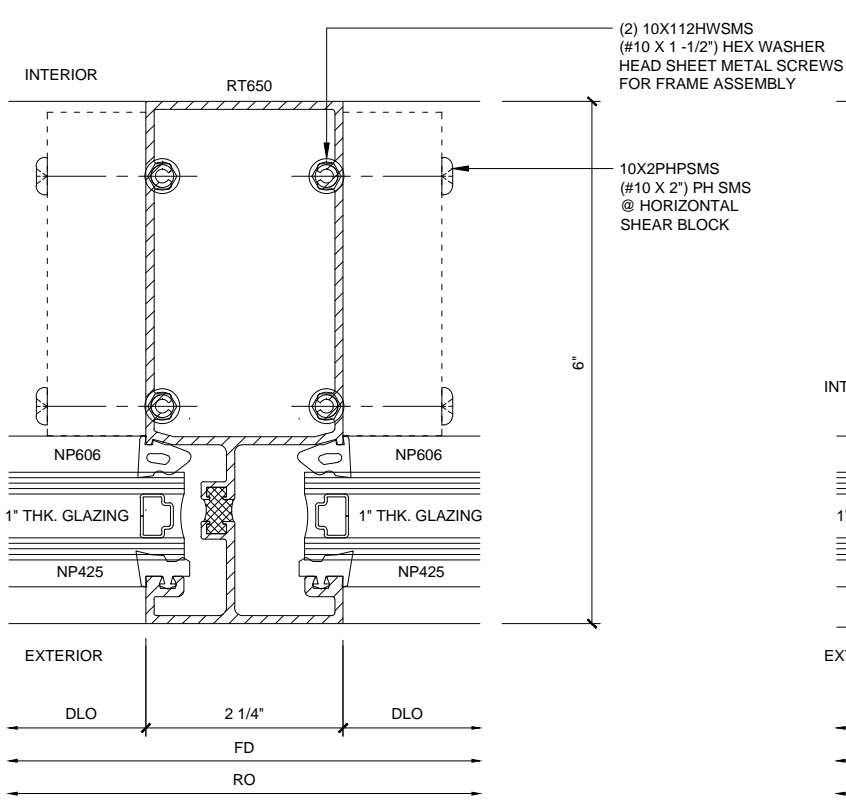
U.S. ALUMINUM  
TOP NOTCH SYSTEM  
SERIES TN601 / SERIES TT601  
SYSTEM DRAWINGS

Drawn By: RPD  
Date: 11/14/14  
Scale: AS NOTED  
File Name: TN601-TT601.dwg  
Sheet

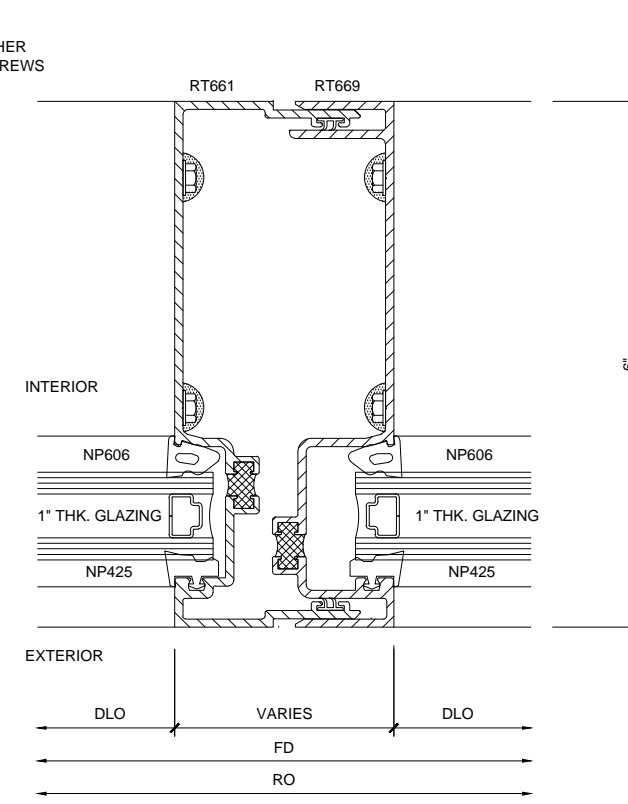
**TT601.03**



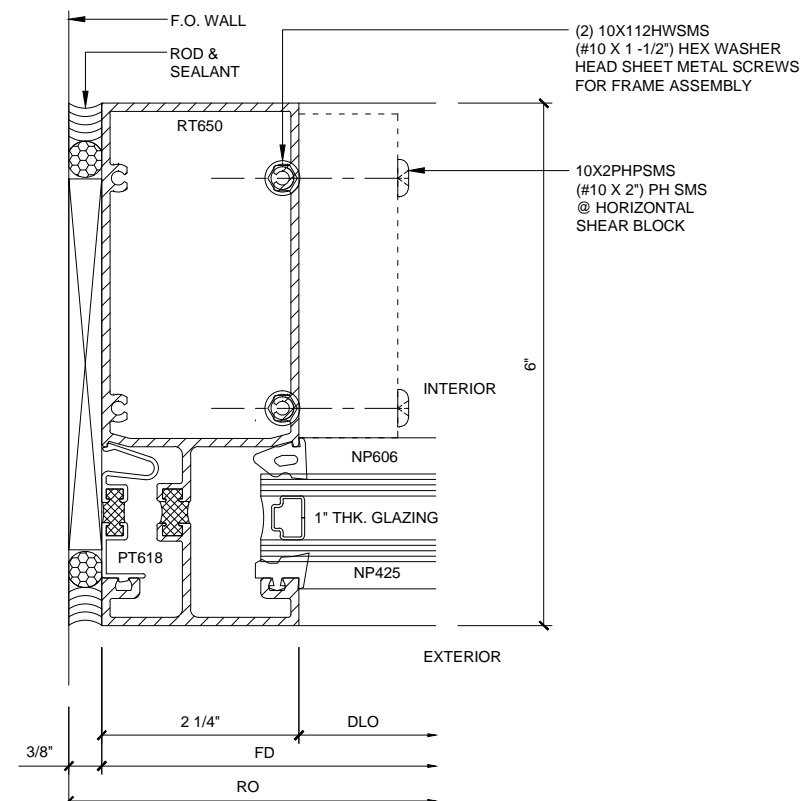
**JAMB SECTION 1**



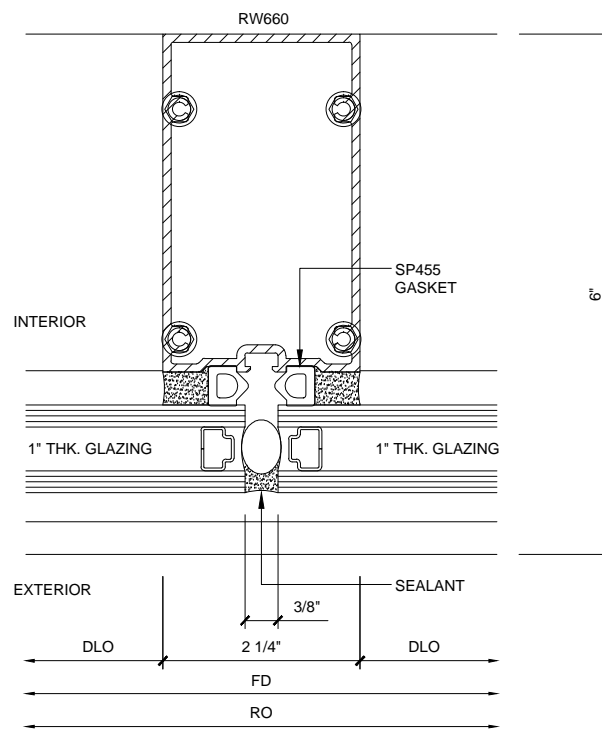
**INT. VERT. SECTION 2**



**INT. VERT. SECTION 4**



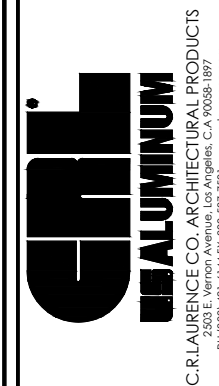
**OPTIONAL WALL JAMB SECTION 1A**  
ALTERNATE DETAIL



**INT. VERT. SECTION 3**

**WINDOW WALL SERIES TT601 TOP NOTCH SYSTEM**  
WITH THERMALLY BROKEN PARTS

1'-0" = 1'-0"

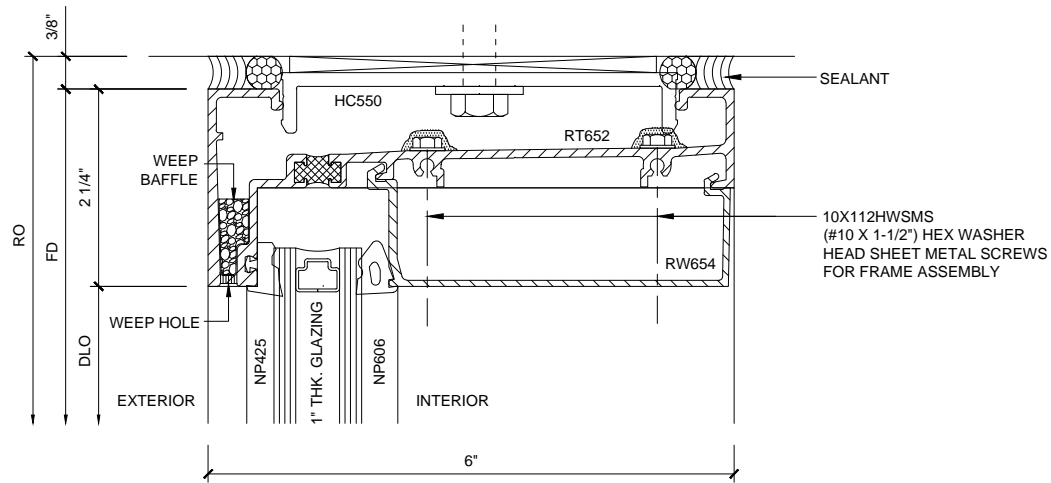


C.R. LAURENCE CO. ARCHITECTURAL PRODUCTS  
2503 E. Verron Avenue, Los Angeles, CA 90058-1897  
PH (800)-421-6144 FX (800)-587-7501 www.crlaurence.com

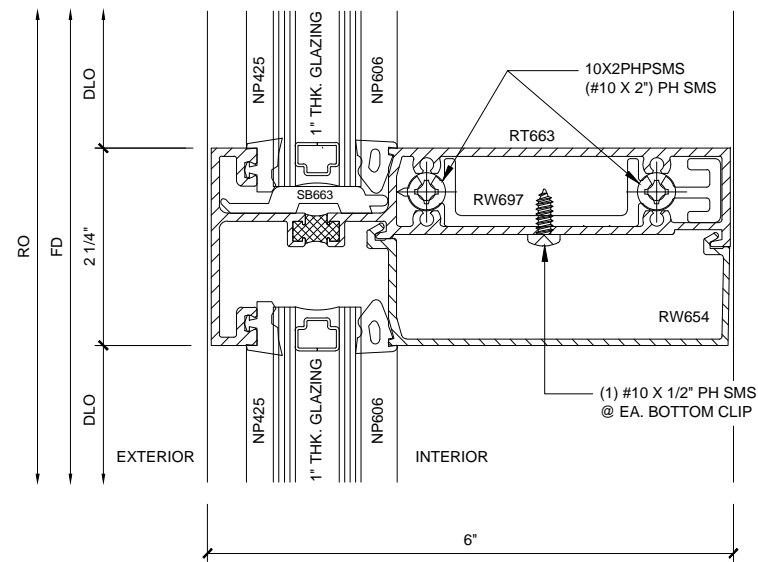
U.S. ALUMINUM  
TOP NOTCH SYSTEM  
SERIES TN601 / SERIES TT601  
SYSTEM DRAWINGS

Drawn By: RPD  
Date: 11/14/14  
Scale: AS NOTED  
File Name: TN601-TT601.dwg  
Sheet

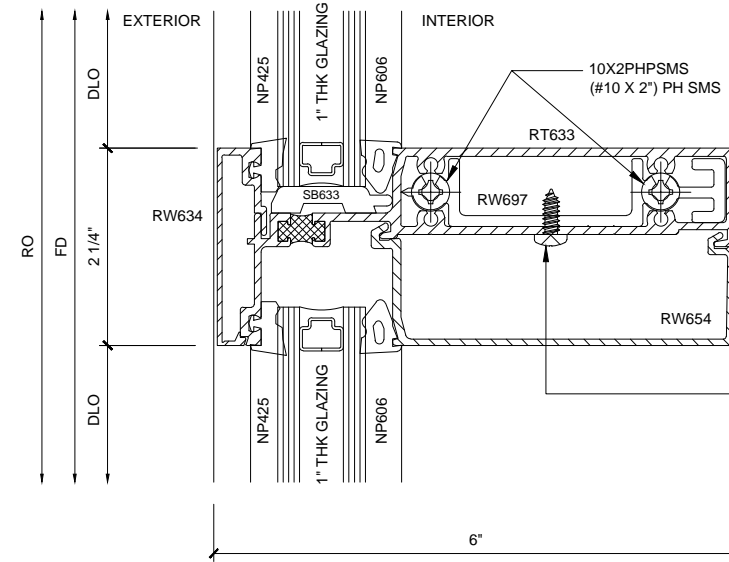
TT601.04



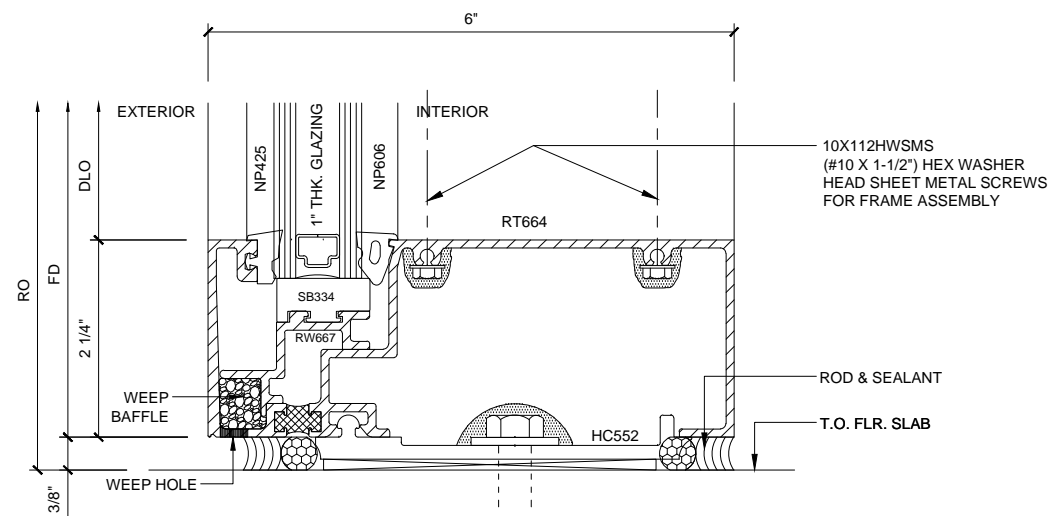
**HEAD SECTION 5**



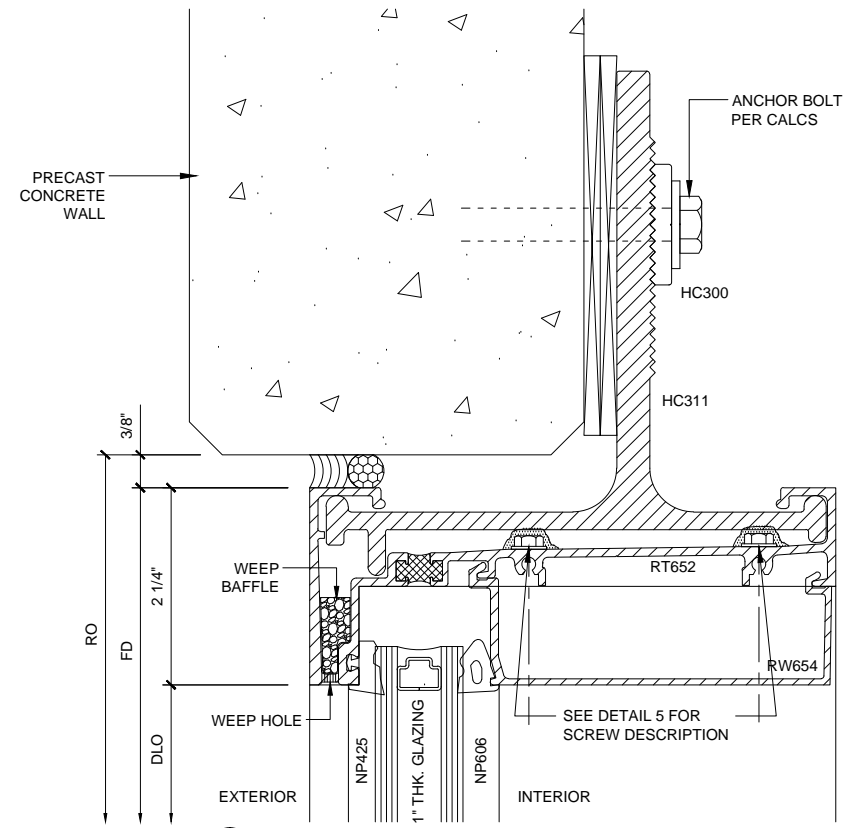
**INT. HOR. SECTION 6**



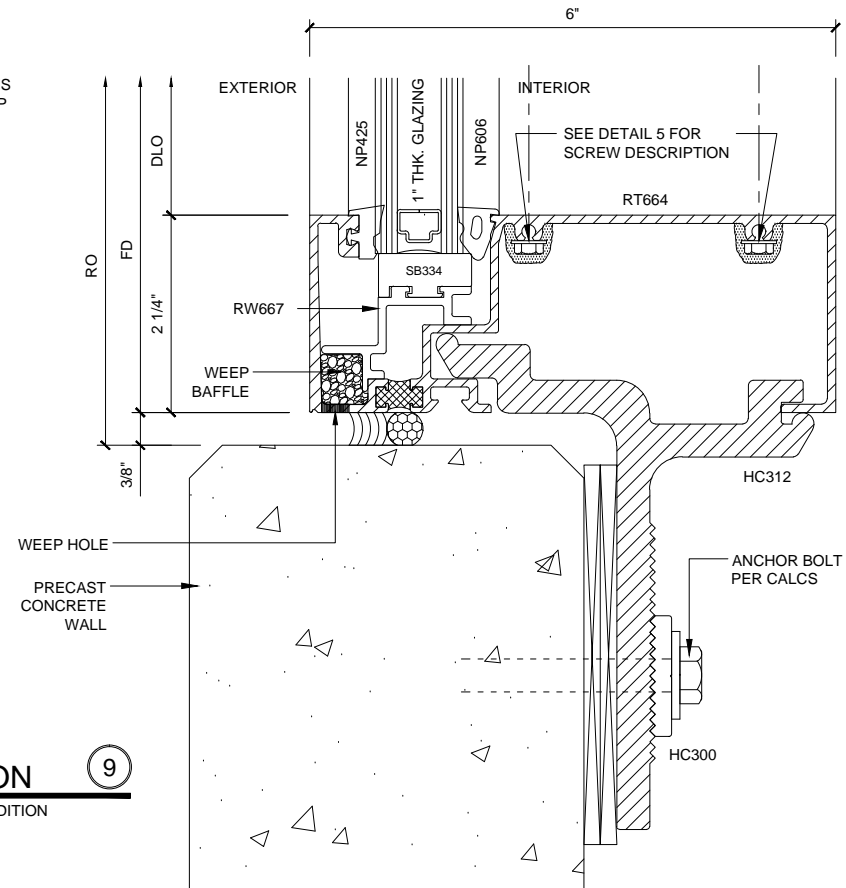
**INT. HOR. SECTION 6A**  
FOR STRUCTURAL SILICONE GLAZING



**SILL SECTION 7**



**HEAD SECTION 8**  
PRECAST ANCHOR CONDITION



**SILL SECTION 9**  
PRECAST ANCHOR CONDITION

**WINDOW WALL SERIES TT601 TOP NOTCH SYSTEM**  
WITH THERMALLY BROKEN PARTS

1'-0" = 1'-0"

Revisions By:

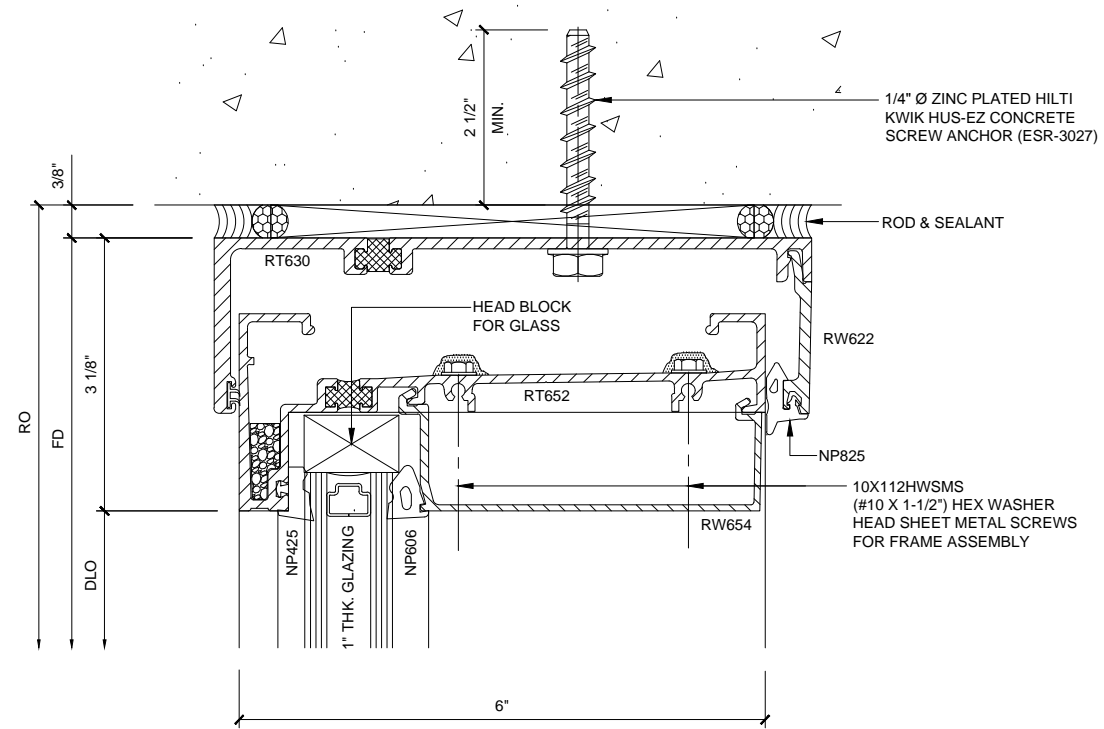


C.R. LAURENCE CO. ARCHITECTURAL PRODUCTS  
2503 E. Verron Avenue, Los Angeles, CA 90058-1897  
PH (800)-421-6144 FX (800)-587-7501 www.crlaurence.com

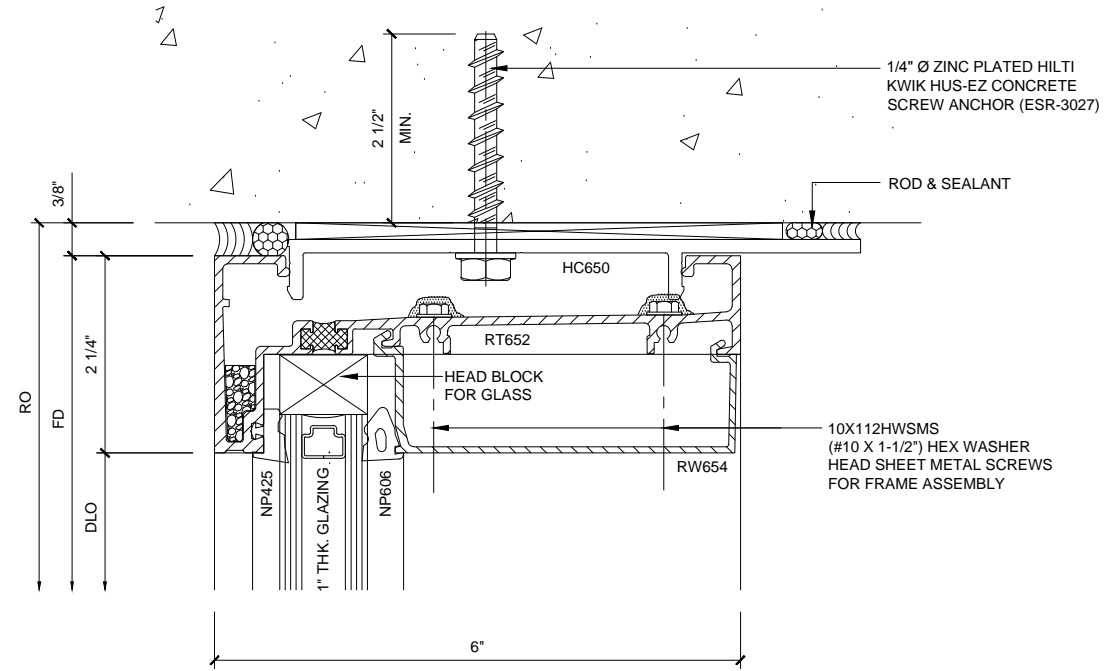
U.S. ALUMINUM  
TOP NOTCH SYSTEM  
SERIES TN601 / SERIES IT601  
SYSTEM DRAWINGS

Drawn By: RPD  
Date: 11/14/14  
Scale: AS NOTED  
File Name: TN601-TT601.dwg  
Sheet

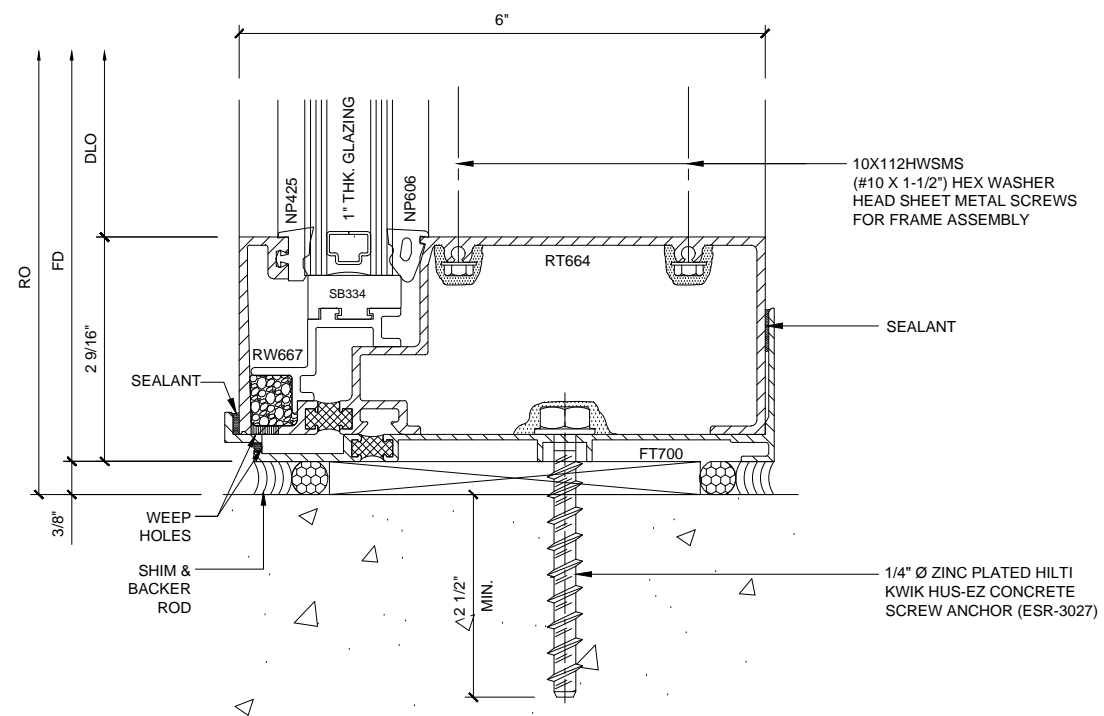
TT601.05



**HEAD SECTION 10**  
WITH RECEIVER



**HEAD SECTION 12**



**SILL SECTION 11**  
AT BALCONIES

**WINDOW WALL SERIES TT601 TOP NOTCH SYSTEM**  
WITH THERMALLY BROKEN PARTS

1'-0" = 1'-0"

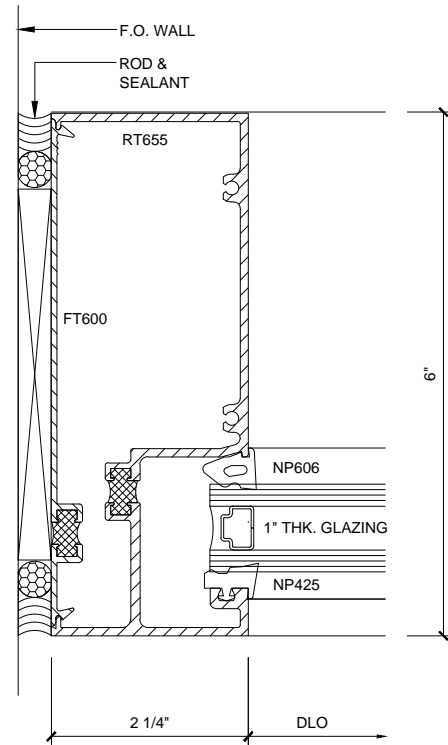
Revisions By:

**U.S. ALUMINUM**  
C.R. LAURENCE CO. ARCHITECTURAL PRODUCTS  
2503 E. Verron Avenue, Los Angeles, CA 90058-1897  
PH (800)-421-6144 FX (800)-587-7501 www.crlaurence.com

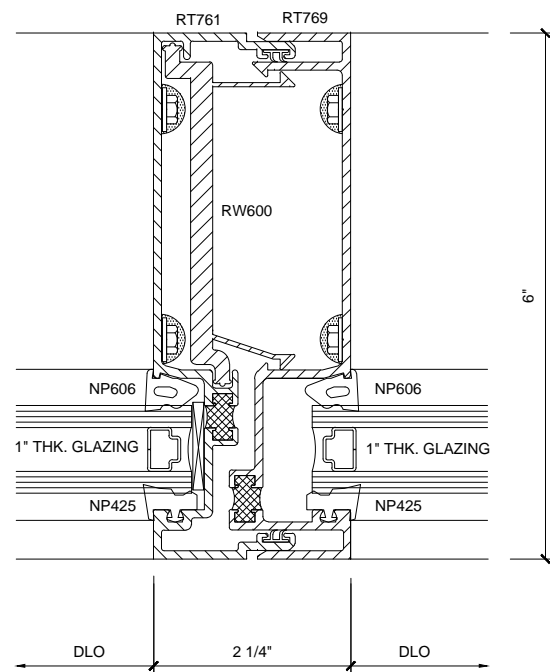
U.S. ALUMINUM  
TOP NOTCH SYSTEM  
SERIES TN601 / SERIES TT601  
SYSTEM DRAWINGS

Drawn By: RPD  
Date: 11/14/14  
Scale: AS NOTED  
File Name: TN601-TT601.dwg  
Sheet

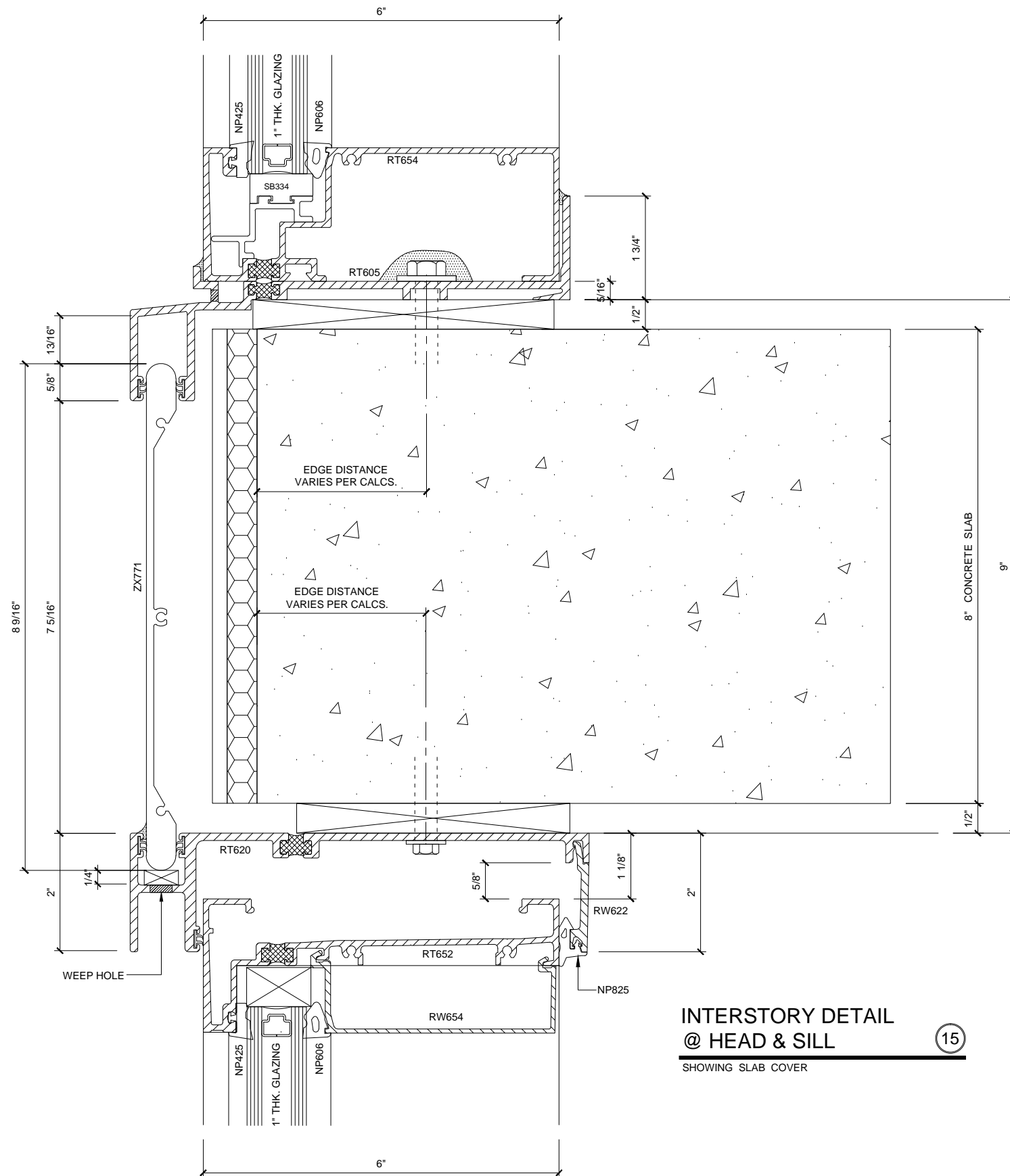
TT601.06



**JAMB SECTION** 13



**INT. VERT. SECTION** 14



**INTERSTORY DETAIL @ HEAD & SILL** 15  
SHOWING SLAB COVER

**WINDOW WALL SERIES TT601 TOP NOTCH SYSTEM**  
WITH THERMALLY BROKEN PARTS

1'-0" = 1'-0"

Revisions By:



C.R. LAURENCE CO. ARCHITECTURAL PRODUCTS  
2503 E. Verron Avenue, Los Angeles, CA 90058-1897  
PH (800)-421-6144 FX (800)-587-7501 www.crlaurence.com

Description:

U.S. ALUMINUM  
TOP NOTCH SYSTEM  
SERIES TN601 / SERIES TT601  
SYSTEM DRAWINGS

Drawn By: RPD

Date: 11/14/14

Scale: AS NOTED

File Name: TN601-TT601.dwg

Sheet

TT601.07