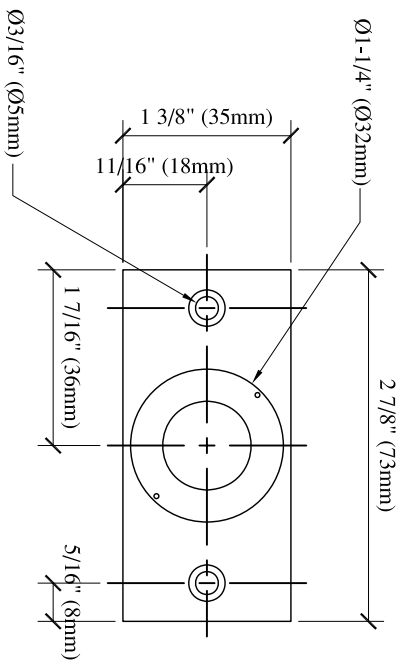


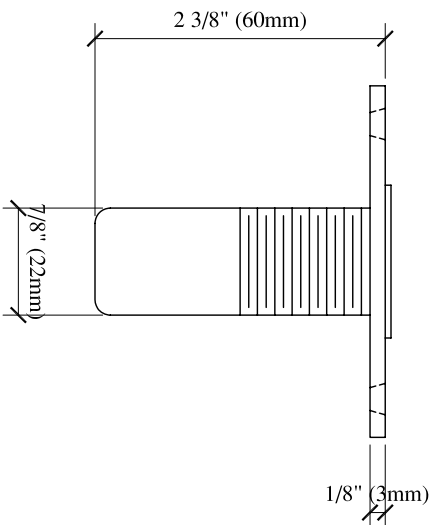
DUSTPROOF KEEPER/PLATE

TOP VIEW



SPECIFICATIONS:
FOR USE WITH:
 PATCH LOCK OR CRL DOOR RAILS
 FINISHES: POLISHED STAINLESS, BRASS OR BRUSHED NICKEL
FABRICATION REQUIRED:
 1" (25MM) DIAMETER HOLE DRILLED IN
 FLOOR AND 2 SCREWS ANCHORS HOLES
 ACCEPTS: 15/32" (12MM) PLUNGER

SIDE VIEW



CRL
 C.R. LAURENCE CO. ®
 ARCHITECTURAL PRODUCTS
 2503 E. Vernon Avenue, Los Angeles, CA 90058-1897
 PH (800) 421-6144 FAX (800) 262-3299
 www.crlaurence.com

COMMERCIAL HARDWARE

CAT. NO:	AMR208		
PRODUCT:	DUSTPROOF KEEPER PLATE		
DRAWN BY:	A. J. V.	SCALE:	N/S
DATE:	06/01/06		