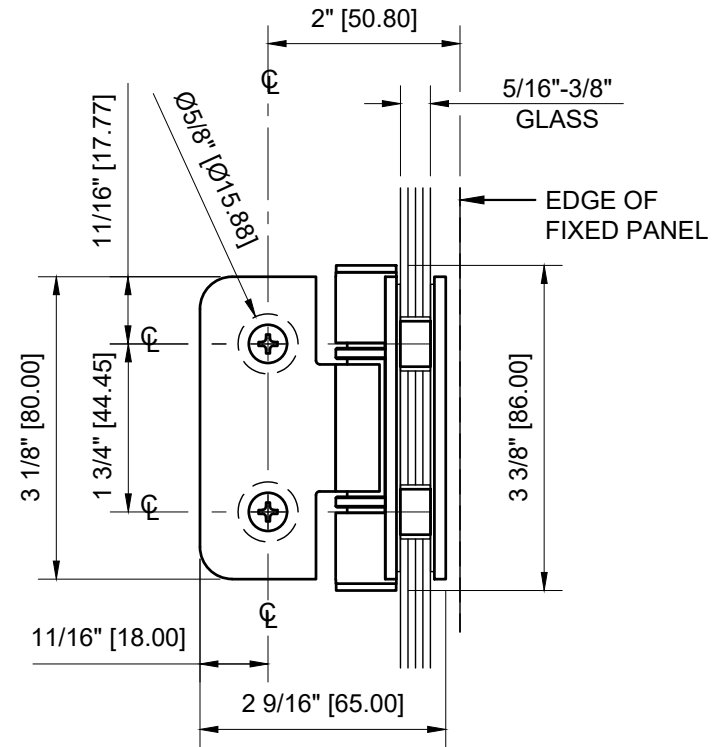
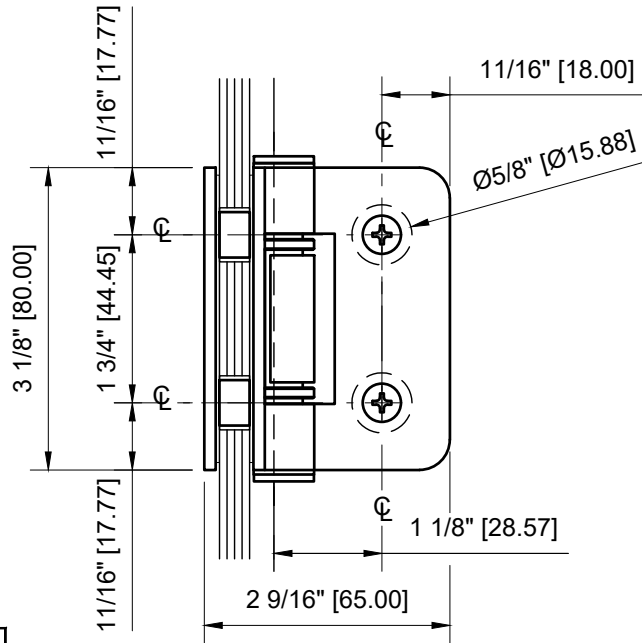
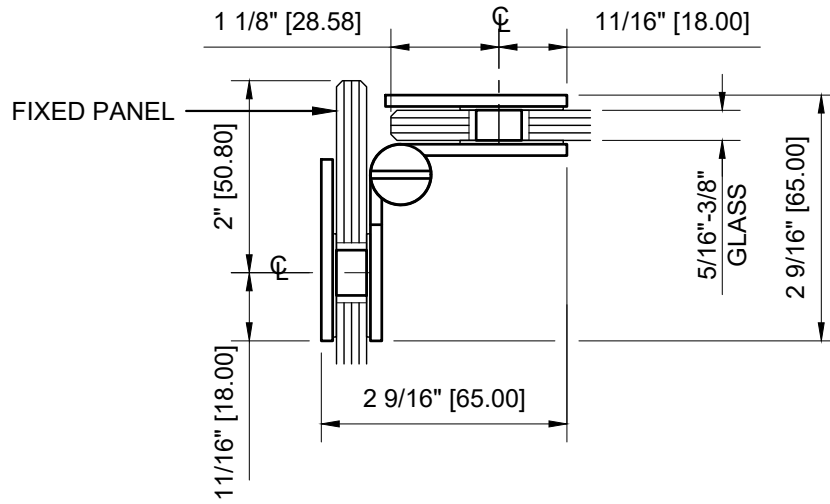


USE OF GASKETS
 FOR 5/16" (8mm) GLASS: USE ONE THICK GASKET ON EACH SIDE
 FOR 3/8" (10mm) GLASS: USE ONE THIN GASKET ON EACH SIDE



ZUR04XX - CRL ZURICH SERIES GLASS TO GLASS MOUNT 90° IN-SWING HINGE

CATALOG NUMBER	FINISH
ZUR04PS	POLISHED STAINLESS
ZUR04BR	POLISHED BRASS
ZUR04GP	GOLD PLATE
ZUR04SS	BRUSHED STAINLESS

DATE: 9/9/19
 SCALE: 6"=1'-0"
 DRAWN BY: VM

DESCRIPTION: CRL ZURICH SERIES HINGE
 ZUR04 - GLASS TO GLASS MOUNT
 90 DEGREE IN-SWING HINGE

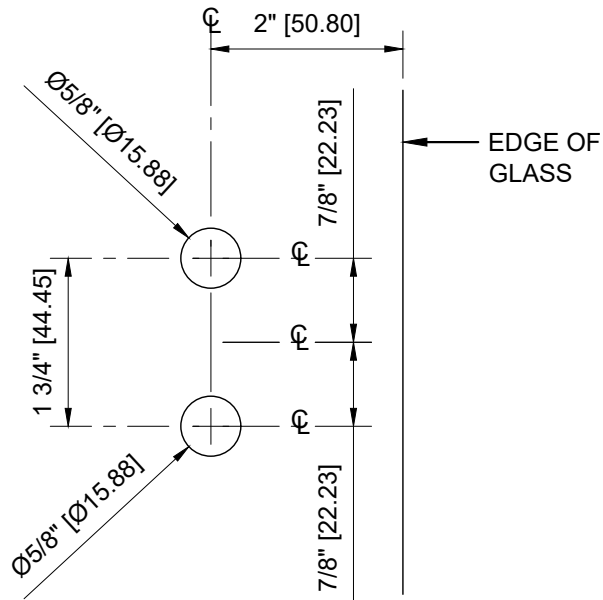
C.R.LAURENCE CO. ARCHITECTURAL PRODUCTS
 2503 E. Vernon Avenue, Los Angeles, CA 90058-1897
 PH (800)-421-6144 FX: 800-587-7501 www.crlaurence.com



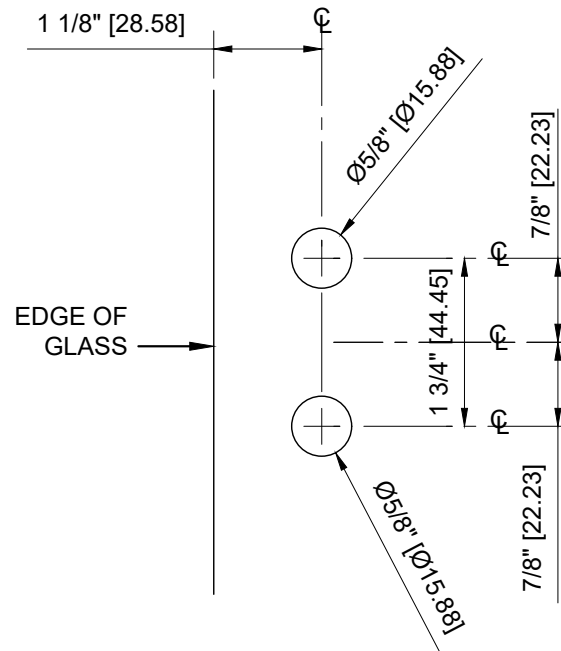
USE OF GASKETS

FOR 5/16" (8mm) GLASS: USE ONE THICK GASKET ON EACH SIDE

FOR 3/8" (10mm) GLASS: USE ONE THIN GASKET ON EACH SIDE



FIXED PANEL "A"
GLASS FABRICATION TEMPLATE



DOOR PANEL "B"
GLASS FABRICATION TEMPLATE

CATALOG NUMBER	FINISH
ZUR04PS	POLISHED STAINLESS
ZUR04BR	POLISHED BRASS
ZUR04BN	BRUSHED NICKEL
ZUR04GP	GOLD PLATE
ZUR04PN	POLISHED NICKEL
ZUR04SS	BRUSHED STAINLESS

ZUR04XX - CRL ZURICH SERIES GLASS TO GLASS MOUNT 90° IN-SWING HINGE

DATE: 9/9/19
SCALE: 6"=1'-0"
DRAWN BY: VM

DESCRIPTION: CRL ZURICH SERIES HINGE
ZUR04 - GLASS TO GLASS MOUNT
90 DEGREE IN-SWING HINGE

C.R. LAURENCE CO. ARCHITECTURAL PRODUCTS
2503 E. Vernon Avenue, Los Angeles, CA 90058-1897
PH (800)-421-6144 FX: 800-587-7501 www.crlaurence.com

