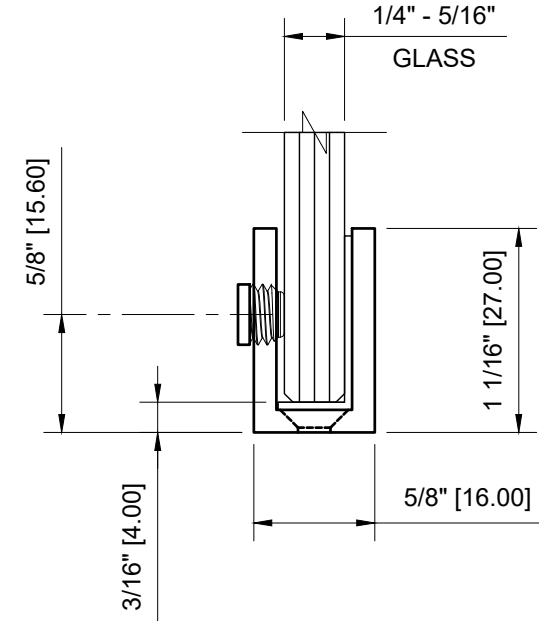
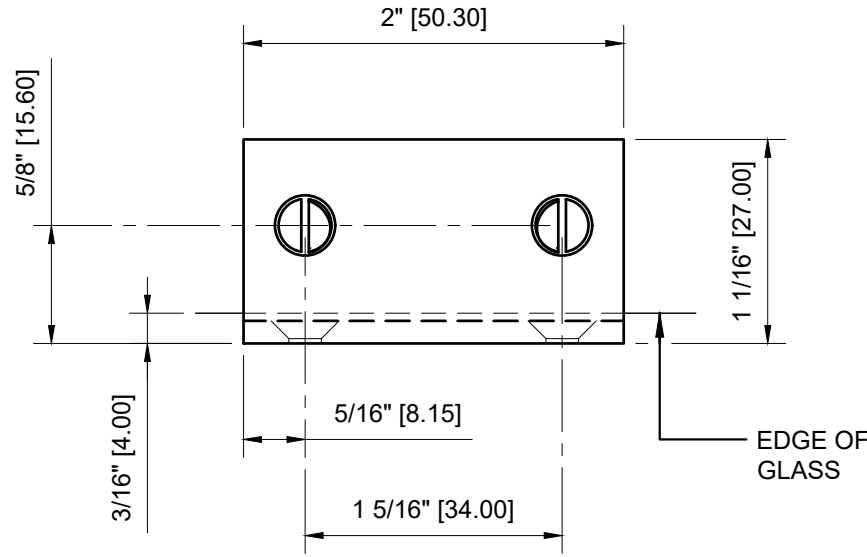
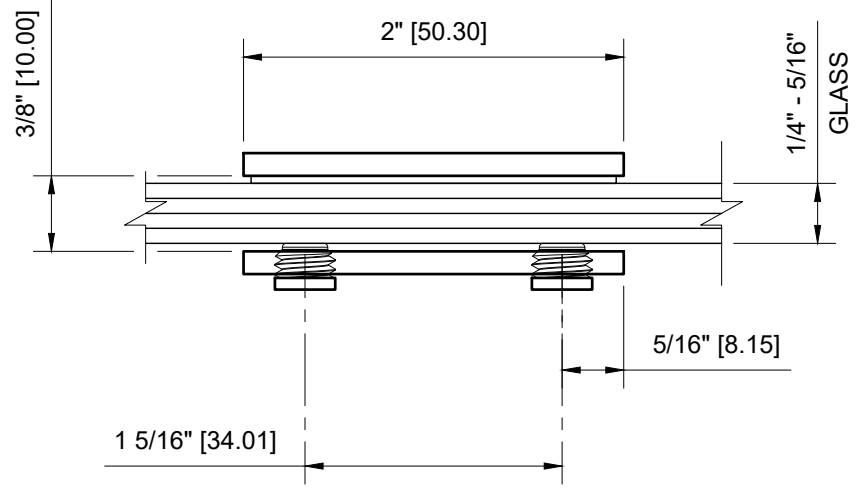


1/4" (6mm) GLASS:  
 5/16" (8mm) GLASS:



**CRL - EH39 BRUSHED NICKEL LONG SET SCREW CLAMP  
 RECTANGULAR SHELF CLAMPS FOR 1/4" TO 5/16" GLASS**

DATE: 3-19-2020  
 SCALE: 1'-0"=1'-0"  
 DRAWN BY: VM

DESCRIPTION: CRL - EH39 BRUSHED NICKEL  
 RECTANGULAR SHELF LONG SET SCREW CLAMP

C.R. LAURENCE CO. ARCHITECTURAL PRODUCTS  
 2503 E. Vernon Avenue, Los Angeles, CA 90058-1897  
 PH (800)-421-6144 FX: 800-587-7501 www.crlaurence.com

