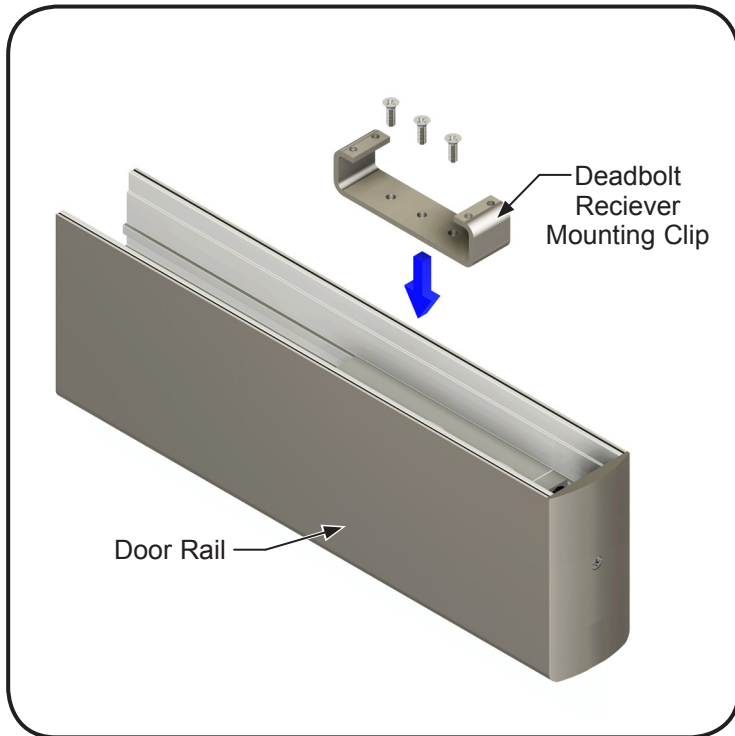
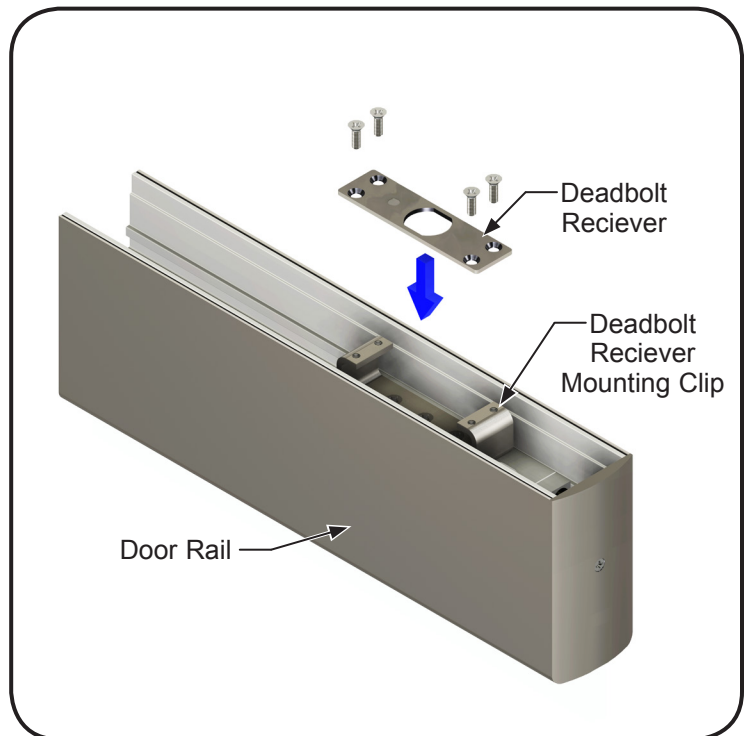


INSTALLATION INSTRUCTIONS

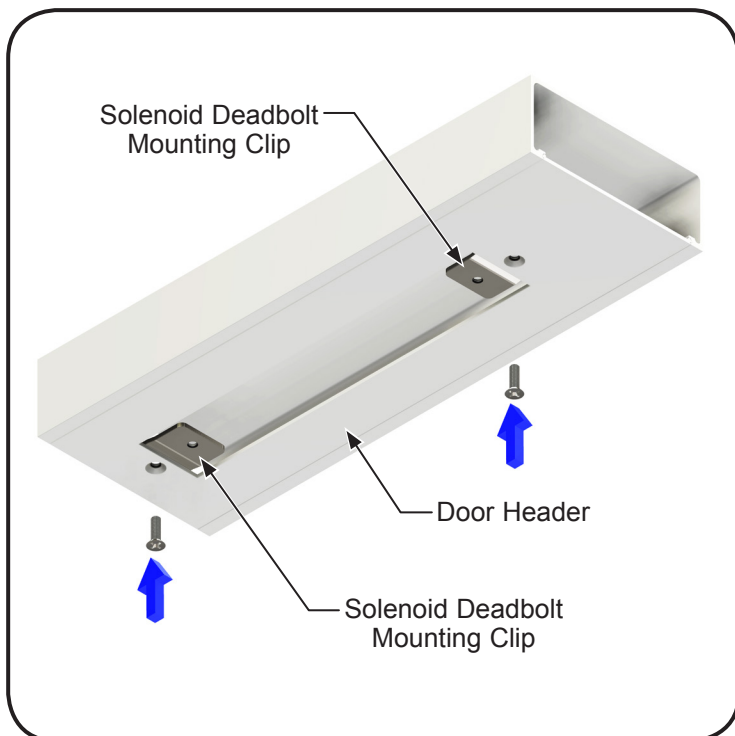
CRL MLEDB1 ELECTRIC SOLENOID DEADBOLT



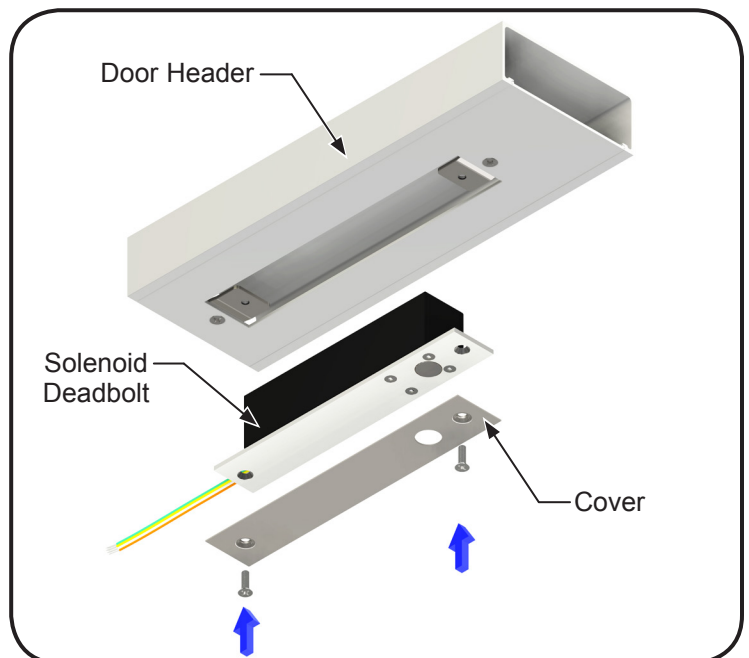
1. Attach the Deadbolt Receiver Mounting Clip to the Door Rail.



2. Attach the Deadbolt Receiver on to the Mounting Clip.



3. Attach the Solenoid Deadbolt Mounting Clips to the Door Header.



4. Properly wire the Solenoid Deadbolt according to the function required. Insert the Solenoid Deadbolt into the Header, secure the Deadbolt and Cover to the Mounting Clips.

VOLTAGE: 12 or 24 VDC
 RED: positive (+)
 BLACK: Ground (-)

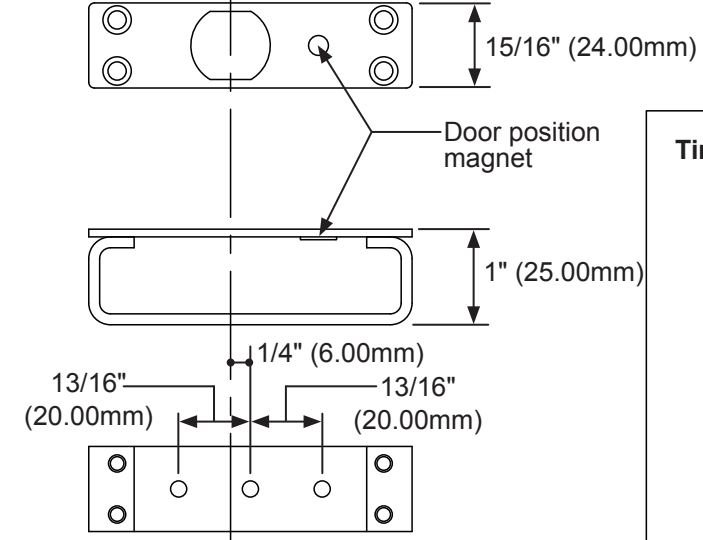
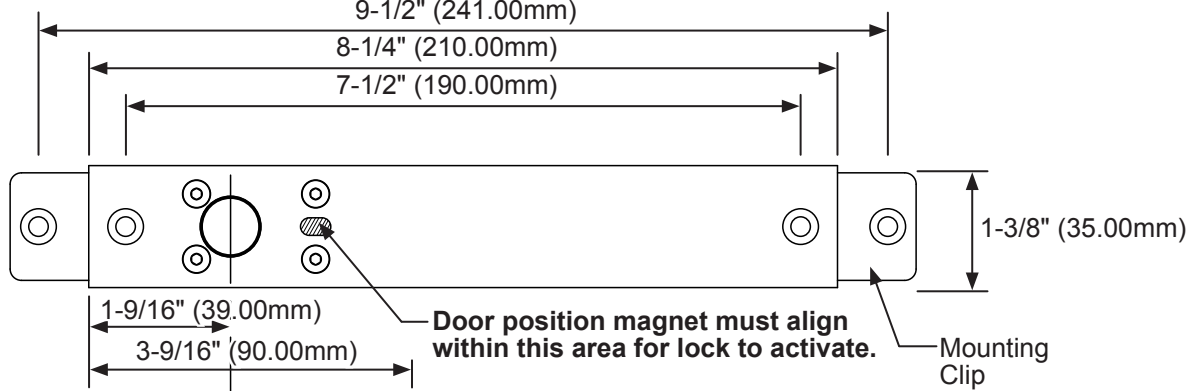
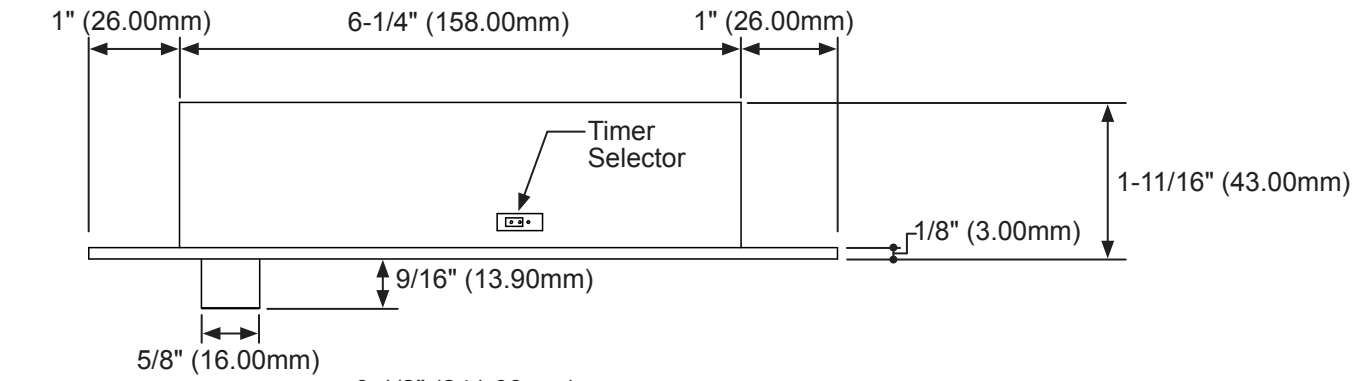
CURRENT: Standby 0.16 A/12VDC. 0.09A/24VDC

LOCK SENSOR: Indicates Bolt Locked or Unlocked
 BLUE: Normally Open
 WHITE: Common
 YELLOW: Normally Closed

SWITCH DATA: SPDT 1.0 A/30VDC

DOOR SENSOR: Indicates Door Open or Closed
 GREEN: Normally Open
 GRAY: Common
 ORANGE: Normally Closed

SWITCH DATA: 0.5A/30VDC



Timer Selection: Factory default 0 sec.

0 sec.
 3 sec.
 5 sec.