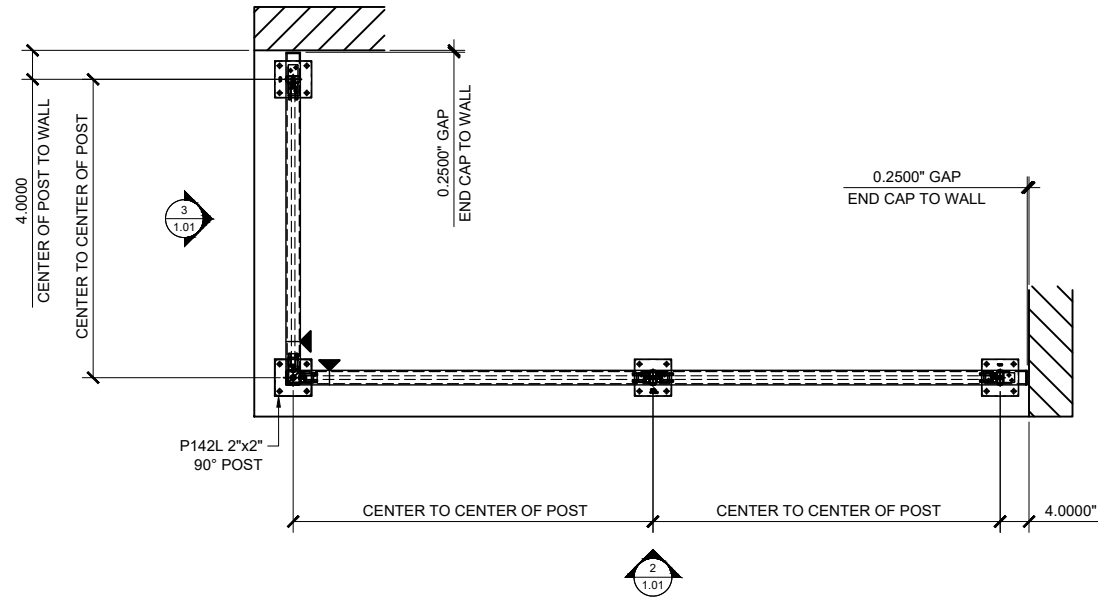


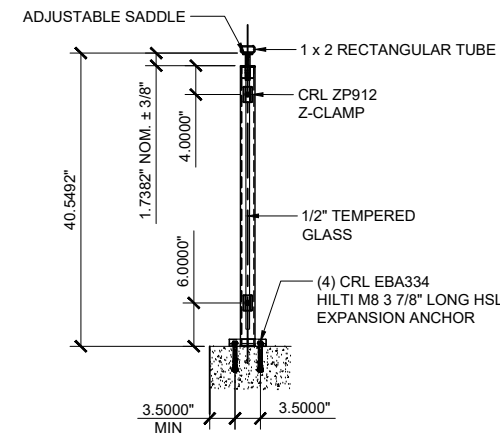
CRL P9 SERIES POST RAILING SYSTEM

- * ACCEPTS 1/2" TO 9/16" TEMPERED GLASS
- * 1" x 2" RECTANGULAR STAINLESS STEEL TUBE RAILING
- * 42" STANDARD POST HEIGHT WITH CUSTOM HEIGHTS AVAILABLE
- * FINISHES: BRUSHED STAINLESS STEEL, POLISHED STAINLESS STEEL
- * VERTICALLY ADJUSTABLE TOP SADDLE

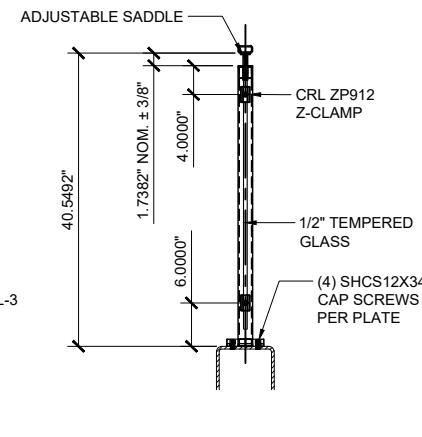


1 TYPICAL PLAN VIEW
1"=1'-0"

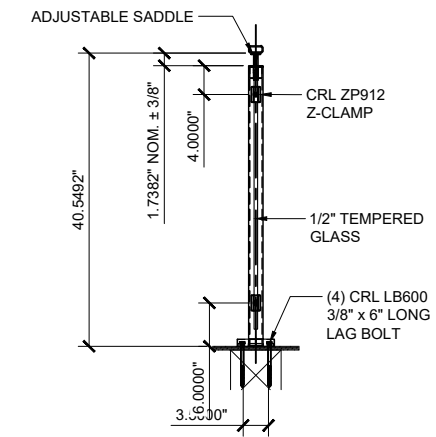
ARCH. REF.: N/A



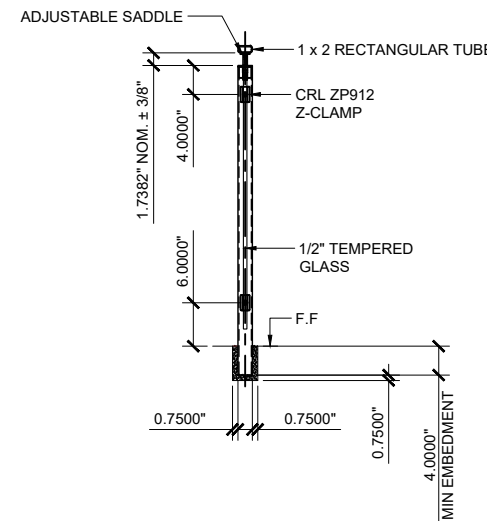
CONCRETE MOUNT
1"=1'-0"



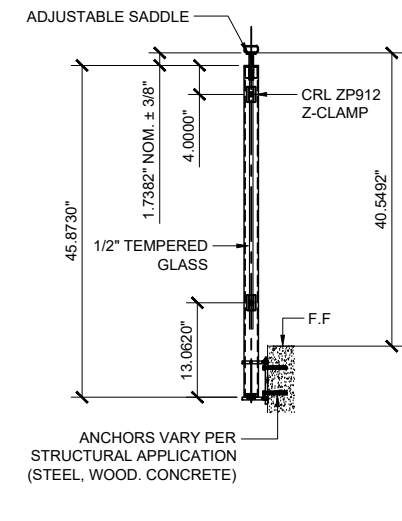
STEEL MOUNT
1"=1'-0"



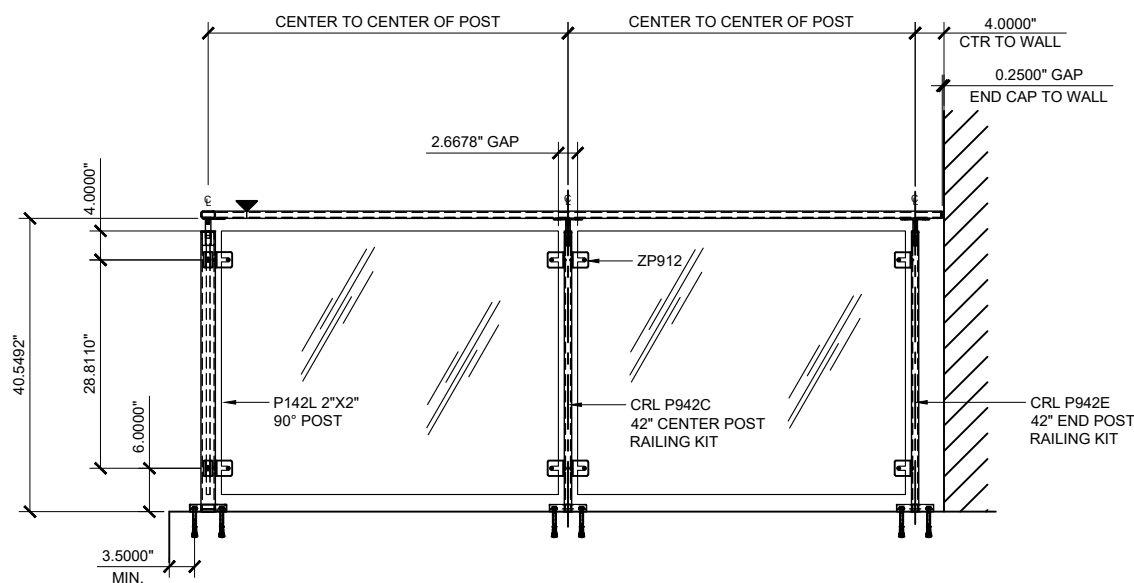
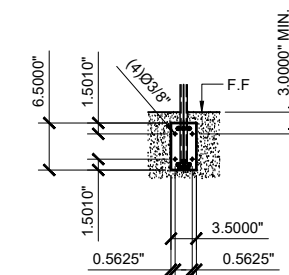
WOOD MOUNT
1"=1'-0"



CORE MOUNT
1"=1'-0"

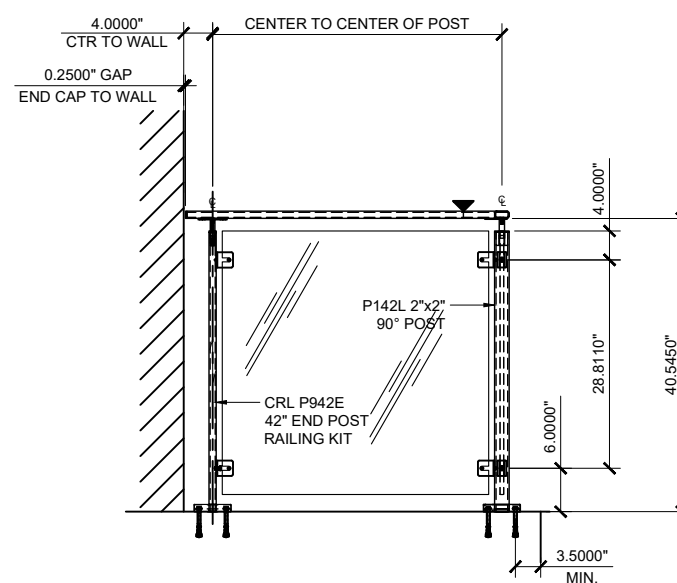


FASCIA MOUNT
1"=1'-0"



2 ELEVATION
1"=1'-0"

ARCH. REF.: N/A



3 ELEVATION
1"=1'-0"

ARCH. REF.: N/A

STRUCTURAL DISCLAIMER:

ALL CUSTOMERS WHO IN ANY WAY UTILIZE THIS PRODUCT ARE SOLELY RESPONSIBLE TO CONSULT A STRUCTURAL ENGINEER TO DETERMINE THE SUITABILITY OF THE PRODUCT FOR THE INTENDED USE AND SITE CONDITIONS. ALL INSTALLERS MUST BE QUALIFIED AND HAVE PROFESSIONAL KNOWLEDGE ABOUT COMPLIANCE WITH LOCAL, STATE AND FEDERAL REGULATIONS, SAFETY FACTORS, AND THE APPROPRIATE CHOICE OF FIXING MATERIAL AND PROCEDURES

Revisions By:
01/17/20 - JRM

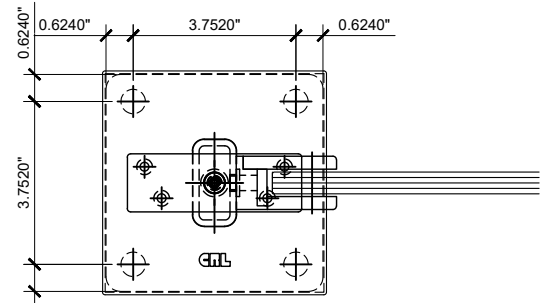
CRL

2503 E. Vernon Avenue, Los Angeles, CA 90058-1897
PH: (800)-421-8144 FX: 800-587-7501 www.crlaurence.com

Description:
CRL P9 SERIES
POST RAILING SYSTEM

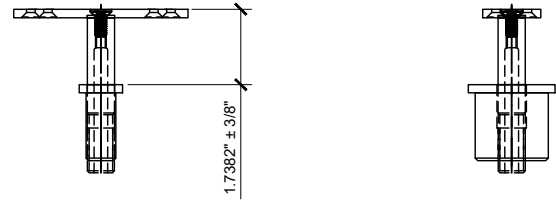
Drawn By: JRM
Date: 03/04/2019
Scale: AS NOTED
File Name: SYS007U P9 Series Post Railing System

Sheet
1.01



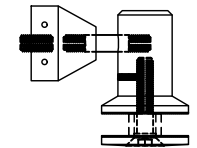
ZCLAMP / FLANGE

SCALE: 6"=1'-0"



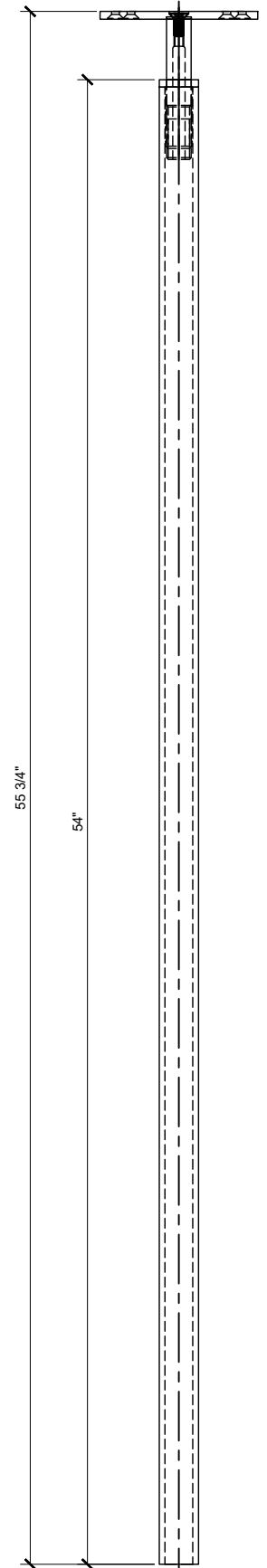
P9VF W/ PFS1-1N FIXED SADDLE

SCALE: 6"=1'-0"



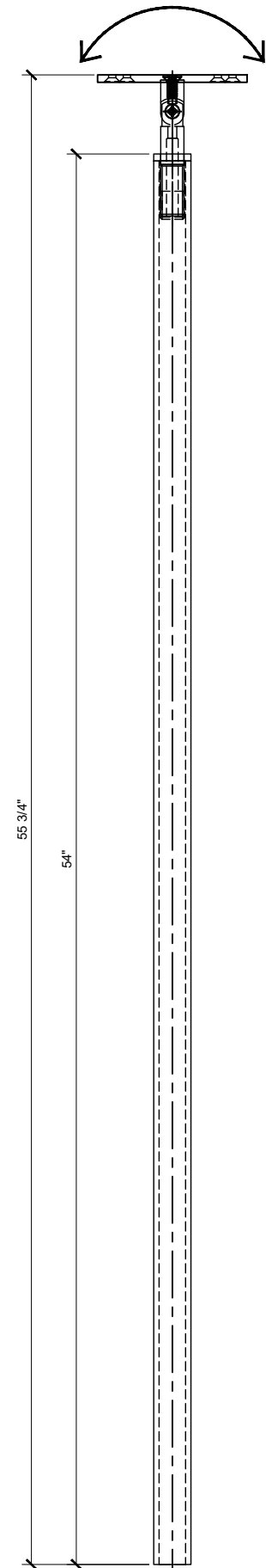
RB50F FIXED FITTING

SCALE: 6"=1'-0"



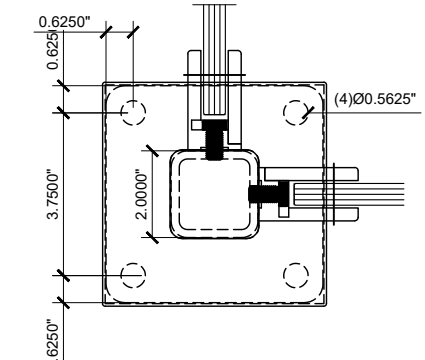
P9BPF - BLANK POST

SCALE: 6"=1'-0"



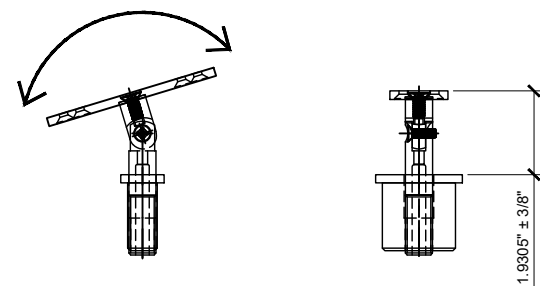
P9BPS - BLANK POST

SCALE: 6"=1'-0"



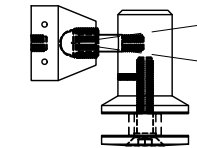
ZCLAMP / FLANGE - P1 90° POST

SCALE: 6"=1'-0"



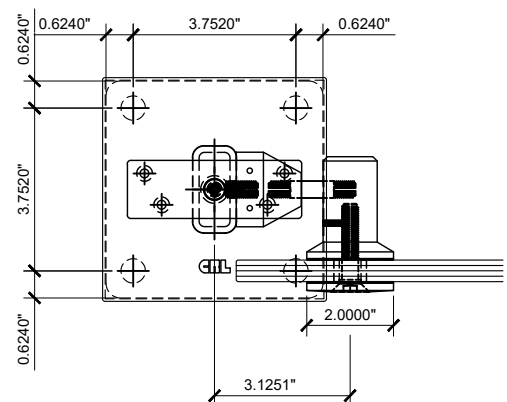
P9VS W/ PFS1-1N SWIVEL SADDLE

SCALE: 6"=1'-0"



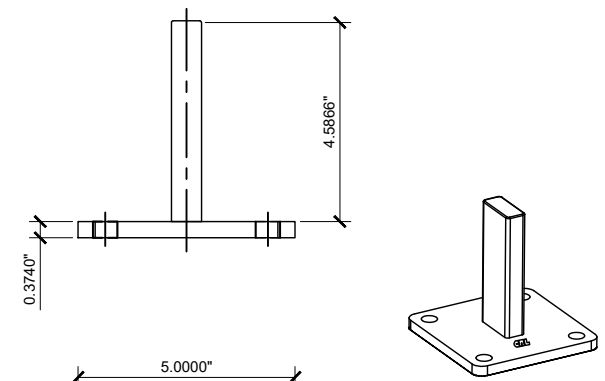
RB50S SWIVEL FITTING

SCALE: 6"=1'-0"



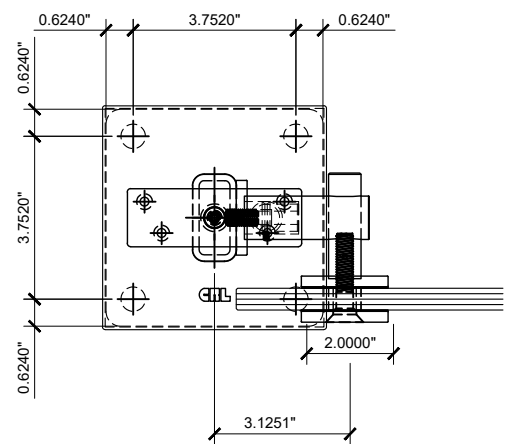
RB50F FIXED FITTING / FLANGE

SCALE: 6"=1'-0"



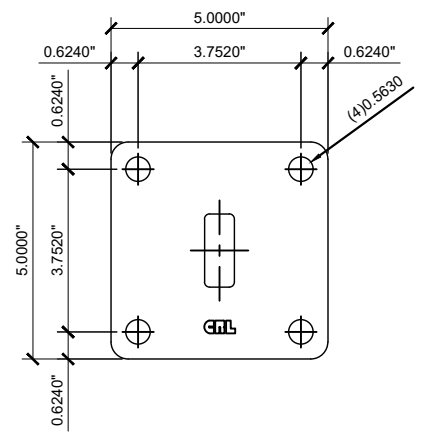
RB51F FIXED FITTING

SCALE: 6"=1'-0"



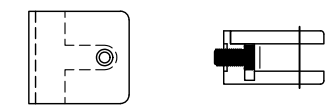
RB51F FIXED FITTING / FLANGE

SCALE: 6"=1'-0"



P9BFS SURFACE MOUNT STANCHION

SCALE: 6"=1'-0"



ZP912 ZCLAMP / ZBOLT38

SCALE: 6"=1'-0"

Revisions By:
01/17/20 - JRM

CRL

2503 E. Vernon Avenue, Los Angeles, CA 90058-1887
PH: (800)-421-8144 FX: 800-587-7501 www.crlaurence.com

Description:
CRL P9 SERIES
POST RAILING SYSTEM

Drawn By: JRM
Date: 03/04/2019
Scale: AS NOTED
File Name:
SYS0071J P9 Series Post Railing System

Sheet

2.01