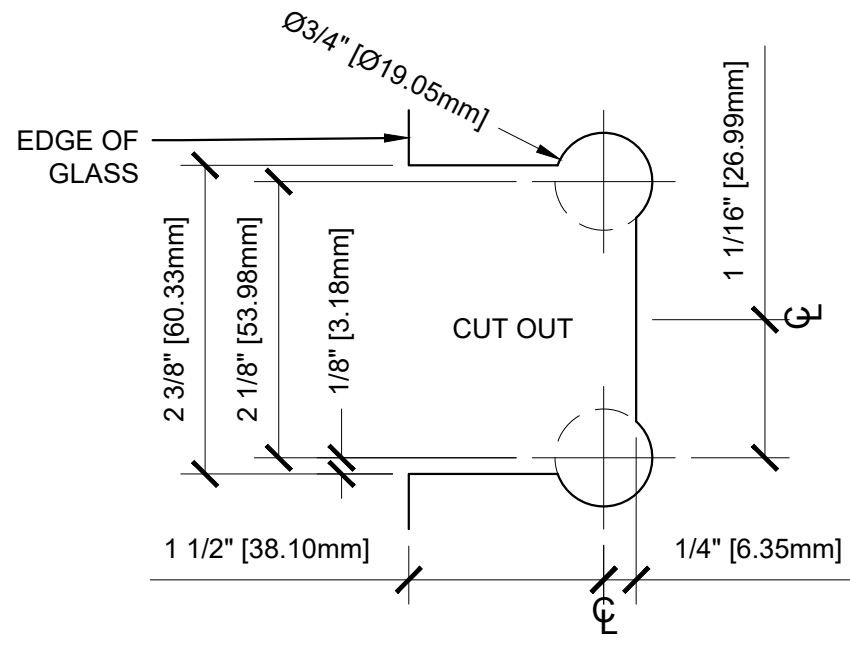
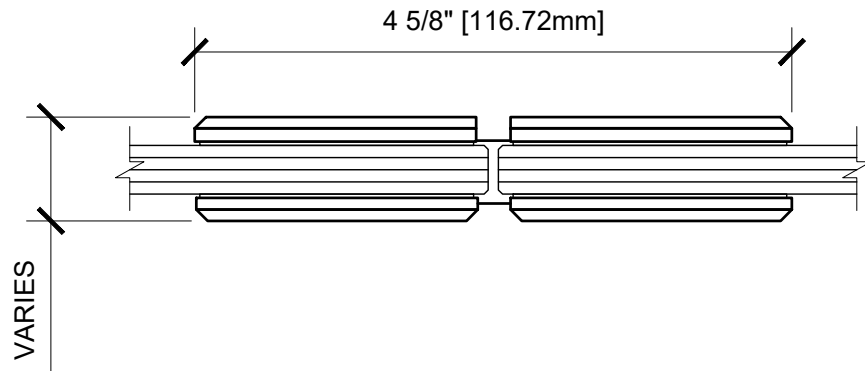
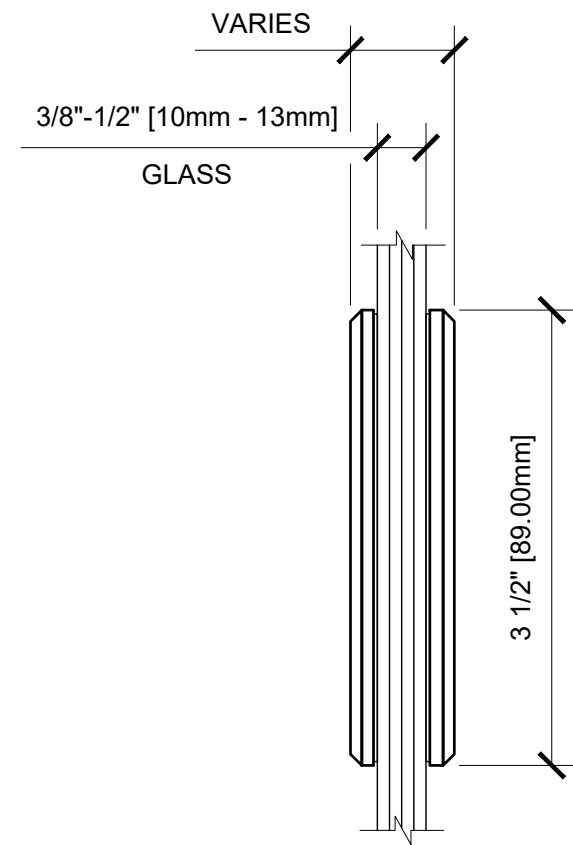
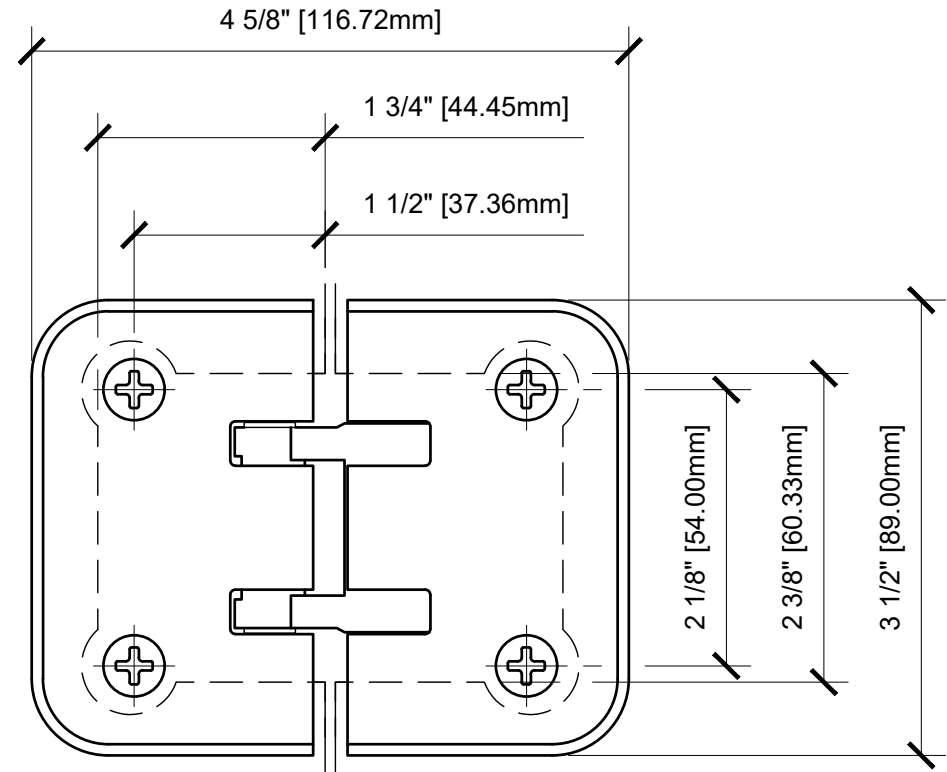


USE OF GASKETS
 FOR 3/8" (10mm) GLASS: USE ONE THICK GASKET ON EACH SIDE
 FOR 1/2" (12mm) GLASS: USE ONE THIN GASKET ON EACH SIDE



GLASS FABRICATION TEMPLATE



EST180XX - CRL ESTATE SERIES 180 DEGREE GLASS TO GLASS HINGE

CATALOG NUMBER	FINISH
EST180CH	CHROME
EST180BR	POLISHED BRASS
EST1800RB	OIL RUBBED BRONZE
EST180ABR	ANTIQUÉ BRASS
EST180BN	BRUSHED NICKEL
EST180BSC	BRUSHED SATIN CHROME
EST180GP	GOLD PLATED
EST180PN	POLISHED NICKEL
EST180SC	SATIN CHROME
EST180W	WHITE

DATE: 1/23/19
 SCALE: 6" = 1'-0"
 DRAWN BY: VM

DESCRIPTION: CRL - EST180
 CTS
 CRL - ESTATE 180 SERIES
 180° GLASS TO GLASS HINGE

C.R. LAURENCE CO. ARCHITECTURAL PRODUCTS
 2503 E. Vernon Avenue, Los Angeles, CA 90058-1897
 PH (800)-421-6144 FX: 800-587-7501 www.crlaurence.com

