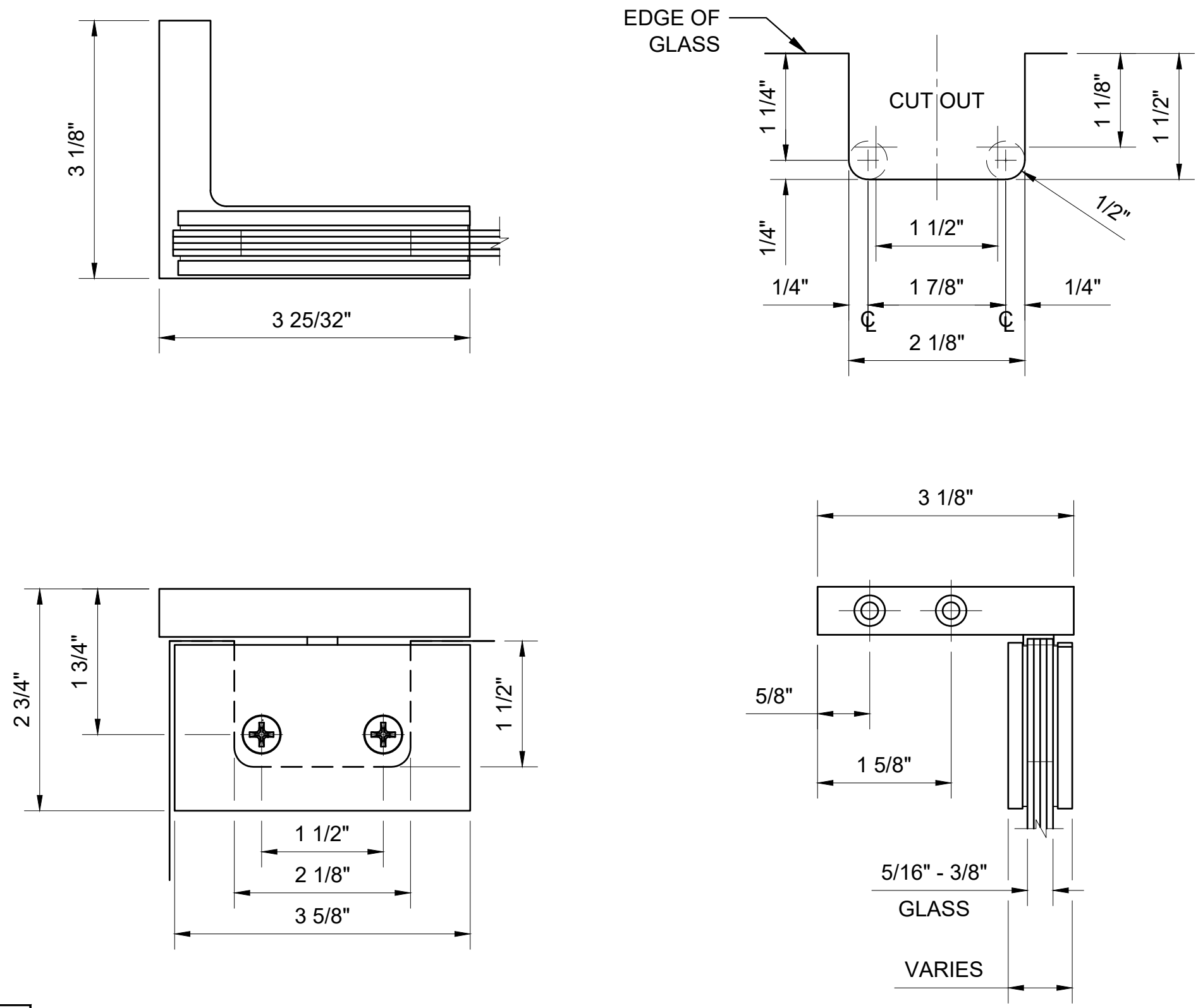


USE OF GASKETS

FOR 5/16" (8mm) GLASS: USE ONE THICK GASKET & ONE THIN GASKET ON EACH SIDE
 FOR 3/8" (10mm) GLASS: USE ONE THICK GASKET ON EACH SIDE



CATALOG NUMBER	FINISH
CAR05LCH	CHROME
CAR05LBR	BRASS
CAR05LORB	OIL RUBBED BRONZE
CAR05LBN	BRUSHED NICKEL
CAR05LPN	POLISHED NICKEL
CAR05LSC	SATIN CHROME
CAR05LSN	SATIN NICKEL

CAR05LXX - CRL CARDIFF SERIES HINGES OFFSET WALL MOUNT

CRL
 C.R. LAURENCE CO. ARCHITECTURAL PRODUCTS
 2503 E. Vernon Avenue, Los Angeles, C.A. 90058-1897
 PH (800)-421-6144 FX: 800-587-7501 www.crlaurence.com

DESCRIPTION: CRL CAR05L__
 CTS
 WALL MOUNT OFFSET BRACKET PIVOT HINGE

DATE: 1/3/19
 SCALE: 6"=1'-0"
 DRAWN BY: VM