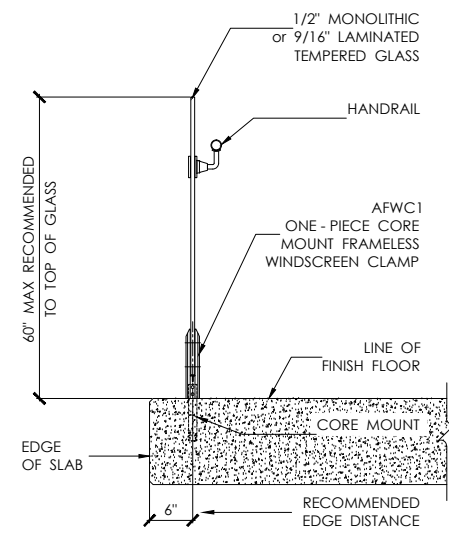


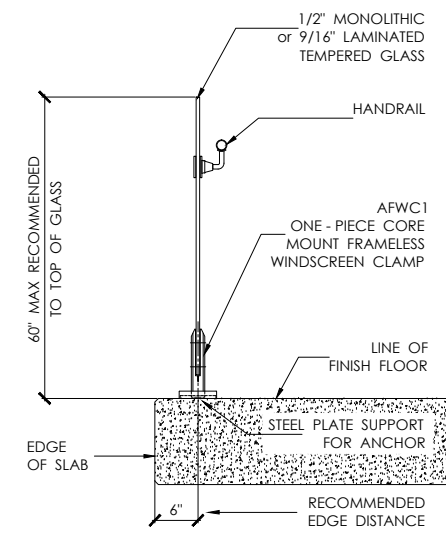
THE FRAMELESS CLAMPS MAY BE USED FOR FALL PROTECTION IN SINGLE FAMILY RESIDENTIAL OCCUPANCIES WHEN LIMITED TO 42" HEIGHT, PANEL LENGTH OF 5 FEET AND INSTALLED WITH A TOP RAIL CAPABLE OF SPANNING 10 FEET FOR THESE CONDITIONS THE SYSTEM WILL SUPPORT THE ABOVE STATED LOADS OR A 200 LB CONCENTRATED LOAD ON THE TOP RAIL, VERTICALLY OR HORIZONTALLY WITH A FACTOR OF SAFETY OF 4.0 AGAINST GLASS FAILURE.

**FRAMELESS GLASS CLAMP RAILING SYSTEM**

TYPICAL FRAMELESS GLASS CLAMP RAILING SYSTEM ELEVATION

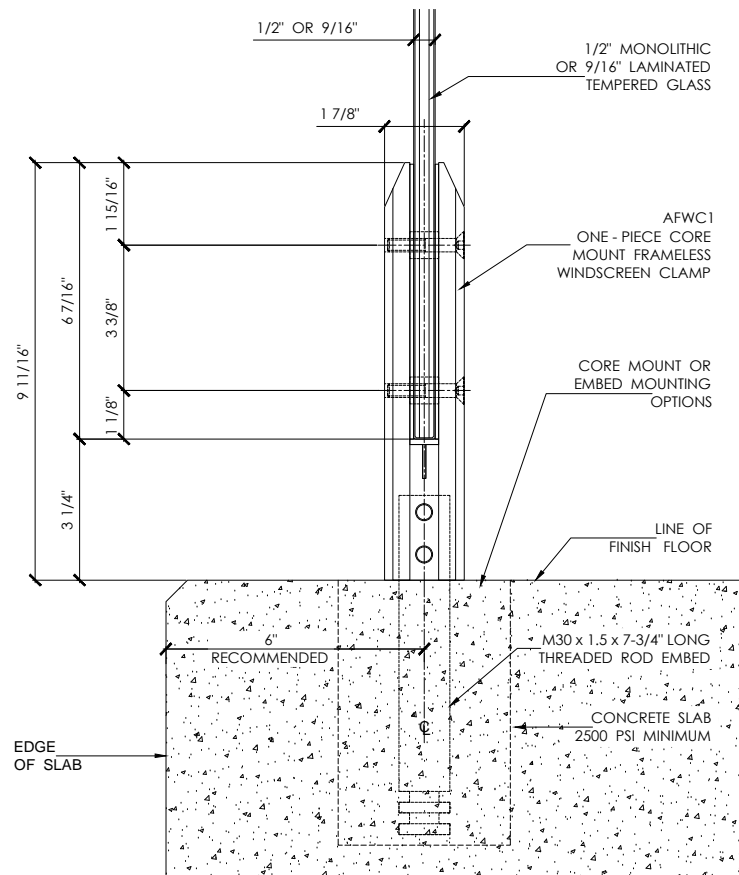


TYPICAL SECTION  
OPTION ONE CORE MOUNT

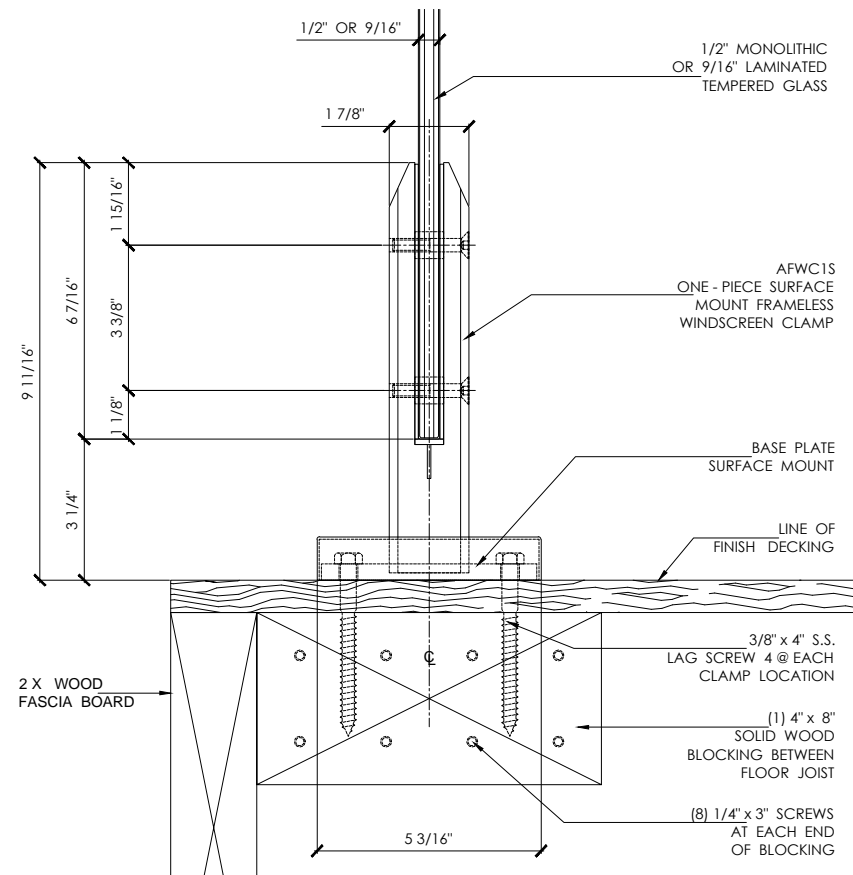


TYPICAL SECTION  
OPTION TWO SURFACE MOUNT

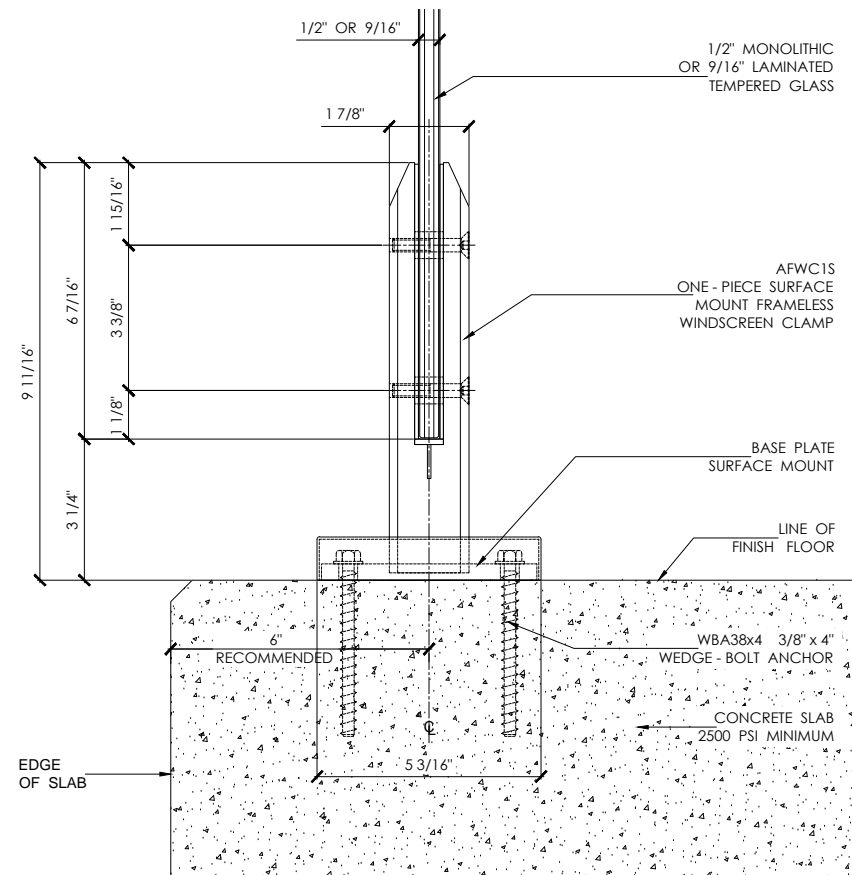
**TYPICAL CLAMP ATTACHMENTS**



CONCRETE SUBSTRATE  
TYPICAL CORE MOUNT DETAIL



WOOD SUBSTRATE  
TYPICAL SURFACE MOUNT DETAIL



CONCRETE SUBSTRATE  
TYPICAL SURFACE MOUNT DETAIL

Revisions By:

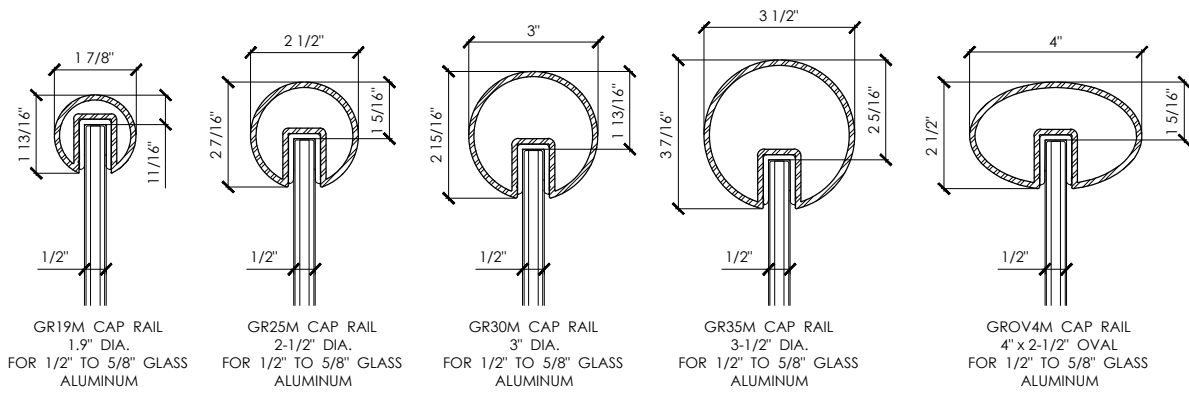


DESCRIPTION:  
FRAMELESS GLASS  
CLAMP RAILING SYSTEM  
DRAWING FILES

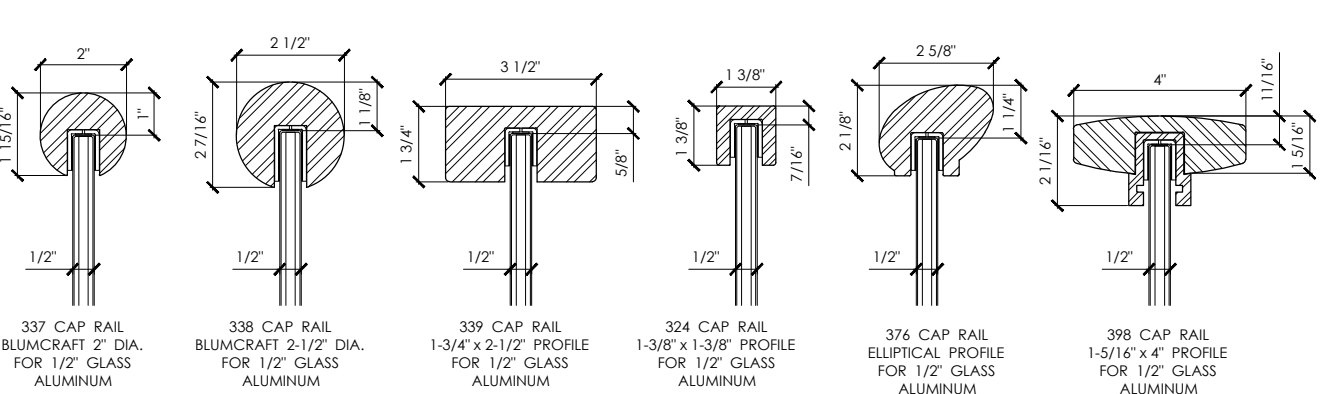
Drawn By: V . R . F .  
Date: 10 - 11 - 11  
Scale: as shown  
File Name: FRAMELESS  
Sheet

CRL'S GRS GLASS RAILING SYSTEM CAP RAIL PROFILES FOR MONOLITHIC TEMPERED GLASS APPLICATIONS

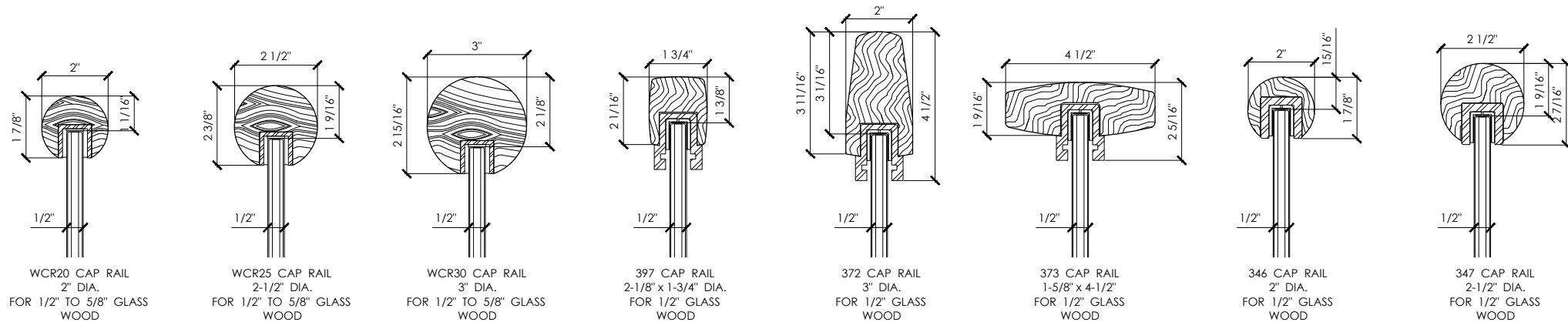
ALUMINUM SHAPES FOR 1/2" TO 5/8" GLASS



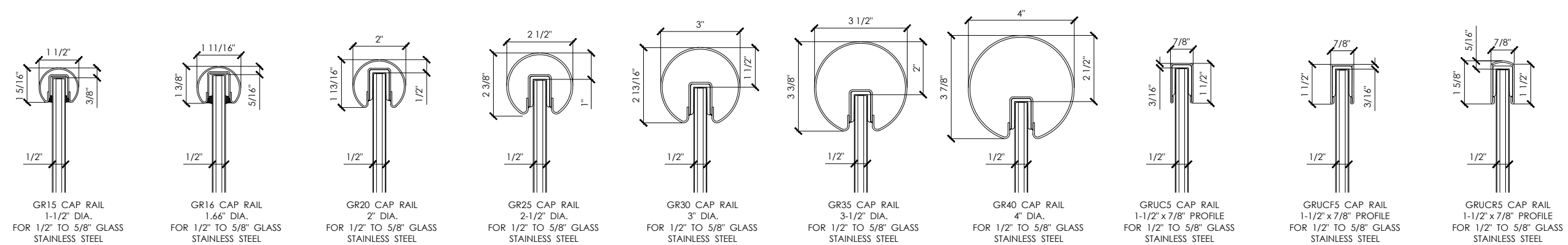
ALUMINUM SOLID SHAPES FOR 1/2" GLASS



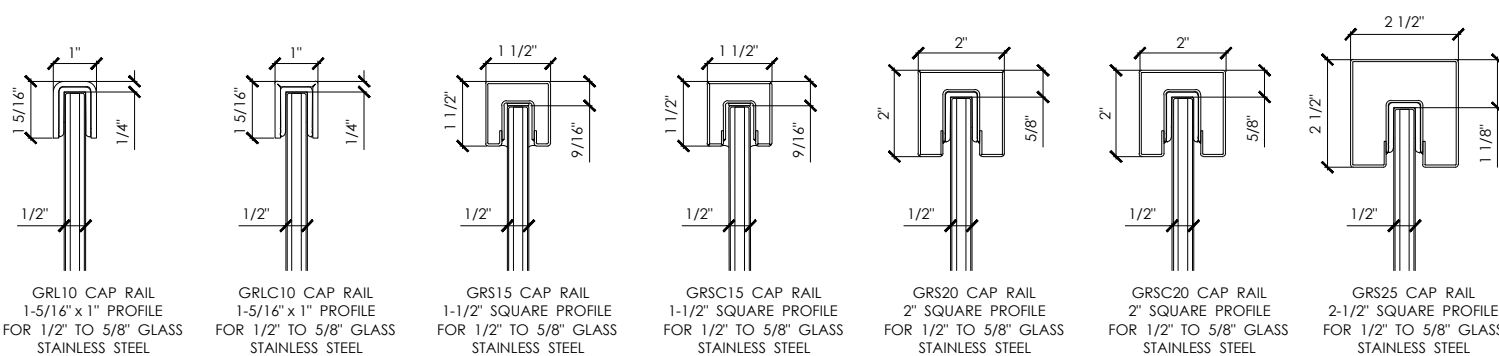
WOOD SHAPES FOR 1/2" TO 5/8" GLASS



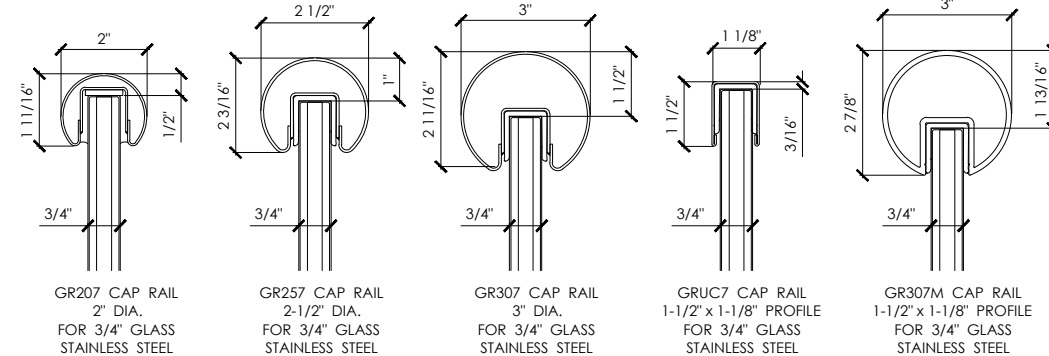
STAINLESS STEEL SHAPES FOR 1/2" TO 5/8" GLASS



STAINLESS STEEL SHAPES FOR 1/2" TO 5/8" GLASS



STAINLESS STEEL SHAPES FOR 3/4" GLASS



Revisions By:



C.R. LAURENCE CO.  
ARCHITECTURAL PRODUCTS  
2503 E. Varnum Avenue, Los Angeles, CA 90058-1897  
PH (800)-421-8444, www.crlaluminum.com

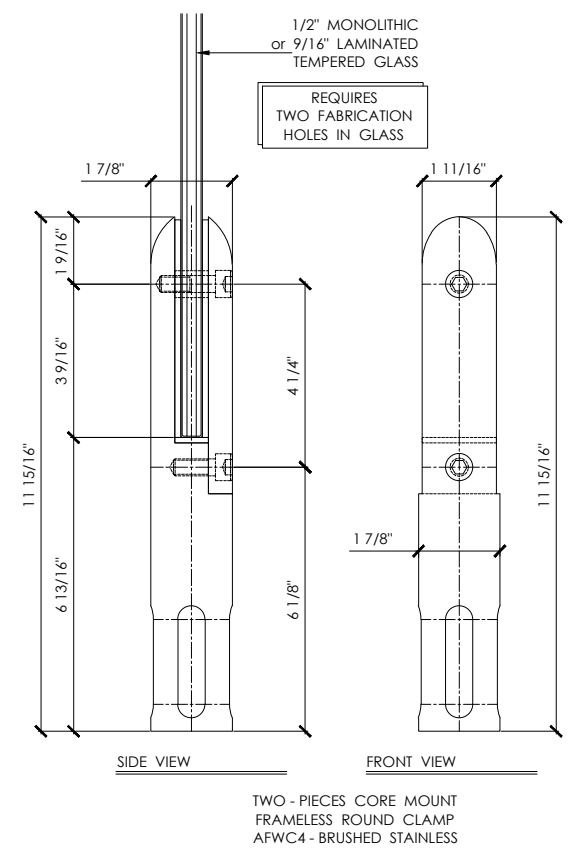
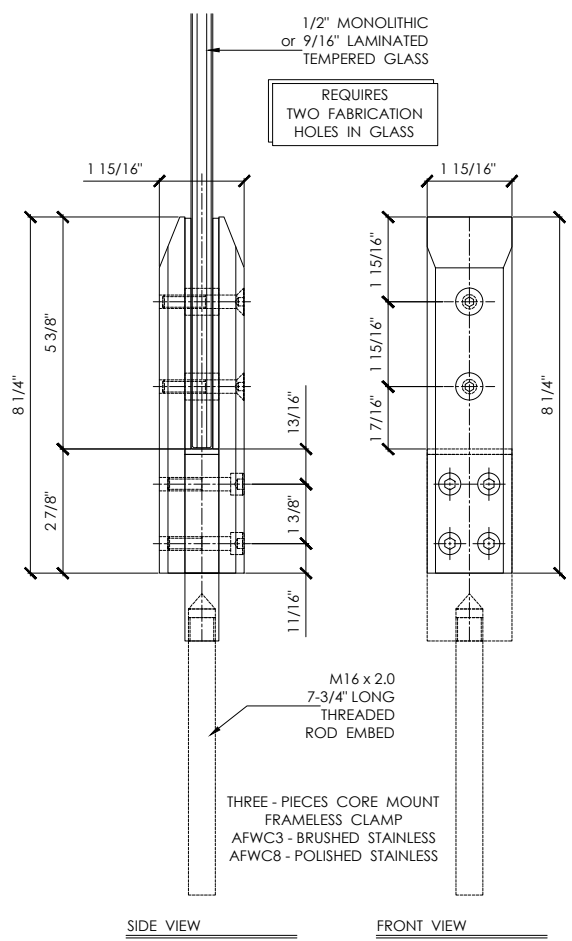
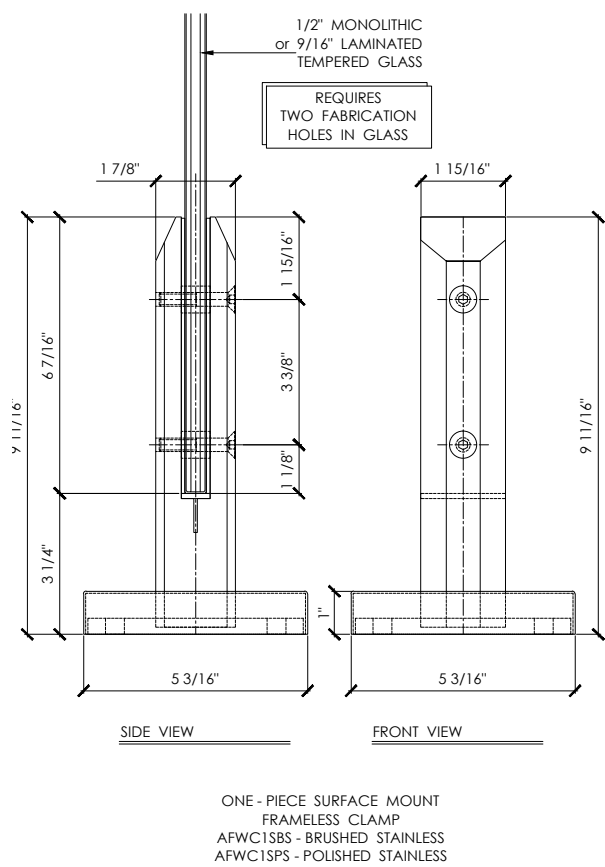
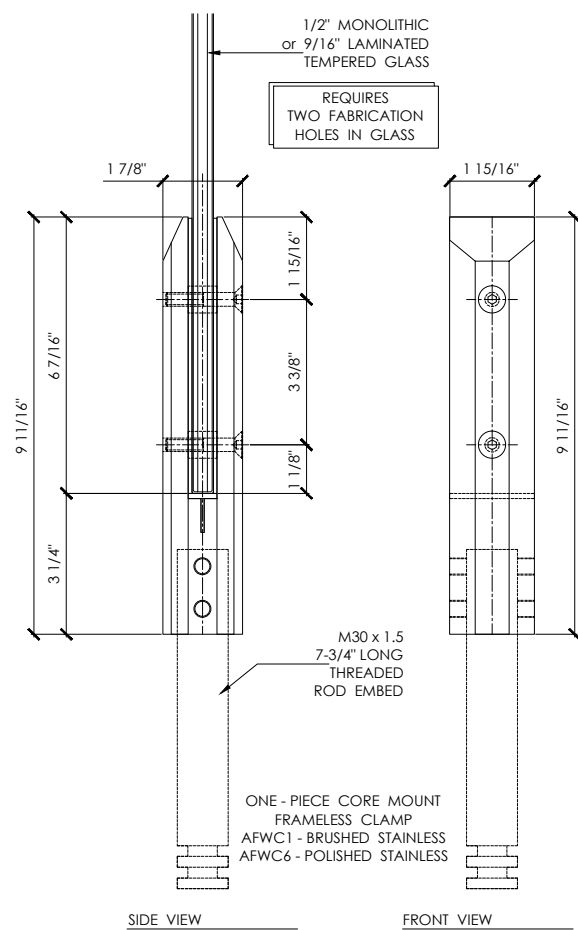
DESCRIPTION:  
FRAMELESS GLASS  
CLAMP RAILING SYSTEM  
DRAWING FILES

Drawn By: V . R . F .  
Date: 09 - 29 - 11  
Scale: as shown  
File Name: SRS TEMPLATE

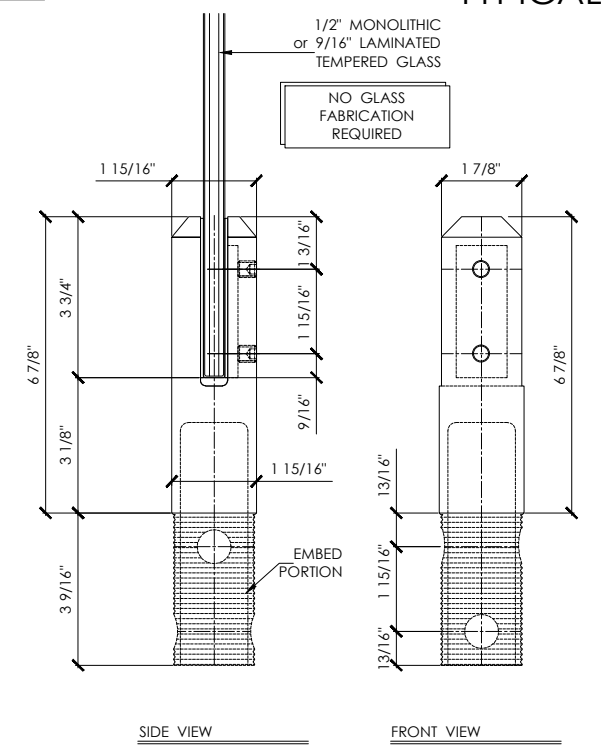
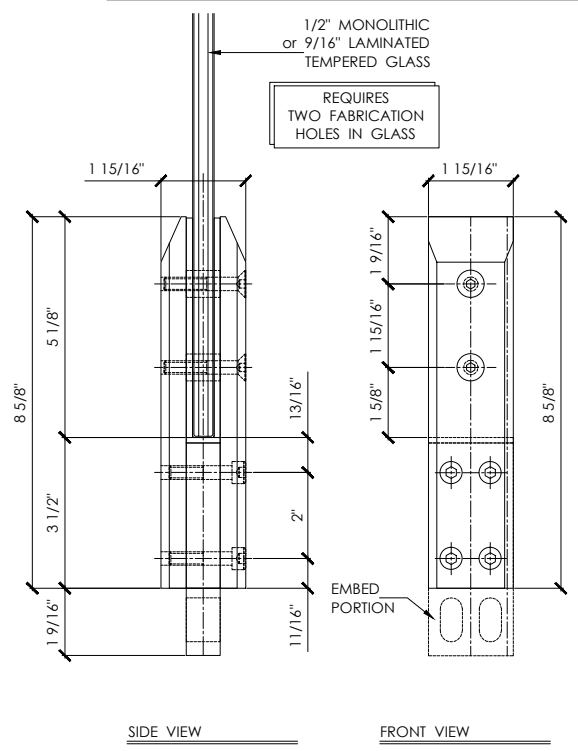
Sheet

SHT-2

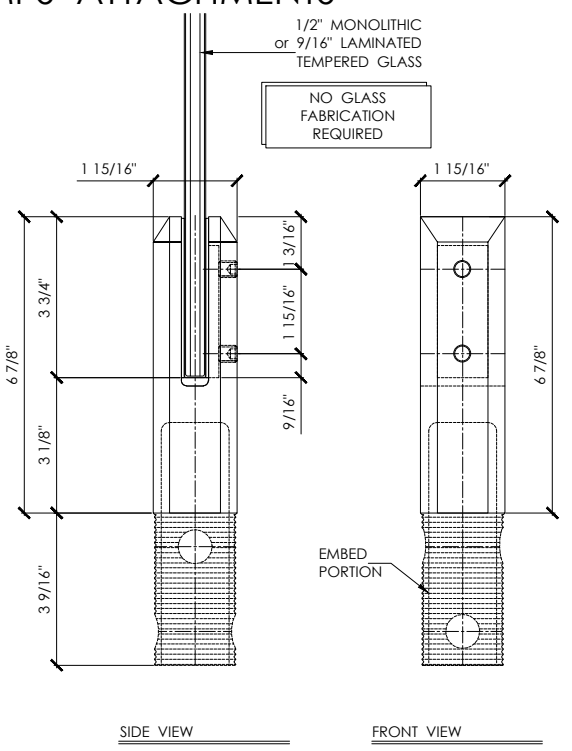
Revisions By:



### SRS STANDOFF RAILING SYSTEM



### TYPICAL CLAMPS ATTACHMENTS



C.R. LAURENCE CO.  
ARCHITECTURAL PRODUCTS  
2503 E. Varnum Avenue, Los Angeles, CA 90058-1897  
PH (800)-421-8444 www.crlaluminum.com

FRAMELESS GLASS  
CLAMP RAILING SYSTEM  
DRAWING FILES

Drawn By: V . R . F .  
Date: 09-29-11  
Scale: as shown  
File Name: SRS TEMPLATE  
Sheet

# SHT-3