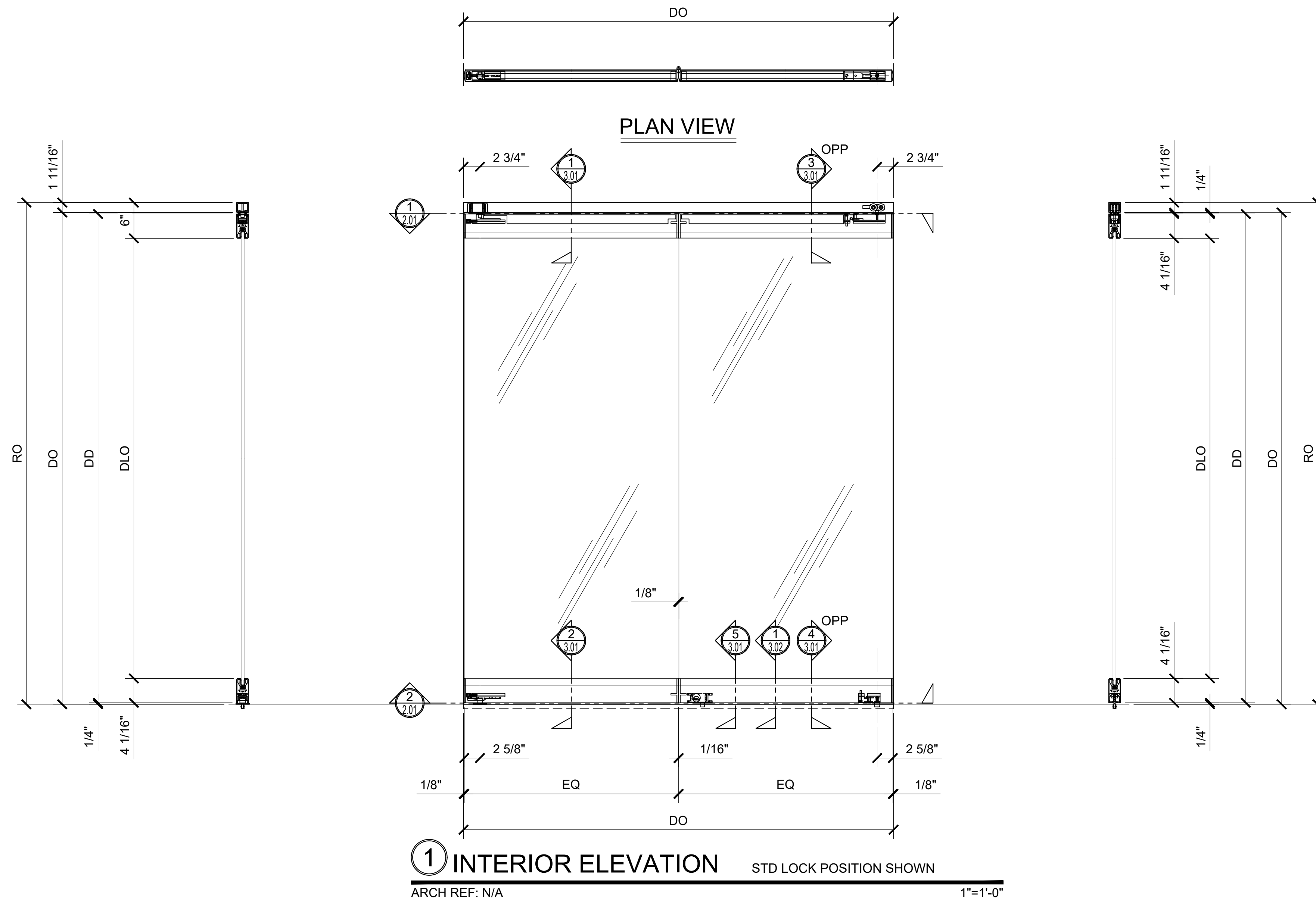




CRL TOP HUNG SLIDING DOOR SYSTEMS
OTB2 OVERHEAD TRACK FULL PANEL BI-FOLD DOOR SYSTEMS
WITH CLAD AND 1/2" GLASS



OTB2, OTB3, OTB4, OTB6 :
 NOTE: CLAD UNITS SHOWN

- AVAILABLE WITH 4" (101.6 MM) SQUARE DOOR RAILS AND BY CUSTOM ORDERS ONLY
- AVAILABLE WITH 1/2" GLASS ONLY
- PANELS HUNG FROM END POINT, MINIMIZING OBSTRUCTION
- CUSTOM BUILT TO YOUR SPECS FOR FIT AND FINISH

CRL OVERHEAD TRACK FULL PANEL BI-FOLD DOOR SYSTEMS ARE AVAILABLE IN FOUR CONFIGURATIONS, WITH A MAXIMUM OF THREE PANELS ON EACH SIDE OF THE OPENING. THE END PANELS ACT LIKE NORMAL CENTER PIVOTING DOORS AND CONNECT TO THE FIRST HANGING PANEL USING SPECIAL HINGED END CAPS ROLLER ASSEMBLY.
 MAXIMUM PANEL WEIGHT NOT TO EXCEED 170 POUNDS (77 kg.)
 MAXIMUM PANEL WIDTH IS 39" (990 mm.)
 MINIMUM PANEL WIDTH IS 15" (381 mm.)
 CONTACT CRL TECHNICAL SALES IN US AT (800) 521-6144
 IN CANADA (877) 421-6144
 INTERNATIONAL (323) 588-1281 EXT. 7700
 YOU CAN ALSO SEND E-MAIL FROM THE CRLAURENCE.COM HOME PAGE. CLICK ON CONTACT US AND THEN CLICK ON TECHNICAL SALES FOR COMMERCIAL PRODUCTS.

STRUCTURAL DISCLAIMER:

ALL CUSTOMERS WHO IN ANY WAY UTILIZE THIS PRODUCT ARE SOLELY RESPONSIBLE TO CONSULT A STRUCTURAL ENGINEER TO DETERMINE THE SUITABILITY OF THE PRODUCT FOR THE INTENDED USE AND SITE CONDITIONS. ALL INSTALLERS MUST BE QUALIFIED AND HAVE PROFESSIONAL KNOWLEDGE ABOUT COMPLIANCE WITH LOCAL, STATE AND FEDERAL REGULATIONS, SAFETY FACTORS, AND THE APPROPRIATE CHOICE OF FIXING MATERIAL AND PROCEDURES.

STANDARD ABBREVIATIONS	
RO	ROUGH OPENING
FD	FRAME DIMENSION
DLO	DAYLIGHT OPENING
DO	DOOR OPENING
DD	DOOR DIMENSION
EQ	EQUAL
DP	DIMENSION POINT

Revisions By:



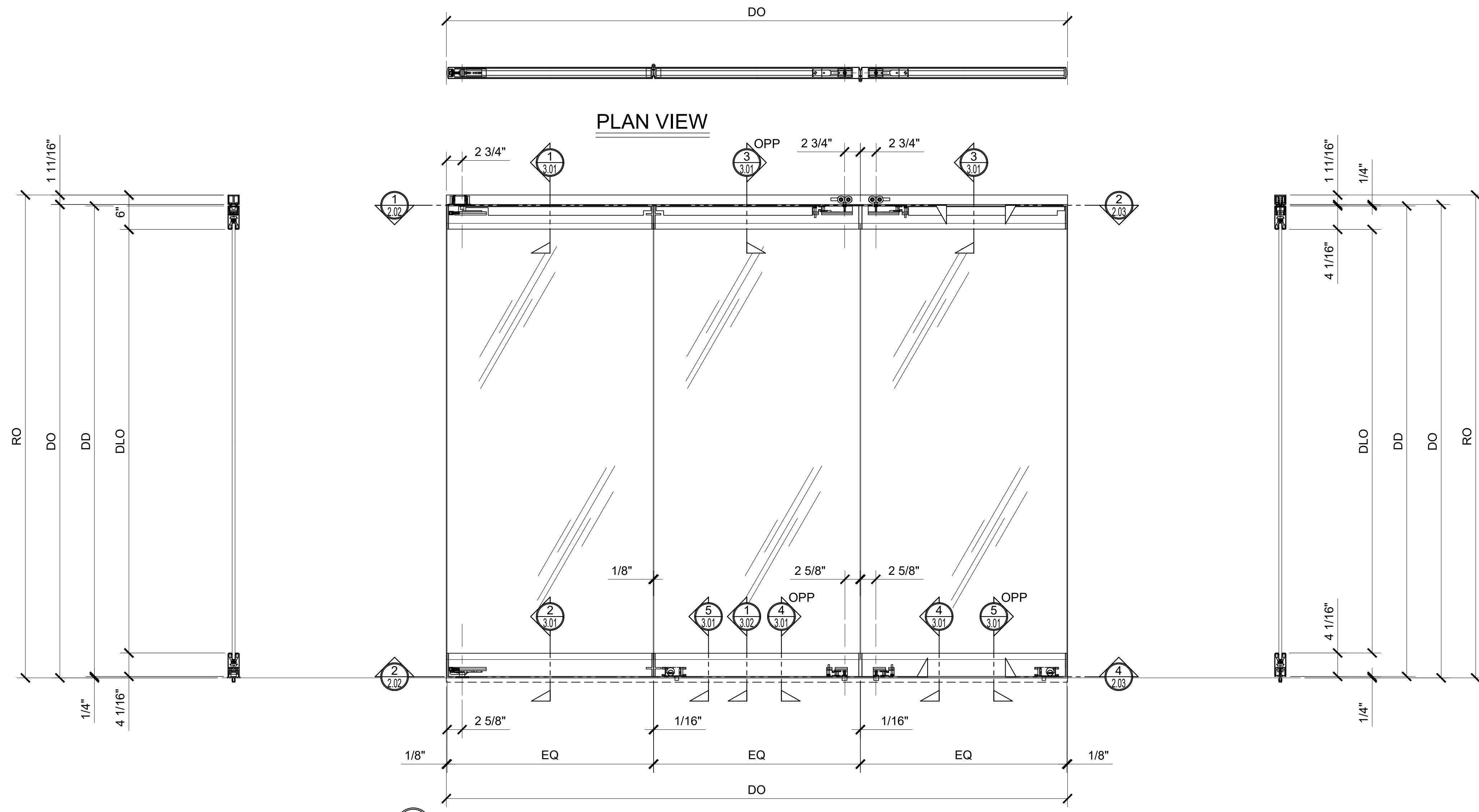
Description:
CRL OVERHEAD TRACK
FULL PANEL BI-FOLD
DOOR SYSTEMS
FOR 1/2" GLASS

Drawn By: TG
Date: 07-31-2017
Scale: AS NOTED
File Name: ORB.dwg
Sheet

1.01



CRL TOP HUNG SLIDING DOOR SYSTEMS
 OTB3 OVERHEAD TRACK FULL PANEL BI-FOLD DOOR SYSTEMS
 WITH CLAD AND 1/2" GLASS



① INTERIOR ELEVATION STD LOCK POSITION SHOWN
 ARCH REF: N/A 1"=1'-0"

STRUCTURAL DISCLAIMER:
 ALL CUSTOMERS WHO IN ANY WAY UTILIZE THIS PRODUCT ARE SOLELY RESPONSIBLE TO CONSULT A STRUCTURAL ENGINEER TO DETERMINE THE SUITABILITY OF THE PRODUCT FOR THE INTENDED USE AND SITE CONDITIONS. ALL INSTALLERS MUST BE QUALIFIED AND HAVE PROFESSIONAL KNOWLEDGE ABOUT COMPLIANCE WITH LOCAL, STATE AND FEDERAL REGULATIONS, SAFETY FACTORS, AND THE APPROPRIATE CHOICE OF FIXING MATERIAL AND PROCEDURES.

STANDARD ABBREVIATIONS	
RO	ROUGH OPENING
FD	FRAME DIMENSION
DLO	DAYLIGHT OPENING
DO	DOOR OPENING
DD	DOOR DIMENSION
EQ	EQUAL
DP	DIMENSION POINT

Revisions By:

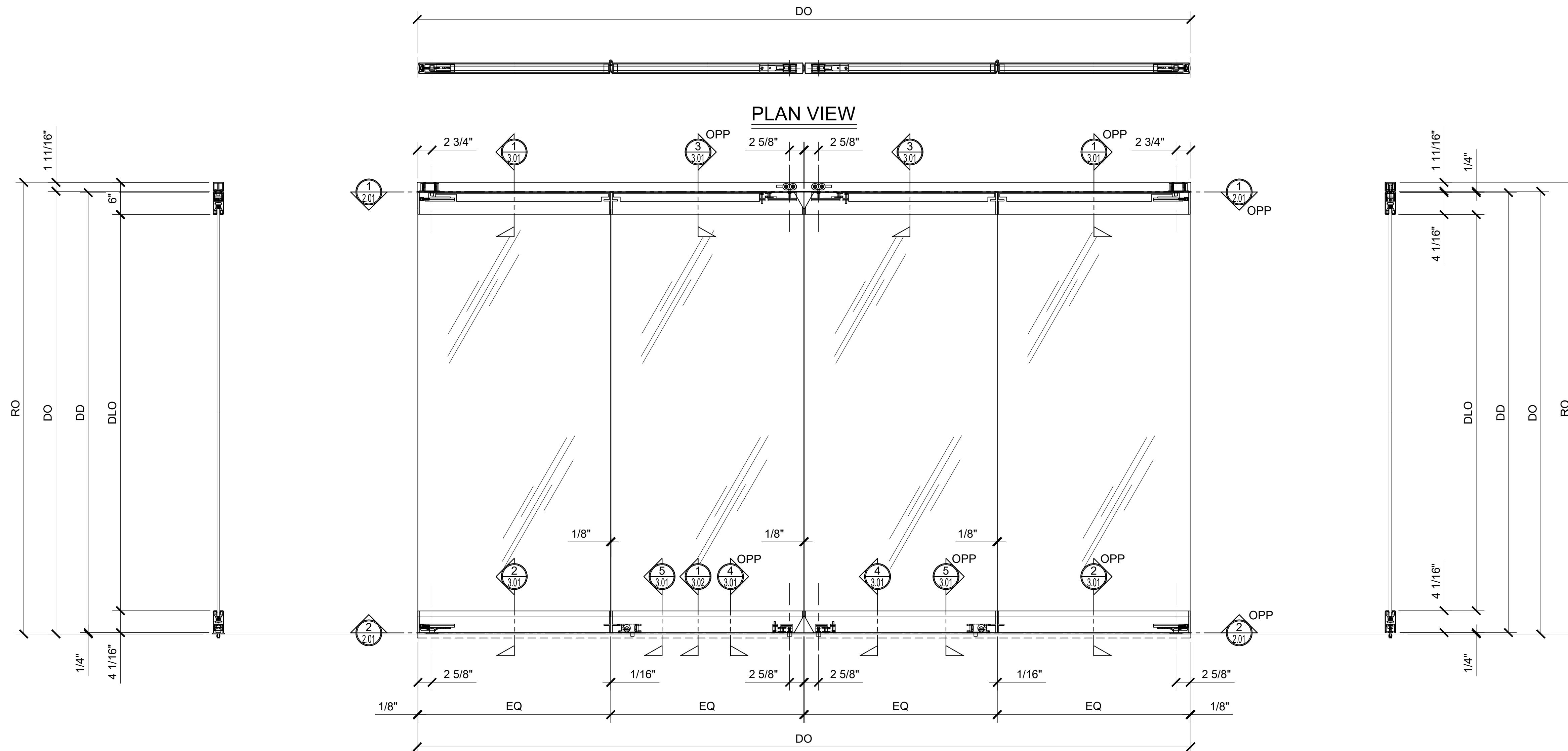


Description:
 CRL OVERHEAD TRACK
 FULL PANEL BI-FOLD
 DOOR SYSTEMS
 FOR 1/2" GLASS

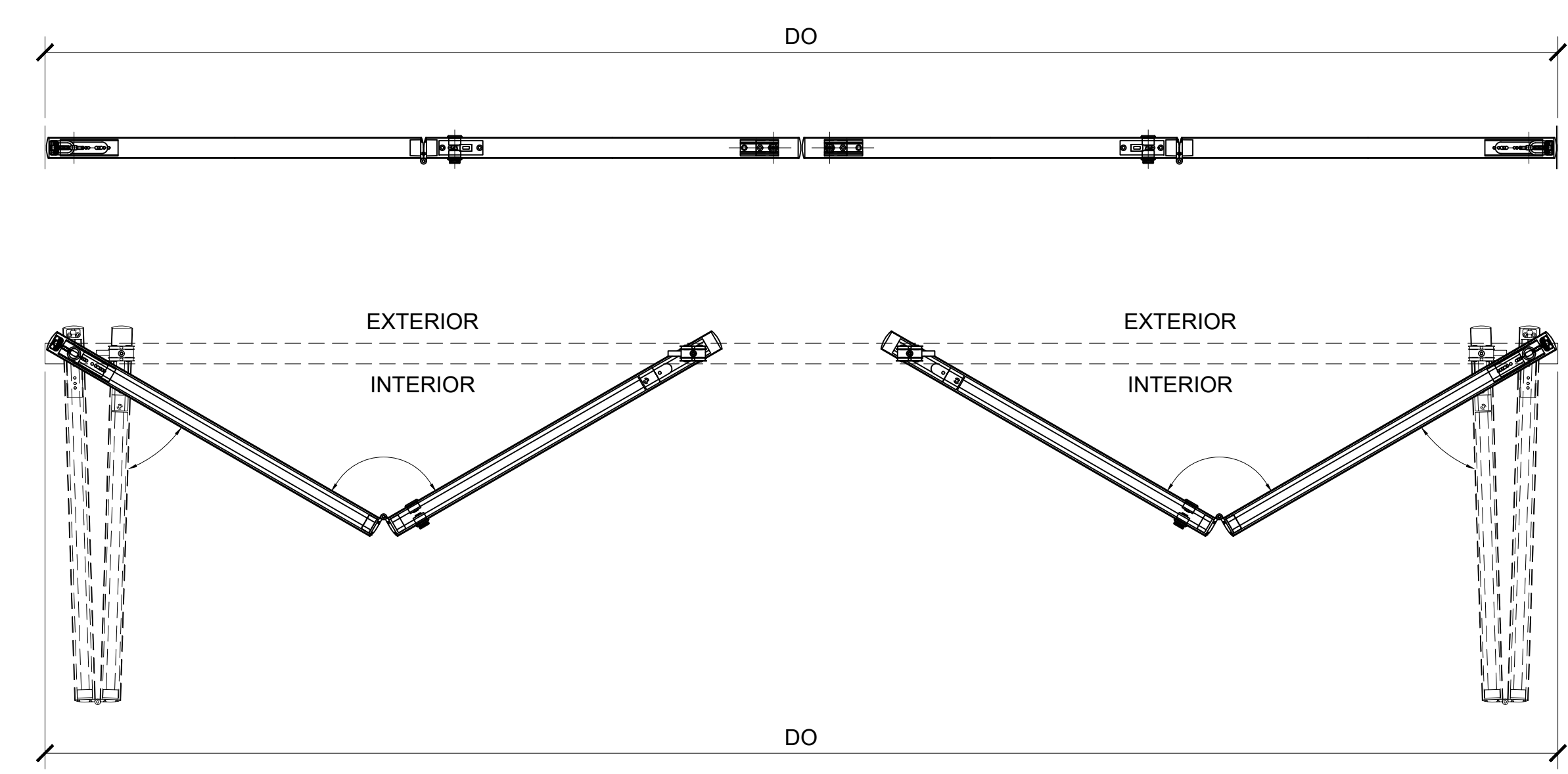
Drawn By: TG
 Date: 07-31-2017
 Scale: AS NOTED
 File Name:
 ORB.dwg



CRL TOP HUNG SLIDING DOOR SYSTEMS
OTB4 OVERHEAD TRACK FULL PANEL BI-FOLD DOOR SYSTEMS
WITH CLAD AND 1/2" GLASS



1 INTERIOR ELEVATION STD LOCK POSITION SHOWN
 ARCH REF: N/A 1"=1'-0"



OTB4 OPEN PLAN VIEW

STRUCTURAL DISCLAIMER:
 ALL CUSTOMERS WHO IN ANY WAY UTILIZE THIS PRODUCT ARE SOLELY RESPONSIBLE TO CONSULT A STRUCTURAL ENGINEER TO DETERMINE THE SUITABILITY OF THE PRODUCT FOR THE INTENDED USE AND SITE CONDITIONS. ALL INSTALLERS MUST BE QUALIFIED AND HAVE PROFESSIONAL KNOWLEDGE ABOUT COMPLIANCE WITH LOCAL, STATE AND FEDERAL REGULATIONS, SAFETY FACTORS, AND THE APPROPRIATE CHOICE OF FIXING MATERIAL AND PROCEDURES.

STANDARD ABBREVIATIONS	
RO	ROUGH OPENING
FD	FRAME DIMENSION
DLO	DAYLIGHT OPENING
DO	DOOR OPENING
DD	DOOR DIMENSION
EQ	EQUAL
DP	DIMENSION POINT

Revisions By:

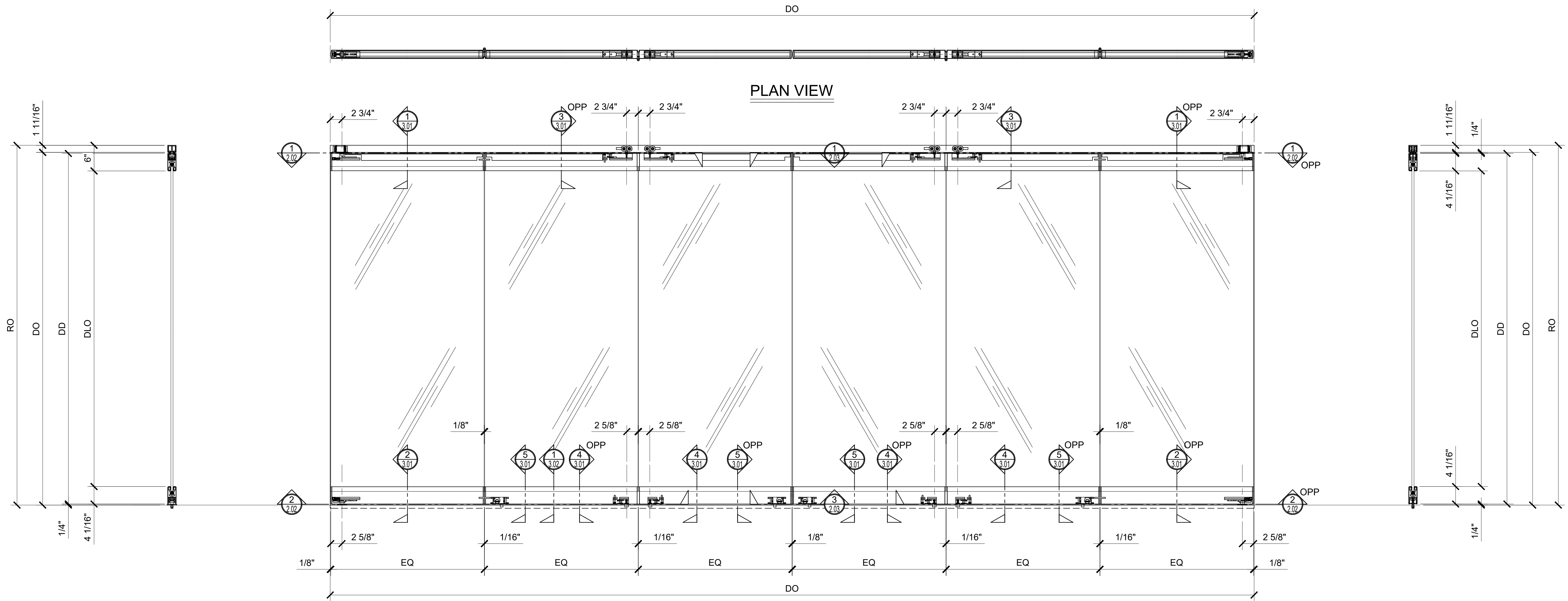


Description:
CRL OVERHEAD TRACK
FULL PANEL BI-FOLD
DOOR SYSTEMS
FOR 1/2" GLASS

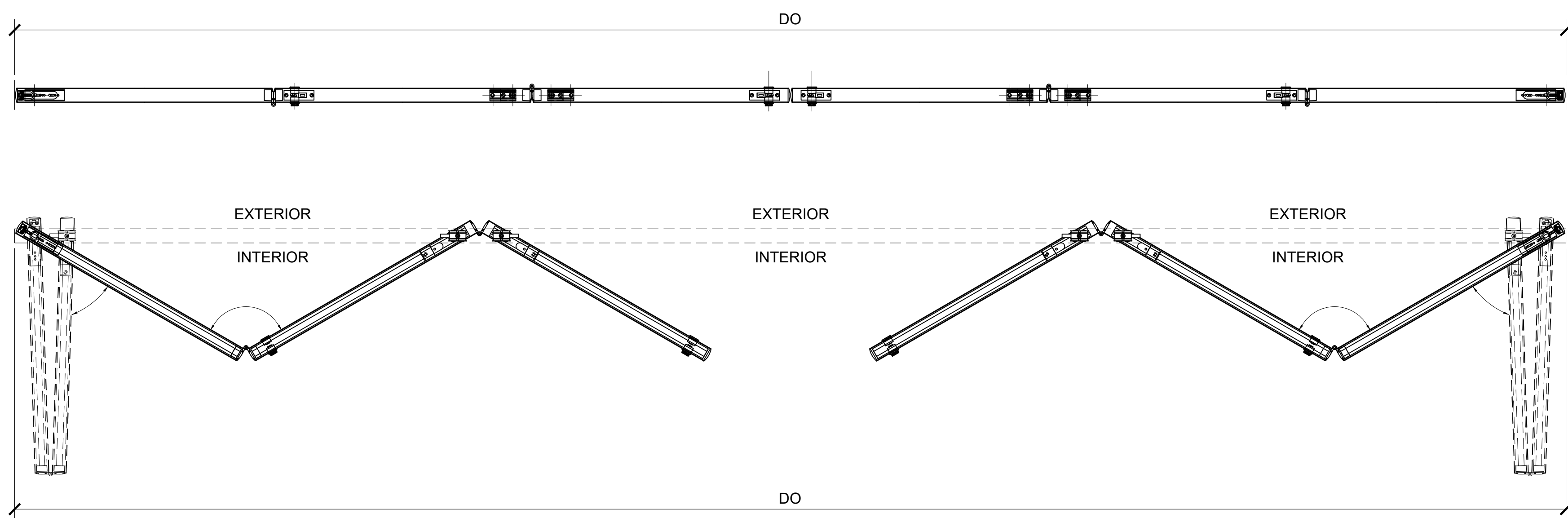
Drawn By: TG
 Date: 07-31-2017
 Scale: AS NOTED
 File Name:
 ORB.dwg



CRL TOP HUNG SLIDING DOOR SYSTEMS
 OTB6 OVERHEAD TRACK FULL PANEL BI-FOLD DOOR SYSTEMS
 WITH CLAD AND 1/2" GLASS



1 INTERIOR ELEVATION STD LOCK POSITION SHOWN
 ARCH REF: N/A 1"=1'-0"



OTB6 OPEN PLAN VIEW

STRUCTURAL DISCLAIMER:
 ALL CUSTOMERS WHO IN ANY WAY UTILIZE THIS PRODUCT ARE SOLELY RESPONSIBLE TO CONSULT A STRUCTURAL ENGINEER TO DETERMINE THE SUITABILITY OF THE PRODUCT FOR THE INTENDED USE AND SITE CONDITIONS. ALL INSTALLERS MUST BE QUALIFIED AND HAVE PROFESSIONAL KNOWLEDGE ABOUT COMPLIANCE WITH LOCAL, STATE AND FEDERAL REGULATIONS, SAFETY FACTORS, AND THE APPROPRIATE CHOICE OF FIXING MATERIAL AND PROCEDURES.

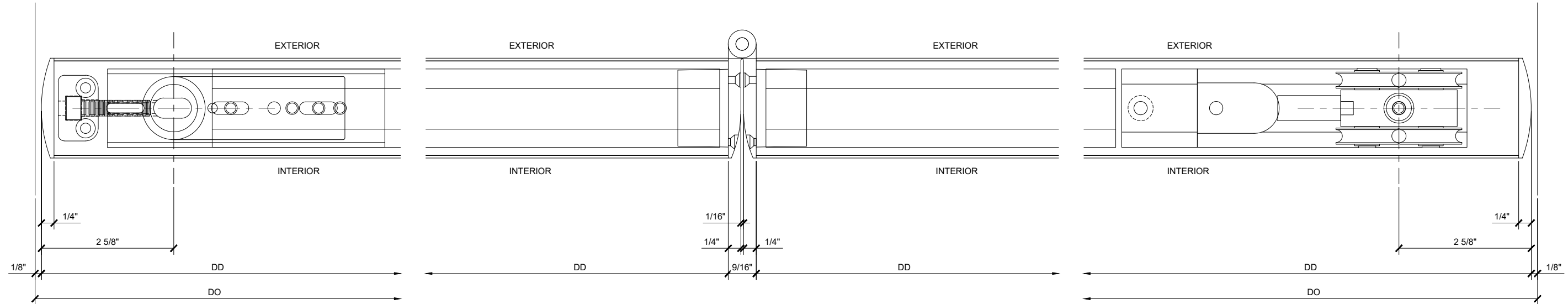
STANDARD ABBREVIATIONS	
RO	ROUGH OPENING
FD	FRAME DIMENSION
DLO	DAYLIGHT OPENING
DO	DOOR OPENING
DD	DOOR DIMENSION
EQ	EQUAL
DP	DIMENSION POINT

Revisions By:



Description:
 CRL OVERHEAD TRACK
 FULL PANEL BI-FOLD
 DOOR SYSTEMS
 FOR 1/2" GLASS

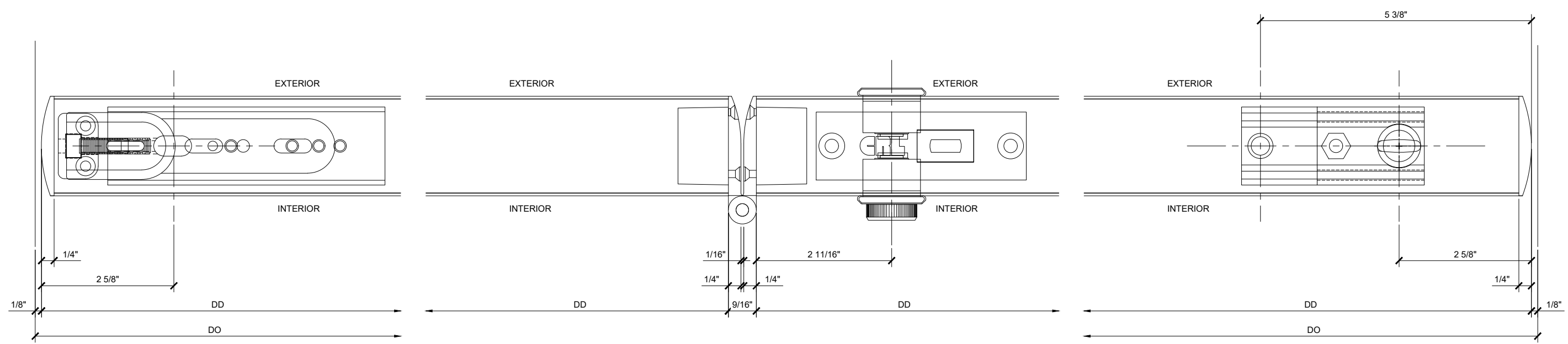
Drawn By: TG
 Date: 07-31-2017
 Scale: AS NOTED
 File Name:
 ORB.dwg



1 OTB2 TOP RAIL DETAILS

ARCH REF: N/A

1-0"=1'-0"



2 OTB2 BOTTOM RAIL DETAILS

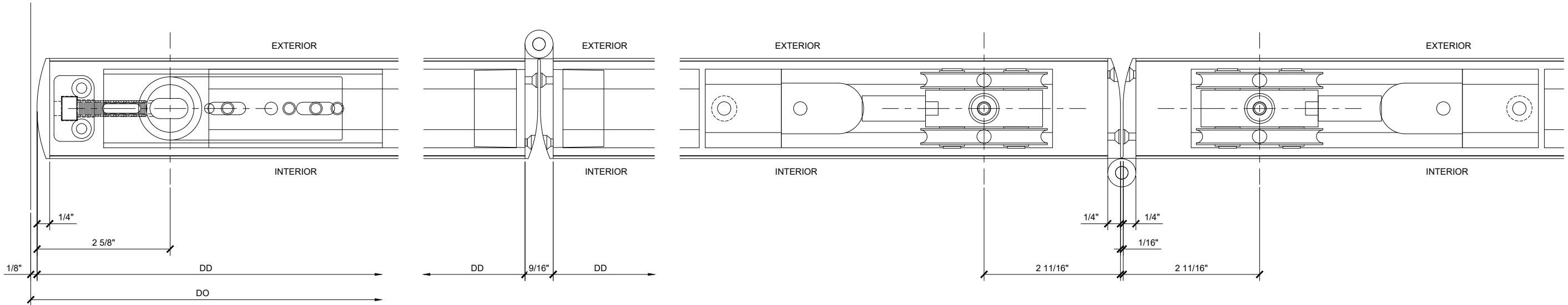
ARCH REF: N/A

1-0"=1'-0"

Description:
 CRL OVERHEAD TRACK
 FULL PANEL BI-FOLD
 DOOR SYSTEMS
 FOR 1/2" GLASS

Drawn By: TG
 Date: 07-31-2017
 Scale: AS NOTED
 File Name: ORB.dwg

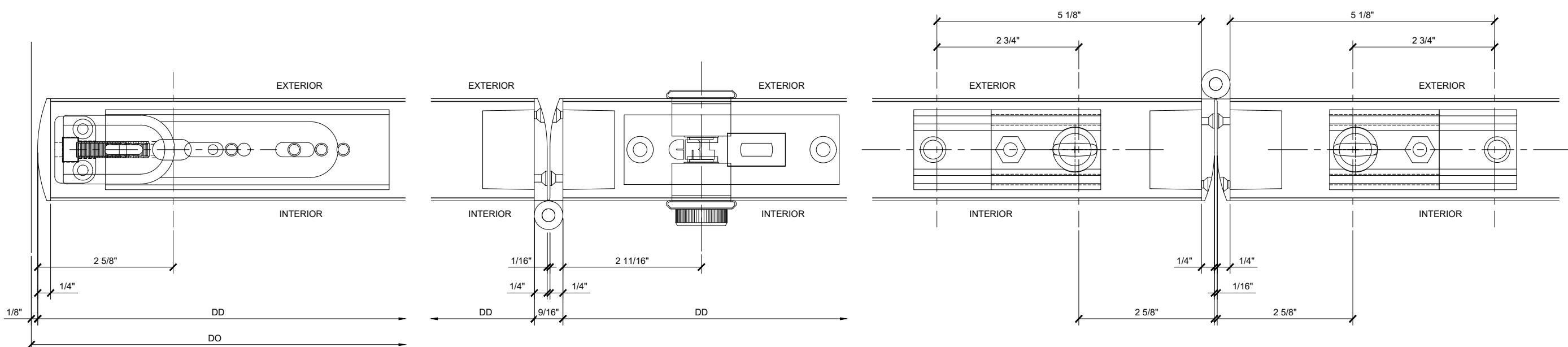
Sheet



1 OTB3 TOP RAIL DETAILS

ARCH REF: N/A

1-0"=1'-0"



2 OTB3 BOTTOM RAIL DETAILS

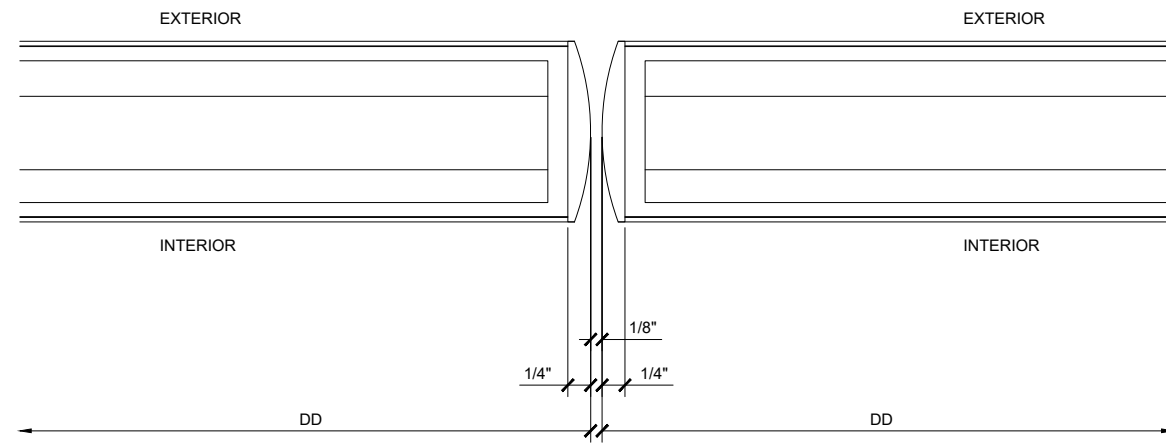
ARCH REF: N/A

1-0"=1'-0"

Description:
 CRL OVERHEAD TRACK
 FULL PANEL BIFOLD
 DOOR SYSTEMS
 FOR 1/2" GLASS

Drawn By: TG
 Date: 07-31-2017
 Scale: AS NOTED
 File Name: ORB.dwg

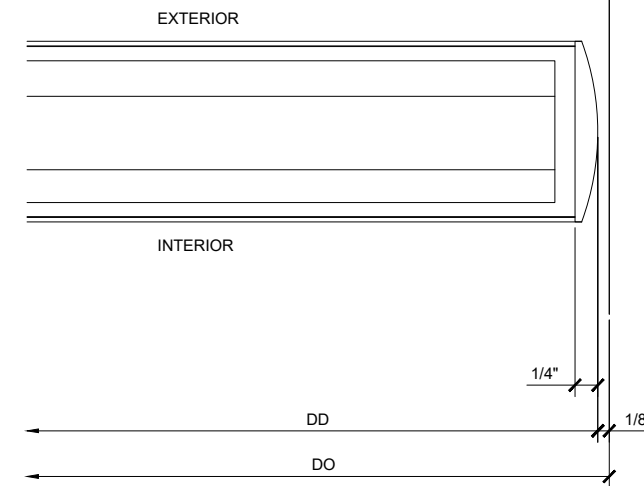
Sheet



① OTB6 TOP RAIL MEETING STILE DETAIL

ARCH REF: N/A

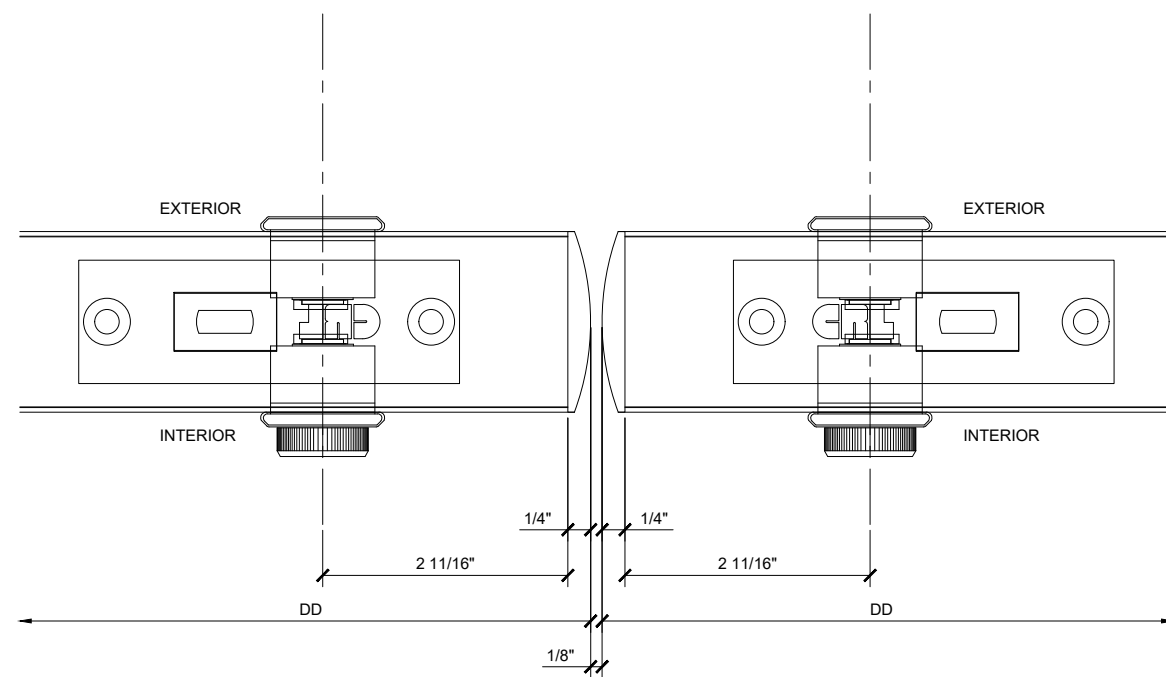
1-0"=1'-0"



② OTB3 TOP RAIL JAMB DETAIL

ARCH REF: N/A

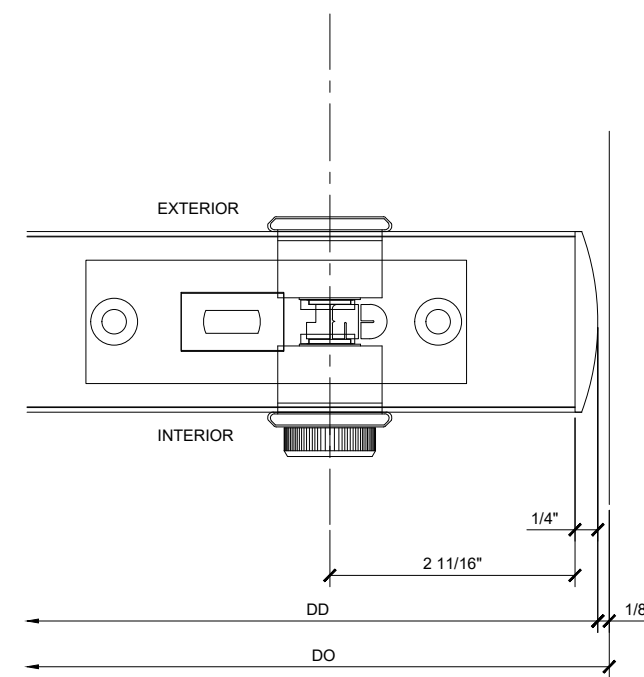
1-0"=1'-0"



③ OTB6 BOTTOM RAIL MEETING STILE DETAIL

ARCH REF: N/A

1-0"=1'-0"



④ OTB3 BOTTOM RAIL JAMB DETAIL

ARCH REF: N/A

1-0"=1'-0"

Description:
 CRL OVERHEAD TRACK
 FULL PANEL BI-FOLD
 DOOR SYSTEMS
 FOR 1/2" GLASS

Drawn By: TG

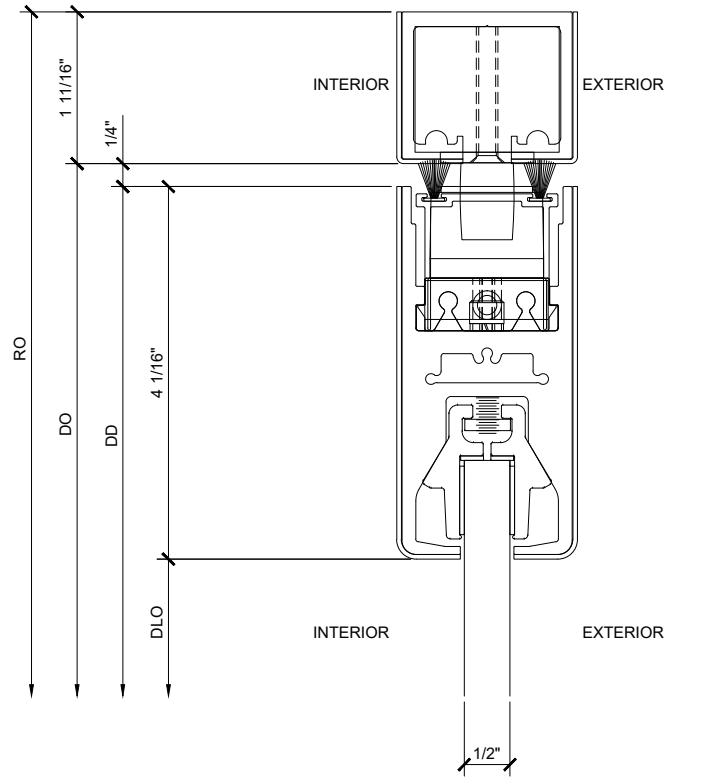
Date: 07-31-2017

Scale: AS NOTED

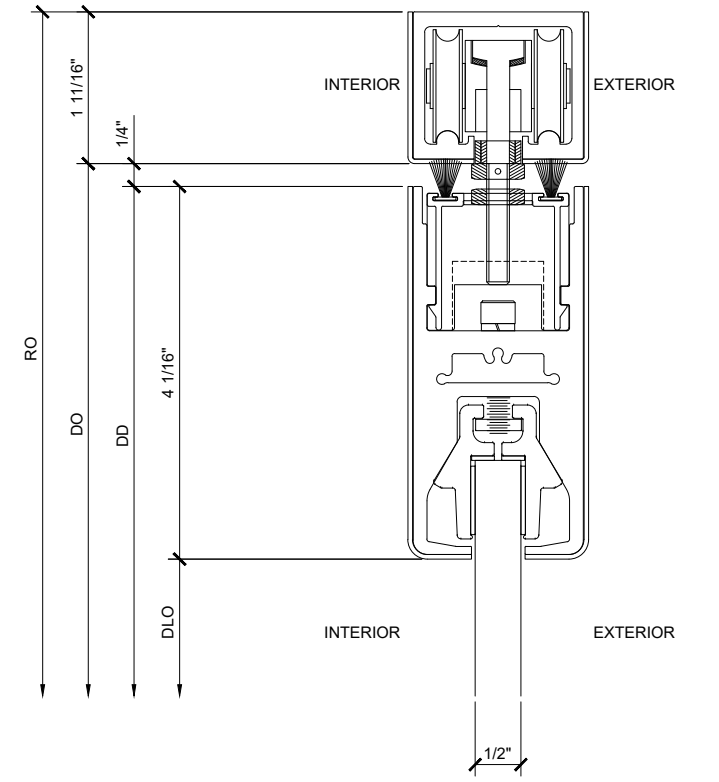
File Name:

ORB.dwg

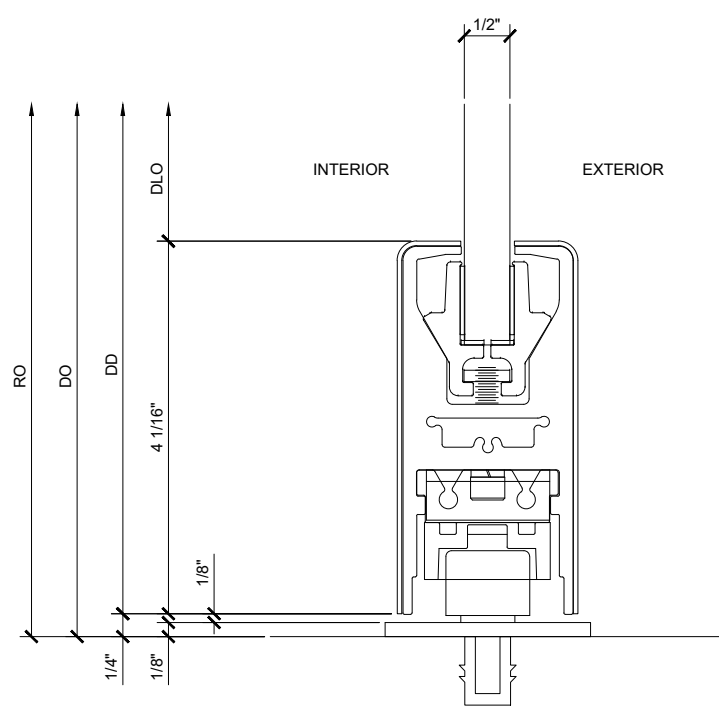
Sheet



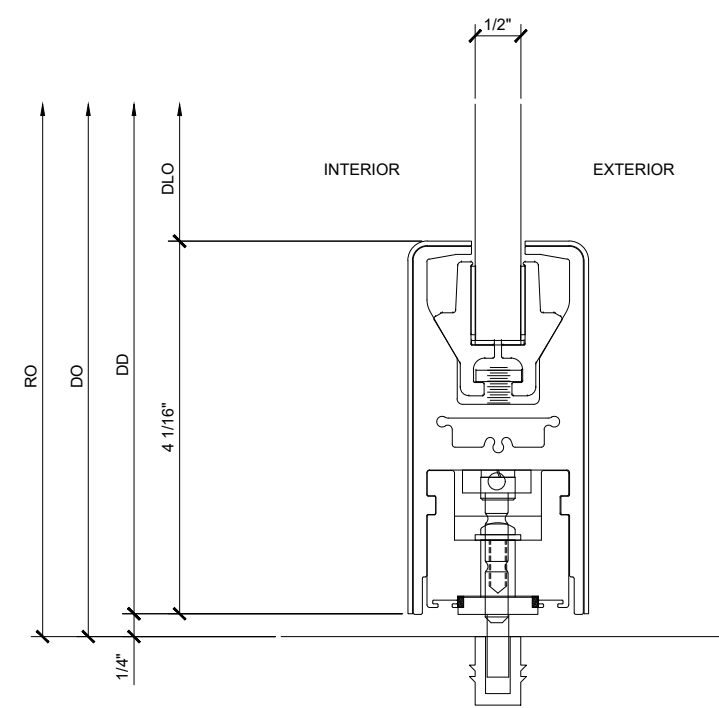
① HEAD DETAIL
 ARCH REF: N/A 1-0"=1'-0"



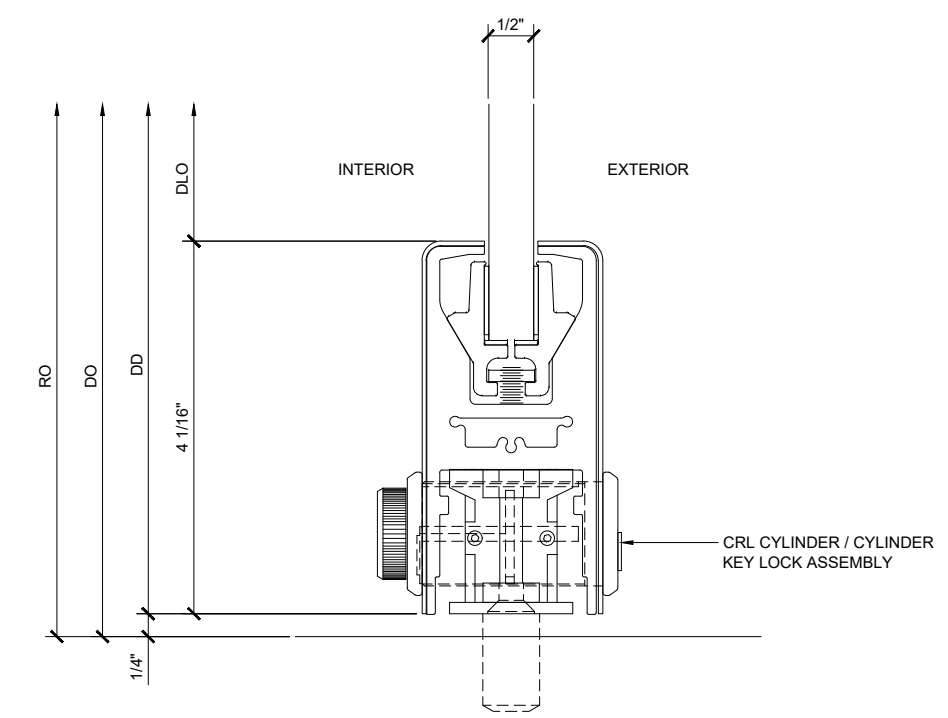
③ HEAD DETAIL
 ARCH REF: N/A 1-0"=1'-0"



② SILL DETAIL
 ARCH REF: N/A 1-0"=1'-0"



④ SILL DETAIL
 ARCH REF: N/A 1-0"=1'-0"



⑤ SILL DETAIL WITH LOCK
 ARCH REF: N/A 1-0"=1'-0"

Description:
 CRL OVERHEAD TRACK
 FULL PANEL BI-FOLD
 DOOR SYSTEMS
 FOR 1/2" GLASS

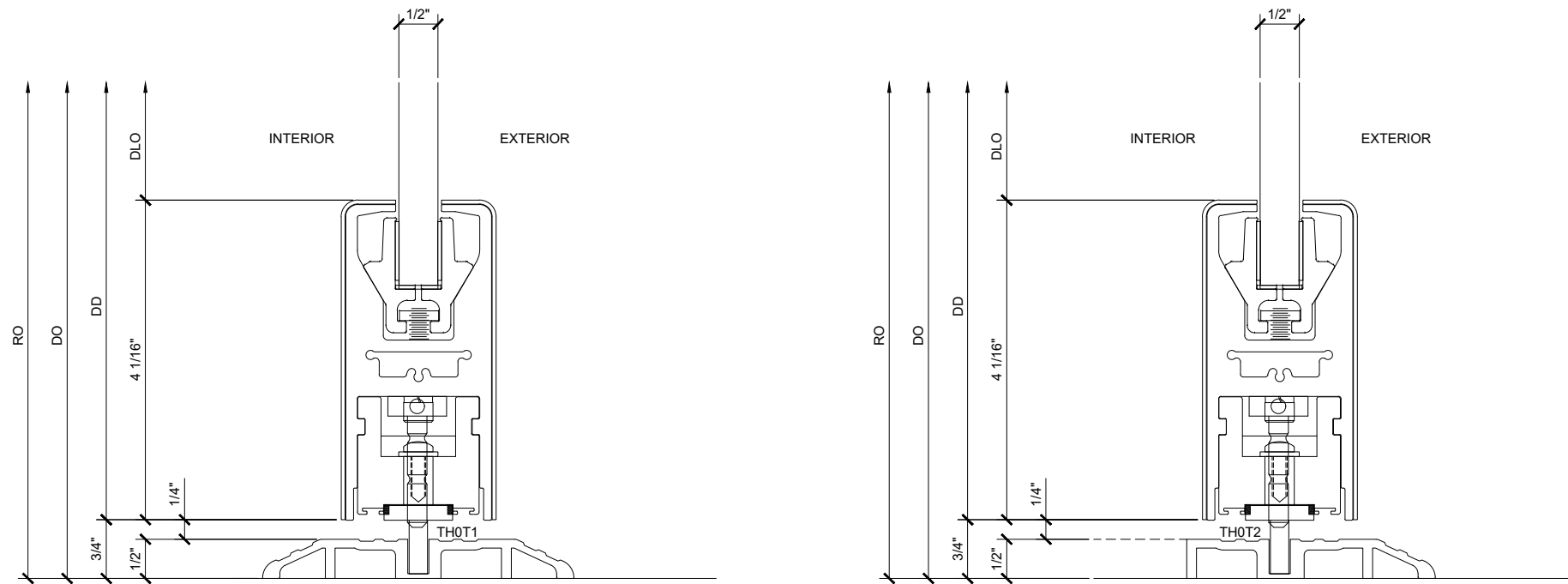
Drawn By: TG
 Date: 07-31-2017
 Scale: AS NOTED
 File Name:
 OR8.dwg

Sheet



C.R. LAURENCE CO. ARCHITECTURAL PRODUCTS
2503 E. Vernon Avenue, Los Angeles, CA 90058-1897
PH (800)-421-6144 FX: 800-587-7501 www.crlaurence.com

Description:
CRL OVERHEAD TRACK
FULL PANEL BI-FOLD
DOOR SYSTEMS
FOR 1/2" GLASS



① SILL DETAIL WITH OPTIONAL THRESHOLDS

ARCH REF: N/A

1-0"=1'-0"

Drawn By: TG

Date: 07-31-2017

Scale: AS NOTED

File Name:

ORB.dwg

Sheet