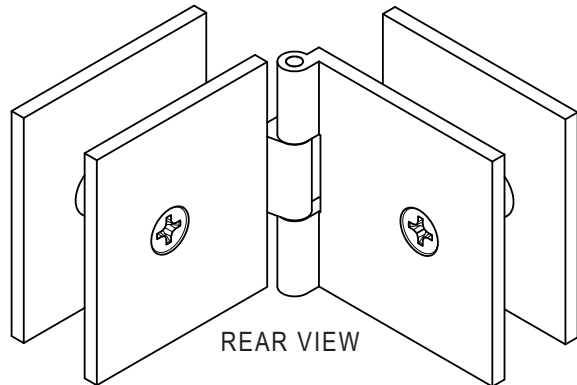
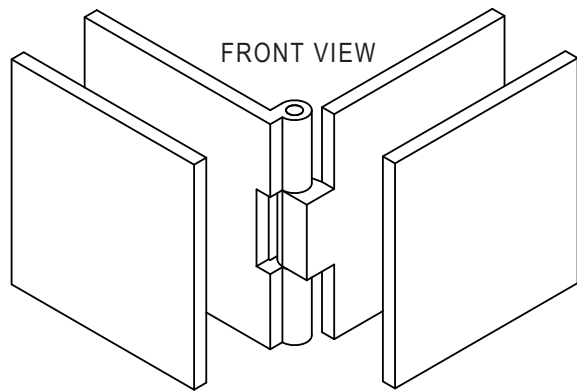
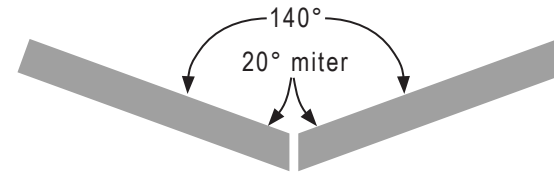




**C.R. LAURENCE CO., INC.**  
PROFESSIONAL QUALITY



**Note:** The ADJSQ180 Adjustable Square Glass-to-Glass Clamp is designed for use in joining two pieces of glass that come together at a non-traditional angle. The table below addresses hole dimensions for each of the two panels of glass, evenly dividing the angle and having equal miters on each piece of glass.



**Example**

To determine the correct miter to use on each piece, use the following formula:  
**FORMULA:** 180 minus "A" divided by 2 = your miter ("A" = your angle)  
**Example:** the angle is 140 degrees. 180 - 140 = 40. 40 / 2 = 20 degree miter on each piece of glass.

## Specifications:

**Material:** Solid brass

**Glass Thickness Range:** 5/16" (8mm) to 1/2" (12mm)

**Hole Size Required:** 7/8" (22mm)

**Includes:** Mounting screws and gaskets

# GLASS CLAMPS

Adjustable Square Glass-to-Glass Clamp

**Cat No. ADJSQ180**

Angle	Dimension from longpoint of miter to center of 7/8" (22mm) diameter holes
90 - 95 Degrees	1-7/8" (48 mm)
96 - 100 Degrees	1-3/4" (44 mm)
101 - 105 Degrees	1-11/16" (43 mm)
106 - 110 Degrees	1-5/8" (41 mm)
111 - 115 Degrees	1-5/8" (41 mm)
116 - 120 Degrees	1-5/8" (41 mm)
121 - 125 Degrees	1-9/16" (40 mm)
126 - 130 Degrees	1-1/2" (38 mm)
131 - 135 Degrees	1-1/2" (38 mm)
136 - 140 Degrees	1-7/16" (37 mm)
141 - 145 Degrees	1-3/8" (35 mm)
146 - 150 Degrees	1-3/8" (35 mm)
151 - 155 Degrees	1-5/16" (33 mm)
156 - 160 Degrees	1-5/16" (33 mm)
161 - 165 Degrees	1-5/16" (33 mm)
166 - 170 Degrees	1-1/4" (32 mm)
171 - 175 Degrees	1-1/4" (32 mm)
176 - 180 Degrees	1-3/16" (30 mm)

**Note:** All dimensions above already provide for a 1/16" (1.5 mm) clearance between the two pieces of glass.