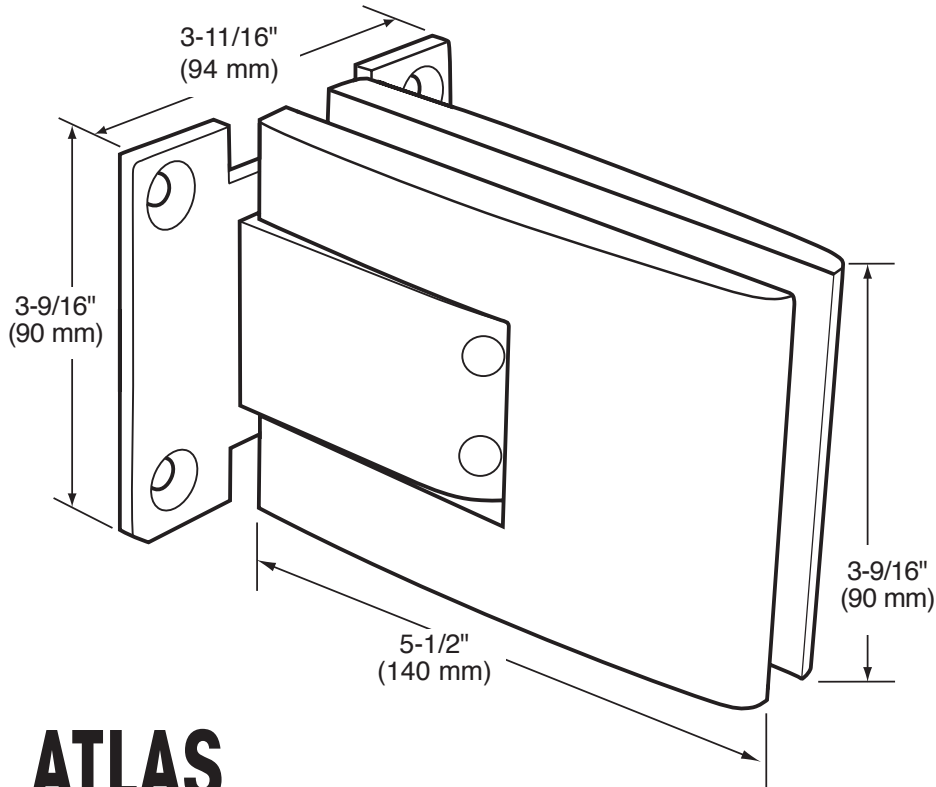




C.R. LAURENCE CO., INC.
PROFESSIONAL QUALITY



ATLAS

Wall Mount Hinge

Cat. No. ATLO1

*Maximum Door Capacities	5/16" (8 mm) Glass		3/8" (10 mm) Glass		1/2" (12 mm) Glass	
	Weight	Width	Weight	Width	Weight	Width
*Using 2 Hinges	140 lbs. (63.5 kg)	39" (991 mm)	140 lbs. (63.5 kg)	39" (991 mm)	140 lbs. (63.5 kg)	39" (991 mm)

***NOTE:** Maximum of 2 hinges. Never use 3 hinges under any circumstance.

C.R. Laurence Co., Inc.
 crlaurence.com

For technical assistance in the United States call toll free (800) 421-6144; from Canada call toll free (877) 421-6144; Outside the U.S. and Canada call (323) 588-1281. Ask for Tech Sales at Extension 7740. Toll free fax (800) 458-7496.

Important Information:

This Atlas Hinge is spring-loaded and designed to self-center from 0-50 Degrees and Precise Closing to 0 Degrees.

Specifications:

Glass Thickness Range: 5/16" to 1/2" (8 to 12 mm)

Construction: Solid Brass

Hinge Swings: 90 Degrees Inward and Outward

Closing Type: Self-Centering From 0-50 Degrees and Precise Closing to 0 Degrees

Cutout and Hole Required

Includes: Gaskets, Screws and Glass Fabrication Dimensions

Use of Gaskets:

For 5/16" (8 mm) Glass: Use one thick gasket on each side

For 3/8" (10 mm) Glass: Use one medium gasket on each side

For 1/2" (12 mm) Glass: Use one thin gasket on each side

Recommendations:

For public safety, we recommend the use of only tempered safety glass. Do not use power tools when installing these hinges.

Maintenance Guidelines:

- Our hinges are greased at the factory for quiet and trouble-free operation. If there is any squeaking that occurs after installation, put a drop of "3 in 1 Oil" (also known as "household oil") on the washer that the hinge body pivots on. This washer is the component that acts as a buffer, so the body of the hinge doesn't pivot directly on the brass center block. This solution doesn't require the disassembly of the hinge.

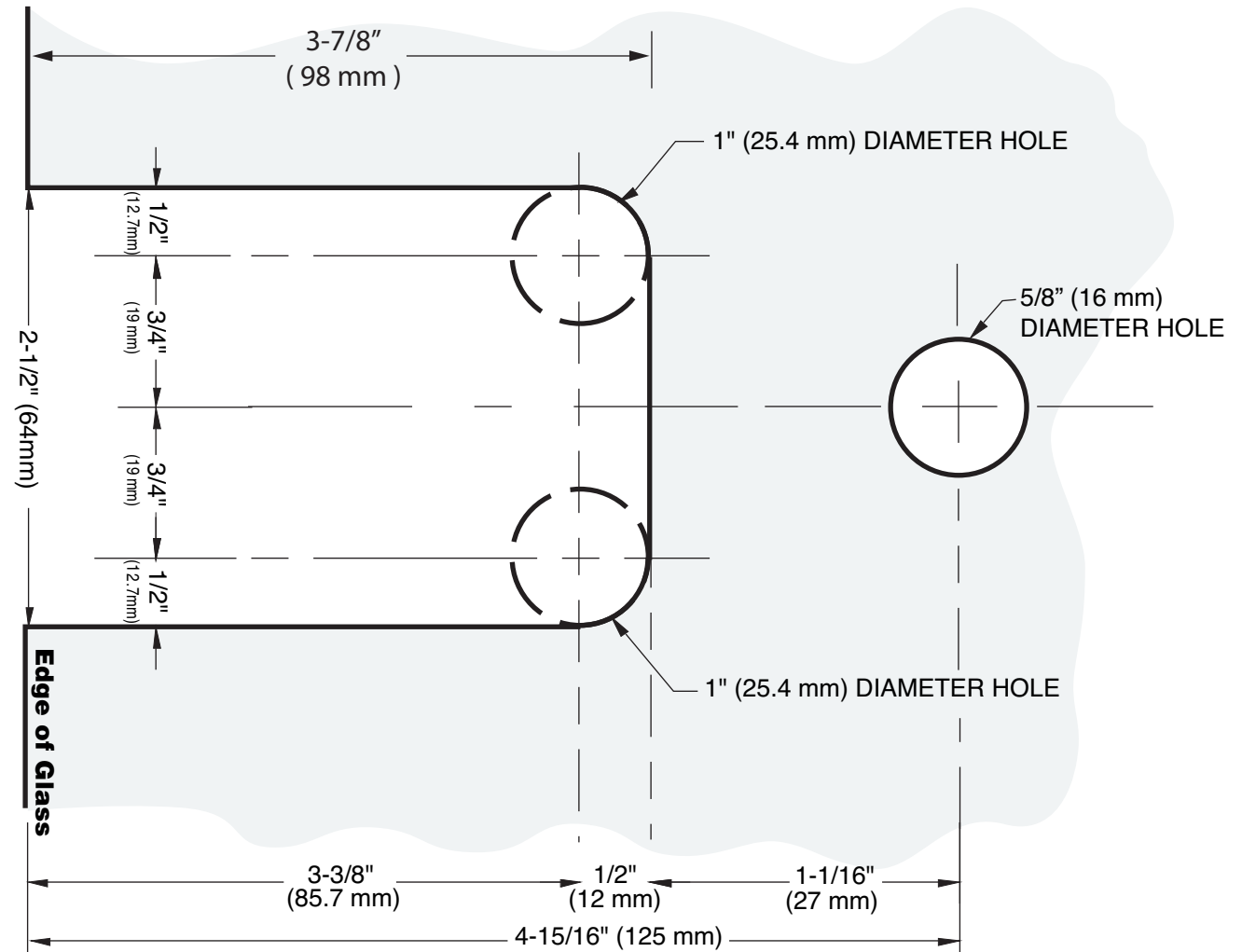
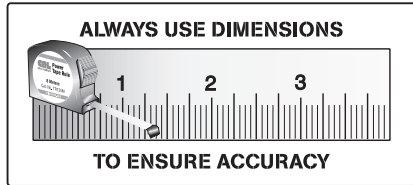
Note: Do not use spray lubricant on these hinges. If the hinge has been disassembled, upon re-assembly, use white lithium grease to lubricate the interior mechanism.

- Never use an abrasive cleaner on the hardware. Many of the components are coated with a clear lacquer that will be irreparably damaged if subjected to harsh, abrasive chemicals. Advise your customer that drying the hardware with a clean, soft towel on a daily basis is the best way to maintain the hardware. If mineral deposits build-up, mix a couple of drops of a mild liquid soap (such as Ivory or a similar product) into a cup of warm water. Using a soft, non-abrasive cloth, clean the hardware. Rinse thoroughly with clean, warm water and dry.



C.R. LAURENCE CO., INC.
PROFESSIONAL QUALITY

Important: Project measurements from the edge of the glass.



ATLAS

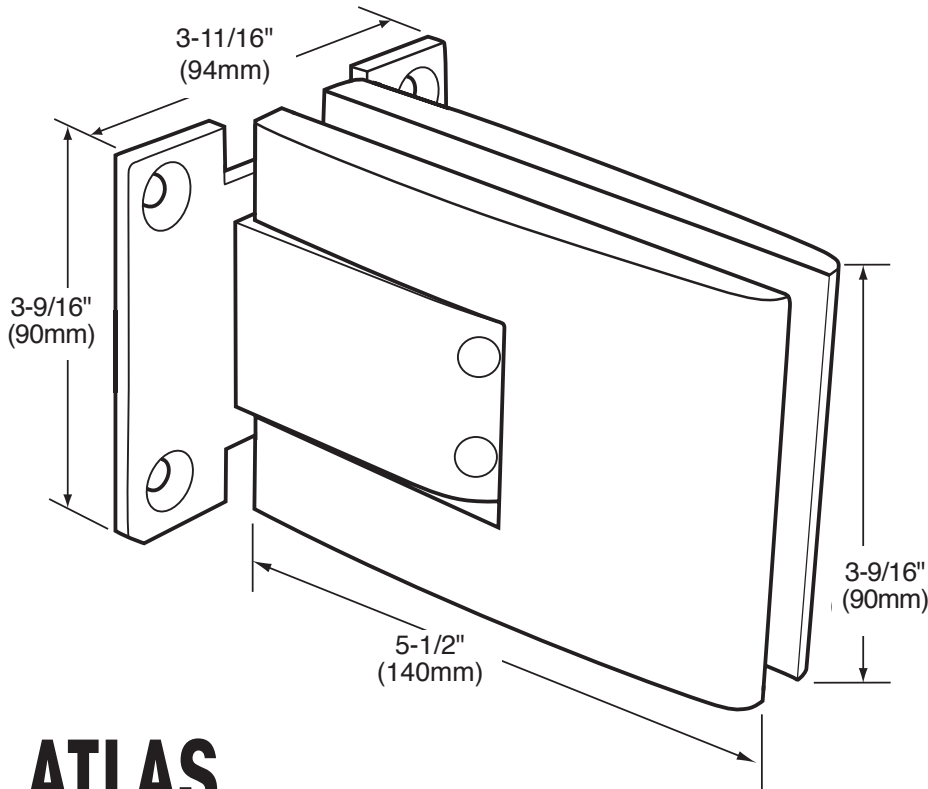
Wall Mount Hinge
CAT. No. ATLO1

C.R. Laurence Co., Inc.
crlaurence.com

For technical assistance in the United States call toll free (800) 421-6144; from Canada call toll free (877) 421-6144; Outside the U.S. and Canada call (323) 588-1281. Ask for Tech Sales at Extension 7740. Toll free fax (800) 458-7496.



C.R. LAURENCE CO., INC.
PROFESSIONAL QUALITY



ATLAS

Wall Mount Hinge

CAT. No. ATLO1

Special 1/8" to 3/16" Clearance

*Maximum Door Capacities	5/16" (8mm) Glass		3/8" (10mm) Glass		1/2" (12mm) Glass	
	Weight	Width	Weight	Width	Weight	Width
*Using 2 Hinges	140 lbs. (63.5 kg)	39" (991mm)	140 lbs. (63.5 kg)	39" (991mm)	140 lbs. (63.5 kg)	39" (991mm)

*NOTE: Maximum of 2 hinges. Never use 3 hinges under any circumstance.

C.R. Laurence Co., Inc.
crlaurence.com

For technical assistance in the United States call toll free (800) 421-6144; from Canada call toll free (877) 421-6144; Outside the U.S. and Canada call (323) 588-1281. Ask for Tech Sales at Extension 7740. Toll free fax (800) 458-7496.

Important Information:

This Atlas Hinge is spring-loaded and designed to self-center from 0-50 Degrees and Precise Closing to 0 Degrees.

Specifications:

Glass Thickness Range: 5/16" to 1/2" (8 to 12 mm)

Construction: Solid Brass

Hinge Swings: 90 Degrees Inward and Outward

Closing Type: Self-Centering From 0 to 50 Degrees and Precise Closing to 0 Degrees

Cutout and Hole Required

Includes: Gaskets, Screws and Glass Fabrication Dimensions

Use of Gaskets:

For 5/16" (8 mm) Glass: Use one thick gasket on each side

For 3/8" (10 mm) Glass: Use one medium gasket on each side

For 1/2" (12 mm) Glass: Use one thin gasket on each side

Recommendations:

For public safety, we recommend the use of only tempered safety glass. Do not use power tools when installing these hinges.

Maintenance Guidelines:

- Our hinges are greased at the factory for quiet and trouble-free operation. If there is any squeaking that occurs after installation, put a drop of "3 in 1 Oil" (also known as "household oil") on the washer that the hinge body pivots on. This washer is the component that acts as a buffer, so the body of the hinge doesn't pivot directly on the brass center block. This solution doesn't require the disassembly of the hinge.

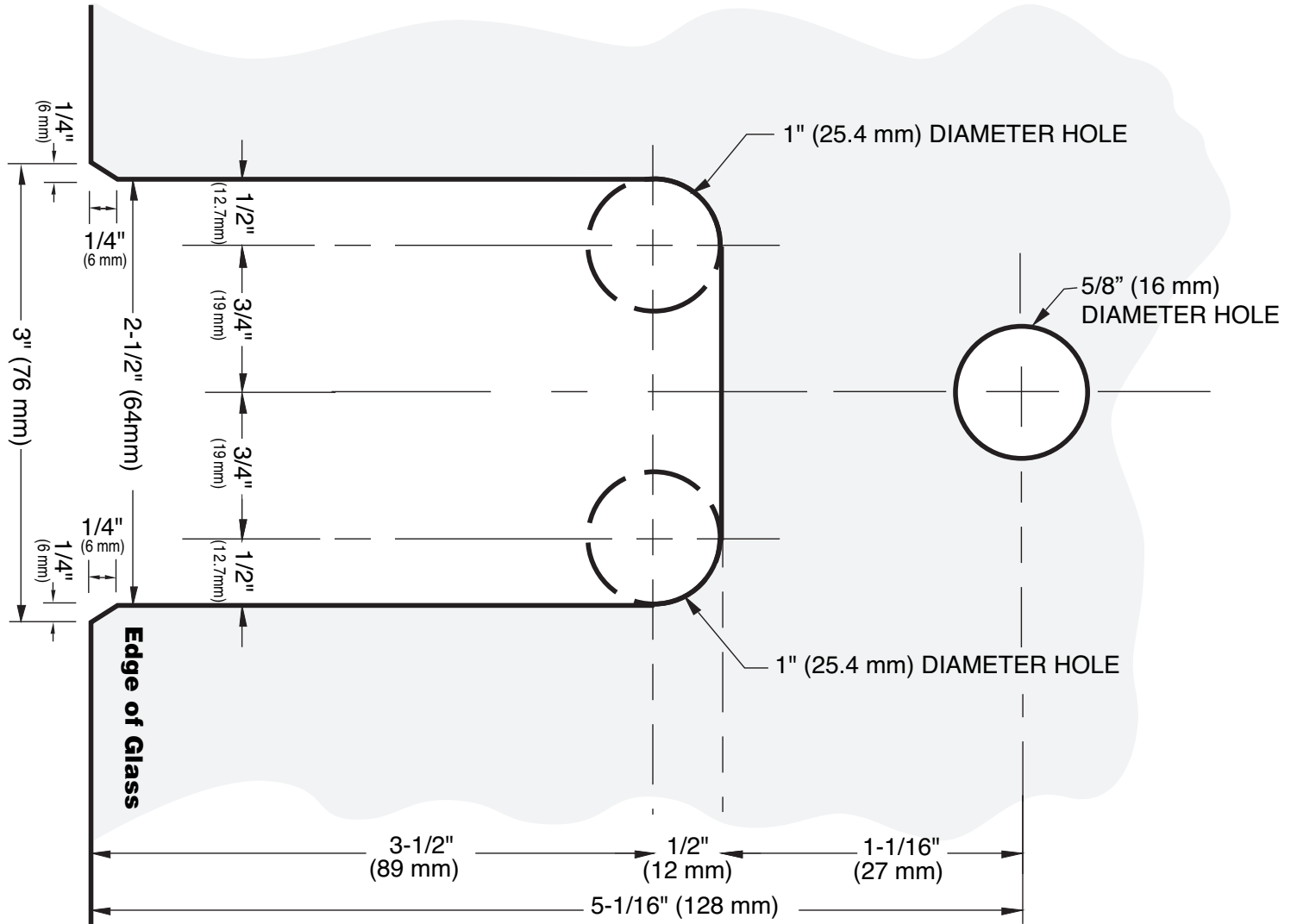
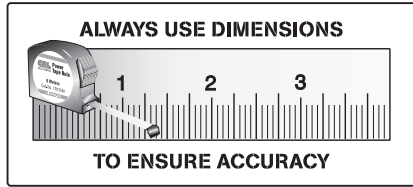
Note: Do not use spray lubricant on these hinges. If the hinge has been disassembled, upon re-assembly, use white lithium grease to lubricate the interior mechanism.

- Never use an abrasive cleaner on the hardware. Many of the components are coated with a clear lacquer that will be irreparably damaged if subjected to harsh, abrasive chemicals. Advise your customer that drying the hardware with a clean, soft towel on a daily basis is the best way to maintain the hardware. If mineral deposits build-up, mix a couple of drops of a mild liquid soap (such as Ivory or a similar product) into a cup of warm water. Using a soft, non-abrasive cloth, clean the hardware. Rinse thoroughly with clean, warm water and dry.



C.R. LAURENCE CO., INC.
PROFESSIONAL QUALITY

Important: Project measurements from the edge of the glass.



ATLAS
Wall Mount Hinge
Cat. No. ATLO1
Special 1/8" to 3/16" (3.2 to 4.8 mm) Clearance Option

C.R. Laurence Co., Inc. For technical assistance in the United States call toll free (800) 421-6144; from Canada call toll free (877) 421-6144; crlaurence.com Outside the U.S. and Canada call (323) 588-1281. Ask for Tech Sales at Extension 7740. Toll free fax (800) 458-7496.