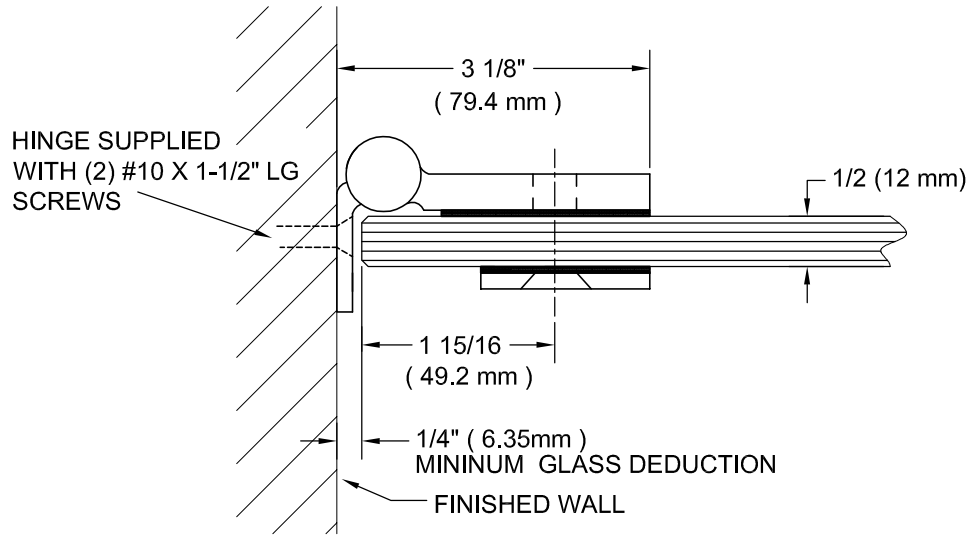
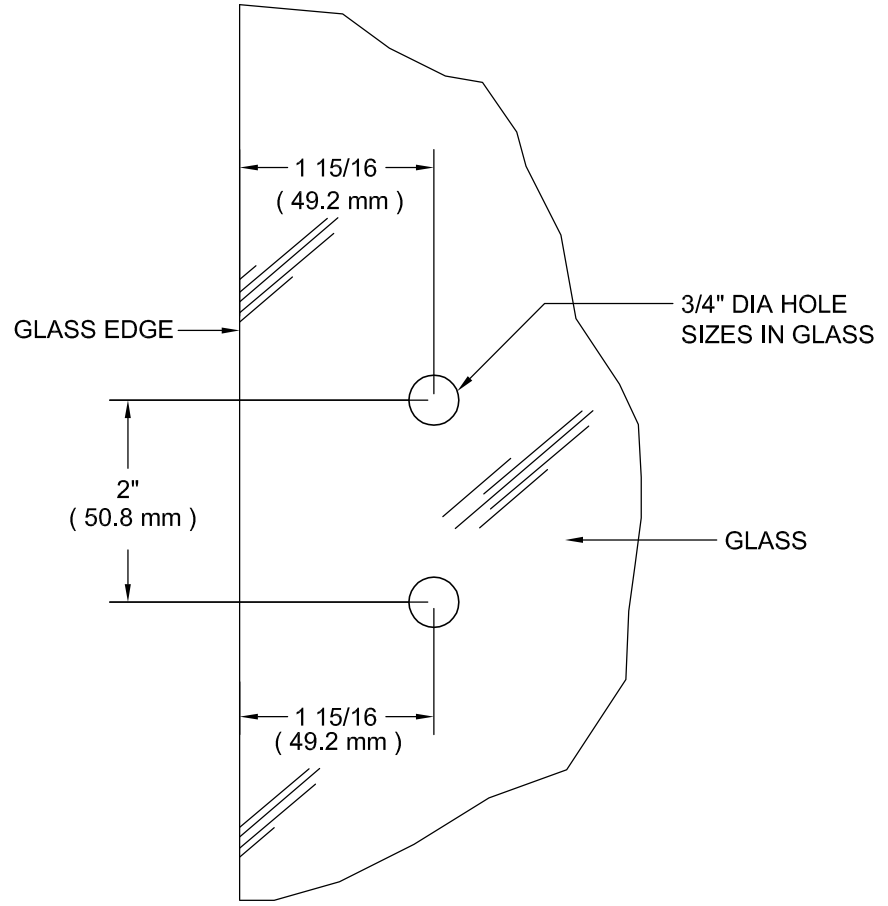


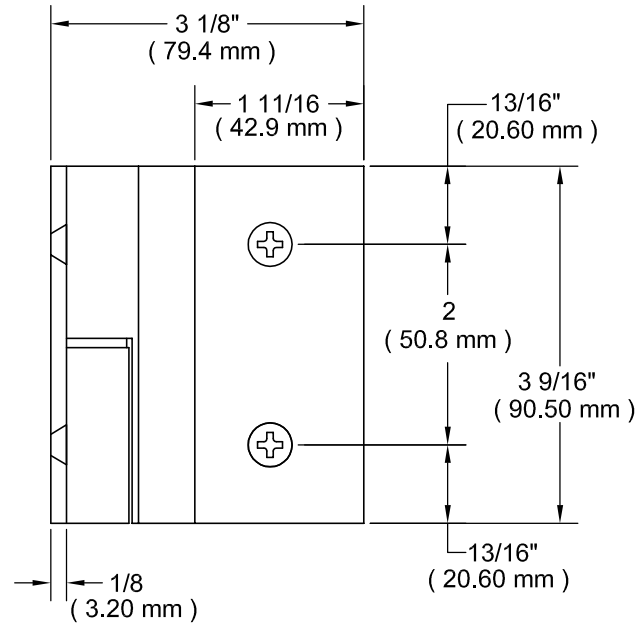
REV	DESCRIPTION	DATE	BY



GH037LBS LH/RHR SHOWN PLAN VIEW



CRL Part # GH037RBS
CRL Part # GH037LBS GLASS FABRICATION TEMPLATE



GH037LBS LH/RHR SHOWN ELEVATION



ARCHITECTURAL PRODUCTS
 PH: 800-421-6144 FX: 800-262-3299
 WWW.CRLAURENCE.COM

DESCRIPTION: CRL Single Acting Wall to-Glass Gate Hinge
 Mat'l: 316 Alloy Brushed or Polished Stainless Steel

CAT. NO: GH037
 FILE NAME: GH037LBS
 DRAWN BY: J.V.
 DATE: 05-14-07
 SCALE: AS SHOWN
 CHECKED BY:
 SHT 1 OF 1