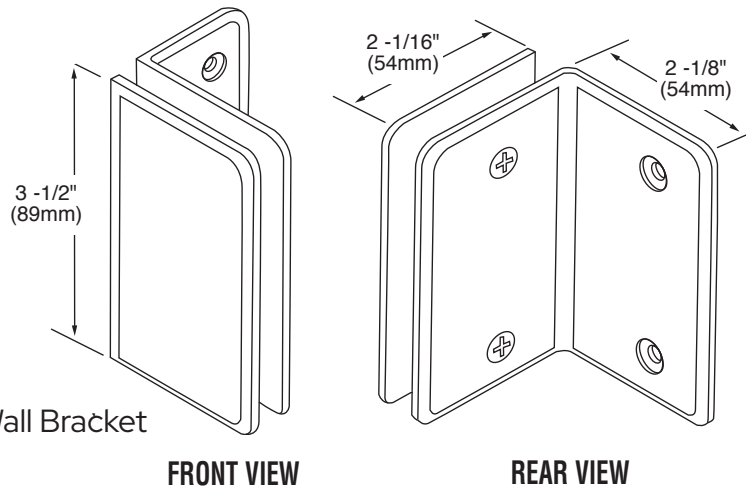


GLASS CLAMPS
Geneva Wall Bracket
CAT. NO. GE90S

Specifications:

Material: Solid brass
Glass Thickness Range: 3/8"(10mm) to 1/2"(12mm)
Hole Size Required: 3/4" (19mm)
Includes: Mounting screws and gaskets

Template Shown on Next Page



GLASS CLAMPS
Pinnacle and Prima Wall Bracket
CAT. NO. P190S

Specifications:

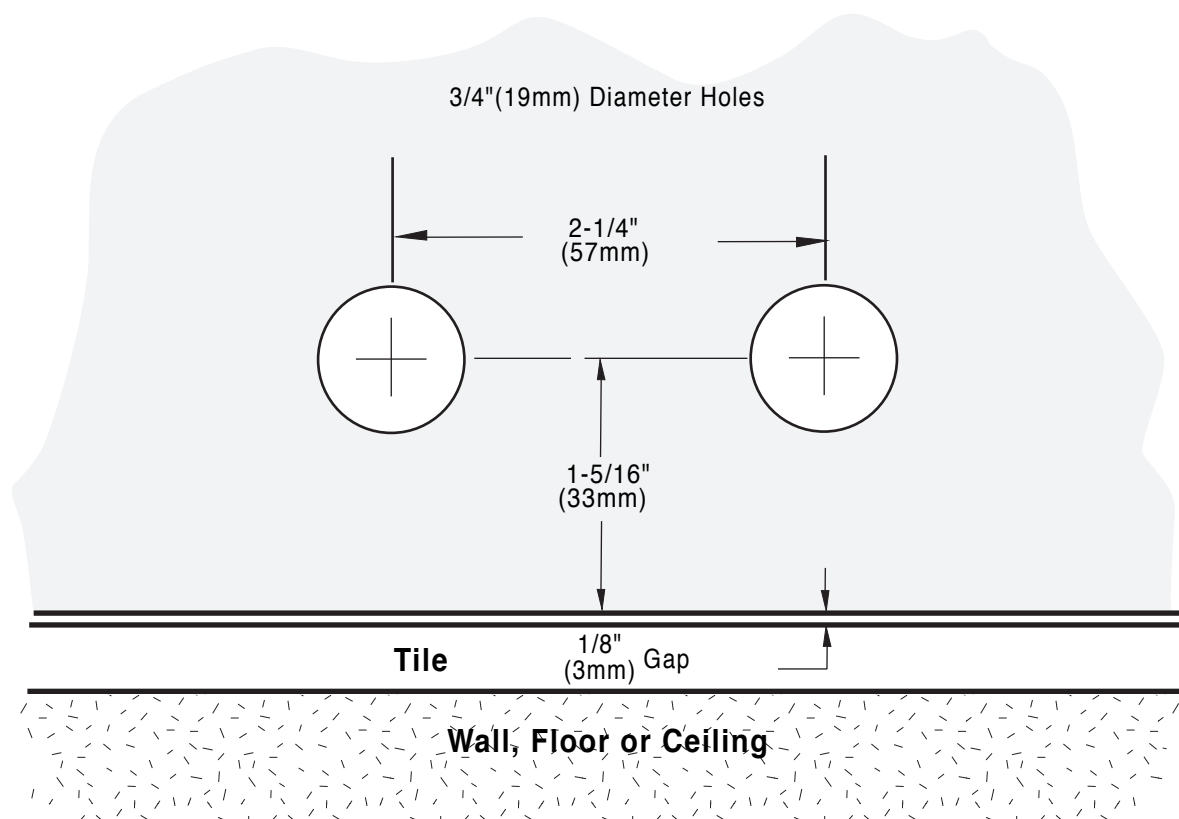
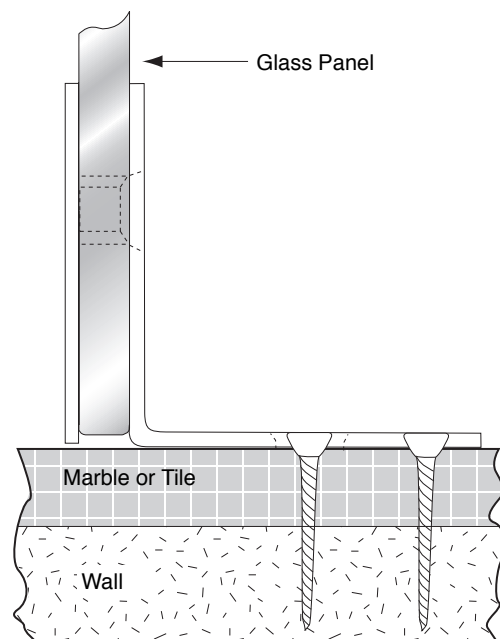
Material: Solid brass
Glass Thickness Range: 3/8"(10mm) to 1/2"(12mm)
Hole Size Required: 3/4" (19mm)
Includes: Mounting screws and gaskets

Template Shown on Next Page

***NOTE:** Do not exceed either maximum weight or width when choosing proper quantity of hinges.

IMPORTANT: Project measurements from the edge of the glass.

TYPICAL INSTALLATION



ALWAYS USE DIMENSIONS
TO ENSURE ACCURACY

GLASS CLAMPS

Geneva Wall Mount Bracket | Pinnacle and Prima Wall Bracket

CAT. NO. GE90S | CAT. NO. P190S