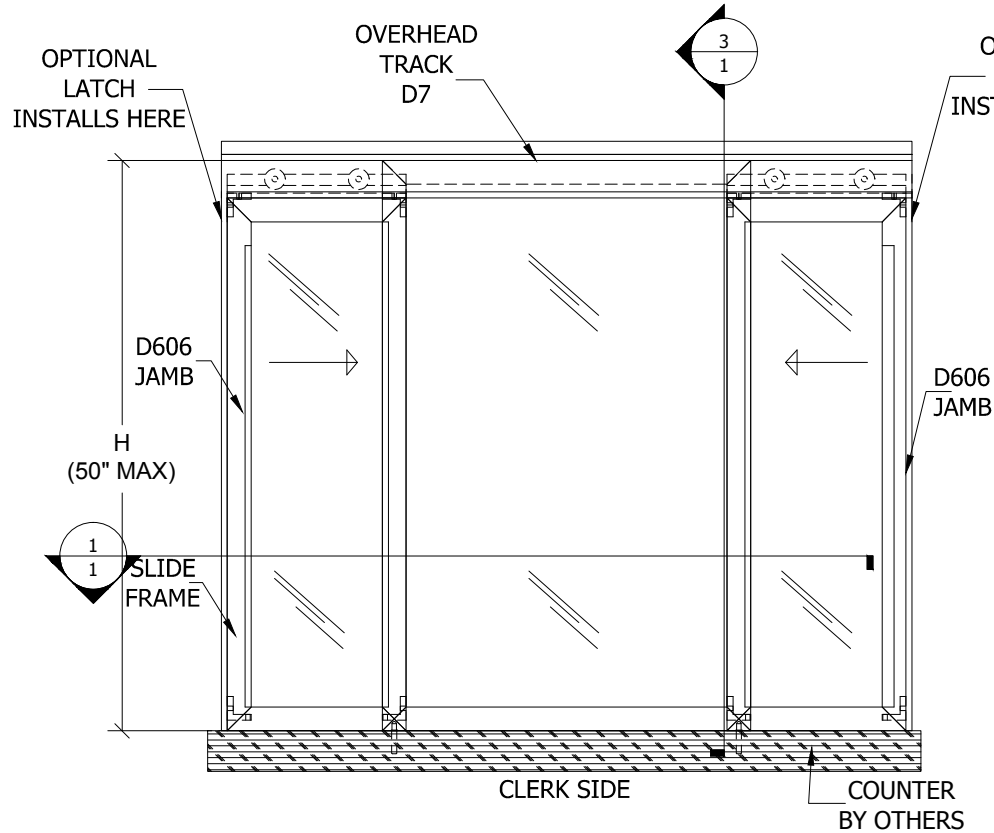
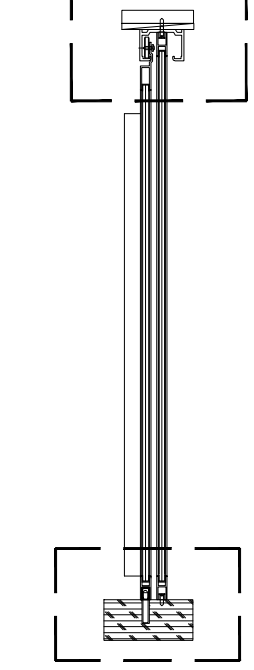


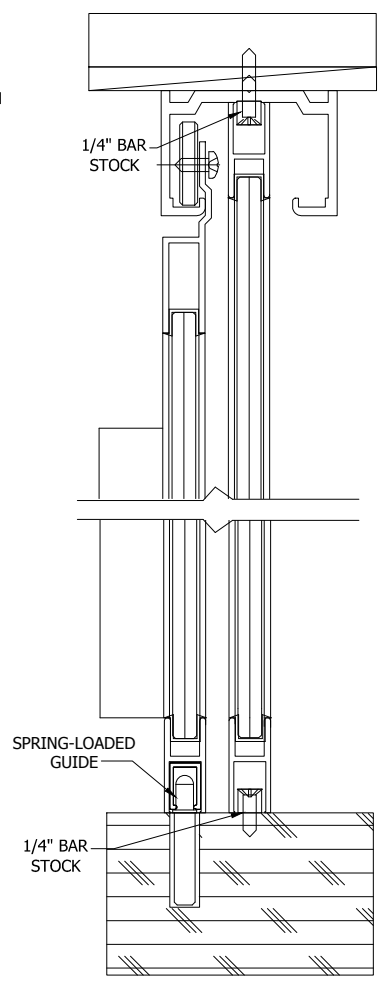
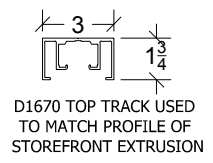
REV	DESCRIPTION	DATE	BY



2 ELEVATION VIEW  
REF: Scale: NTS.



3 SECTION VIEW  
Scale: NTS.



4 SECTION VIEW  
Scale: NTS.



1 PLAN VIEW  
REF: Scale: NTS.

ALWAYS USE DIMENSIONS SHOWN ON THE PLAN.  
DO NOT SCALE OR DIMENSION ACTUAL DRAWING  
TO ENSURE ACCURACY

CAT. NO.	FINISH	OVERHEAD	SCREEN
D1025A	SATIN ANODIZED	D7	YES
D1025DU	DURANODIC BRONZE	D7	YES
D1026A	SATIN ANODIZED	D1670	YES
D1026DU	DURANODIC BRONZE	D1670	YES
D1027A	SATIN ANODIZED	D7	NO
D1027DU	DURANODIC BRONZE	D7	NO
D1028A	SATIN ANODIZED	D1670	NO
D1028DU	DURANODIC BRONZE	D1670	NO



ARCHITECTURAL PRODUCTS  
PH: 800-421-6144 FX: 800-262-3299  
WWW.CRLAURENCE.COM

DESCRIPTION: **FAWN MODEL PASS-THRU**  
MODELS D1027 & D1028 INTERIOR USE ONLY

CAT. NO: D1025 / D1027	DATE: 3-22-13
FILE NAME: D1025A & D1027A	SCALE: AS SHOWN
DRAWN BY: J.V.	CHECKED BY: R.D.
SHT 1 OF 1	