

INSTALLATION INSTRUCTIONS

CRL SERIES DW4836 / DW4836S HEAVY DUTY MANUAL SLIDING SERVICE WINDOW STANDARD SIZE MODELS



DW4836 Standard Aluminum Half
Track Shown from Clerk Side
(No Track under Sliding Panel)



DW4836S Standard Stainless Steel
Step Sill Shown from Clerk Side
(Water Dam for Exterior Applications)

CRL[®]

Phone: (800) 395-2212 • Fax: (800) 458-7496
Email: transaction@crlaurence.com
crlaurence.com • usalum.com • crl-arch.com

TABLE OF CONTENTS

INTRODUCTION	3
STANDARD MODEL NUMBERS AND DESCRIPTIONS	3
DW4836 Standard Half Track Models:	3
DW4836S Standard Step Sill Models:	3
Part Number Logic	3
SPECIFICATIONS	4
GLAZING GUIDELINES	5
Glass Fabrication	5
Glazing Vinyl	5
WINDOW BENCH TEST CHECKLIST	5
Included Materials	5
Recommended Tools and Materials (Not Included)	5
INSTALLATION REQUIREMENTS	6
Confirm a Square and Level Opening	6
Working with an Out-of-Square / Unlevel Opening	6
GLAZING	7 - 8
Re-Glazing Panels (Installed Units)	8
OPTIONAL DWKEYLOCK INSTALLATION	9 - 10
Installation on DW4836 Standard Half Track	9 - 10
Installation on DW4836S Standard Step Sill	10
DW4836 HALF TRACK INSTALLATION	11 - 12
Perimeter Sealing and Finishing	12
DW4836S STEP SILL INSTALLATION	12

IMPORTANT: READ THIS MANUAL THOROUGHLY BEFORE BEGINNING INSTALLATION

INTRODUCTION

CRL Standard Size Manual Deluxe Service Windows are shipped fully assembled, ready to glaze or factory glazed and ready to install. They are designed for heavy-duty commercial use such as drive-thru or walk-up service and are also popular for interior applications needing enhanced security and performance.

STANDARD MODEL NUMBERS AND DESCRIPTIONS

NOTE: All Standard Models Below are 47-1/2" Wide by 35-3/4" High Net Frame Size.

DW4836 Standard Half Track Models:

Aluminum track under fixed panel, no track under sliding panel for clear counter area.

Half Track requires overhang in exterior applications.

MODEL NUMBER	"OX" Clerk Side X = Sliding	"XO" Clerk Side X = Sliding	"G" Glazed 1/4" Tempered Glass	"U" Unglazed 1/4" and 1/2" Vinyl Provided	"A" Satin Anodized Finish	"DU" Duranodic Bronze Finish
DW4836OXGA	✓		✓		✓	
DW4836OXUA	✓			✓	✓	
DW4836XOGA		✓	✓		✓	
DW4836XOUA		✓		✓	✓	
DW4836OXGDU	✓		✓			✓
DW4836OXUDU	✓			✓		✓
DW4836XOGDU		✓	✓			✓
DW4836XOUDU		✓		✓		✓

DW4836S Standard Step Sill Models:

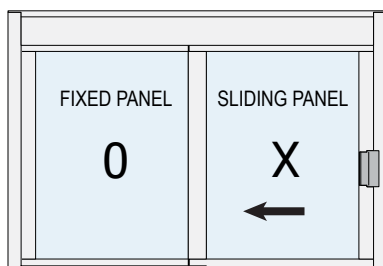
Continuous Stainless Steel Sill creates water dam.

Step Sill designed for exterior use when no overhang is available.

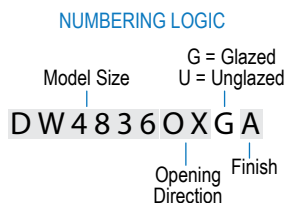
MODEL NUMBER	"OX" Clerk Side X = Sliding	"XO" Clerk Side X = Sliding	"G" Glazed 1/4" Tempered Glass	"U" Unglazed 1/4" and 1/2" Vinyl Provided	"A" Satin Anodized Finish	"DU" Duranodic Bronze Finish
DW4836SOXGA	✓		✓		✓	
DW4836SOXUA	✓			✓	✓	
DW4836SXOGA		✓	✓		✓	
DW4836SXOUA		✓		✓	✓	
DW4836SOXGDU	✓		✓			✓
DW4836SOXUDU	✓			✓		✓
DW4836SXOGDU		✓	✓			✓
DW4836SXOUDU		✓		✓		✓

Part Number Logic

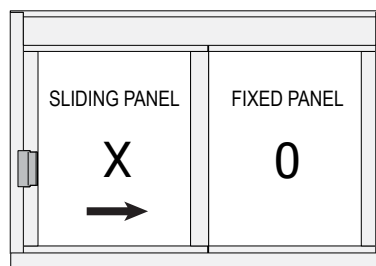
DW4836 STANDARD HALF TRACK MODELS



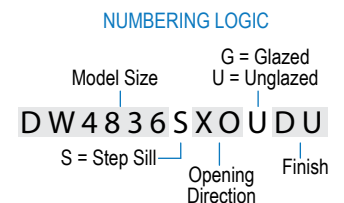
Front View from Clerk Side



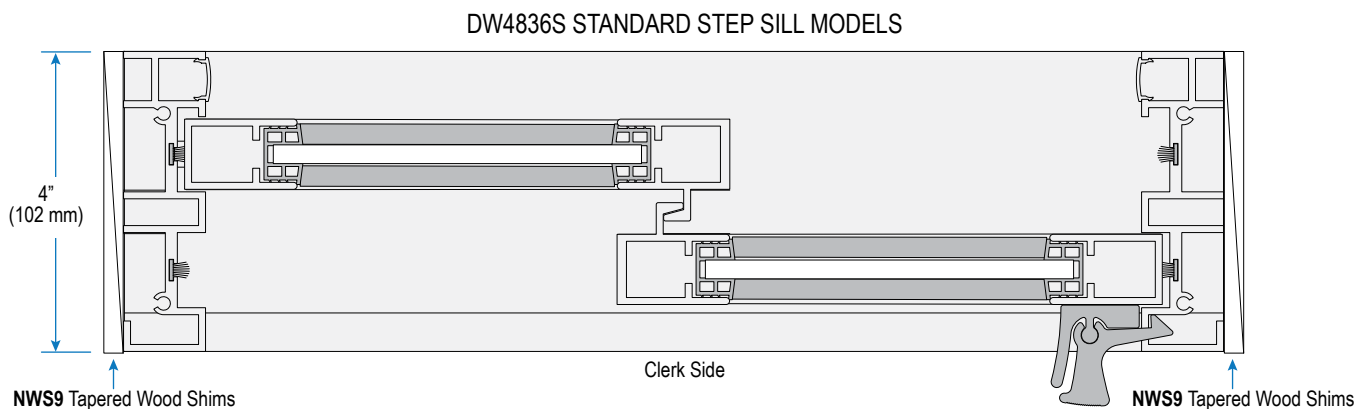
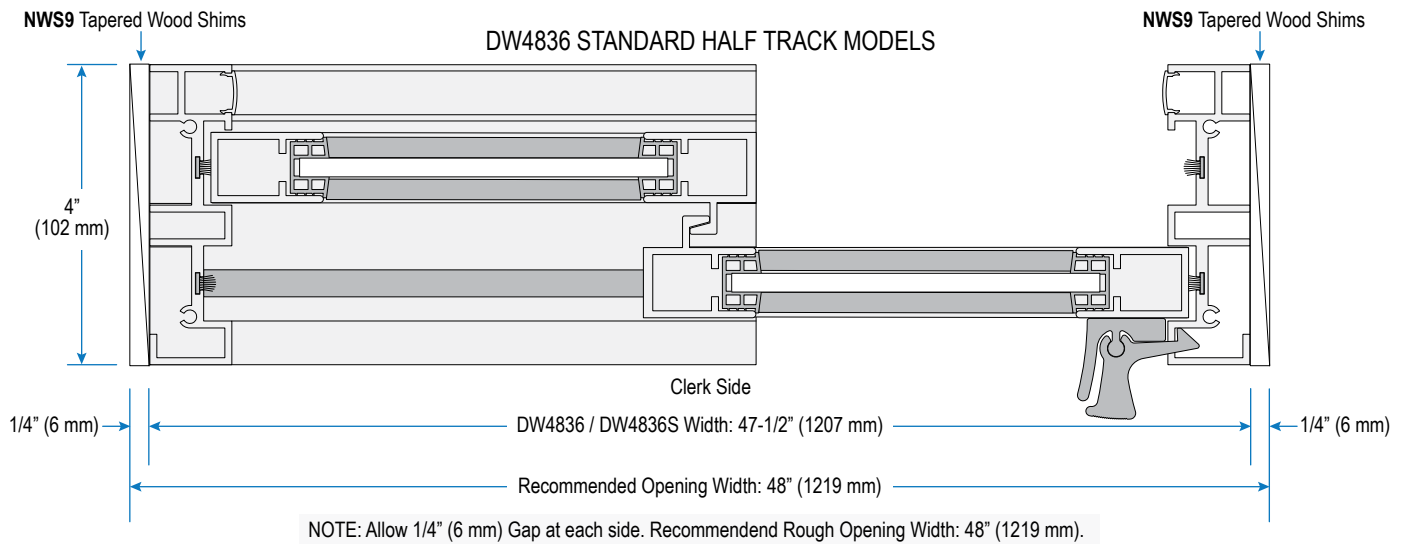
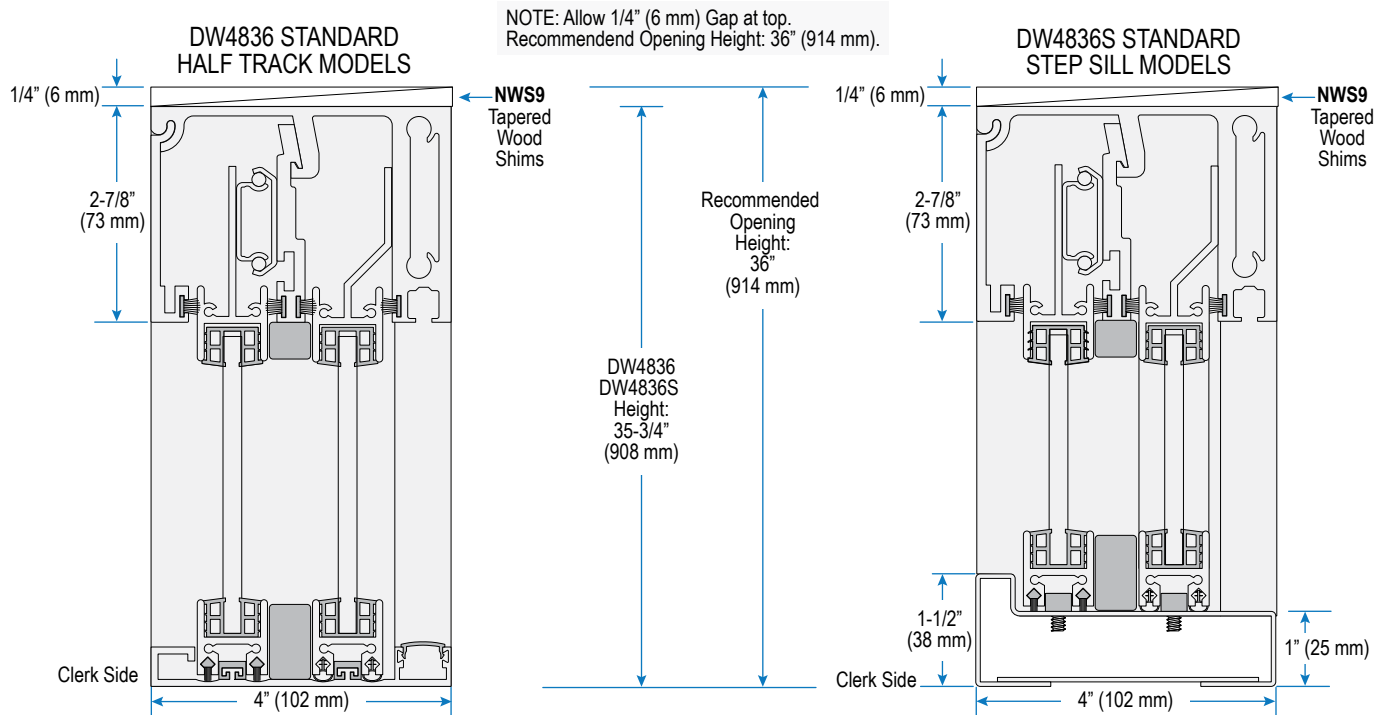
DW4836S STANDARD STEP SILL MODELS



Front View from Clerk Side



SPECIFICATIONS



GLAZING GUIDELINES

NOTE: Disregard this section for Glazed Units.

Glass Fabrication

If you ordered your Deluxe Service Window unglazed, fabricate two equal panels with dimensions listed.

Model Type	Width	Height
DW4836 Standard Half Track Models	21-3/8" (543 mm)	31-15/16" (811 mm)
DW4836S Standard Step Sill Models	21-3/8" (543 mm)	30-15/16" (786 mm)

Glazing Vinyl

Unglazed Models include two sets of glazing vinyl: one for 1/4" glass, and one for 1/2" glass. The larger vinyl will also accept 9/16" glazing.

For 5/8" glass (maximum glass thickness), order CRL **Cat. No. WV3865** separately, 100 foot minimum.

For 3/8" glass, use included 1/2" vinyl with CRL **Cat. No. 982116X34GRY** double-sided adhesive foam tape, sold separately, 200 foot minimum. Wrap edges of glass with tape, leaving backing on edge that enters 1/2" vinyl channel.

IMPORTANT: THE FOLLOWING INSTRUCTIONS WILL REDUCE YOUR CHANCES OF EXPERIENCING PROBLEMS DURING INSTALLATION. PLEASE READ CAREFULLY BEFORE INSTALLING WINDOW.

WINDOW BENCH TEST CHECKLIST

IMPORTANT: Inspect your window and immediately advise CRL of any damage or abnormalities.

1. Unpack the window and remove the wood blocking used to prevent the sliding panel from moving during transit.
2. Bench test the window by opening and closing the sliding panel and testing the handle latching mechanism. Confirm a smooth, consistent open/close slide and ensure the self-latching handle engages fully in its strike slot in the jamb.

NOTE: Squeeze self-latching handle to unlock sliding panel, and slide panel to open. To close, slide panel until the handle clicks into place and latches to the strike slot.

3. Tighten any screws that may have loosened during shipping and confirm panel and perimeter frames are square. Test the slide and the latch engagement again after making any adjustments.

NOTE: If you are unsure how to confirm a frame is square, or have difficulty achieving smooth slides and tight latch engagement during bench tests, contact CRL for assistance.

Models Ordered with Optional Keyed Lock Kit: Confirm all parts are included. Depending on the opening condition, it may be easier to attach the lock before installing the window. See Pages 8 - 9 for installation.

Unglazed Models: See above for Glass Fabrication and Pages 6 - 7 to glaze the unit before installing.

Included Materials

- Window and Components
- 3 oz. tube of 22C Clear Silicone. Use as needed to fill any small gaps between frame members.
NOTE: This tube is not intended to fill the perimeter caulk gap.
- 2" x #10 Flat Head Phillips Stainless Steel Wood Screws. NOTE: For opening substrates requiring different fasteners provided by installer, ensure a good fit with factory drilled countersunk holes in perimeter frame.

Recommended Tools and Materials (Not Included)

- Power Drill
- Caulking Gun
- Phillips Screw Driver
- Allen Wrench
- CRL **Cat. No. 199** Utility Knife
- CRL **Cat. No. NWS9** Tapered Wood Shims
- CRL **Cat. No. 1973** Glass Cleaner
- CRL **Cat. No. 1550** Lint Free Shop Towels
- CRL **Cat. No. M64** Construction Sealant (Select Color)
- Fasteners / Anchors by Installer *

* If supplied wood screws are not appropriate for field conditions.

INSTALLATION REQUIREMENTS

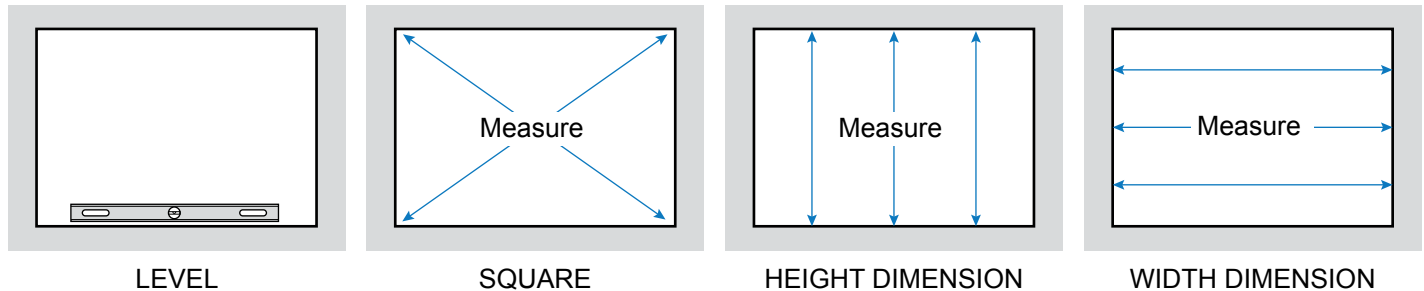
After bench testing the window thoroughly (see Page 5), confirm the wall opening meets the installation requirements for the window.

Confirm a Square and Level Opening

Review and measure the opening. Verify framing is plumb, straight, and true around window opening.

Confirm the opening is square and level. Measure opening diagonally to check squareness.

Verify the window rough opening width and height match the recommended dimensions listed. Measure opening at each end and at center vertically and horizontally. Make corrections to openings as required.



Recommended Rough Opening Width: 48" (1219 mm)
 Recommended Rough Opening Height: 36" (914 mm)

NOTE: The recommended rough opening dimensions are based on 1/4" (8 mm) gap at each side and at the top with the bottom member of the window frame flat on the bottom surface of the wall opening.

Some installers may prefer to have a greater clearance on height, and to add additional shims under the bottom member of the window. If so, this may need to be coordinated with other trades before the window is ordered and/or before the opening is made.

Small variations in clearance are acceptable as long as, when installation is complete, the window frame itself is square and level, operating smoothly, and held securely to maintain that condition.

Confirm that there are no obstructions in the opening that interfere with using the factory drilled countersunk holes in the frame to drive fasteners into the substrate. If there are, determine the best alternate locations to drill and countersink new holes, making sure the countersinks allow the screw head to be flush or slightly below the frame outer surface.

NOTE: If you are unsure how to confirm an opening is square and level, or have questions about differences from the recommended clearances, contact CRL for assistance.

Working with an Out-of-Square / Unlevel Opening

See Pages 11 - 12 and familiarize yourself with the basic steps needed to complete a proper installation.

If your wall opening is not square, and/or has an unlevel bottom, confirm that there is enough room to fit the entire window frame within the opening, and that the uneven gaps can be filled with shims so that the end result is a window frame that can operate smoothly and be held securely in a square and level condition.

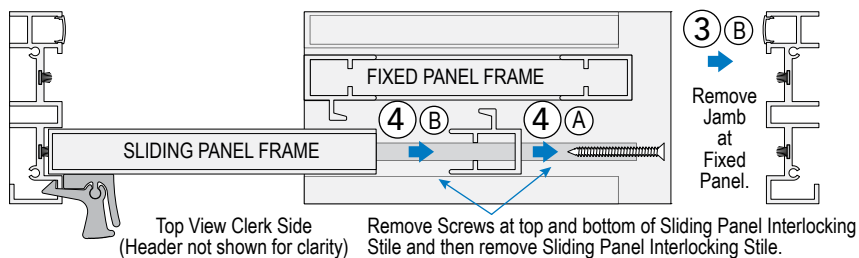
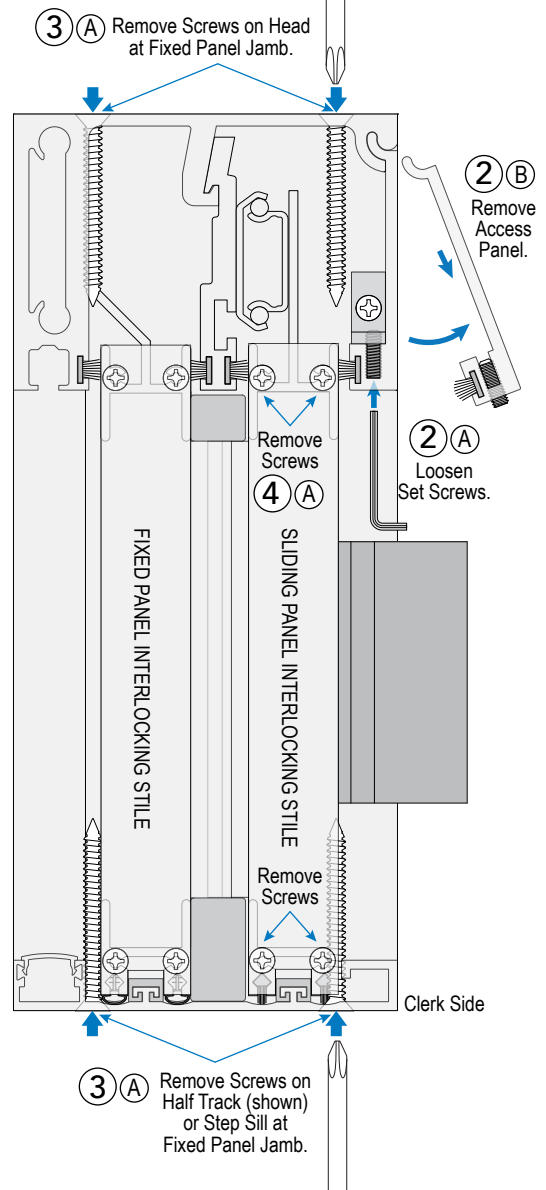
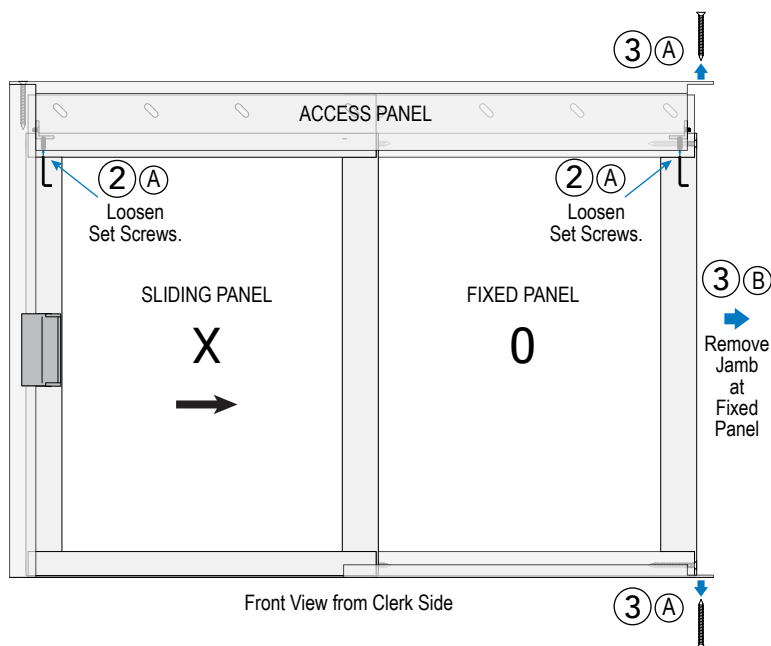
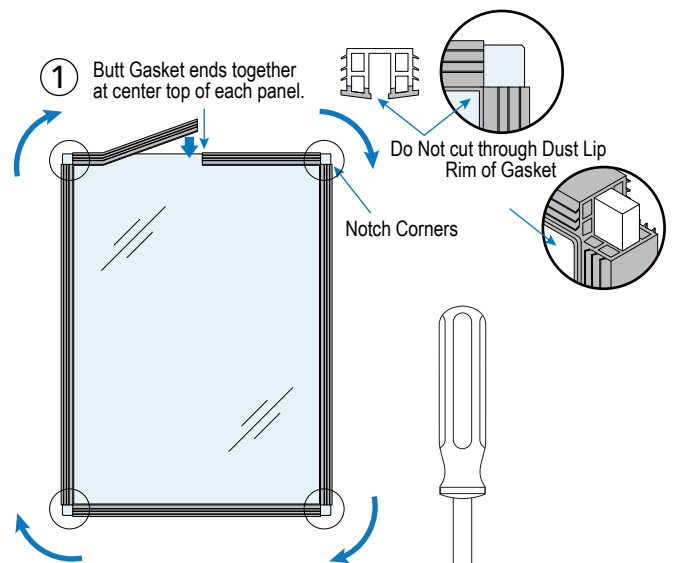
If these requirements cannot be met, correct the opening. Depending on the extent of the out-of-square wall condition, cosmetic steps in addition to final caulk joint may be needed. Contact CRL for assistance.

NOTE: Before beginning installation, see Page 7 - 8 for Glazing Instructions and Page 9 - 10 for optional Keyed Lock Instructions if necessary.

GLAZING

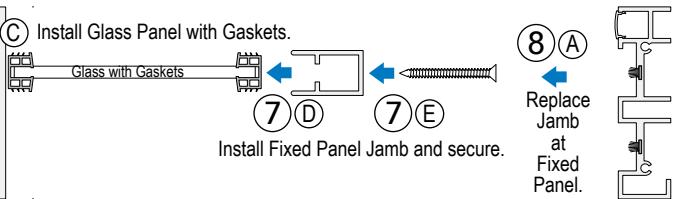
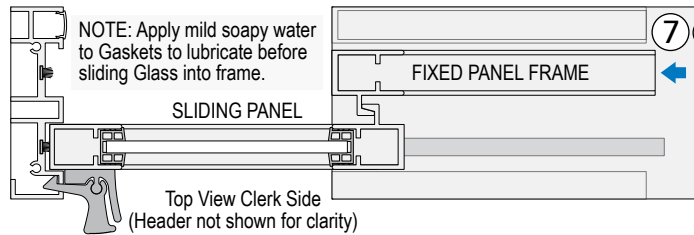
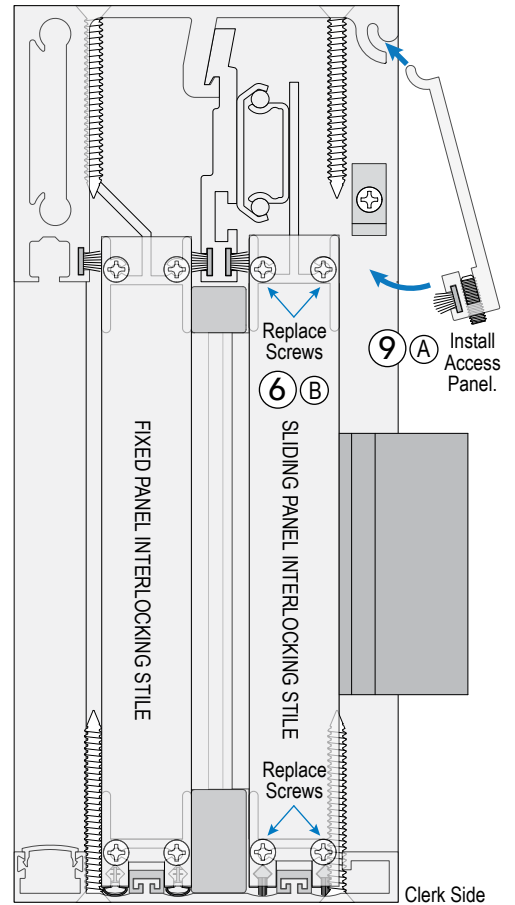
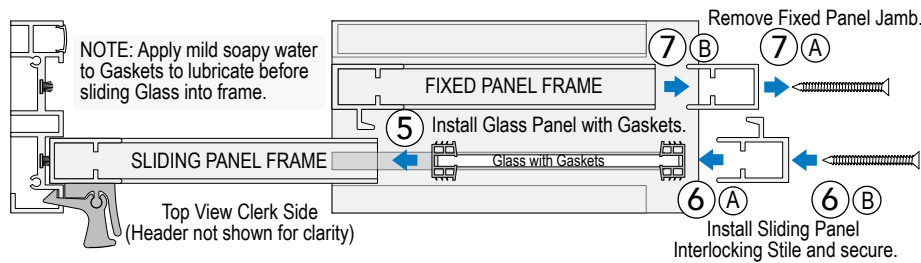
NOTE: Glaze the Sliding and Fixed Panels before installing the unit in the opening. DW4836 Half Track XO Model Shown. Others similar.

1. Uniformly wrap single length of Gasket around each glass panel, with vinyl joint centered on top edge of glass. Notch at corners.
2. Locate Set Screws on Clerk Side bottom edge of Access Panel at Jamb. Loosen screws enough to remove Access Panel from Header. Pull bottom edge of Access Panel away from frame and slide top edge out of groove in Header. Do not completely remove Set Screws.
3. Remove Frame Jamb on the Fixed Panel side of window. The jamb is held by Phillips head screws at the top of the header, and the bottom of the frame (Aluminum Half Track or Stainless Steel Step Sill).
4. Open Sliding Panel and remove Interlocking Stile by loosening Phillips head screws at top and bottom.



GLAZING (CONTINUED)

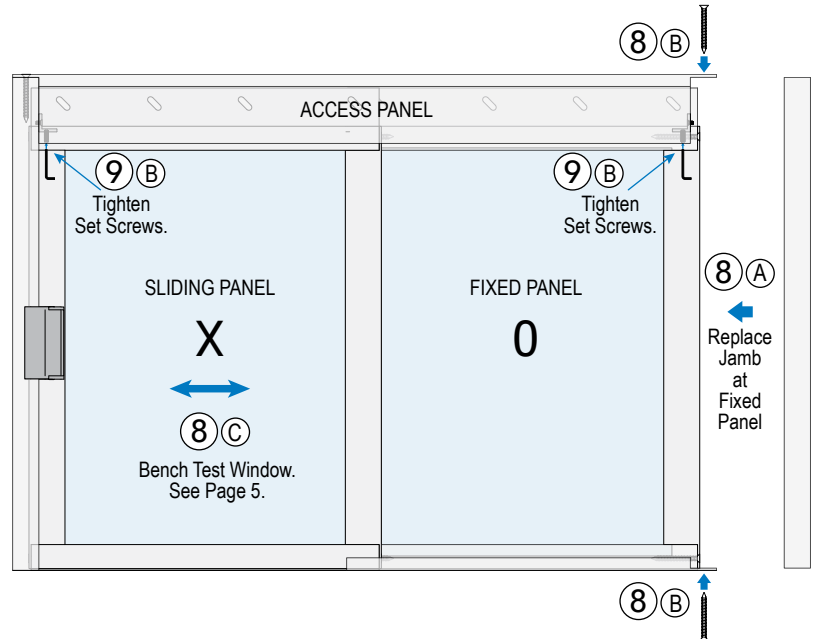
5. Lubricate the gasket on one glass panel with a mild solution of soapy water and insert the glass into the Sliding Panel Frame.
6. Re-install the Sliding Panel Interlocking Stile.
7. Repeat Steps 4 - 6 to glaze Fixed Panel. **NOTE:** Remove Fixed Panel outer jamb instead of Fixed Panel Interlocking Stile.
8. Replace the fixed panel side perimeter jamb. Before replacing the access panel, carefully bench test the window: confirm smooth, consistent open/close slide, confirm good engagement of the self-latching handle in its strike slot in the jamb, and confirm the perimeter frame and glass panel frames are square.
9. Replace the access panel. If necessary, use the supplied tube of 22C silicone to seal the joints on the back of the jamb where it was detached from the header and bottom member during glazing.



Re-Glazing Panels (Installed Units)

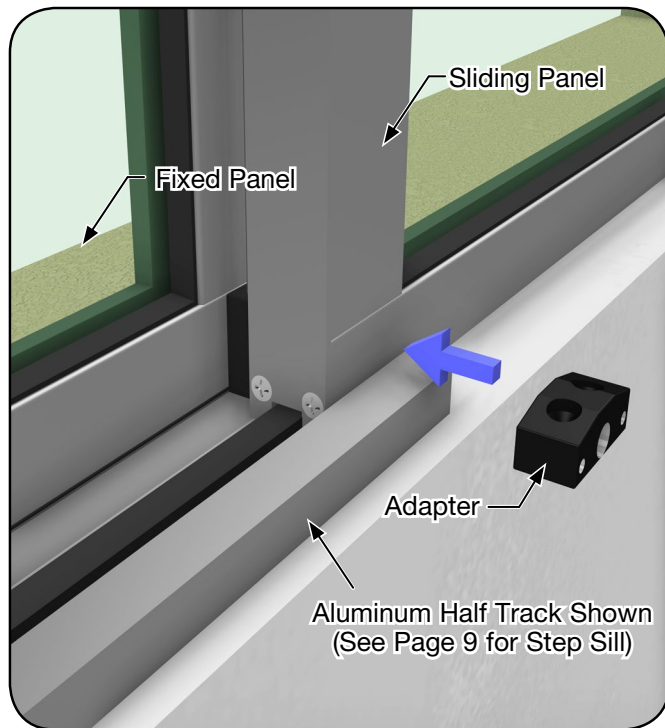
NOTE: Review Glazing Steps 1 - 9 before beginning.

To replace glass on installed units, both the Sliding and Fixed Panels must be accessed by removing the Header Access Panel and the Interlocking Stiles at the center of the unit. To access the Fixed Panel, it may be necessary to remove the entire Sliding Panel, which is hung from the Header Glide Assembly with Phillips head screws, and the black Filler Block at the bottom of the Interlocking Stiles. If the Sliding Panel is removed, be sure to use Loctite (not supplied) when re-attaching to the Glide Assembly. Contact CRL with questions.

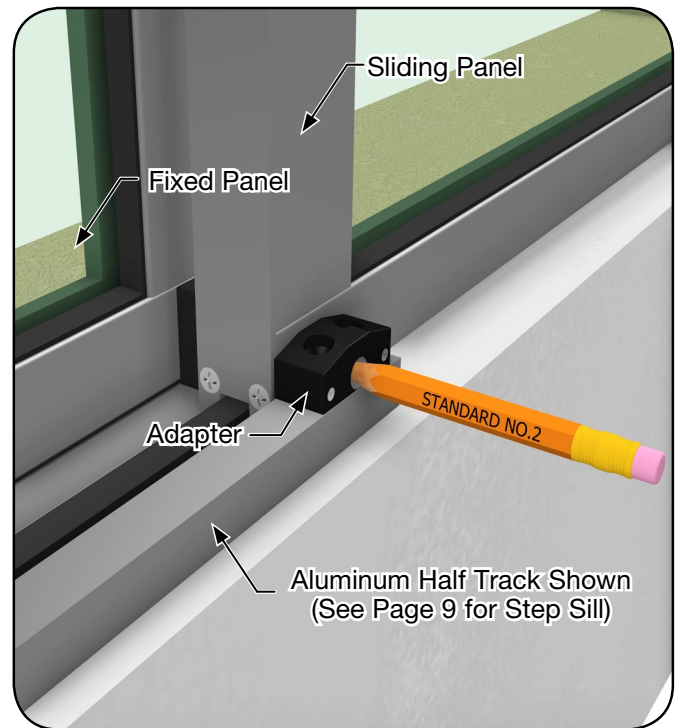


OPTIONAL DWKEYLOCK INSTALLATION

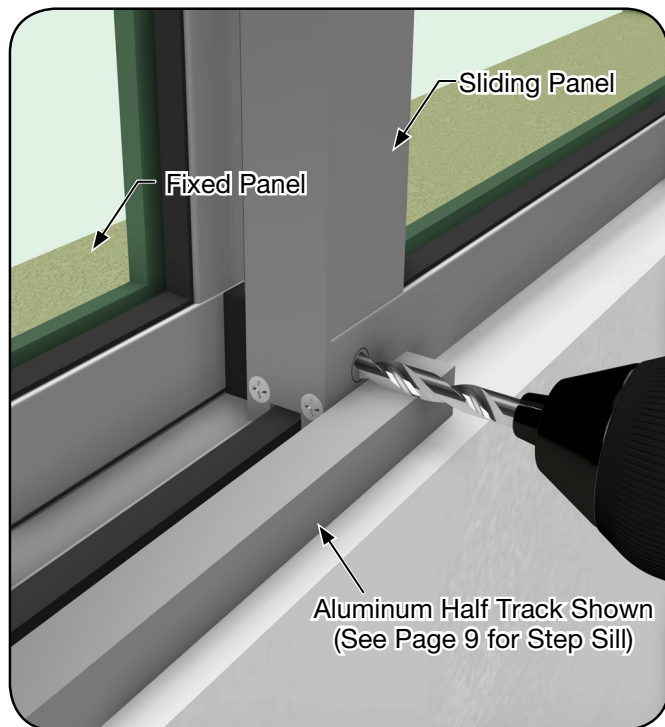
NOTE: CRL Cat. No. DWKEYLOCK, sold separately, includes the plunger lock, adaptor block and screws.
Installation on DW4836 Standard Half Track



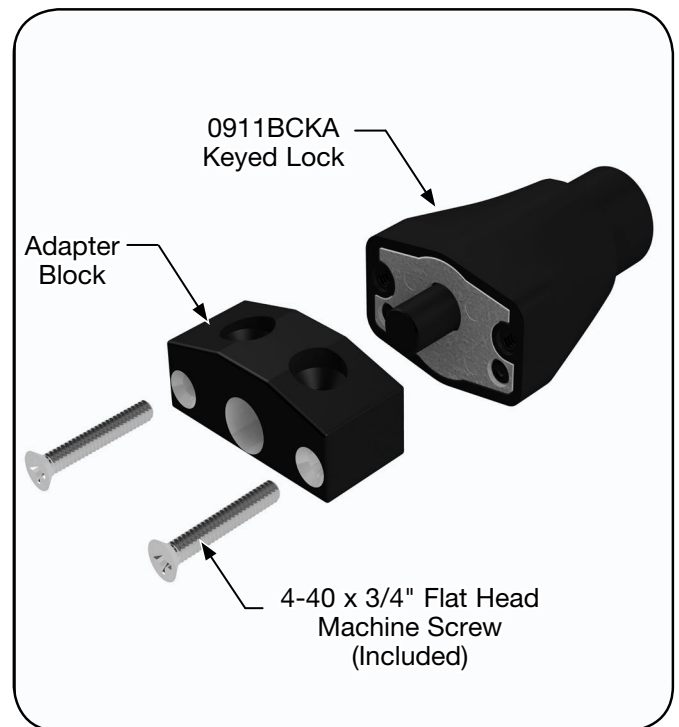
1. Position the Adapter on the track and align with the end of the Sliding Panel.



2. Transfer the clearance hole for the Keyed Lock Pin onto the Sliding Door.



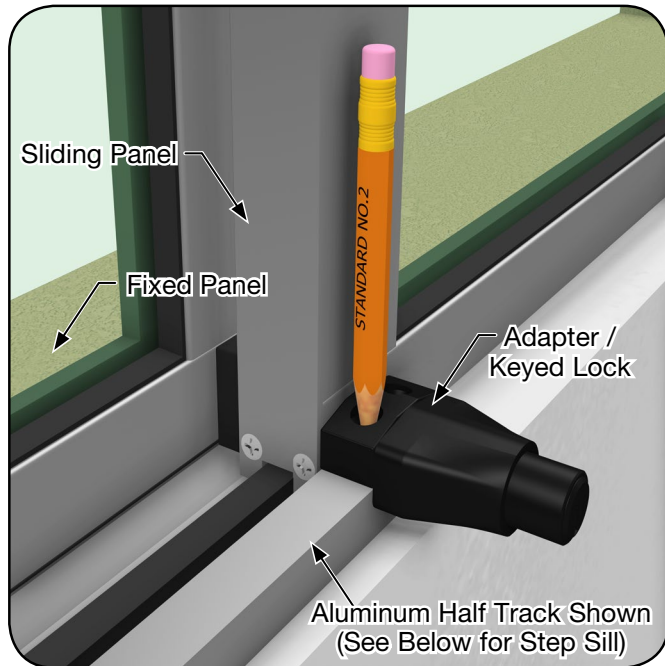
3. Drill a strike hole 3/4" deep with 3/8" Diameter drill bit.



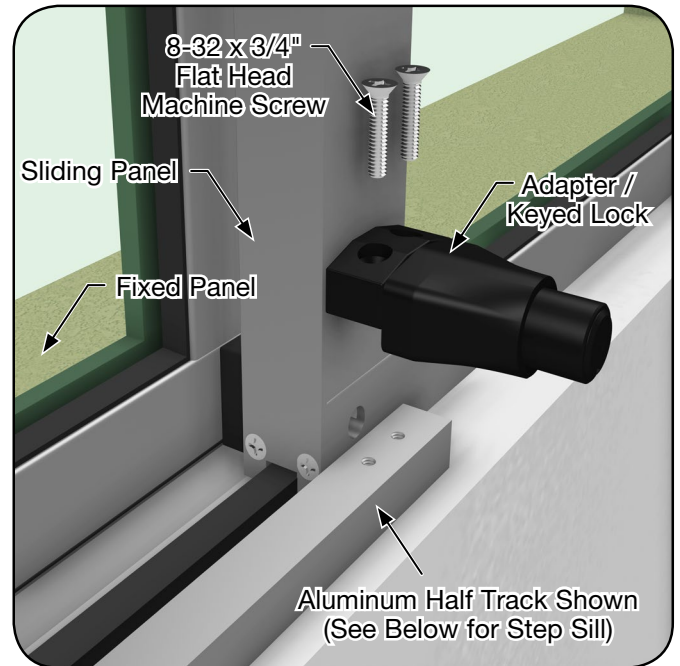
4. Attach Adapter to Keyed Lock using two 4-40 x 3/4" Flat Head Machine Screws (Included).

OPTIONAL DWKEYLOCK INSTALLATION (CONTINUED)

Installation on DW4836 Standard Half Track (Continued)



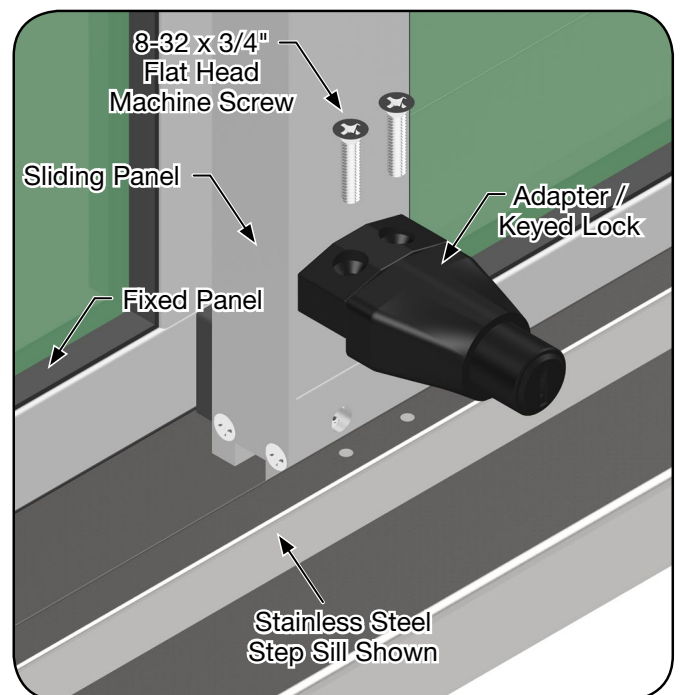
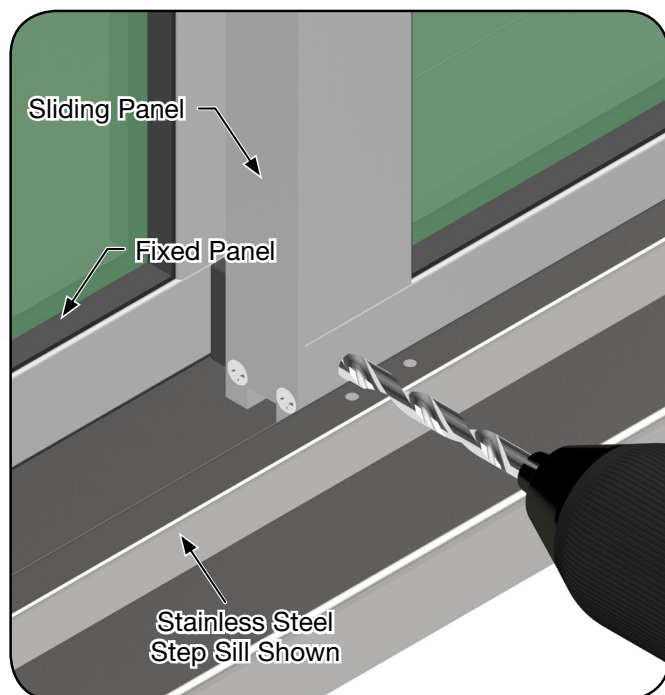
5. Position Adapter / Keyed Lock on the track. Ensure the plunger enters the strike hole cleanly, align with the end of the Sliding Panel. Transfer the Adapter attachment holes onto the sill. Drill and tap for an 8-32 screw.



6. Attach the Adapter / Keyed Lock to the track or sill using two 8-32 x 3/4" Flat Head Machine Screws. (Included)

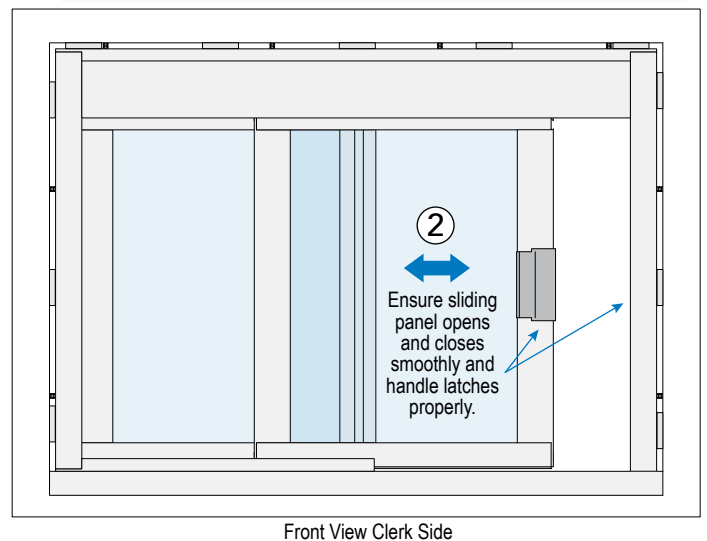
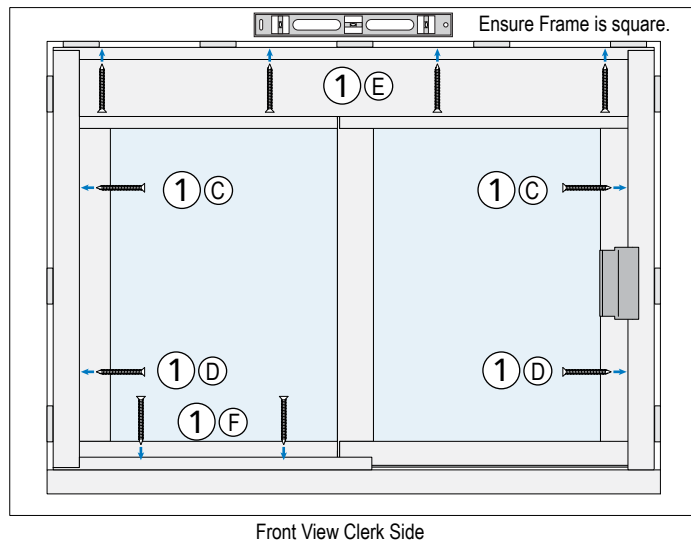
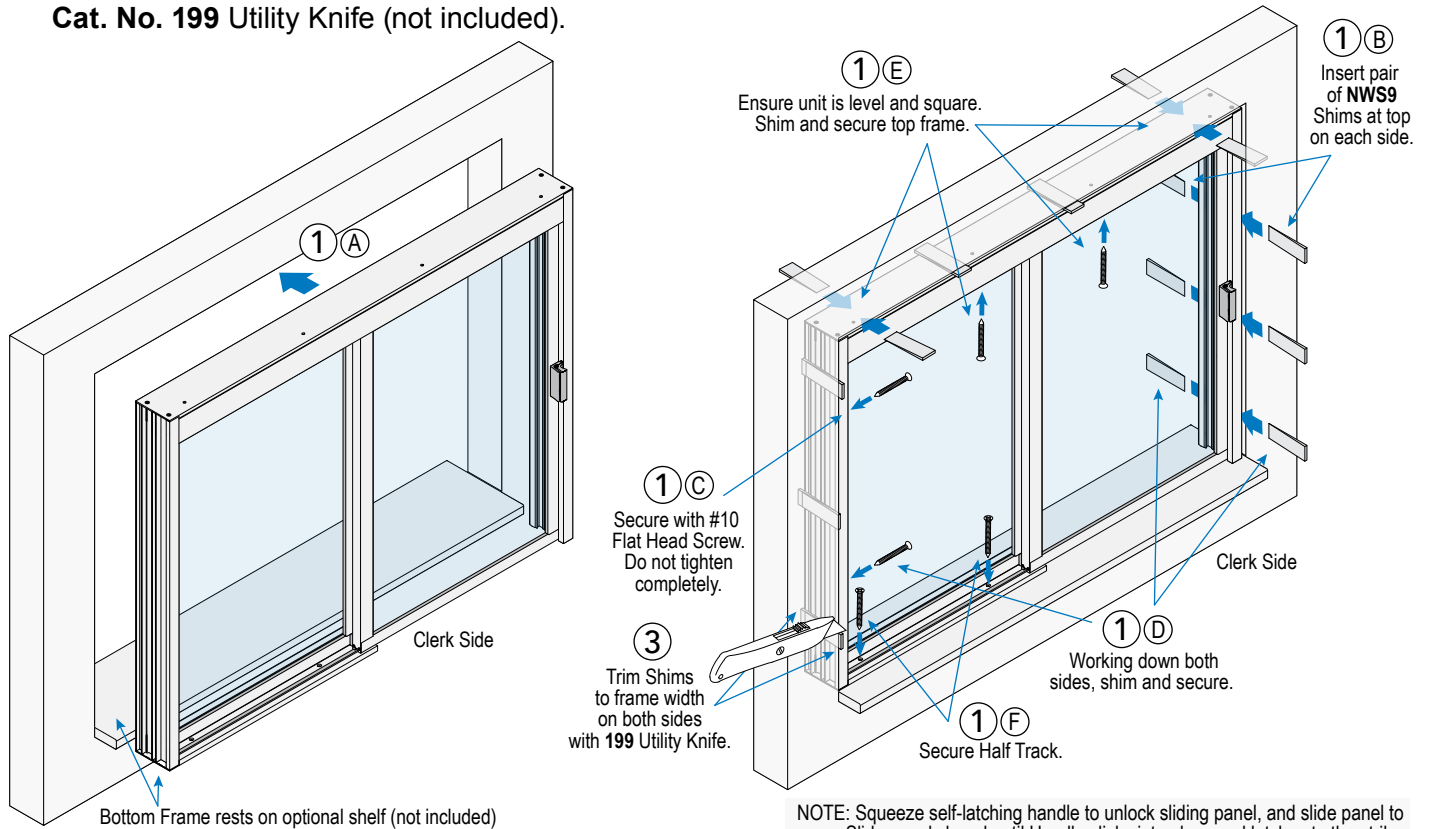
Installation on DW4836S Standard Step Sill

Follow Steps 1-6 for installation. NOTE: The Step Sill shown below is higher than the Half Track.



DW4836 HALF TRACK INSTALLATION

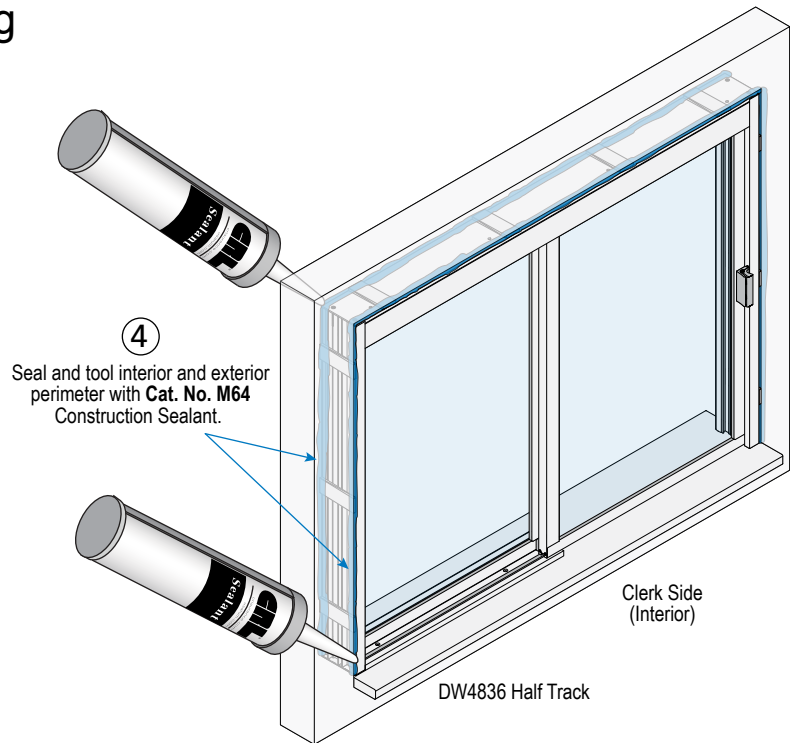
- Center window in opening, with the bottom frame sitting on the base. Starting at top, shim down both sides with CRL **Cat. No. NWS9** Tapered Wood Shims (not included) at equal intervals paired on inside and outside. Insert #10 Flat Head Screws at top hole on each side, do not completely tighten. Continue shimming and inserting screws in holes in sides. Check for squareness and a tight fit, and tap shims deeper if necessary. Shim and secure across top of the frame using the same procedures, and then secure Half Track to the base.
- Ensure sliding panel slides freely and the latch engages securely. If the window is NOT operating correctly, review the installation procedure. If the window appears to be installed properly but does not operate correctly, call CRL for assistance.
- When everything is operating smoothly, trim shims so they don't protrude beyond the frame with CRL **Cat. No. 199** Utility Knife (not included).



DW4836 HALF TRACK INSTALLATION (CONTINUED)

Perimeter Sealing and Finishing

4. Seal and tool interior and exterior perimeter with CRL **Cat. No. M64** construction sealant (not included). For exterior applications using the Step Sill be sure all edges of the sill, inside and outside are thoroughly sealed.
5. Clean the window with CRL **Cat. No. 1973** Glass Cleaner (not included) and CRL **Cat. No. 1550** Lint Free Shop Towels (not included).



DW4836S STEP SILL INSTALLATION

Follow Steps 1 - 5 for DW4836 Half Track Installation.

NOTE: For exterior applications, thoroughly seal all inside and outside edges of the Step Sill.

