

Revisions By:



2503 E. Vernon Avenue, Los Angeles, CA 90058-1897  
 PH (800)-421-6144 FX: 800-357-7501 www.crouse.com

Description:  
 CRL P4 SERIES  
 POST RAILING SYSTEMS  
 SYS0071D

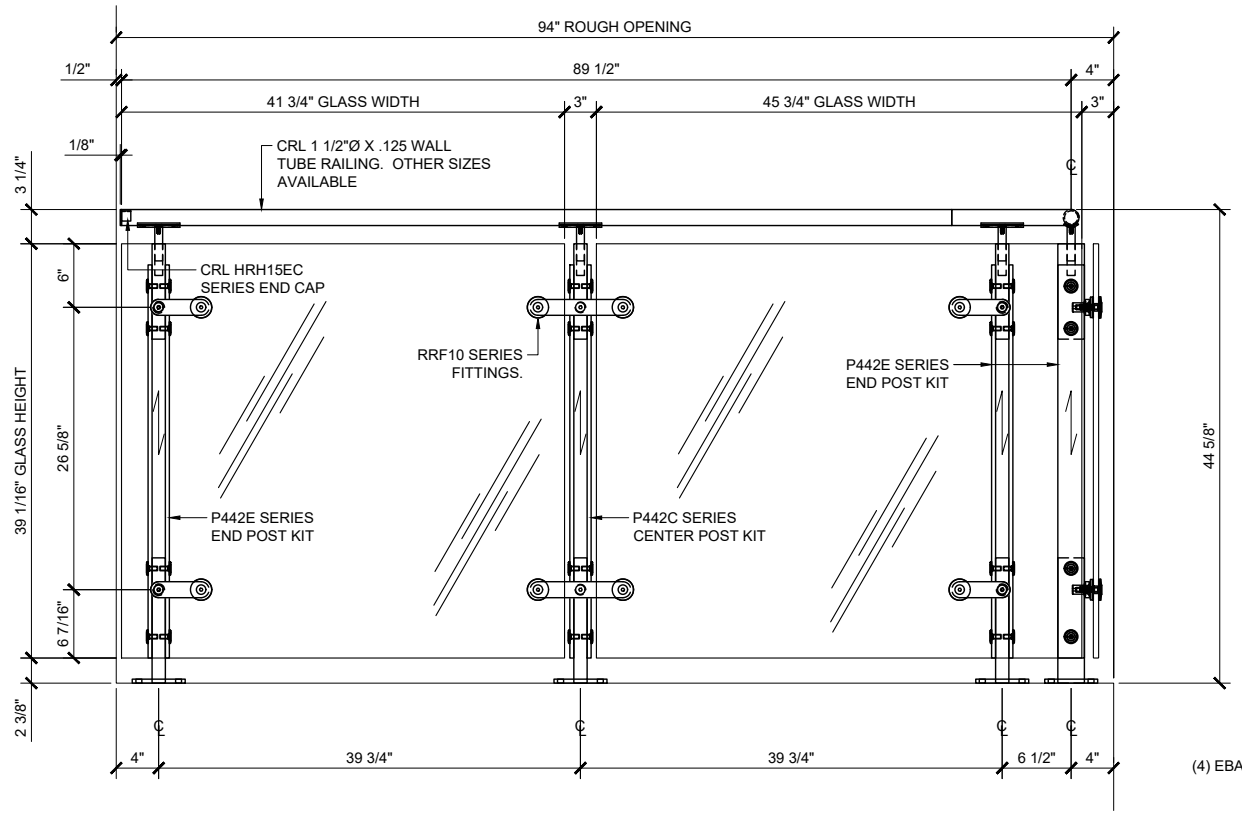
Drawn By: SDH  
 Date: 03/08/2017  
 Scale: AS NOTED  
 File Name:  
 SYS071D P4 Series Stainless Steel Post Railing Systems

Sheet

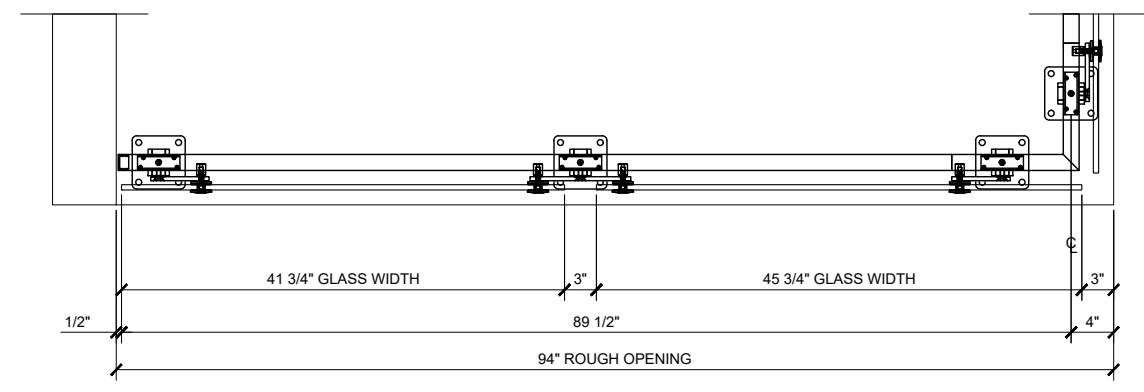
1.01

# CRL P4 SERIES POST RAILING SYSTEM

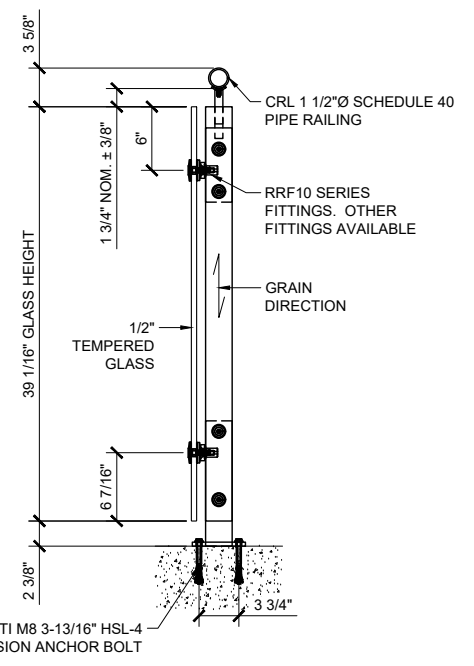
- \* DESIGNED TO ACCEPT 1/2" TO 27/32" TEMPERED GLASS
- \* TOP SADDLE SUPPORTS 1 1/4"Ø (1.66" O.D.) & 1 1/2"Ø (1.90" O.D.) SCHEDULE 40 PIPE RAILING AND 1 1/2"Ø O.D. TUBE RAILING
- \* 36" AND 42" STANDARD POST HEIGHTS WITH CUSTOM HEIGHTS AVAILABLE
- \* TWO STANDARD STAINLESS STEEL FINISHES BRUSHED OR POLISHED WITH CUSTOM POWDER PAINT FINISHES ALSO AVAILABLE
- \*VERTICALLY ADJUSTABLE TOP SADDLE



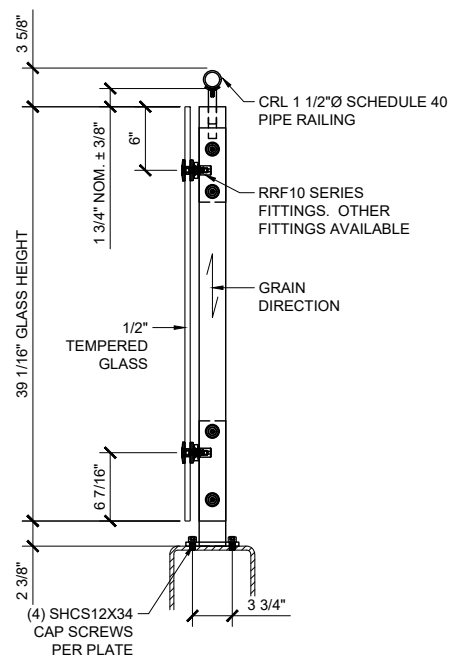
**TYPICAL ELEVATION**  
 SCALE: 1 1/2"=1'-0"



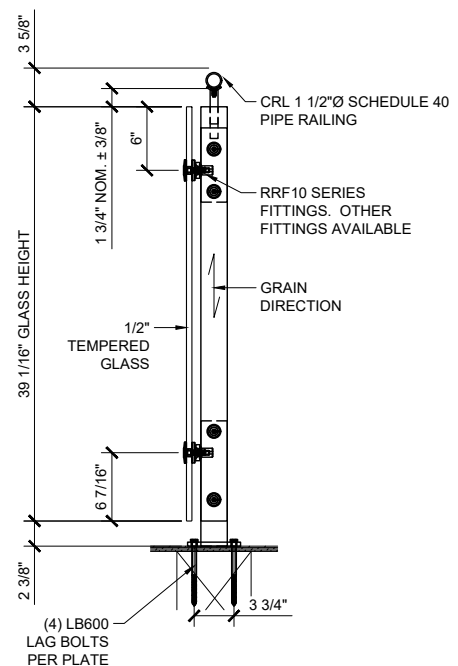
**TYPICAL PLAN VIEW**  
 SCALE: 1 1/2"=1'-0"



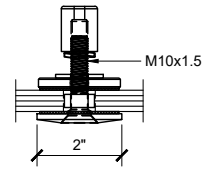
**CONCRETE MOUNT**  
 SCALE: 1 1/2"=1'-0"



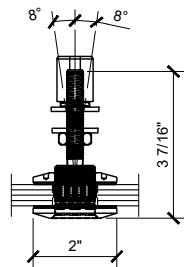
**STEEL MOUNT**  
 SCALE: 1 1/2"=1'-0"



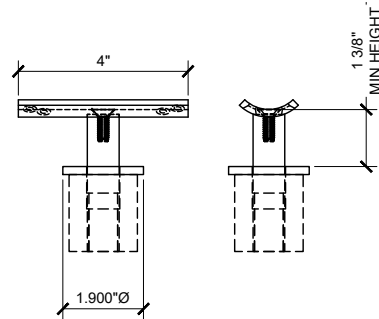
**WOOD MOUNT**  
 SCALE: 1 1/2"=1'-0"



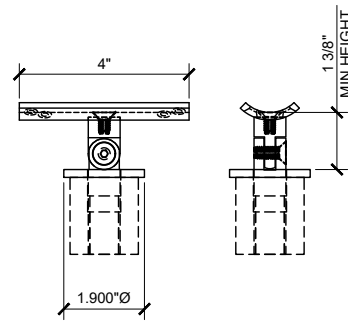
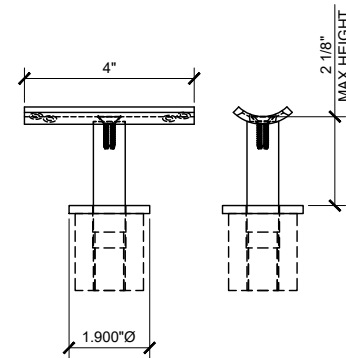
**RRF10 CAP MOUNT FITTING**  
TOP VIEW 6"=1'-0"



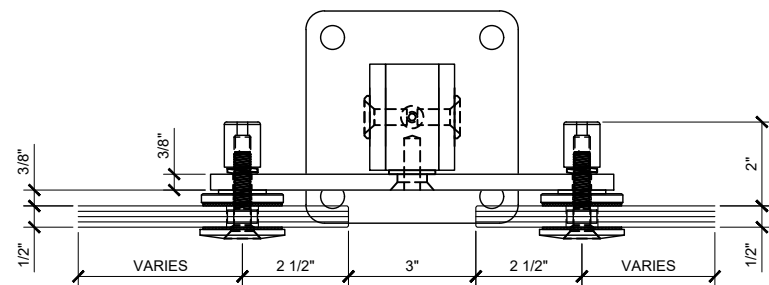
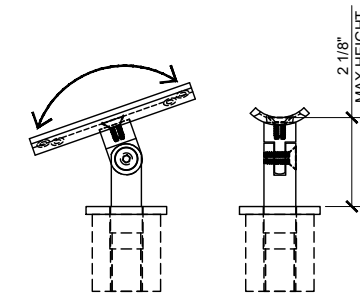
**RSF10 CAP MOUNT FITTING**  
TOP VIEW 6"=1'-0"



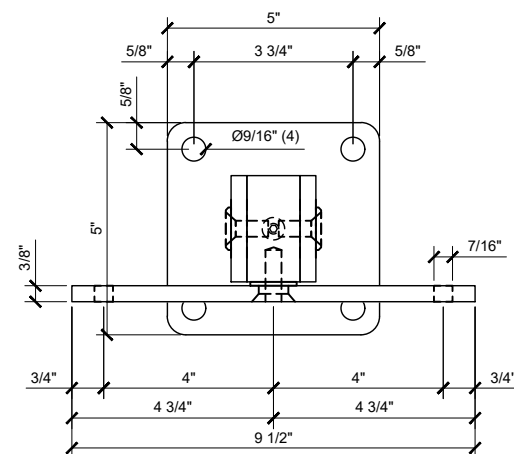
**P7VF W/PRS1**  
STANDARD VERTICAL ADJ  
STANDOFF SADDLE 6"=1'-0"



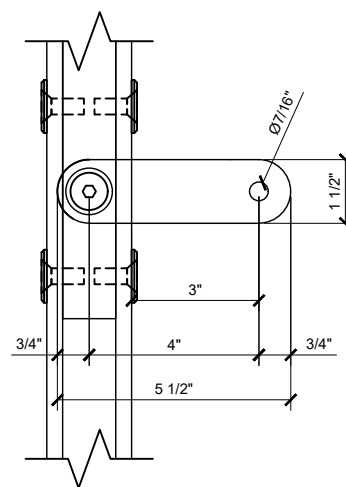
**P7VF W/PRS1**  
OPTIONAL VERTICAL / SWIVEL  
STANDOFF SADDLE 6"=1'-0"



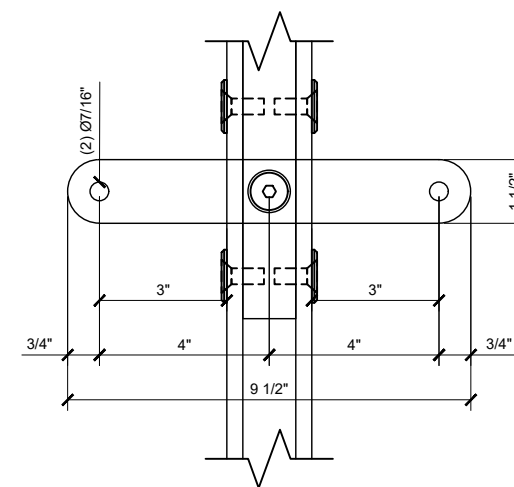
**RRF10 MOUNT FITTING W/ FLANGE DETAIL**  
TOP VIEW 6"=1'-0"



**FLANGE DETAIL**  
TOP VIEW 6"=1'-0"



**END MOUNT POST DETAIL**  
TOP VIEW 6"=1'-0"



**MIDDLE MOUNT POST DETAIL**  
TOP VIEW 6"=1'-0"

Revisions By:

**CRL.**

2503 E. Vernon Avenue, Los Angeles, CA 90058-1897  
PH (800)-421-6144 FX: 800-537-7501 www.crlaurence.com

Description:  
CRL P4 SERIES  
POST RAILING SYSTEMS  
SYS0071D

Drawn By: SDH  
Date: 03/08/2017  
Scale: AS NOTED  
File Name:  
SYS071D P4 Series Stainless Steel Post Railing Systems

Sheet

2.01