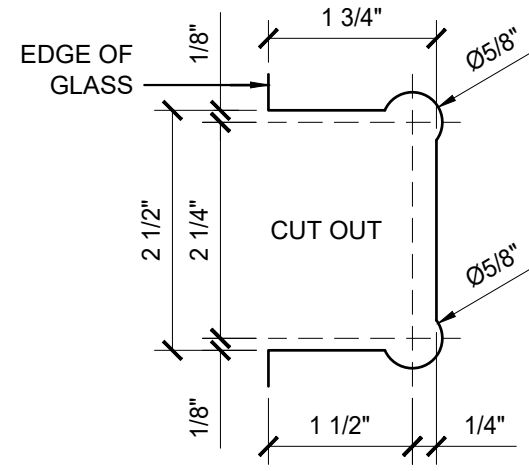
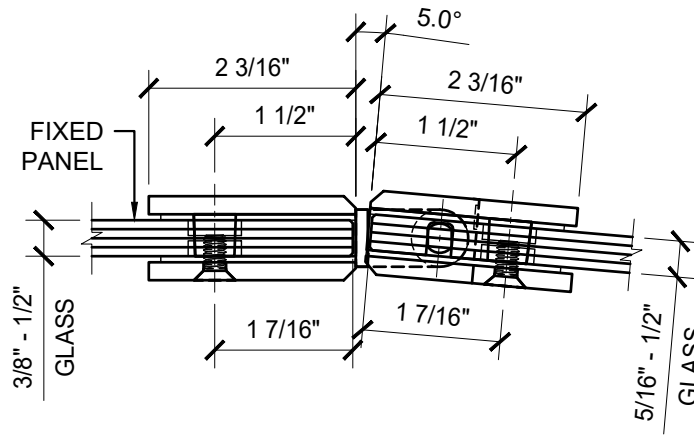


USE OF GASKETS

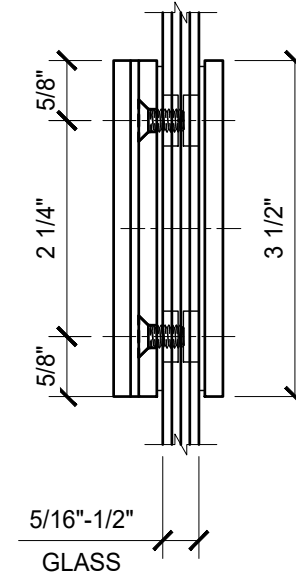
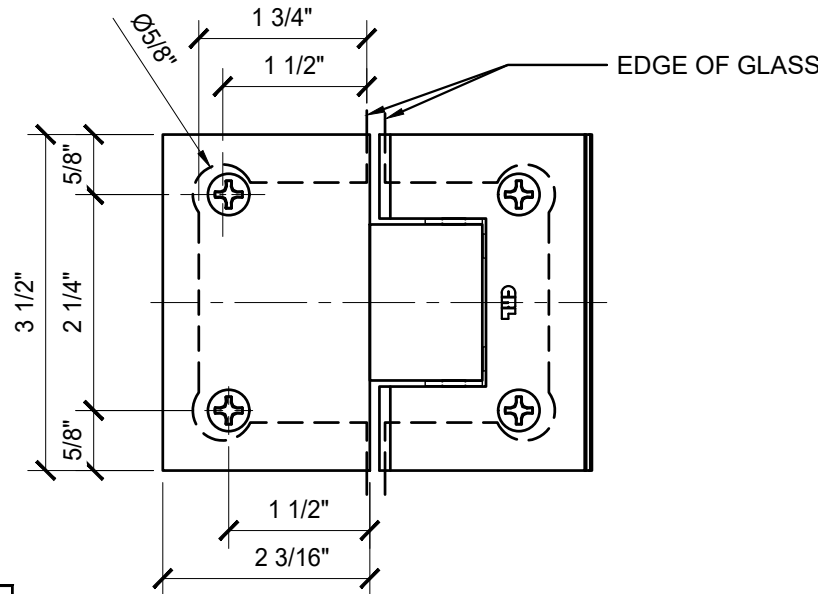
FOR 5/16" (8mm) GLASS: USE ONE THICK GASKET ON EACH SIDE

FOR 3/8" (10mm) GLASS: USE ONE THICK GASKET ON EACH SIDE

FOR 1/2" (12mm) GLASS: USE ONE THIN GASKET ON EACH SIDE



GLASS FABRICATION TEMPLATE



CATALOG NUMBER	FINISH
GEN580CH	CHROME
GEN580BR	BRASS
GEN580ORB	OIL RUBBED BRONZE
GEN580ABR	ANTIQUÉ BRASS
GEN580BN	BRUSHED NICKEL
GEN580BSC	BRUSHED SATIN CHROME
GEN580PN	POLISHED NICKEL
GEN580SB	SATIN BRASS
GEN580SC	SATIN CHROME

GEN580XX - CRL GENEVA SERIES 180 DEGREE GLASS TO GLASS HINGE

5 DEGREE OFFSET

DATE: 6/28/17  
SCALE: 6"=1'-0"  
DRAWN BY: VM

DESCRIPTION: CRL GEN580  
GENEVA SERIES 180 DEGREE  
GLASS TO GLASS STANDARD HINGE

C.R.LAURENCE CO. ARCHITECTURAL PRODUCTS  
2503 E. Vernon Avenue, Los Angeles, C.A 90058-1897  
PH (800)-421-6144 FX: 800-587-7501 www.crlaurence.com

