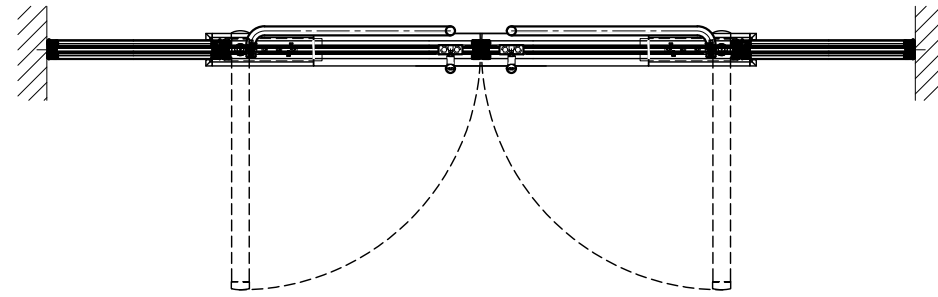
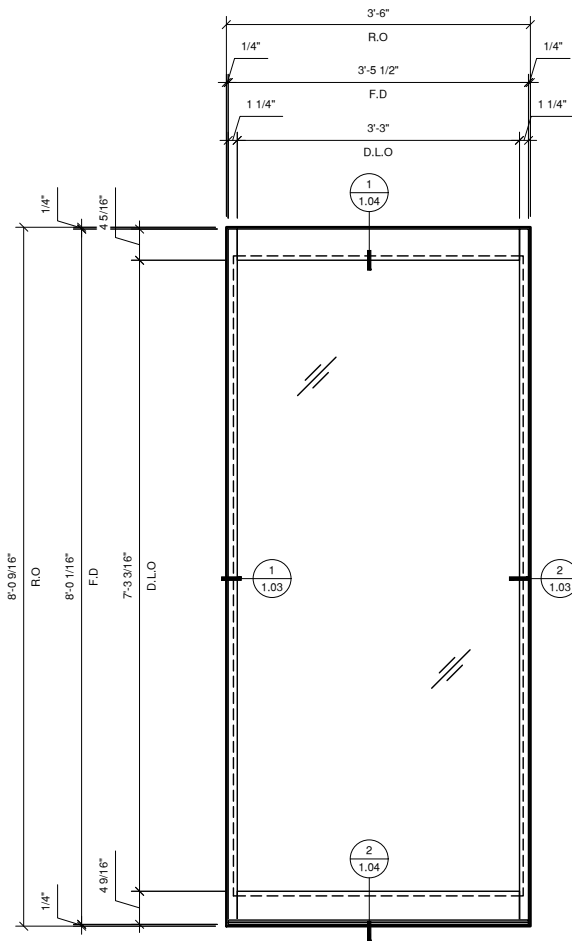


ENTICE SERIES ENTRANCE SYSTEM BS, PS, PB, & SB - CENTER HUNG DOUBLE DOOR WITH 4 INCH BOTTOM RAIL AND SIDELIGHTS

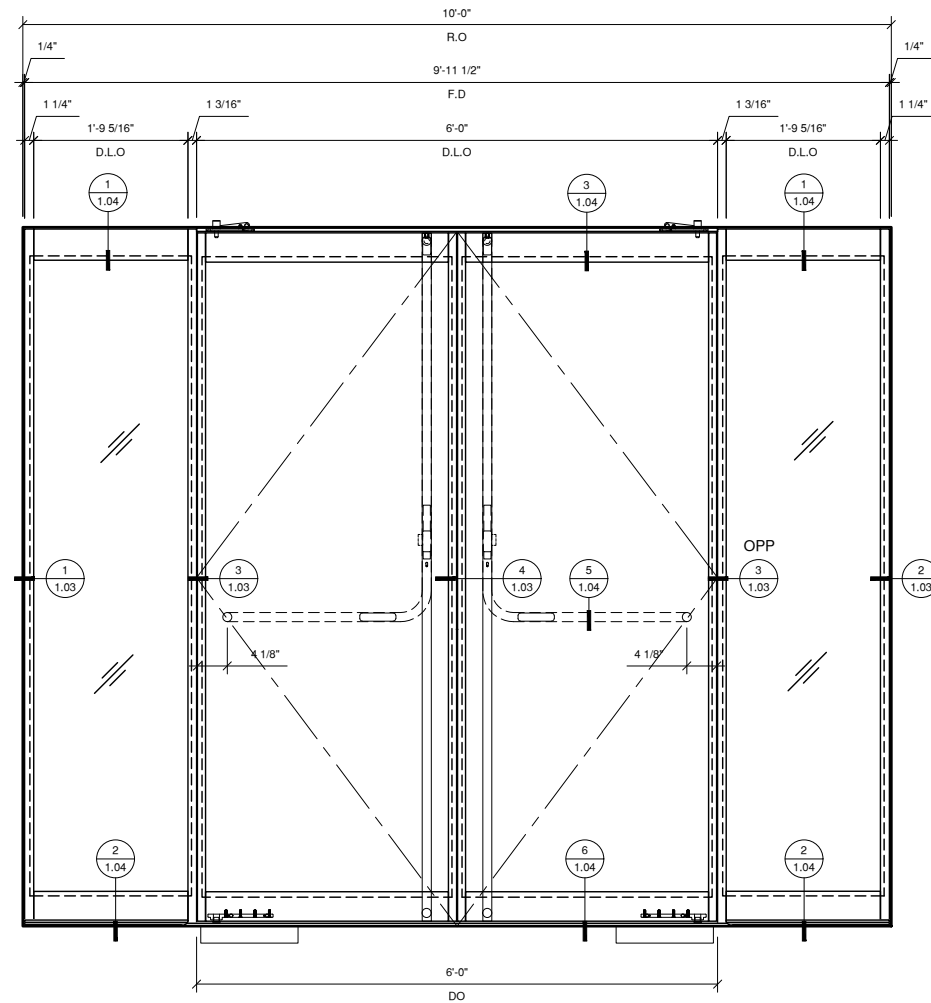


1 PLAN
1" = 1'-0" ARCH. REF.: N/A

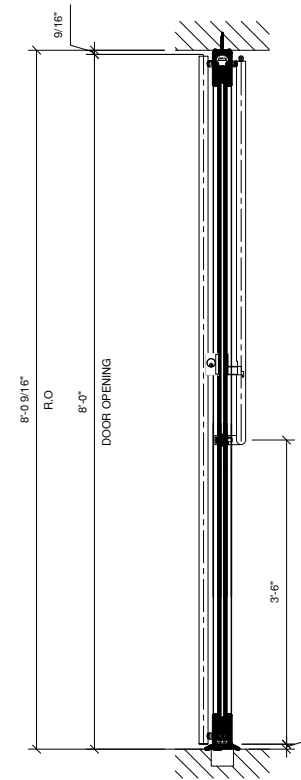
3 PLAN: CENTER HUNG
1" = 1'-0" ARCH. REF.: N/A



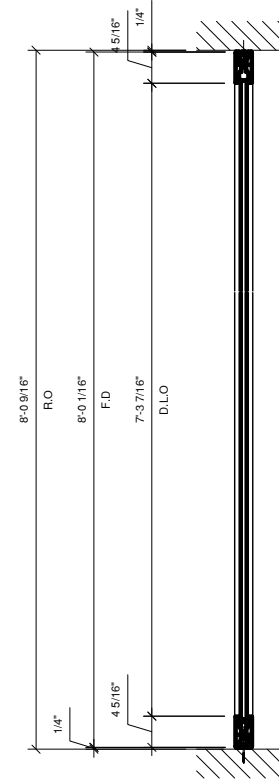
2 EXTERIOR ELEVATION
1" = 1'-0" ARCH. REF.: N/A



4 EXTERIOR ELEVATION
1" = 1'-0" ARCH. REF.: N/A



5 DOOR SECTION
1" = 1'-0" ARCH. REF.: N/A



6 SIDELIGHT SECTION
1" = 1'-0" ARCH. REF.: N/A

Revisions By:

CRL

2503 E. Vernon Avenue, Los Angeles, CA 90058-1897
PH (800)-421-6144 FX: 800-587-7501 www.crlaurence.com

Description:
ENTICE SERIES
ENTRANCE SYSTEM
CLAD IN STAINLESS
STEEL OR BRASS

Drawn By: RPD
Date: 01/28/20
Scale: AS NOTED
File Name:
Entice Entrance System BS, PS, PB, SB.dwg

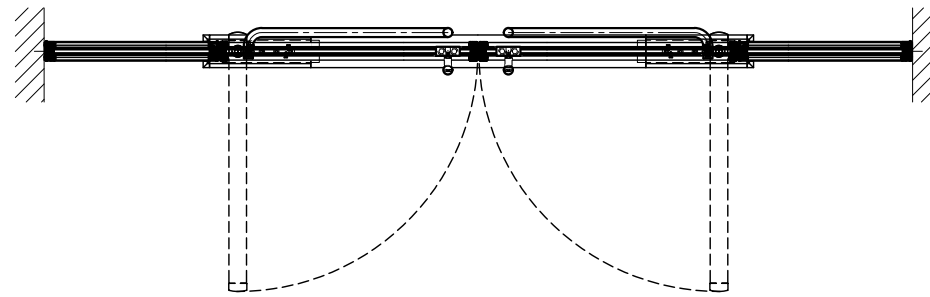
Sheet

1.01

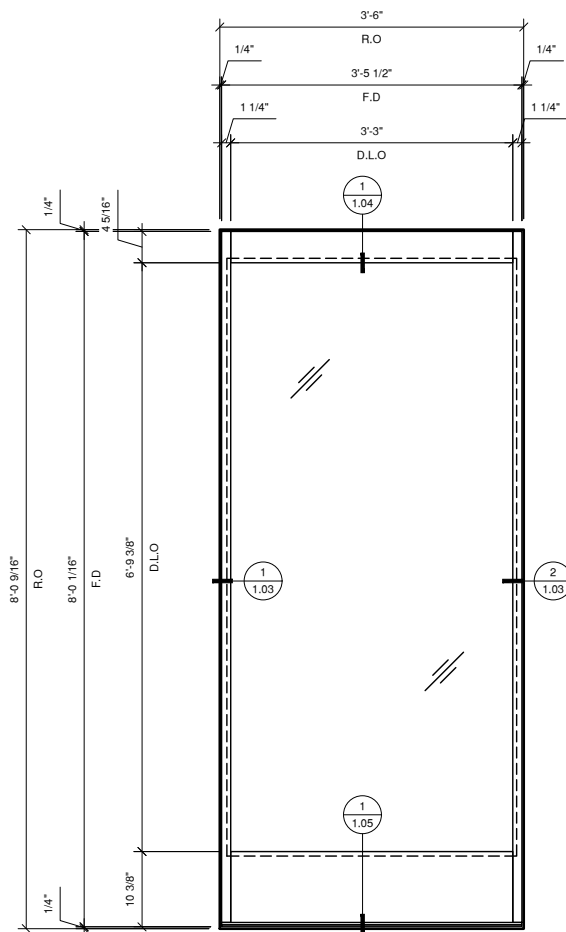
ENTICE SERIES ENTRANCE SYSTEM BS, PS, PB, & SB - CENTER HUNG DOUBLE DOOR WITH 10 INCH BOTTOM RAIL AND SIDELIGHTS



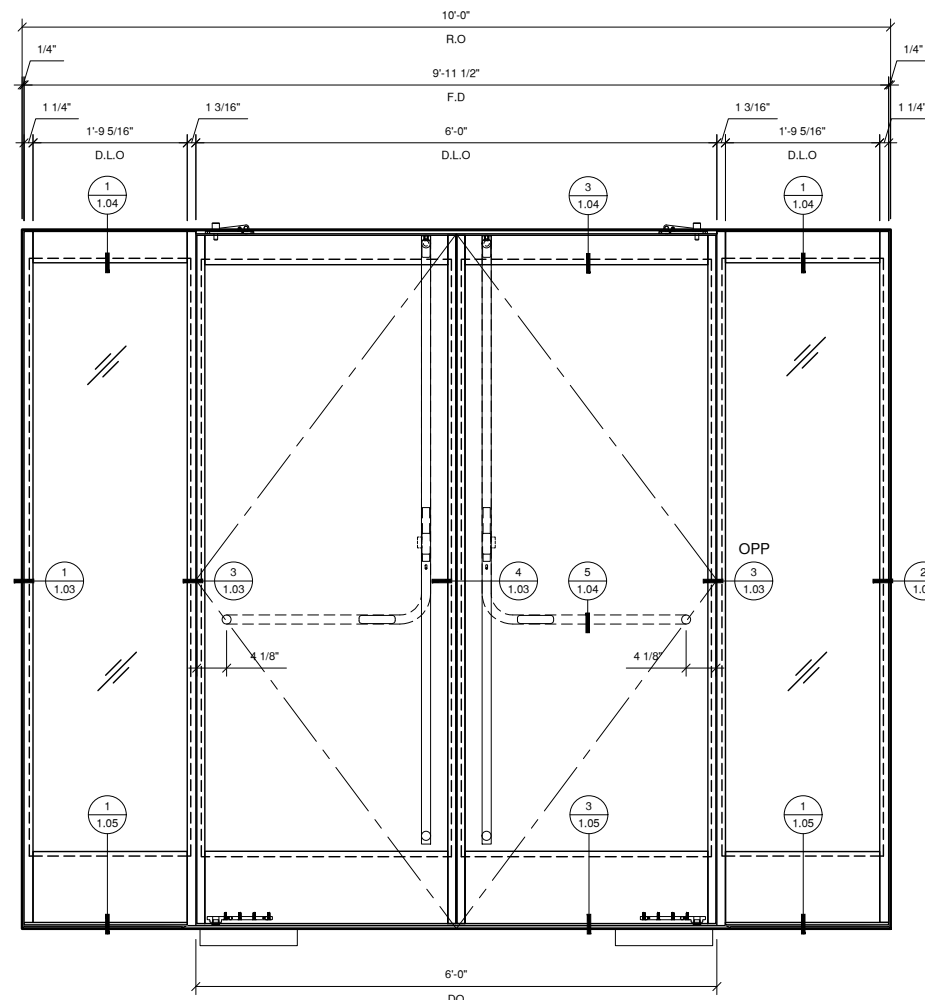
1 PLAN
1" = 1'-0" ARCH. REF.: N/A



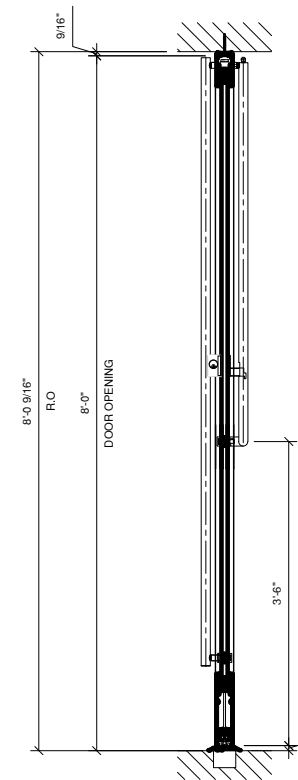
3 PLAN: CENTER HUNG
1" = 1'-0" ARCH. REF.: N/A



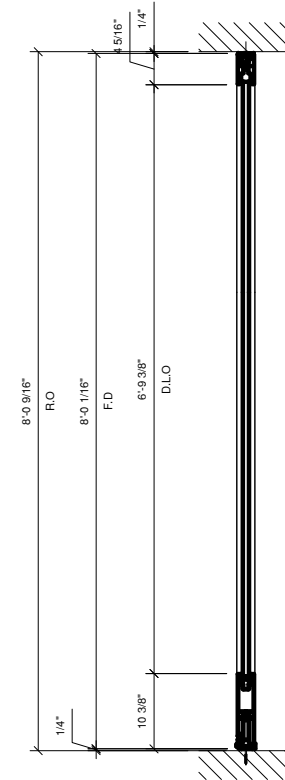
2 EXTERIOR ELEVATION
1" = 1'-0" ARCH. REF.: N/A



4 EXTERIOR ELEVATION
1" = 1'-0" ARCH. REF.: N/A



5 DOOR SECTION
1" = 1'-0" ARCH. REF.: N/A



6 SIDELIGHT SECTION
1" = 1'-0" ARCH. REF.: N/A

Revisions By:

CRL

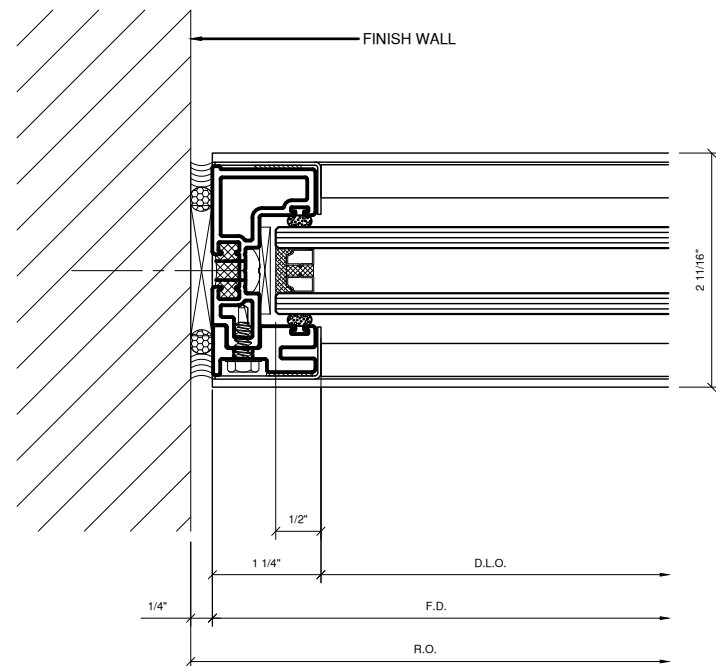
2503 E. Vernon Avenue, Los Angeles, CA 90058-1897
PH (800)-421-6144 FX: 800-587-7501 www.crlaurence.com

Description:
ENTICE SERIES
ENTRANCE SYSTEM
CLAD IN STAINLESS
STEEL OR BRASS

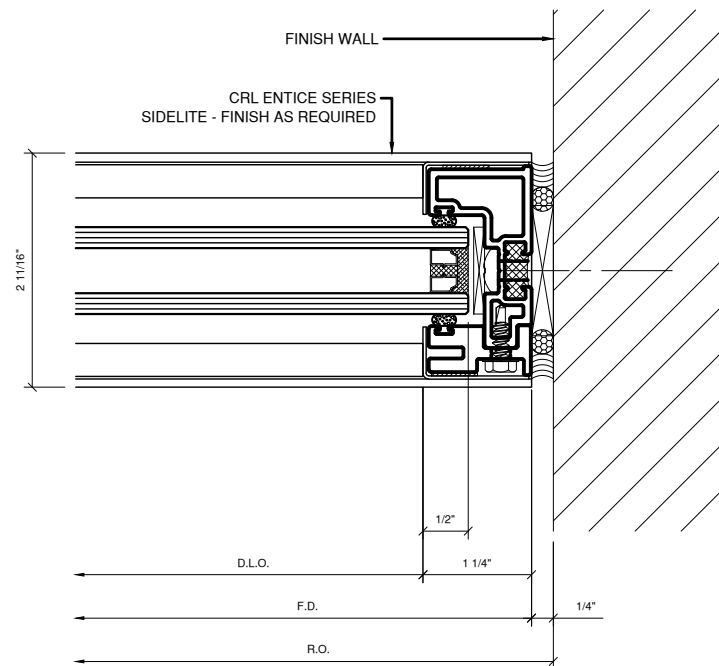
Drawn By: RPD
Date: 01/28/20
Scale: AS NOTED
File Name:
Entice Entrance System BS, PS, PB, SB.dwg

Sheet

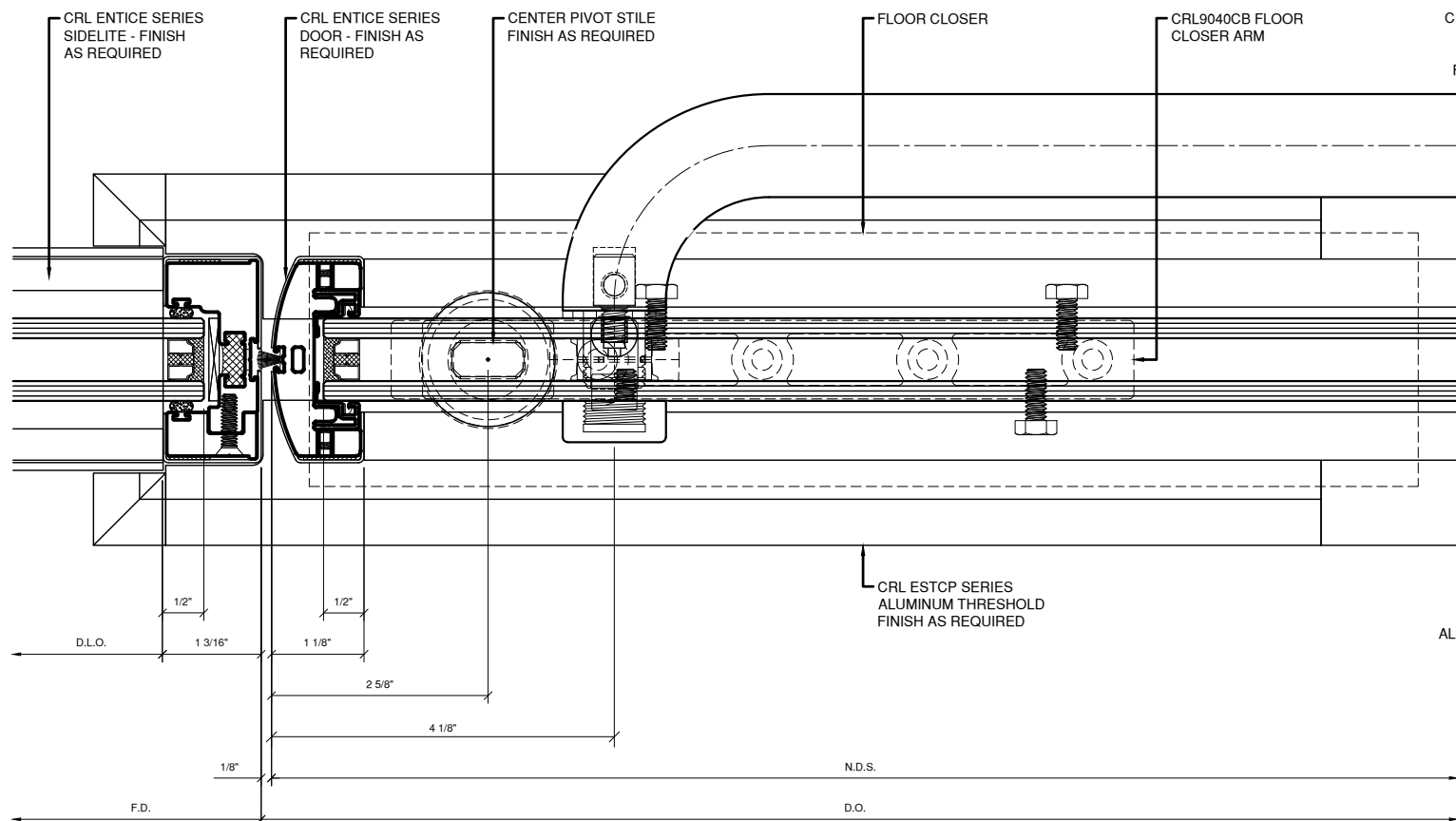
1.02



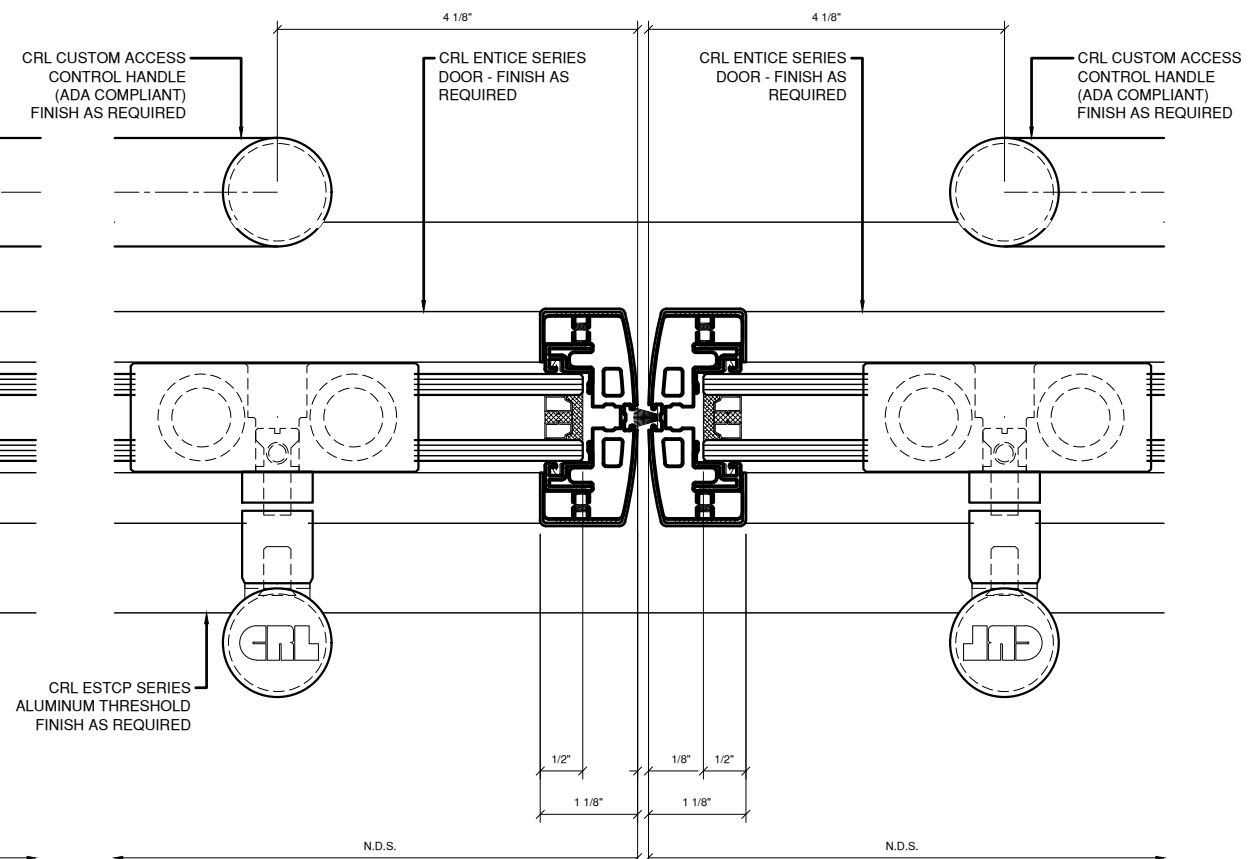
1 WALL JAMB
1'-0" = 1'-0" ARCH. REF.: N/A



2 WALL JAMB
1'-0" = 1'-0" ARCH. REF.: N/A



3 DOOR JAMB WITH SIDELITE
1'-0" = 1'-0" ARCH. REF.: N/A



4 DOOR MEETING STILE
1'-0" = 1'-0" ARCH. REF.: N/A

Revisions By:

CRL

2503 E. Vernon Avenue, Los Angeles, CA 90058-1897
PH (800)-421-6144 FX: 800-587-7501 www.crlaurence.com

Description:
ENTICE SERIES
ENTRANCE SYSTEM
CLAD IN STAINLESS
STEEL OR BRASS

Drawn By: RPD

Date: 01/28/20

Scale: AS NOTED

File Name:

Entice Entrance System BS, PS, PB, SB.dwg

Sheet

1.03

Revisions By:

2503 E. Vernon Avenue, Los Angeles, CA 90058-1897
PH (800)-421-6144 FX: 800-587-7501 www.crlaurence.com

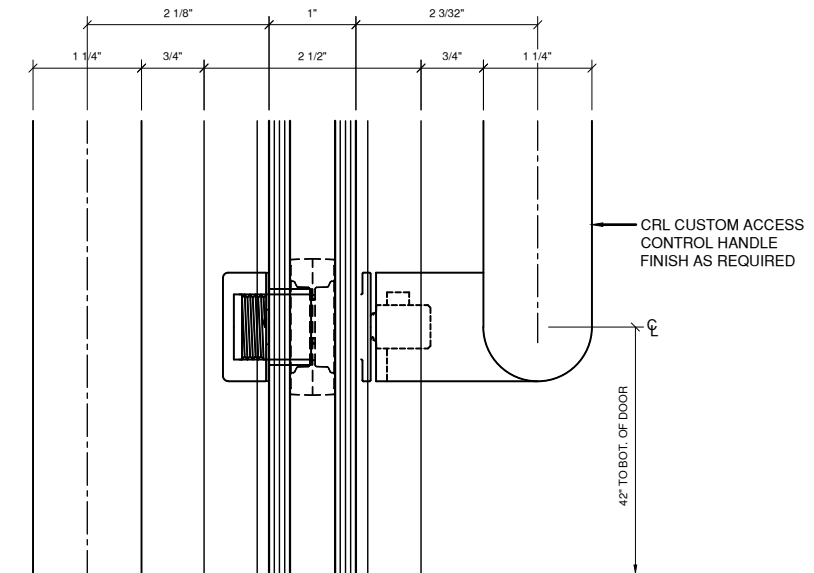
CRL

Description:
ENTICE SERIES
ENTRANCE SYSTEM
CLAD IN STAINLESS
STEEL OR BRASS

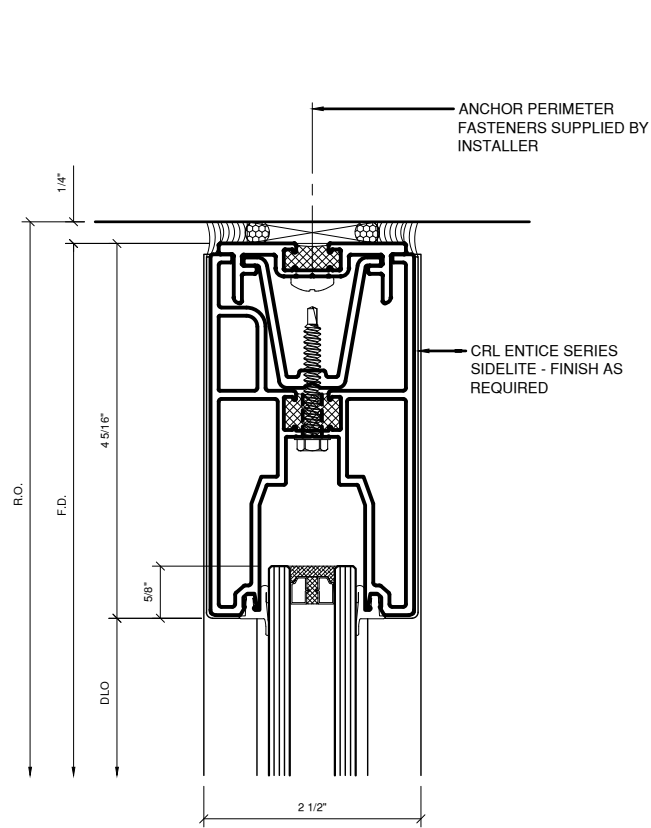
Drawn By: RPD
Date: 01/28/20
Scale: AS NOTED
File Name:
Entice Entrance System BS, PS, PB, SB.dwg

Sheet

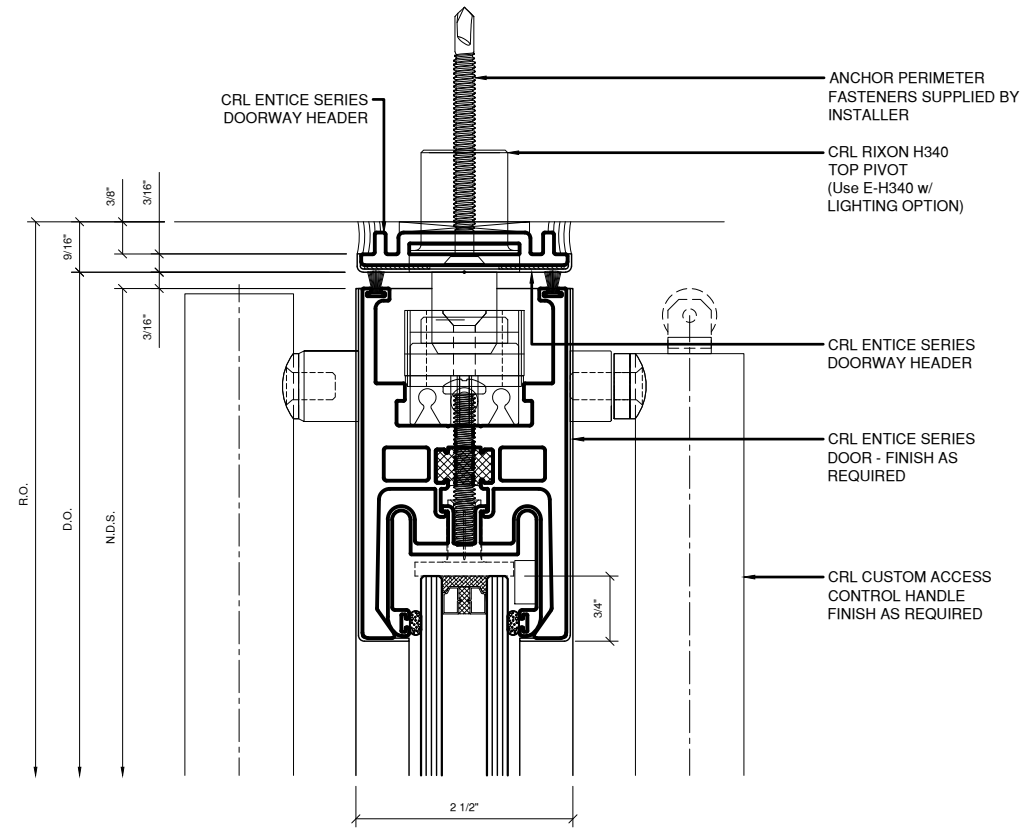
1.04



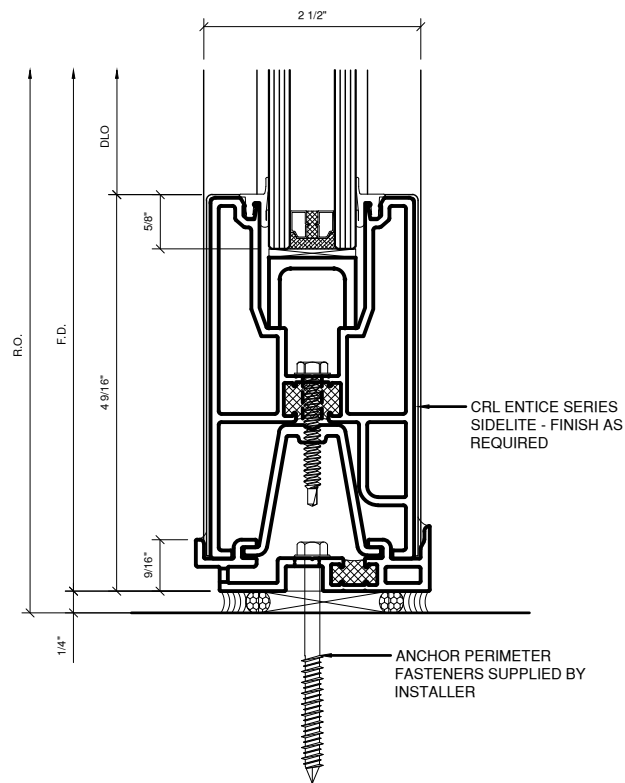
5 ACCESS CONTROL HANDLE CYLINDER
1'-0" = 1'-0" ARCH. REF.: N/A



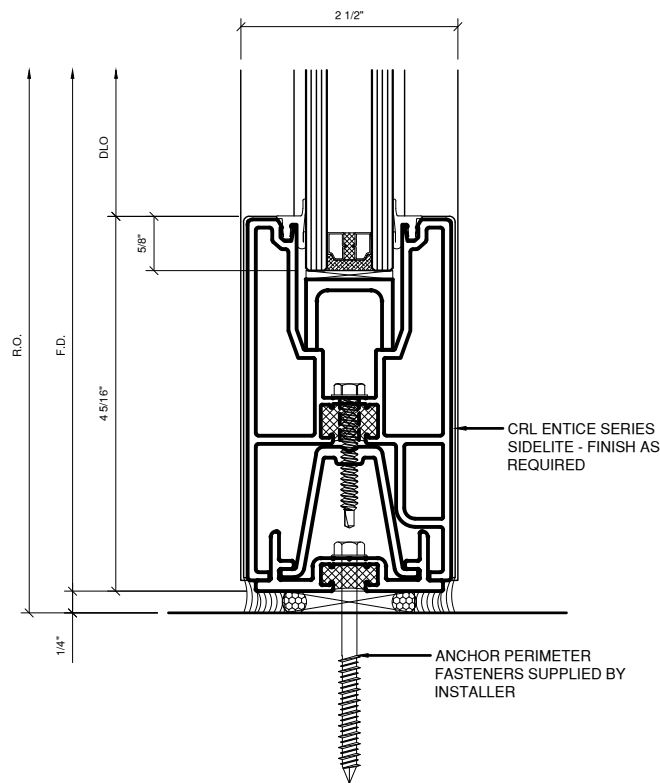
1 HEAD DETAIL
1'-0" = 1'-0" ARCH. REF.: N/A



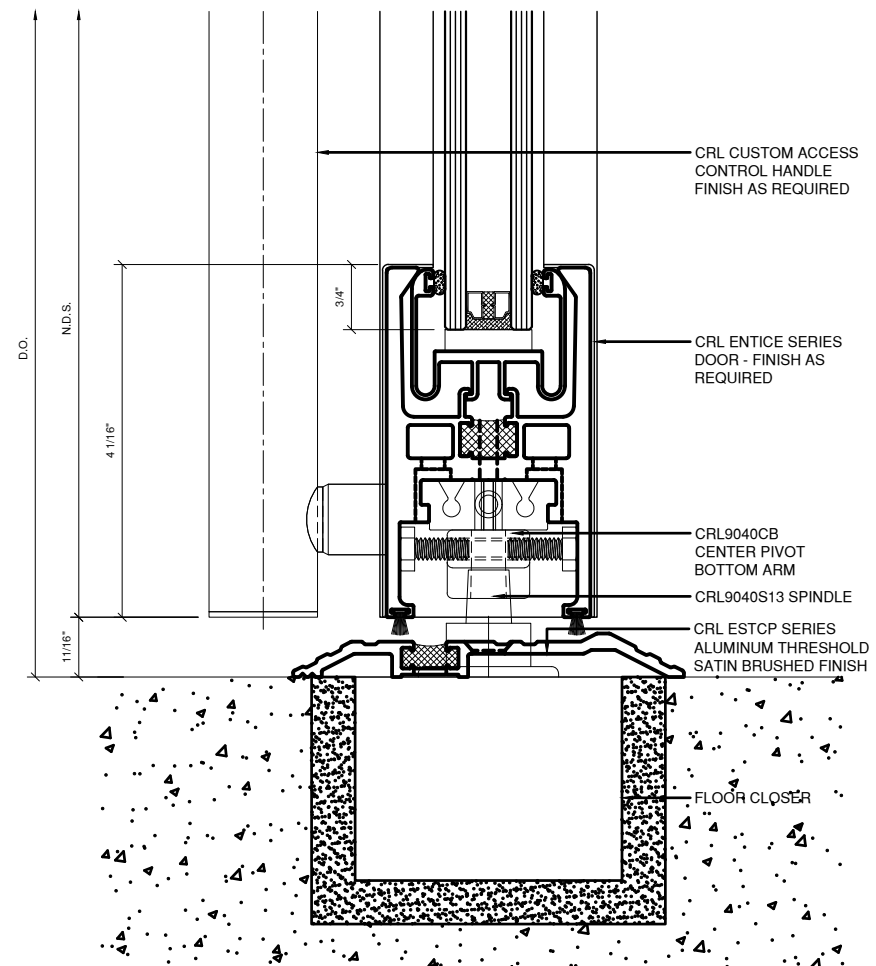
3 DOOR HEAD DETAIL
1'-0" = 1'-0" ARCH. REF.: N/A



2 EXTERIOR SILL DETAIL
1'-0" = 1'-0" ARCH. REF.: N/A



4 INTERIOR SILL DETAIL
1'-0" = 1'-0" ARCH. REF.: N/A



6 4" BOTTOM RAIL DOOR
1'-0" = 1'-0" ARCH. REF.: N/A

Revisions By:

CRL

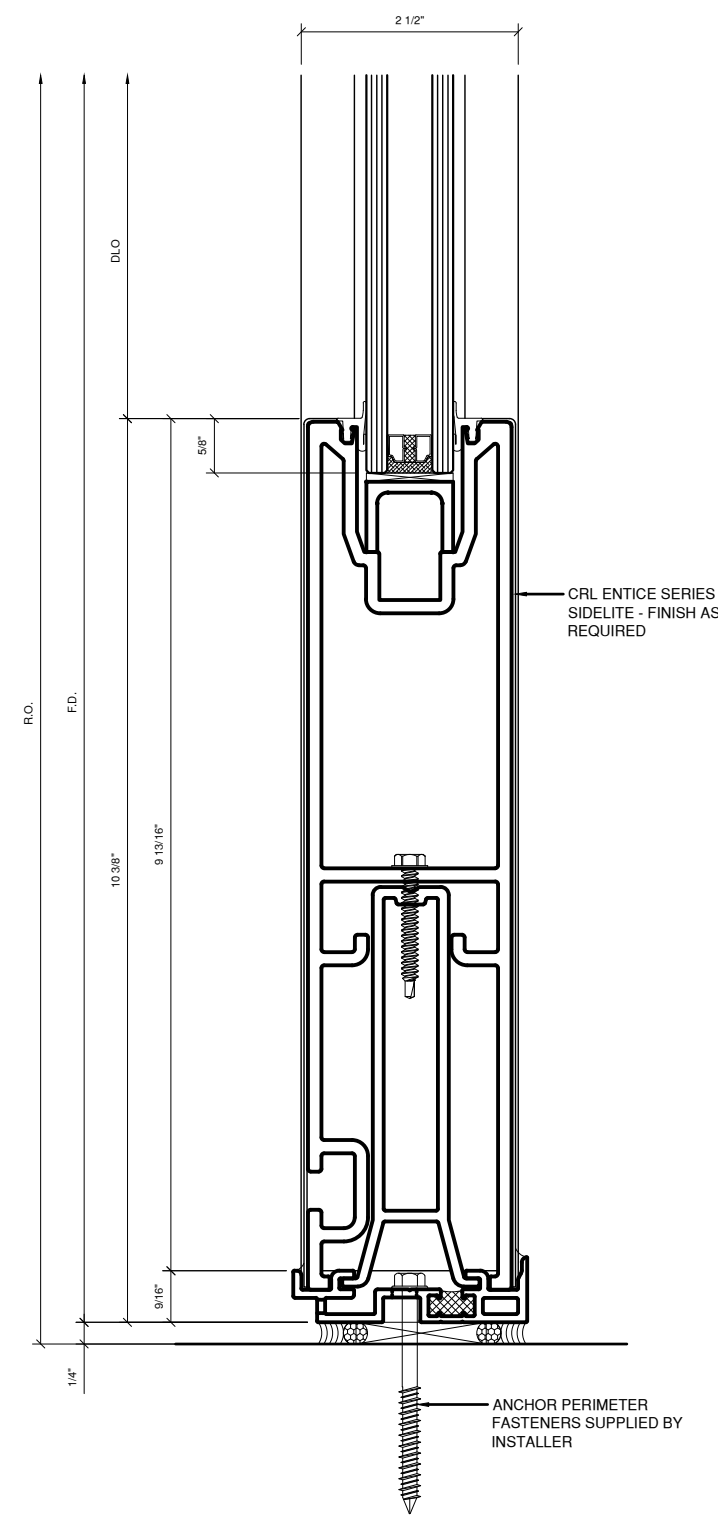
2503 E. Vernon Avenue, Los Angeles, CA 90058-1897
PH (800)-421-6144 FX: 800-587-7501 www.crlaurence.com

Description:
ENTICE SERIES
ENTRANCE SYSTEM
CLAD IN STAINLESS
STEEL OR BRASS

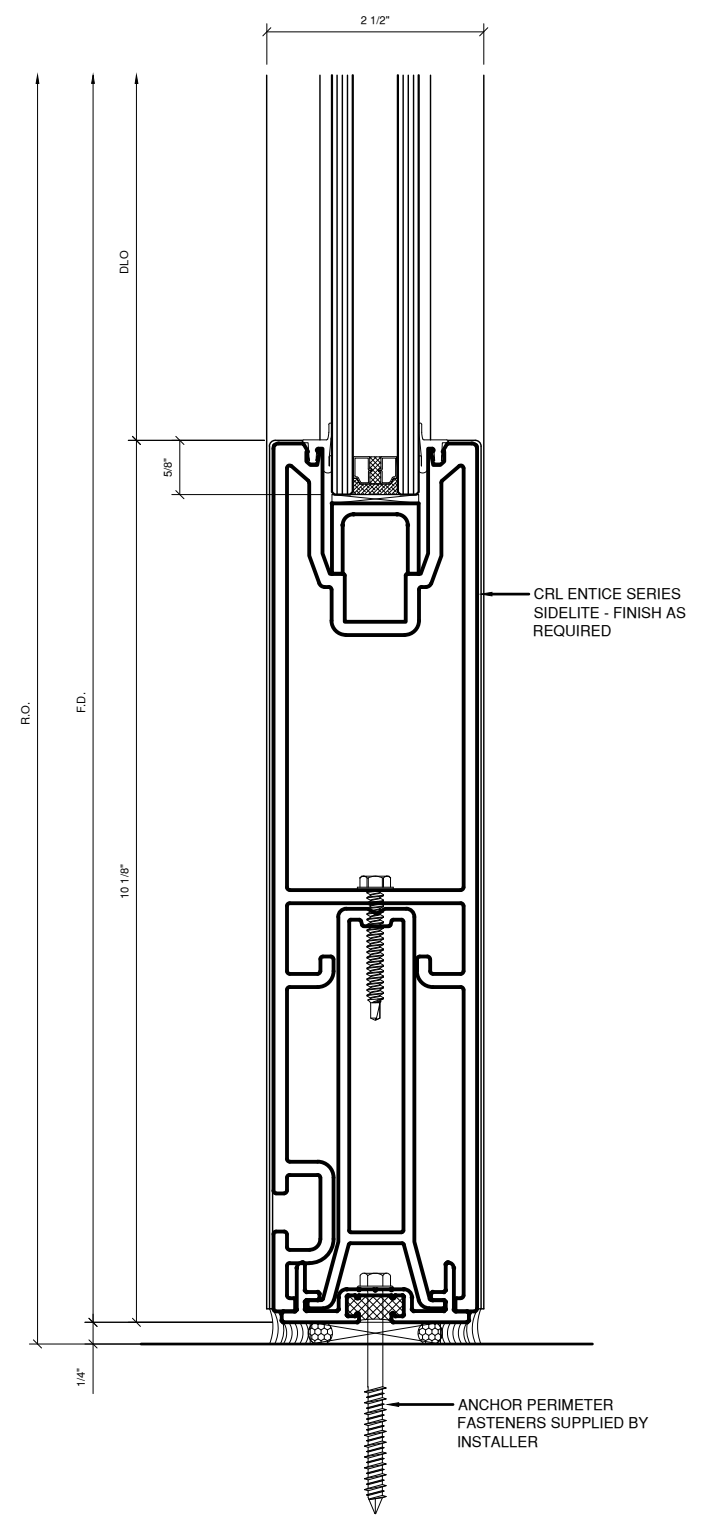
Drawn By: RPD
Date: 01/28/20
Scale: AS NOTED
File Name:
Entice Entrance System BS, PS, PB, SB.dwg

Sheet

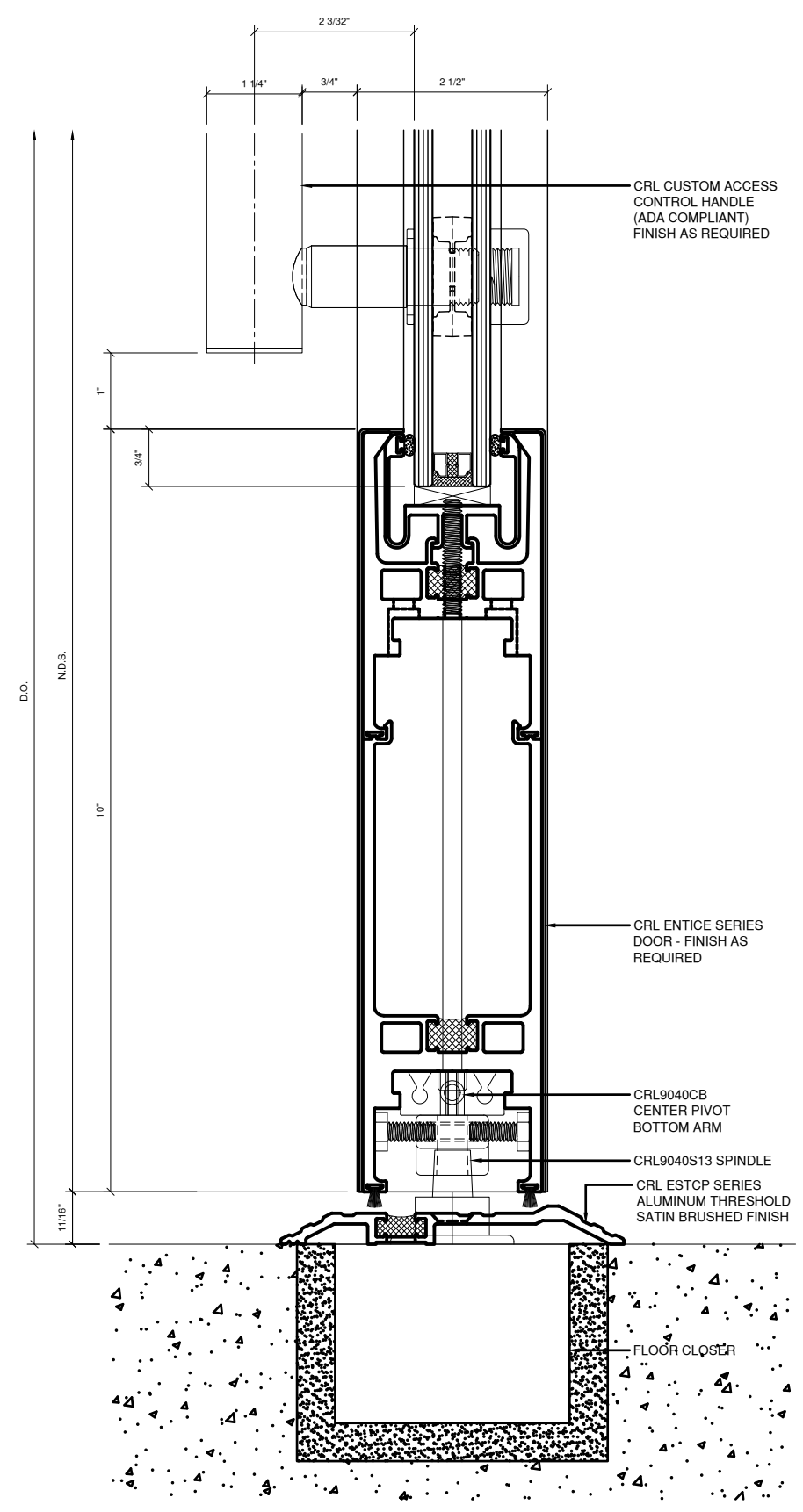
1.05



1 EXTERIOR SILL DETAIL
1'-0" = 1'-0" ARCH. REF.: N/A

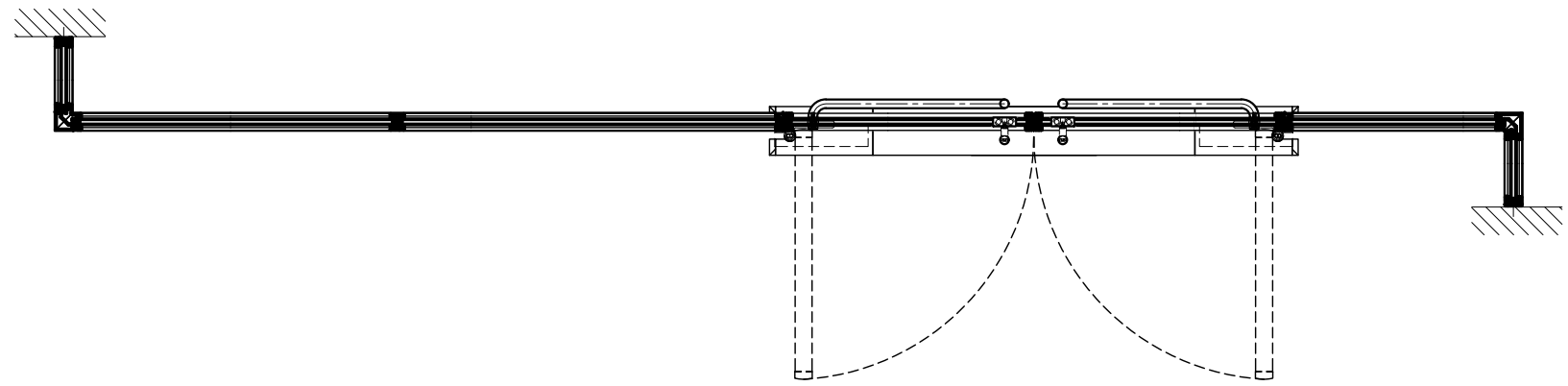


2 INTERIOR SILL DETAIL
1'-0" = 1'-0" ARCH. REF.: N/A

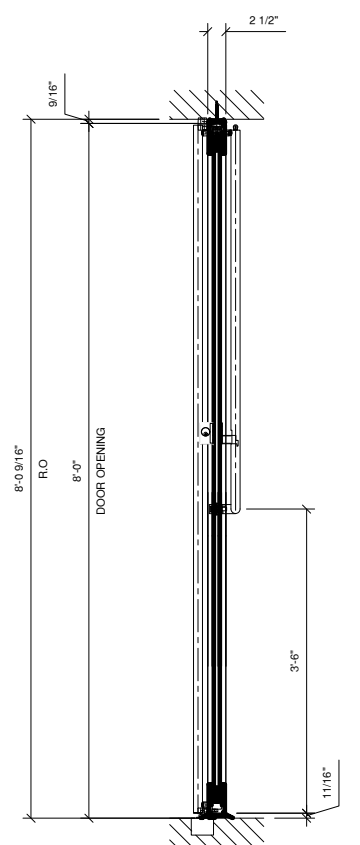
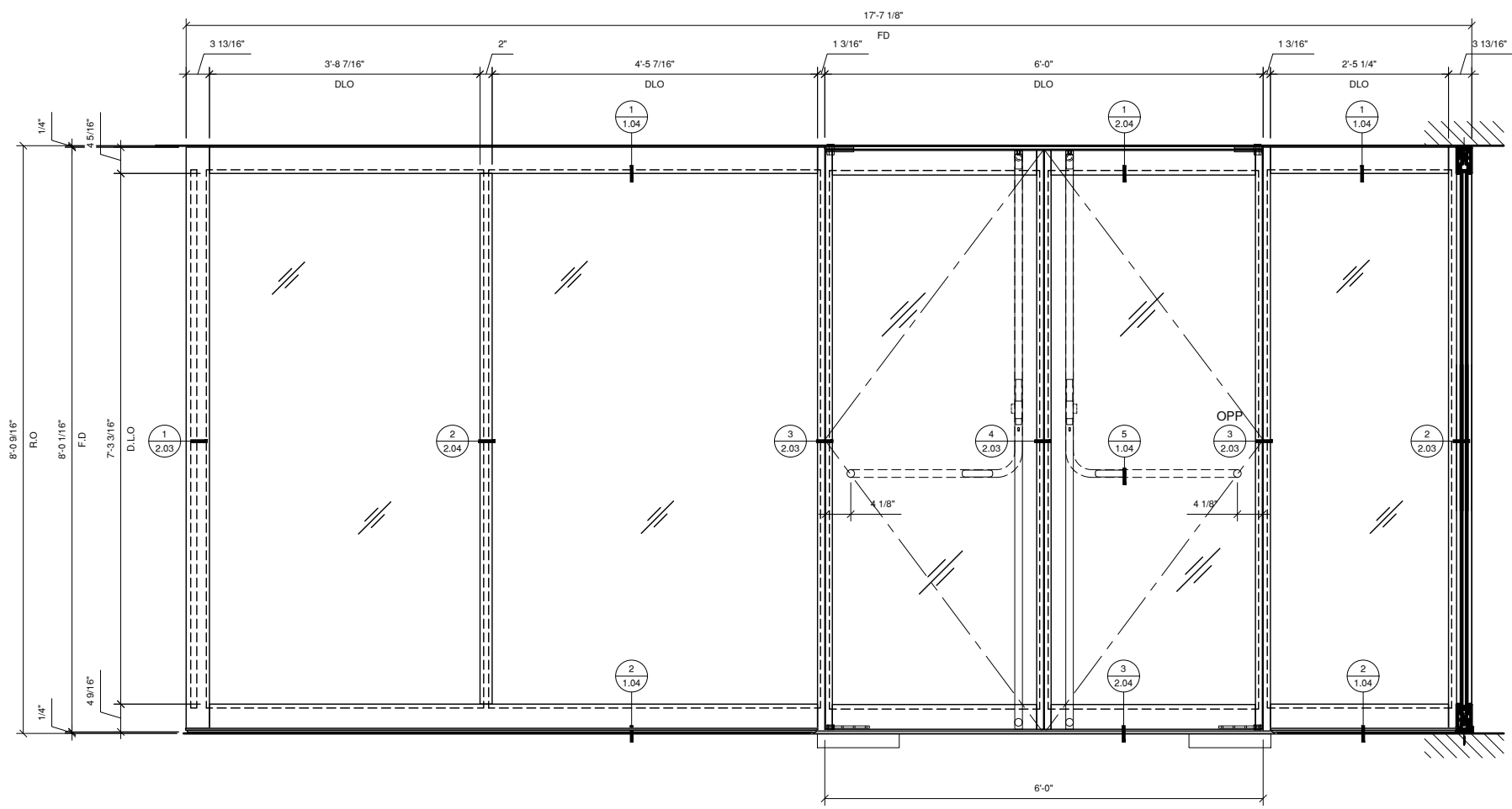
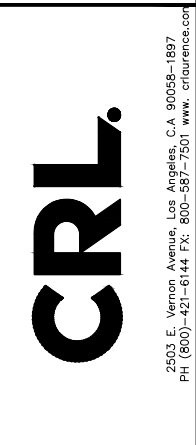


3 10" BOTTOM RAIL DETAIL
1'-0" = 1'-0" ARCH. REF.: N/A

ENTICE SERIES ENTRANCE SYSTEM BS, PS, PB, & SB - OFFSET HUNG DOUBLE DOOR WITH 4 INCH BOTTOM RAIL, SIDELIGHTS AND CORNERS (w/ INTERM. MULLION)



Revisions By:



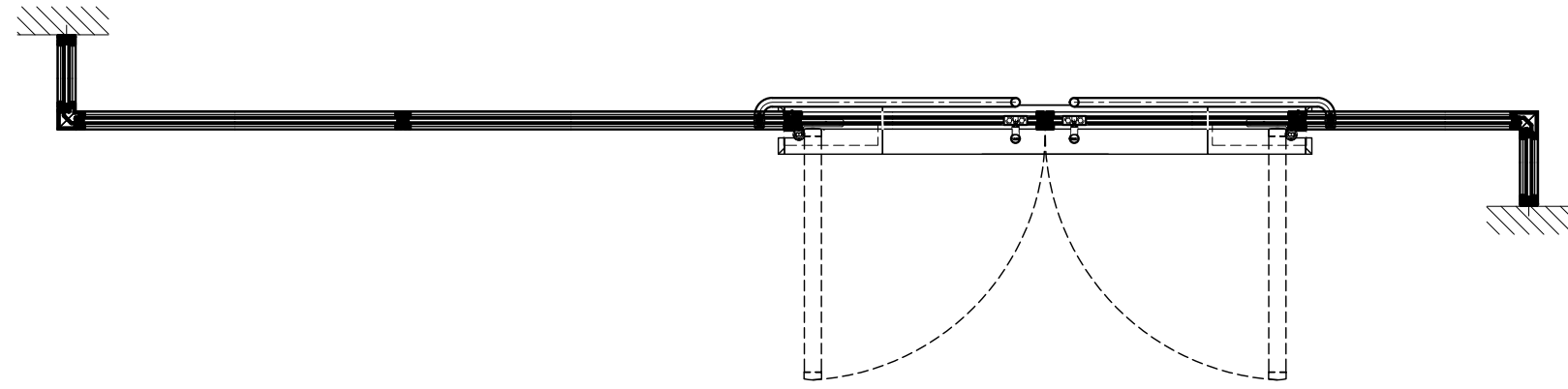
2 EXTERIOR ELEVATION
1" = 1'-0" ARCH. REF.: N/A

3 DOOR SECTION
1" = 1'-0" ARCH. REF.: N/A

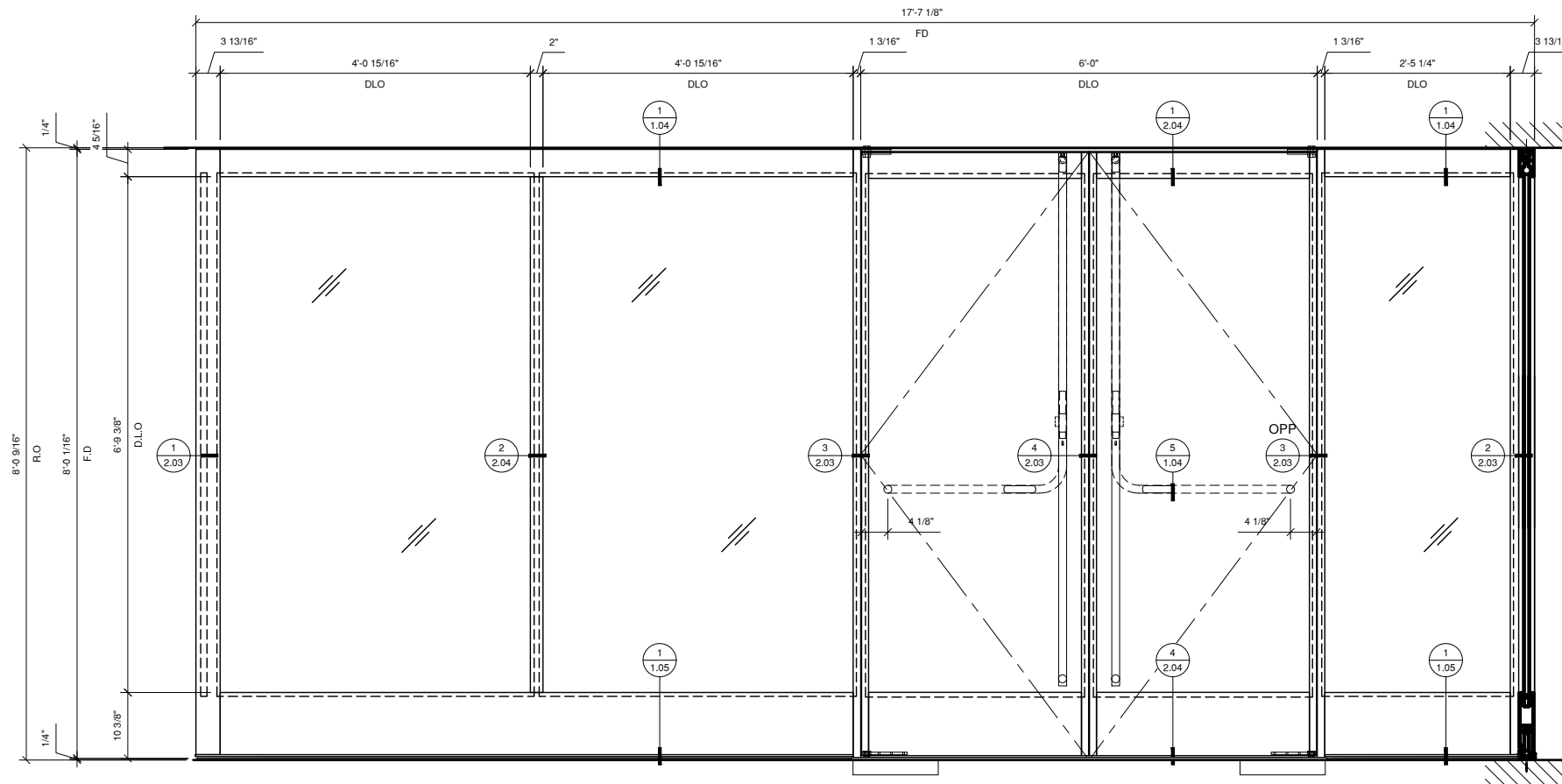
Description:
ENTICE SERIES
ENTRANCE SYSTEM
CLAD IN STAINLESS
STEEL OR BRASS

Drawn By: RPD
Date: 01/28/20
Scale: AS NOTED
File Name:
Entice Entrance System BS, PS, PB, SB.dwg
Sheet

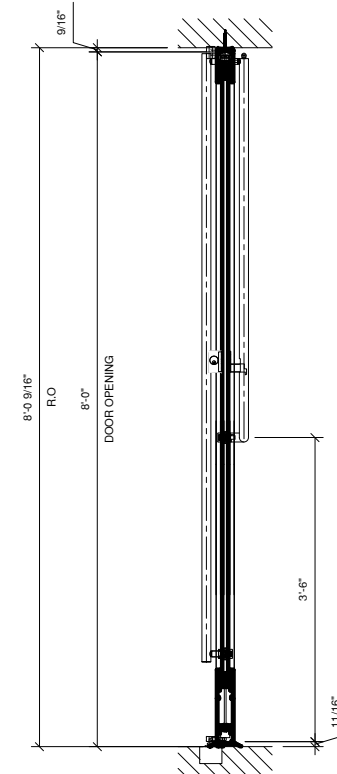
ENTICE SERIES ENTRANCE SYSTEM BS, PS, PB, & SB - OFFSET HUNG DOUBLE DOOR WITH 10 INCH BOT. RAIL, SIDELIGHTS AND CORNERS (w/ INTERM. MULLION)



① PLAN: OFFSET HUNG
ARCH REF: 1"=1'-0"



② EXTERIOR ELEVATION
1"=1'-0" ARCH. REF.: N/A



③ DOOR SECTION
1"=1'-0" ARCH. REF.: N/A

Revisions By:

CRL

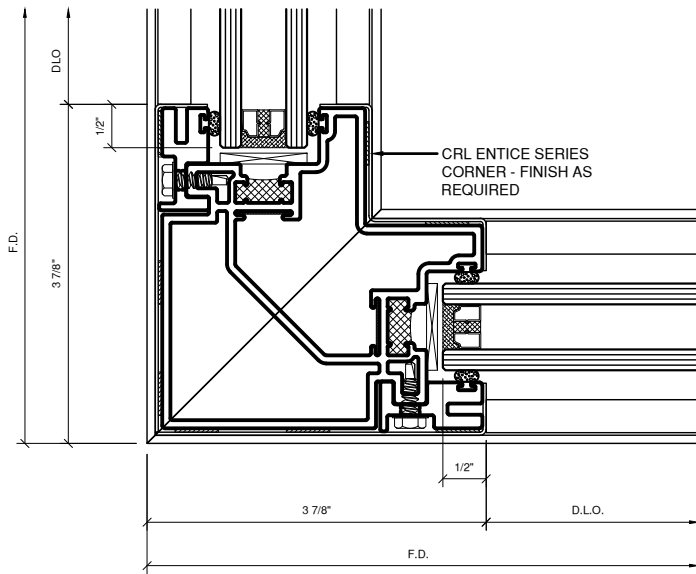
2503 E. Vernon Avenue, Los Angeles, CA 90058-1897
PH (800)-421-6144 FX: 800-587-7501 www.crlaurence.com

Description:
ENTICE SERIES
ENTRANCE SYSTEM
CLAD IN STAINLESS
STEEL OR BRASS

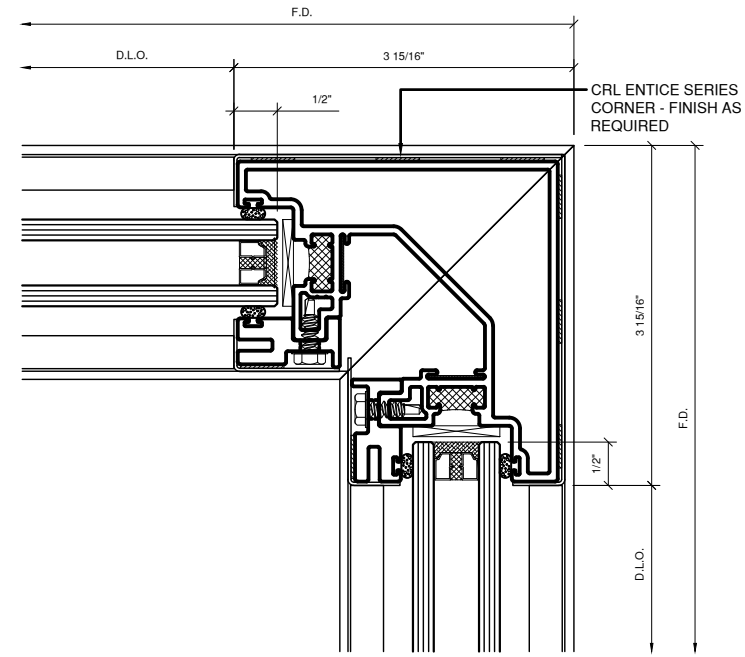
Drawn By: RPD
Date: 01/28/20
Scale: AS NOTED
File Name:
Entice Entrance System BS, PS, PB, SB.dwg

Sheet

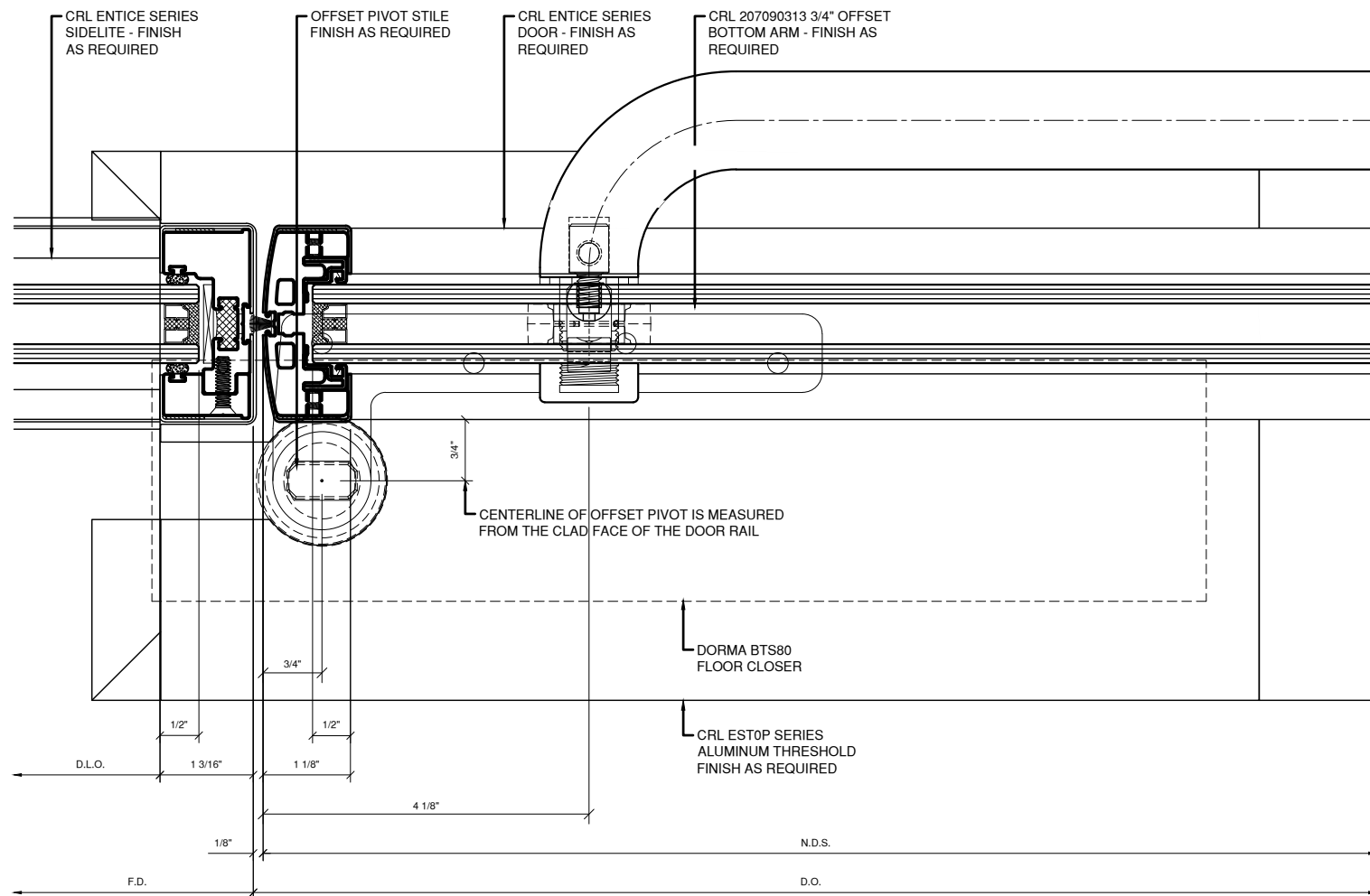
2.02



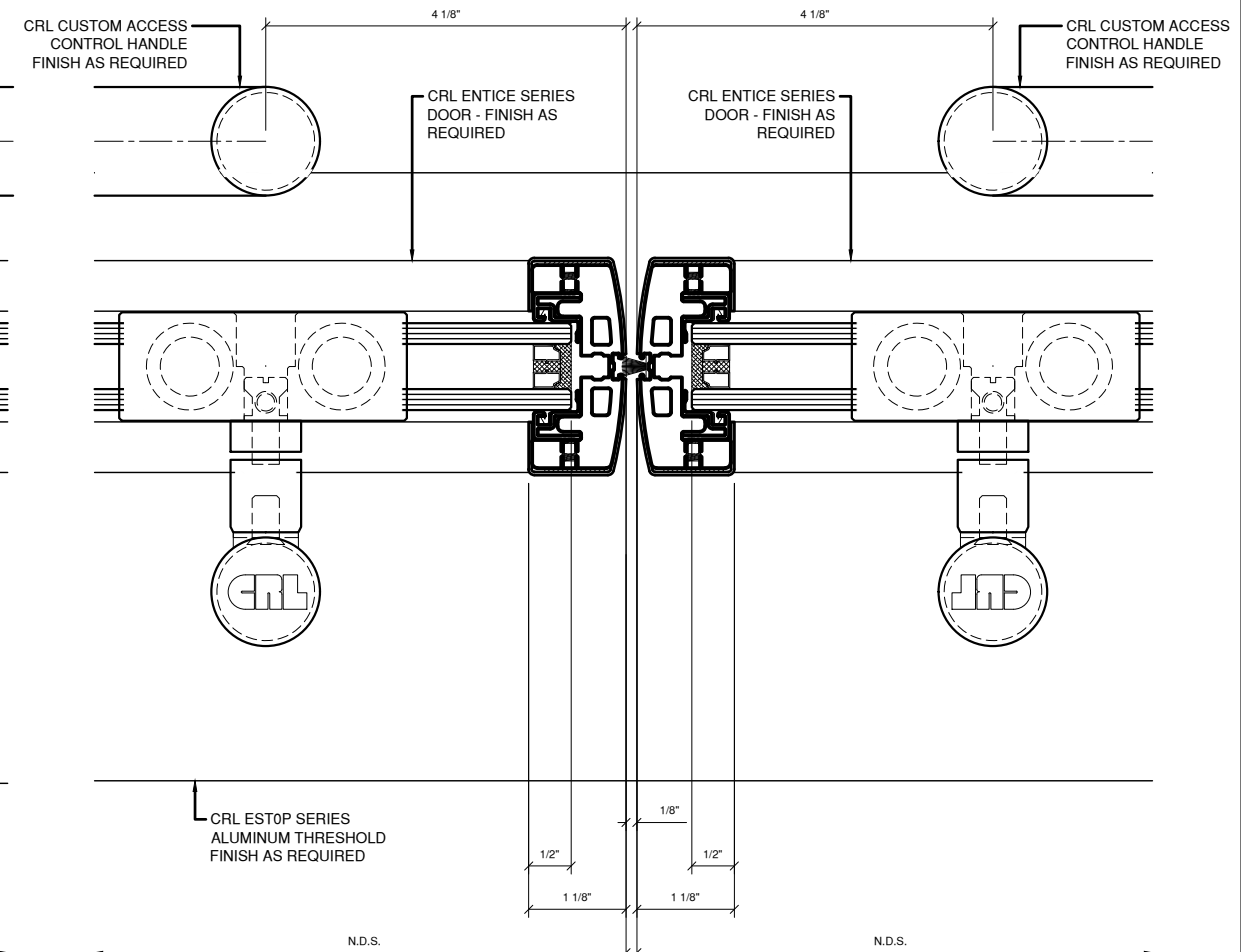
1 90 DEGREE OUTSIDE CORNER
1'-0" = 1'-0" ARCH. REF.: N/A



2 90 DEGREE INSIDE CORNER
1'-0" = 1'-0" ARCH. REF.: N/A



3 DOOR JAMB WITH SIDELITE
1'-0" = 1'-0" ARCH. REF.: N/A



4 MEETING STILE
1'-0" = 1'-0" ARCH. REF.: N/A

Revisions By:

CRL

2503 E. Vernon Avenue, Los Angeles, CA 90058-1897
PH (800)-421-6144 FX: 800-587-7501 www.crlaurence.com

Description:
ENTICE SERIES
ENTRANCE SYSTEM
CLAD IN STAINLESS
STEEL OR BRASS

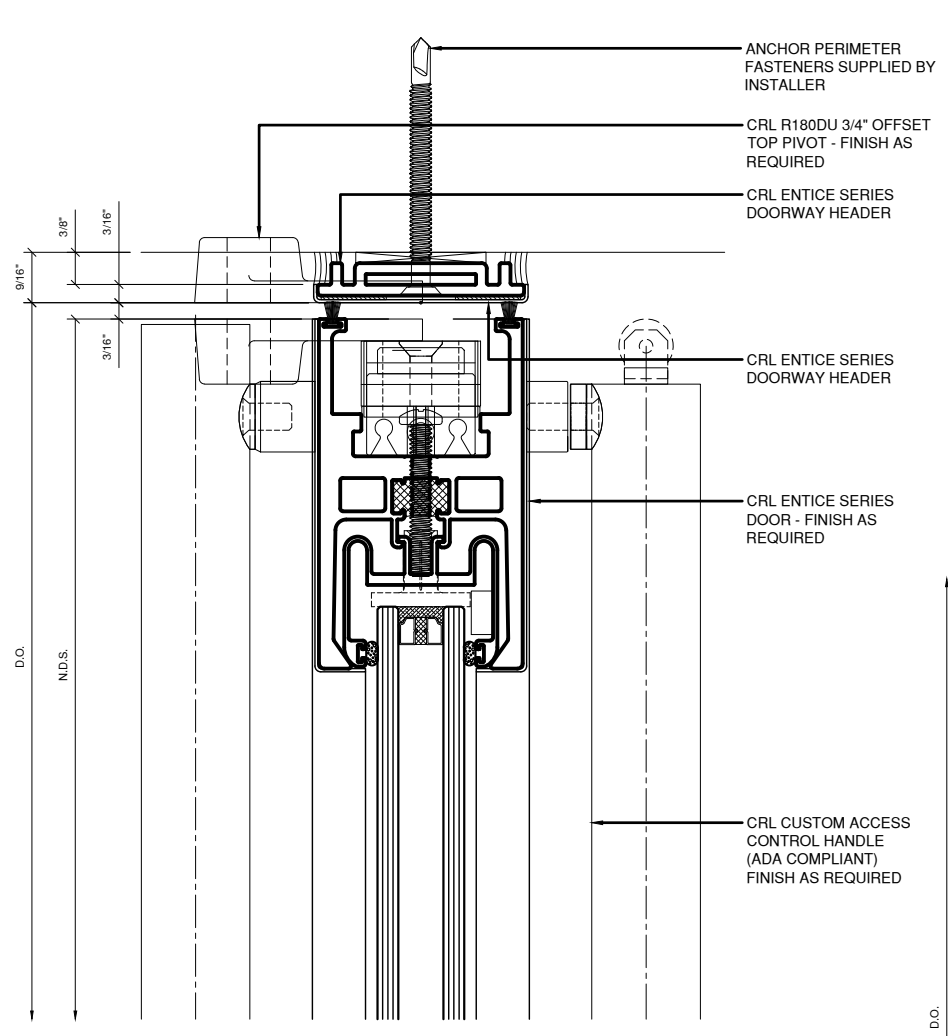
Drawn By: RPD
Date: 01/28/20
Scale: AS NOTED
File Name:
Entice Entrance System BS, PS, PB, SB.dwg
Sheet



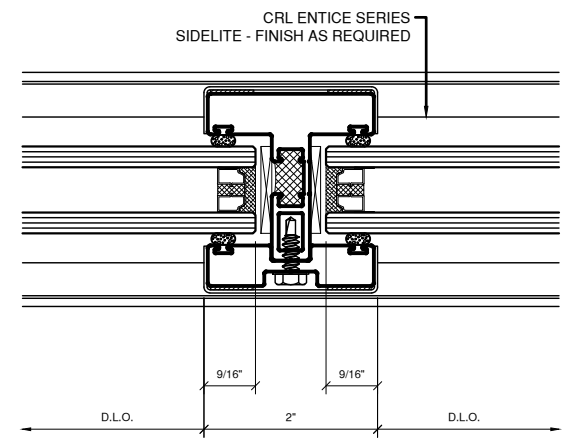
Description:
 ENTICE SERIES
 ENTRANCE SYSTEM
 CLAD IN STAINLESS
 STEEL OR BRASS

Drawn By: RPD
 Date: 01/28/20
 Scale: AS NOTED
 File Name:
 Entice Entrance System BS, PS, PB, SB.dwg

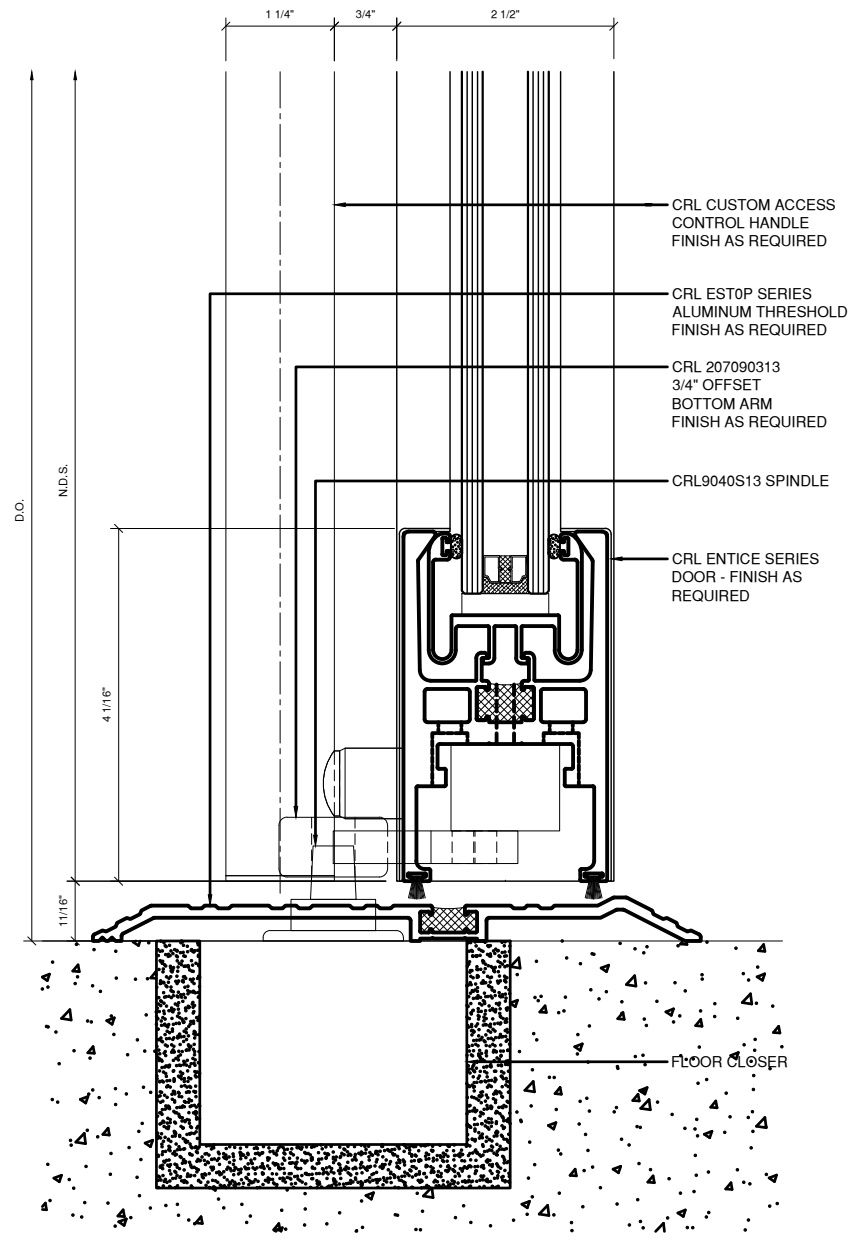
Sheet



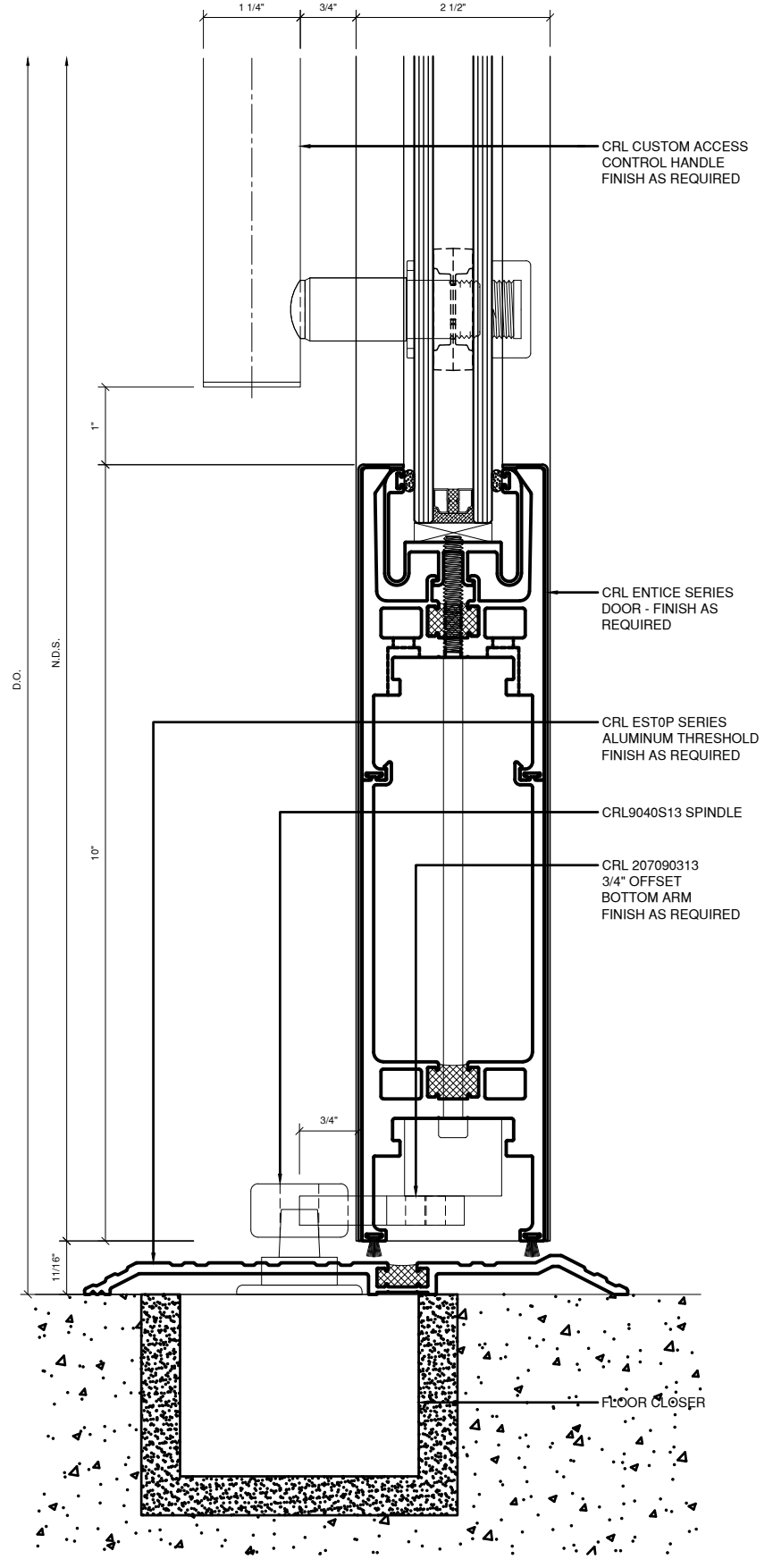
1 DOOR HEADER
 1'-0" = 1'-0" ARCH. REF.: N/A



2 INTERMEDIATE VERTICAL
 1'-0" = 1'-0" ARCH. REF.: N/A

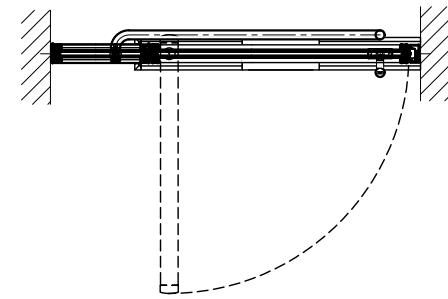


3 4" BOTTOM DOOR RAIL
 1'-0" = 1'-0" ARCH. REF.: N/A

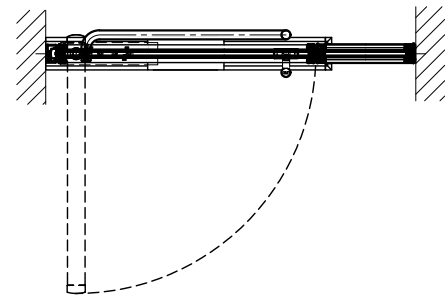


4 10" BOTTOM DOOR RAIL
 1'-0" = 1'-0" ARCH. REF.: N/A

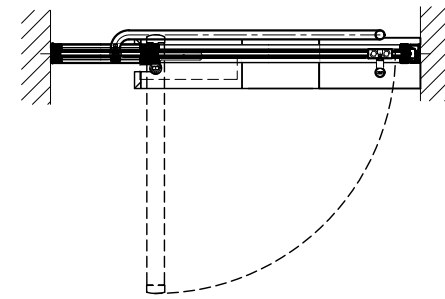
ENTICE SERIES ENTRANCE SYSTEM BS, PS, PB, & SB - CENTER / OFFSET HUNG SINGLE DOORS WITH 4 INCH BOTTOM RAIL AND DOOR JAMB WALL ADAPTER



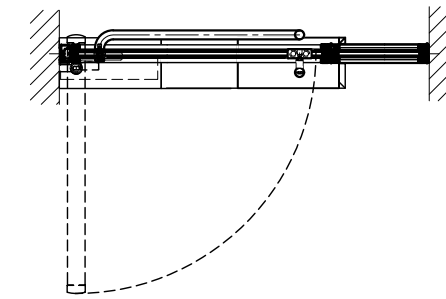
1 PLAN: CENTER HUNG
1" = 1'-0" ARCH. REF.: N/A



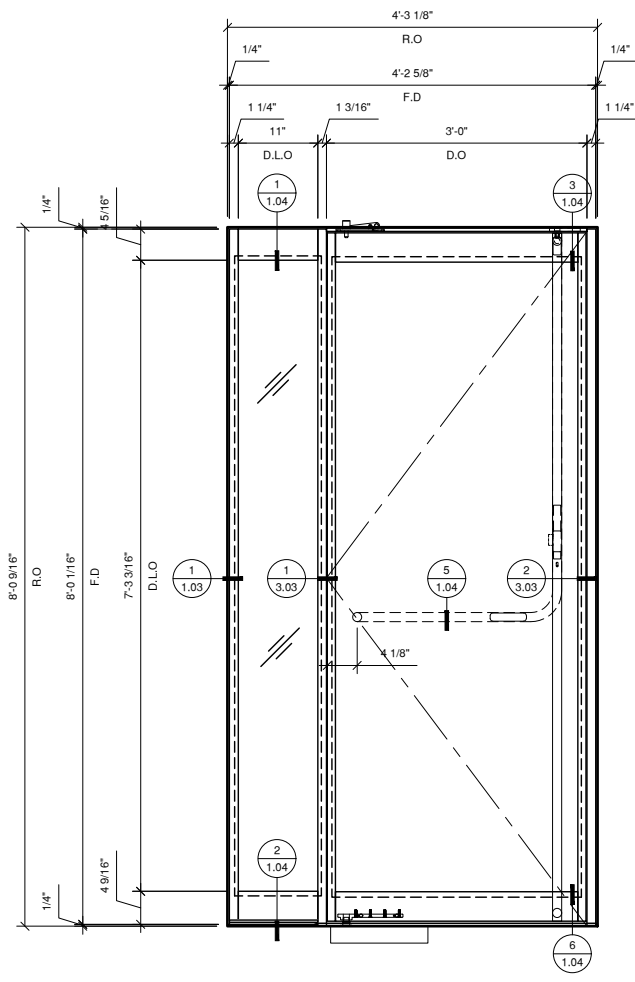
3 PLAN: CENTER HUNG
1" = 1'-0" ARCH. REF.: N/A



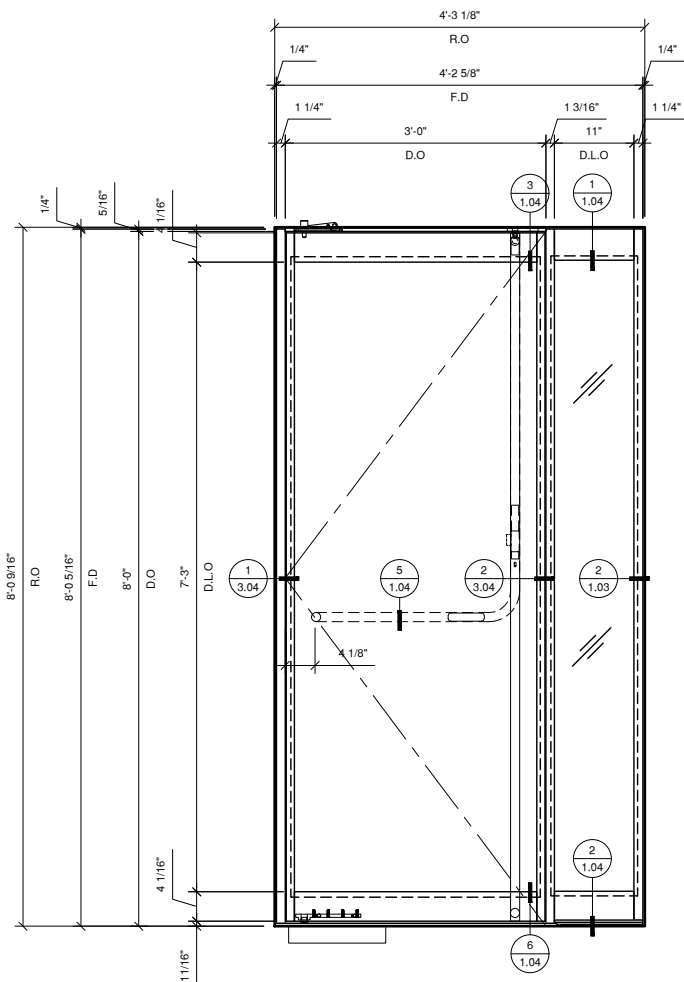
5 PLAN: OFFSET HUNG
1" = 1'-0" ARCH. REF.: N/A



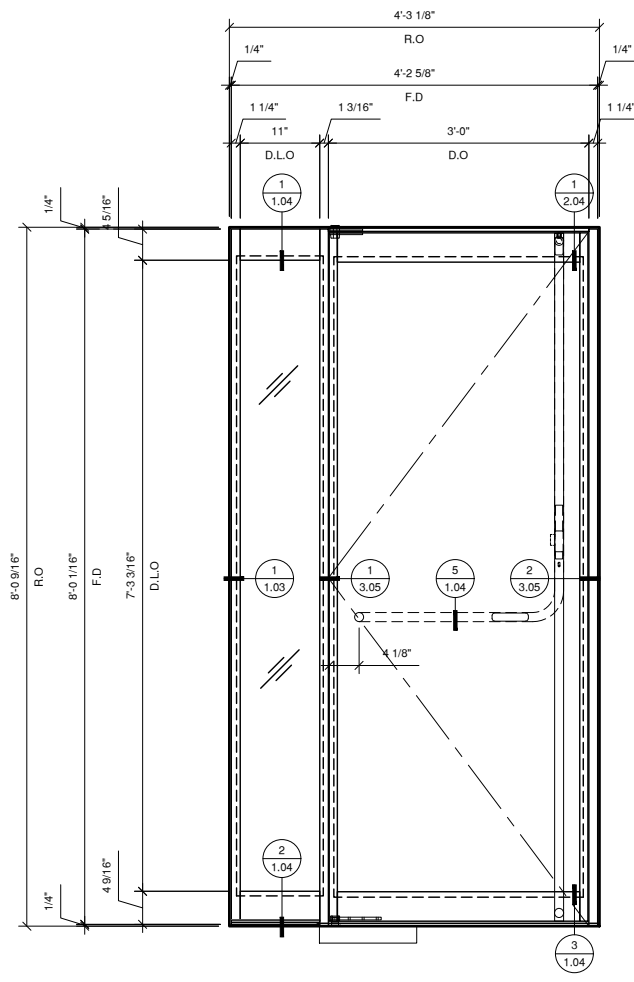
7 PLAN: OFFSET HUNG
1" = 1'-0" ARCH. REF.: N/A



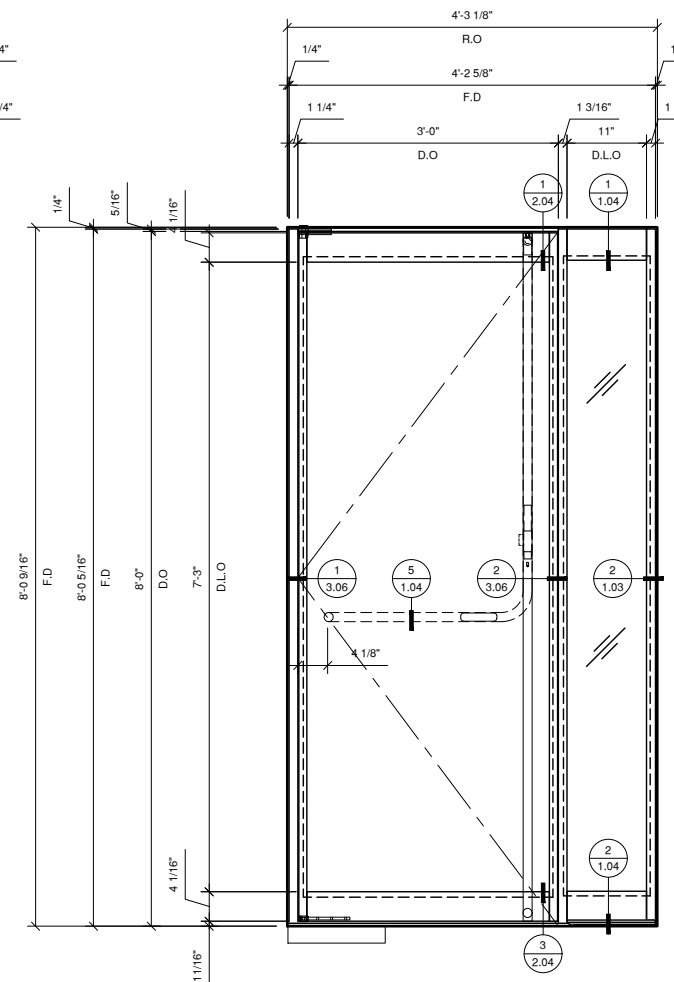
2 EXTERIOR ELEVATION
1" = 1'-0" ARCH. REF.: N/A



4 EXTERIOR ELEVATION
1" = 1'-0" ARCH. REF.: N/A



6 EXTERIOR ELEVATION
1" = 1'-0" ARCH. REF.: N/A



8 EXTERIOR ELEVATION
1" = 1'-0" ARCH. REF.: N/A

Revisions By:

CRL

2503 E. Vernon Avenue, Los Angeles, CA 90058-1897
PH (800)-421-6144 FX: 800-587-7501 www.crlaurence.com

Description:
ENTICE SERIES
ENTRANCE SYSTEM
CLAD IN STAINLESS
STEEL OR BRASS

Drawn By: RPD

Date: 01/28/20

Scale: AS NOTED

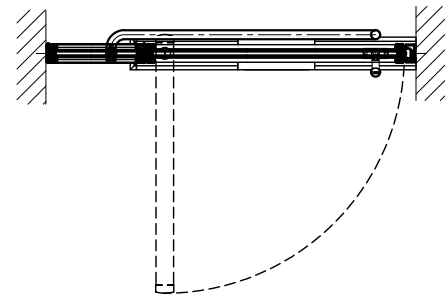
File Name:

Entice Entrance System BS, PS, PB, SB.dwg

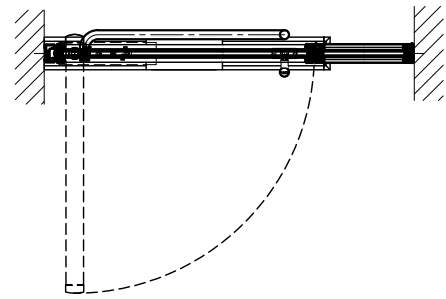
Sheet

3.01

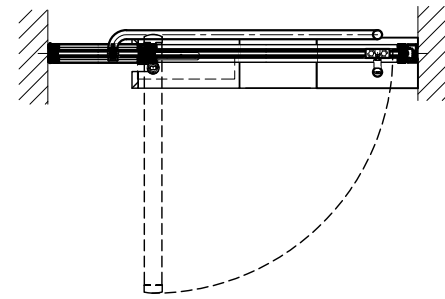
ENTICE SERIES ENTRANCE SYSTEM BS, PS, PB, & SB - CENTER / OFFSET HUNG SINGLE DOORS WITH 10 INCH BOTTOM RAIL AND DOOR JAMB WALL ADAPTER



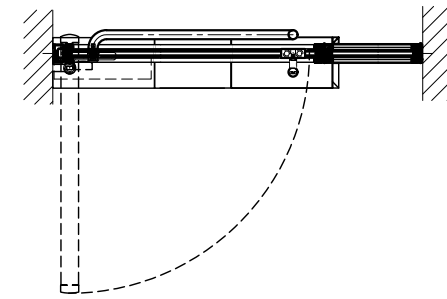
1 PLAN: CENTER HUNG
1" = 1'-0" ARCH. REF.: N/A



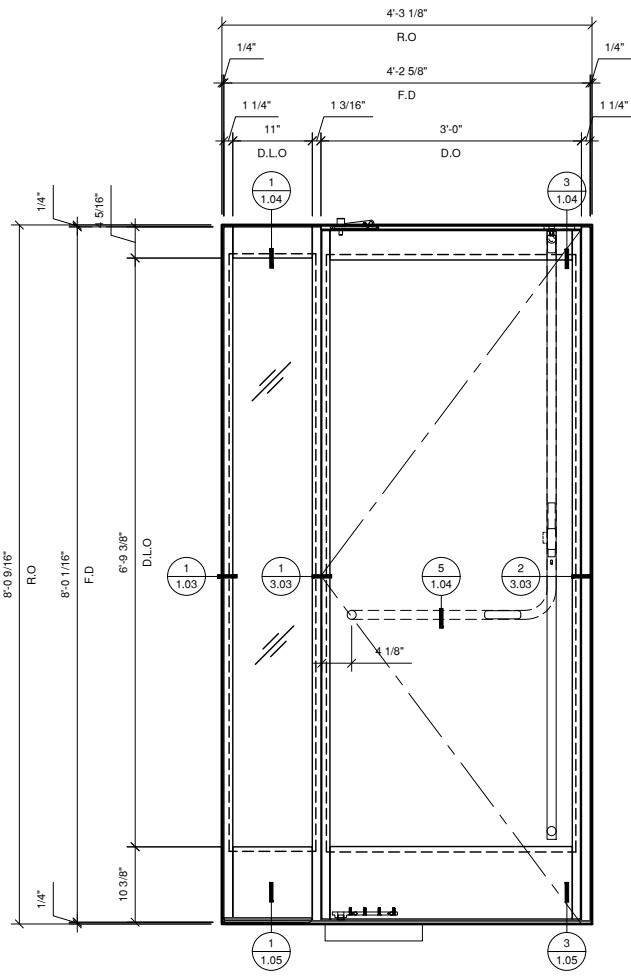
3 PLAN: CENTER HUNG
1" = 1'-0" ARCH. REF.: N/A



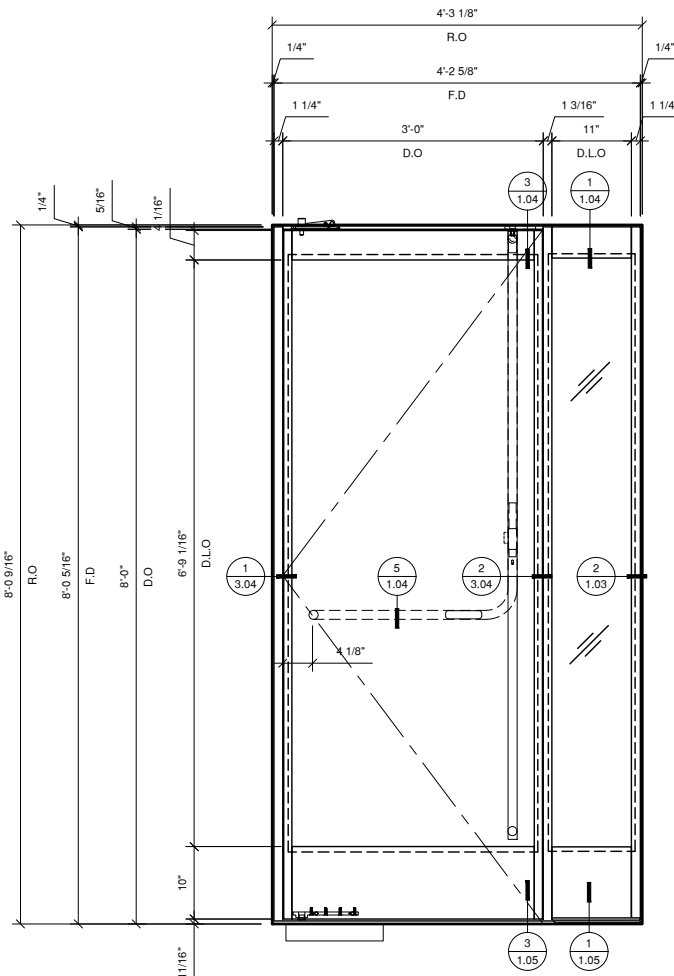
5 PLAN: OFFSET HUNG
1" = 1'-0" ARCH. REF.: N/A



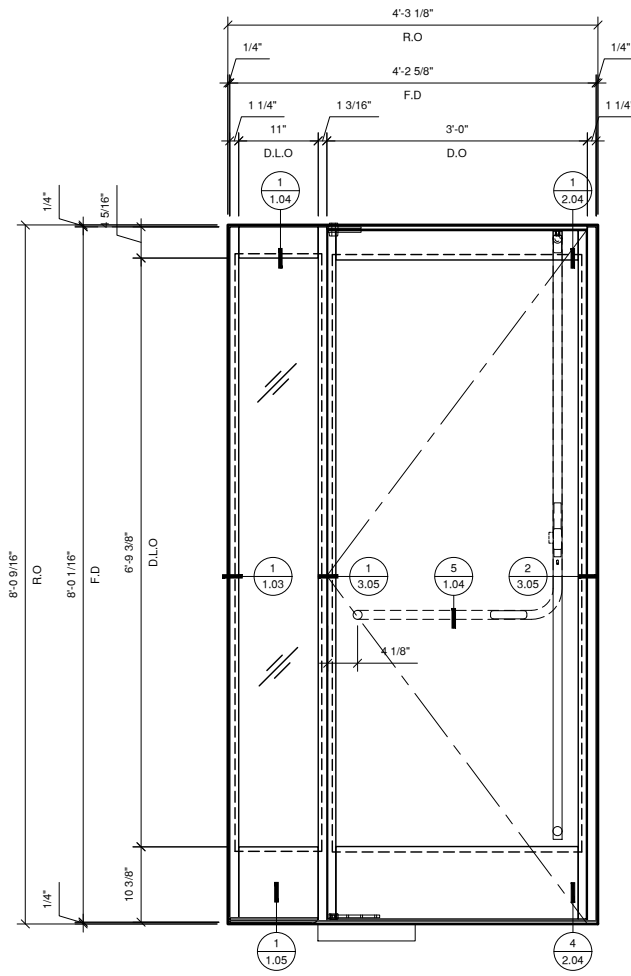
7 PLAN: OFFSET HUNG
1" = 1'-0" ARCH. REF.: N/A



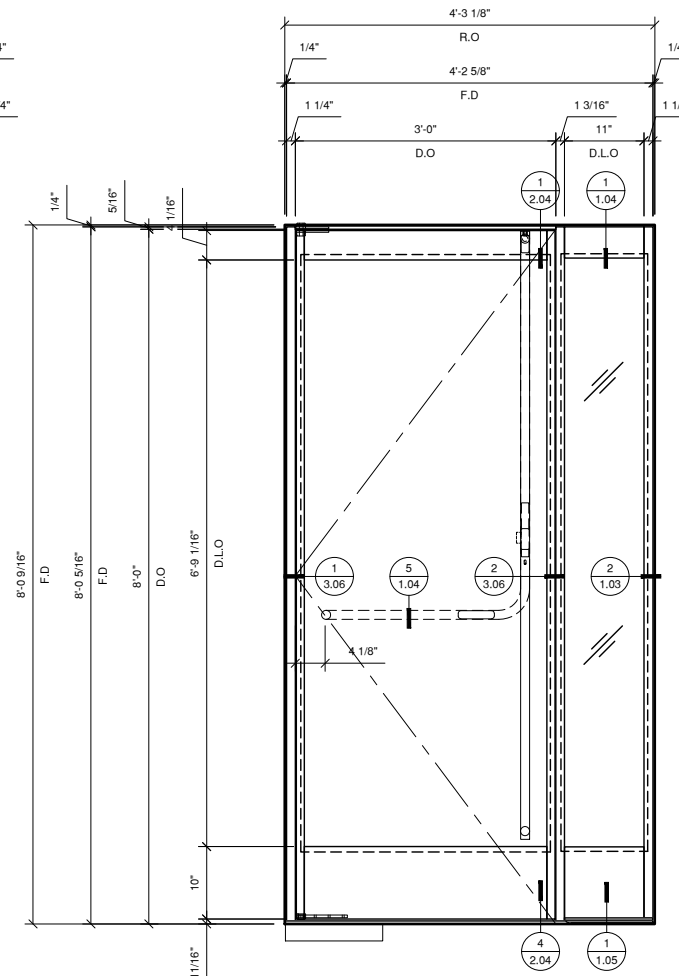
2 EXTERIOR ELEVATION
1" = 1'-0" ARCH. REF.: N/A



4 EXTERIOR ELEVATION
1" = 1'-0" ARCH. REF.: N/A



6 EXTERIOR ELEVATION
1" = 1'-0" ARCH. REF.: N/A



8 EXTERIOR ELEVATION
1" = 1'-0" ARCH. REF.: N/A

Revisions By:

CRL

2503 E. Vernon Avenue, Los Angeles, CA 90058-1897
PH (800)-421-6144 FX: 800-587-7501 www.crlaurence.com

Description:
ENTICE SERIES
ENTRANCE SYSTEM
CLAD IN STAINLESS
STEEL OR BRASS

Drawn By: RPD
Date: 01/28/20
Scale: AS NOTED
File Name:
Entice Entrance System BS, PS, PB, SB.dwg

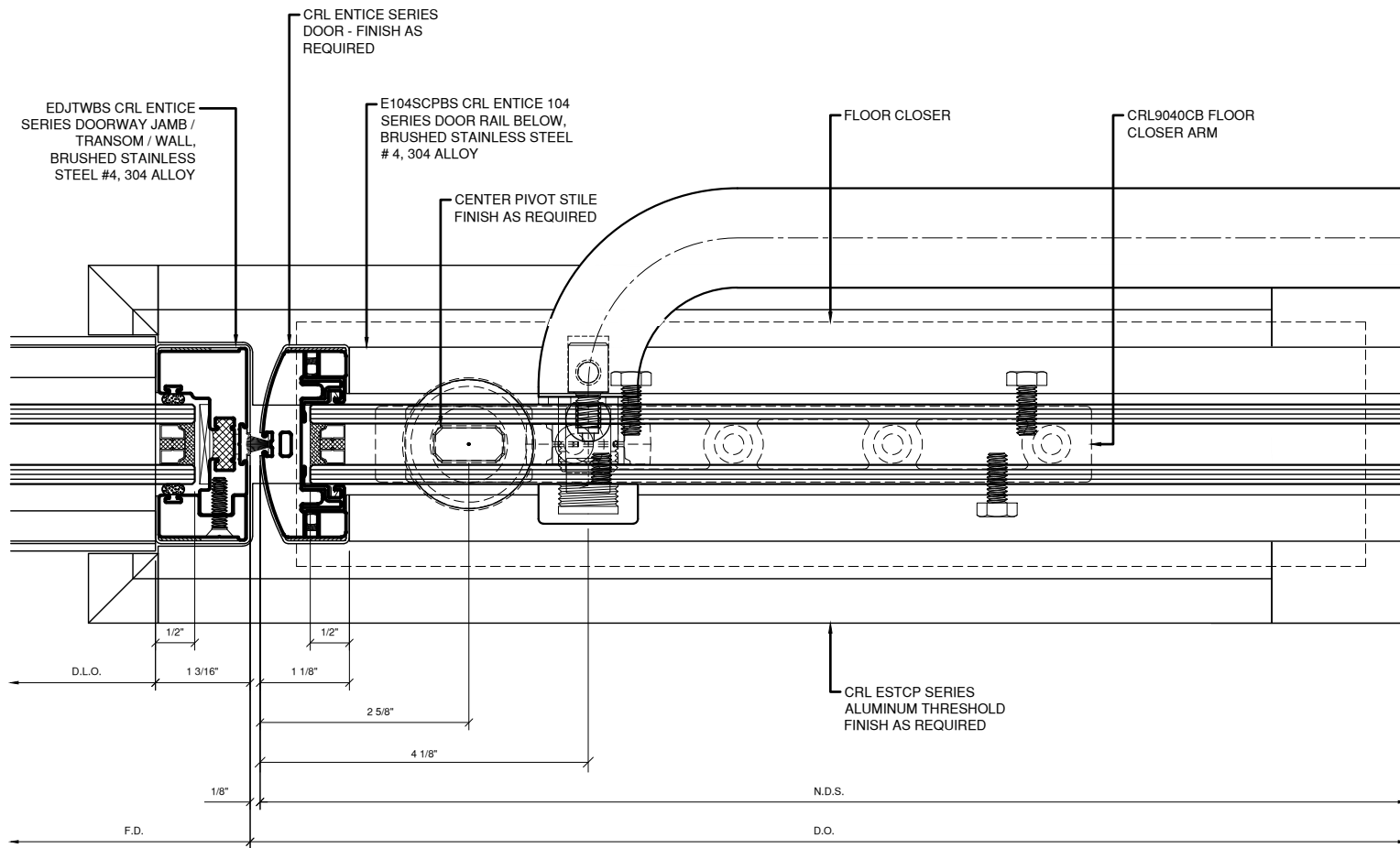
Sheet

3.02

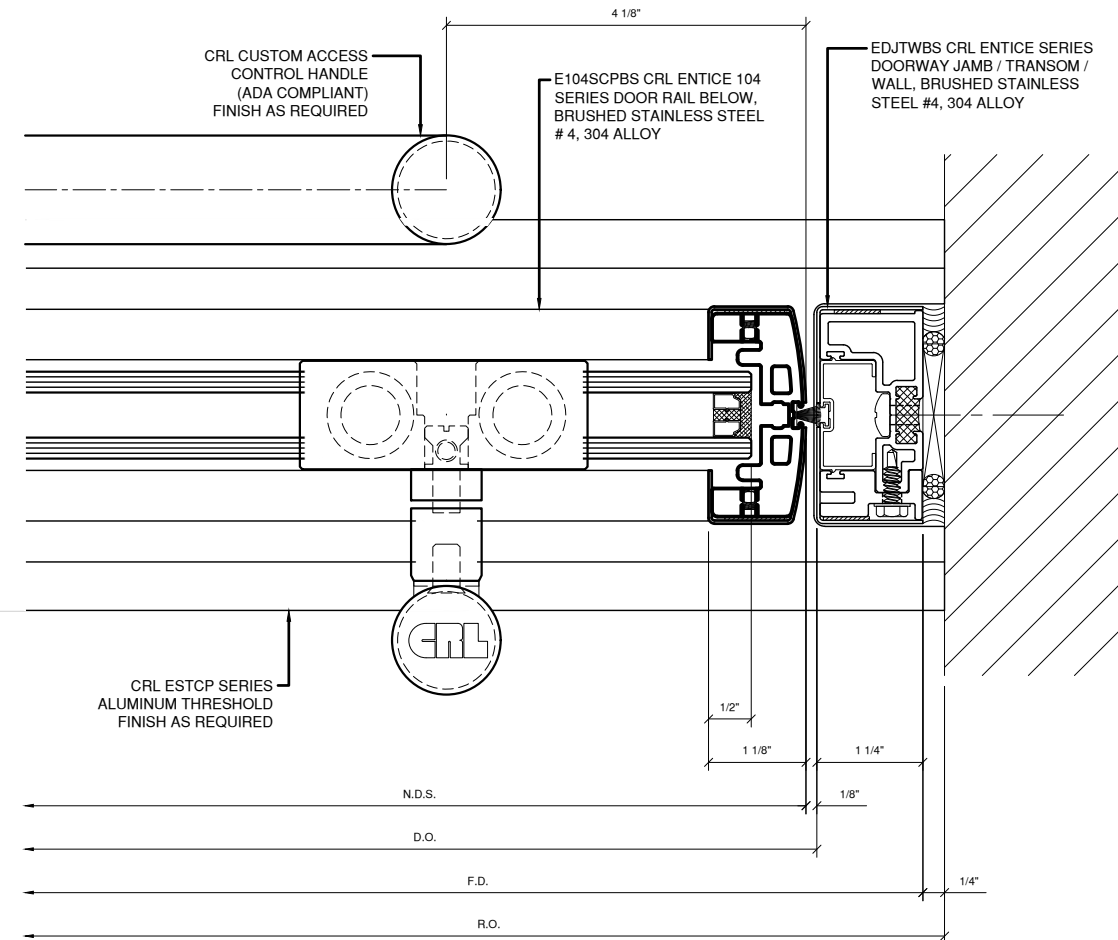
Revisions By:

CRL

2503 E. Vernon Avenue, Los Angeles, CA 90058-1897
PH (800)-421-6144 FX: 800-587-7501 www.crlaurence.com



1 DOOR JAMB WITH SIDELITE
1'-0" = 1'-0" ARCH. REF.: N/A



2 DOOR JAMB AT WALL
1'-0" = 1'-0" ARCH. REF.: N/A

Description:
ENTICE SERIES
ENTRANCE SYSTEM
CLAD IN STAINLESS
STEEL OR BRASS

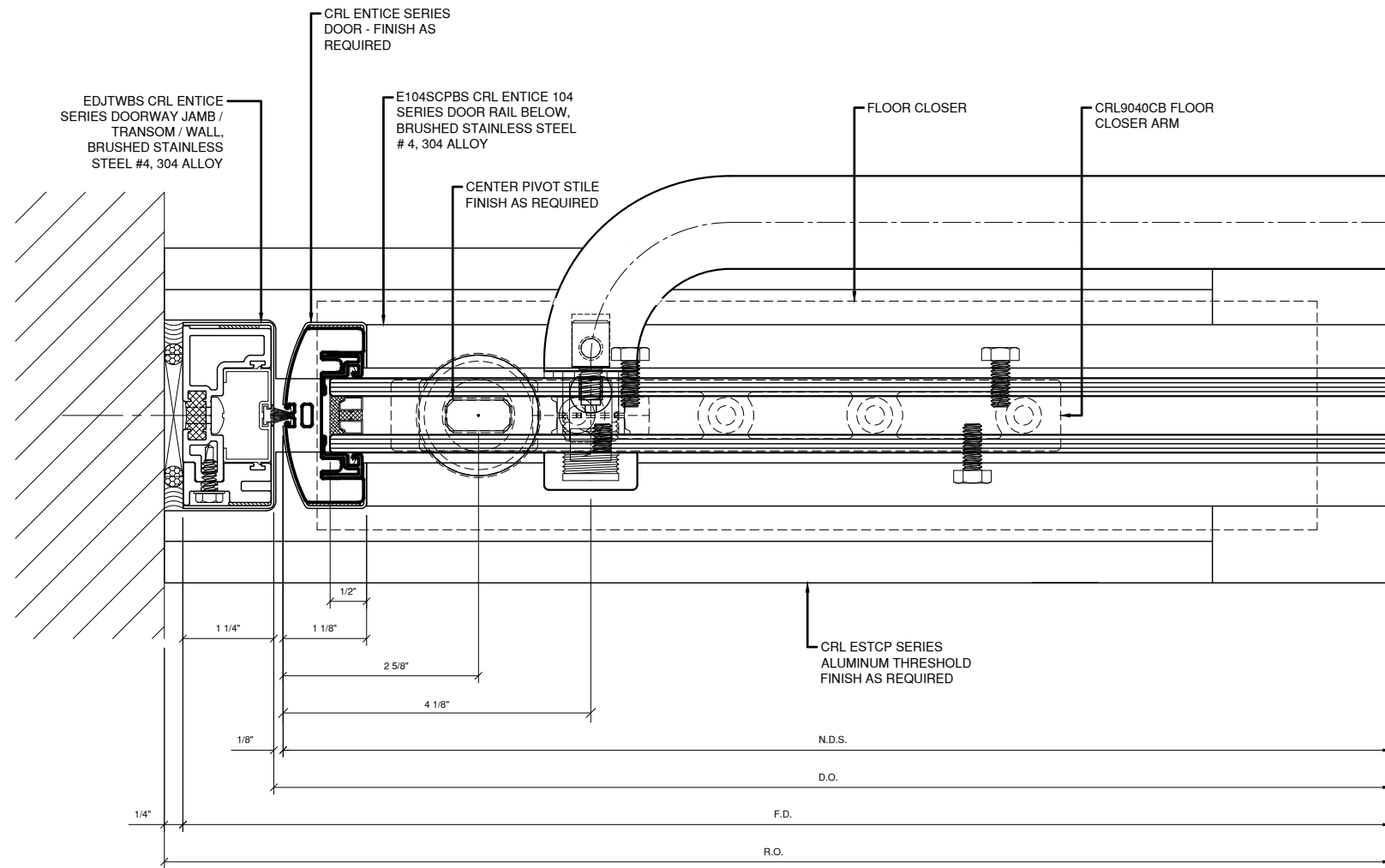
Drawn By: RPD
Date: 01/28/20
Scale: AS NOTED
File Name:
Entice Entrance System BS, PS, PB, SB.dwg

Sheet

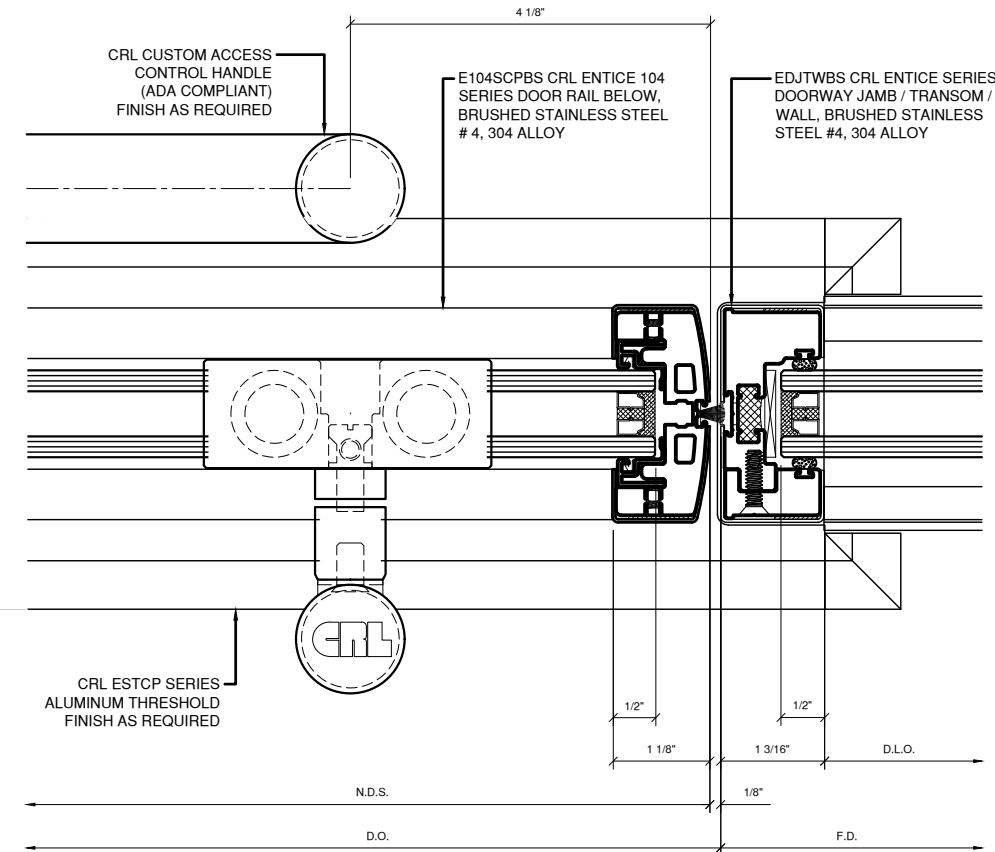
Revisions By:

CRL

2503 E. Vernon Avenue, Los Angeles, CA 90058-1897
PH (800)-421-6144 FX: 800-587-7501 www.crlaurence.com



1 INTERMEDIATE VERTICAL
1'-0" = 1'-0" ARCH. REF.: N/A



2 DOOR JAMB WITH SIDELITE
1'-0" = 1'-0" ARCH. REF.: N/A

Description:
ENTICE SERIES
ENTRANCE SYSTEM
CLAD IN STAINLESS
STEEL OR BRASS

Drawn By: RPD
Date: 01/28/20
Scale: AS NOTED
File Name:
Entice Entrance System BS, PS, PB, SB.dwg
Sheet

Revisions By:

CRL

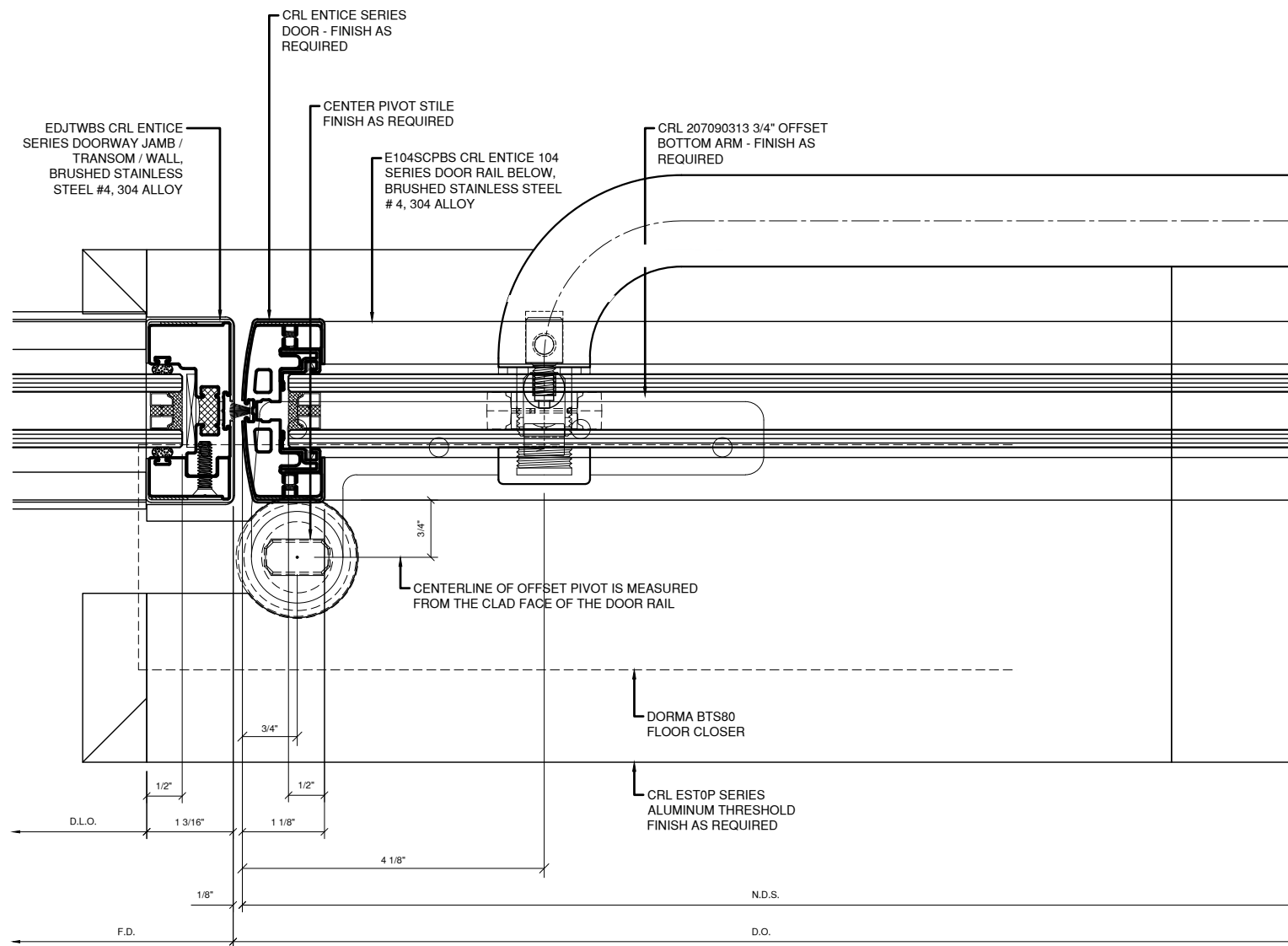
2503 E. Vernon Avenue, Los Angeles, CA 90058-1897
PH (800)-421-6144 FX: 800-587-7501 www.crlaurence.com

Description:
ENTICE SERIES
ENTRANCE SYSTEM
CLAD IN STAINLESS
STEEL OR BRASS

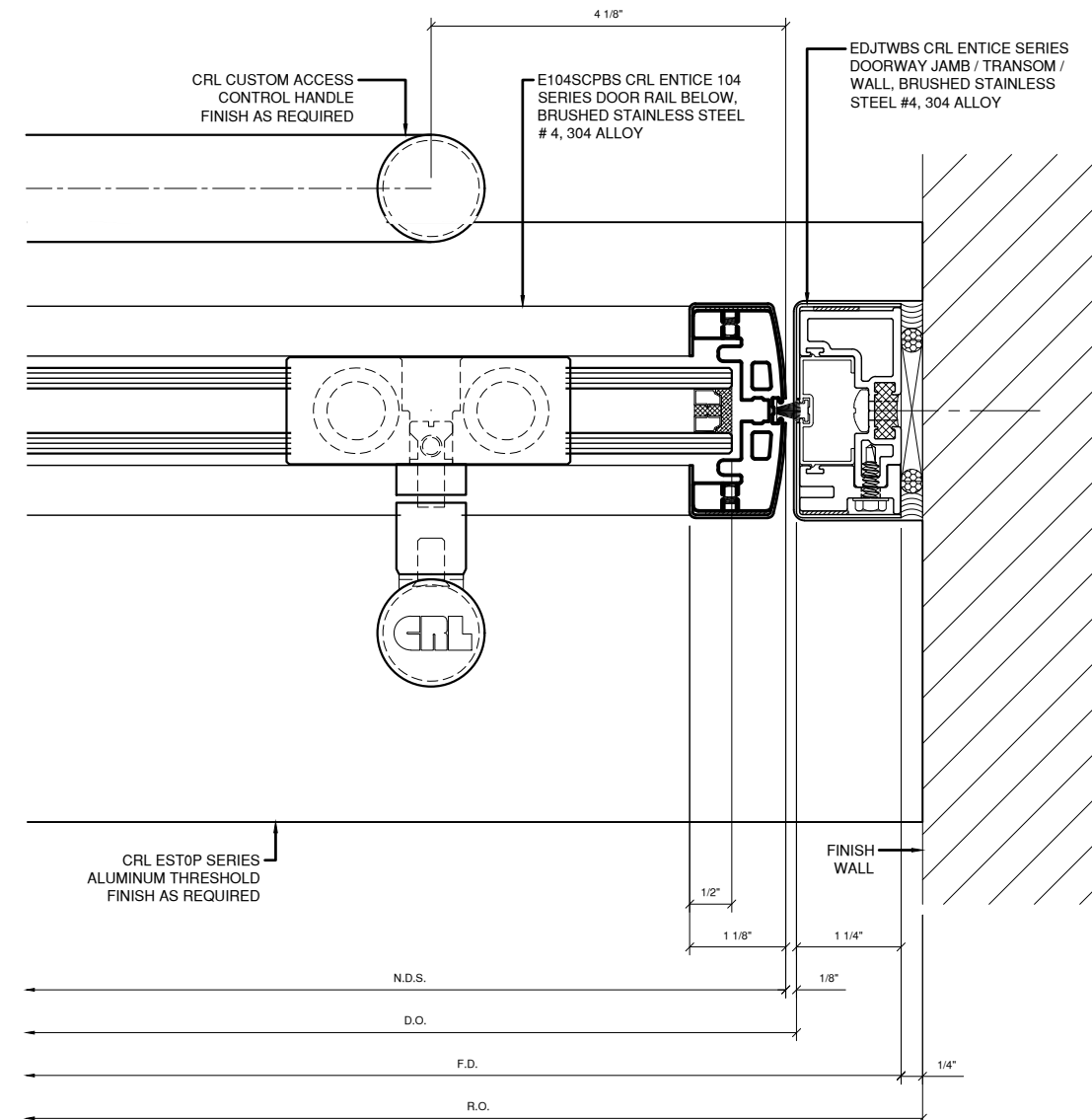
Drawn By: RPD
Date: 01/28/20
Scale: AS NOTED
File Name:
Entice Entrance System BS, PS, PB, SB.dwg

Sheet

3.05



1 DOOR JAMB WITH SIDELITE
1'-0" = 1'-0" ARCH. REF.: N/A



2 DOOR JAMB AT WALL
1'-0" = 1'-0" ARCH. REF.: N/A

Revisions By:

CRL

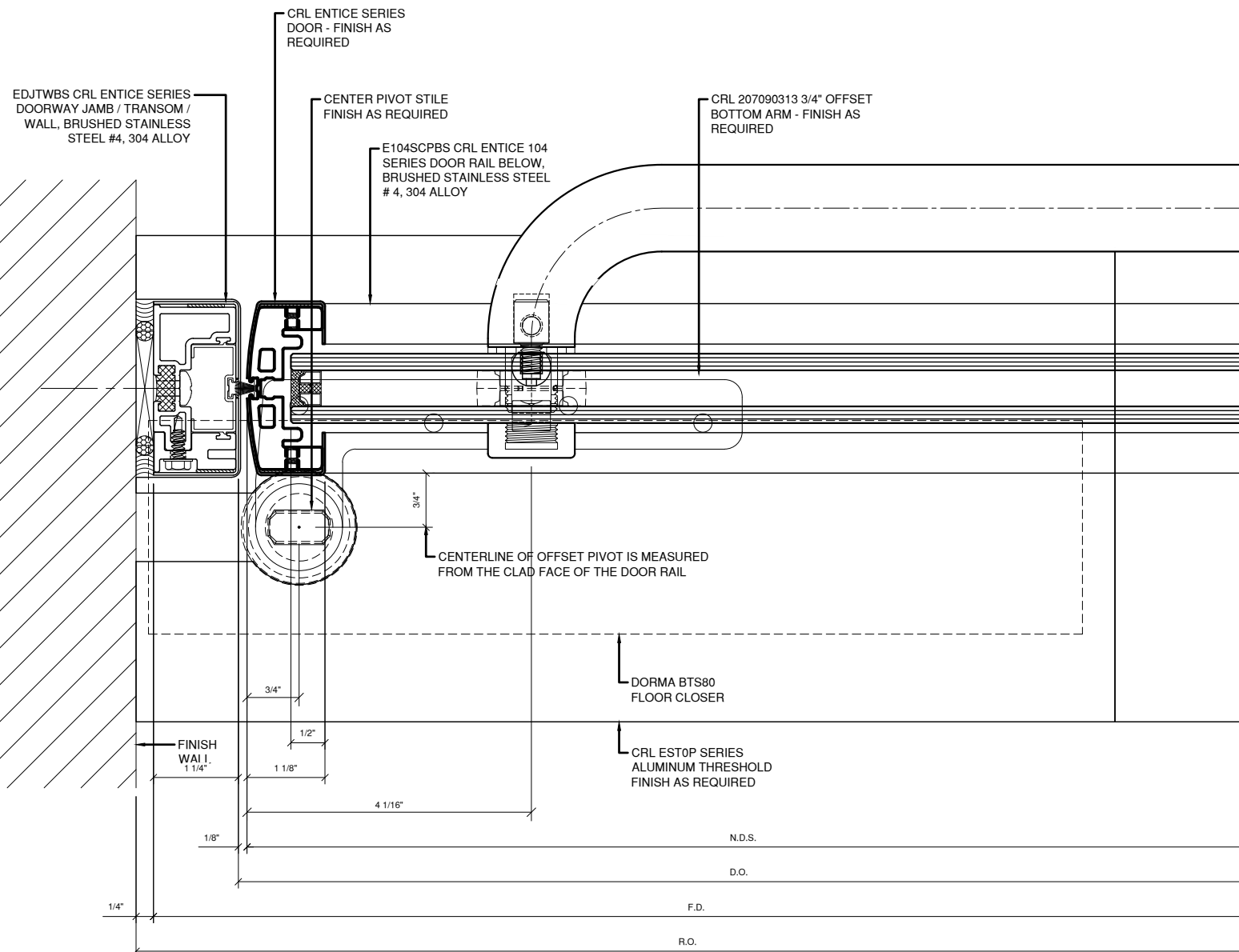
2503 E. Vernon Avenue, Los Angeles, CA 90058-1897
PH (800)-421-6144 FX: 800-587-7501 www.crlaurence.com

Description:
ENTICE SERIES
ENTRANCE SYSTEM
CLAD IN STAINLESS
STEEL OR BRASS

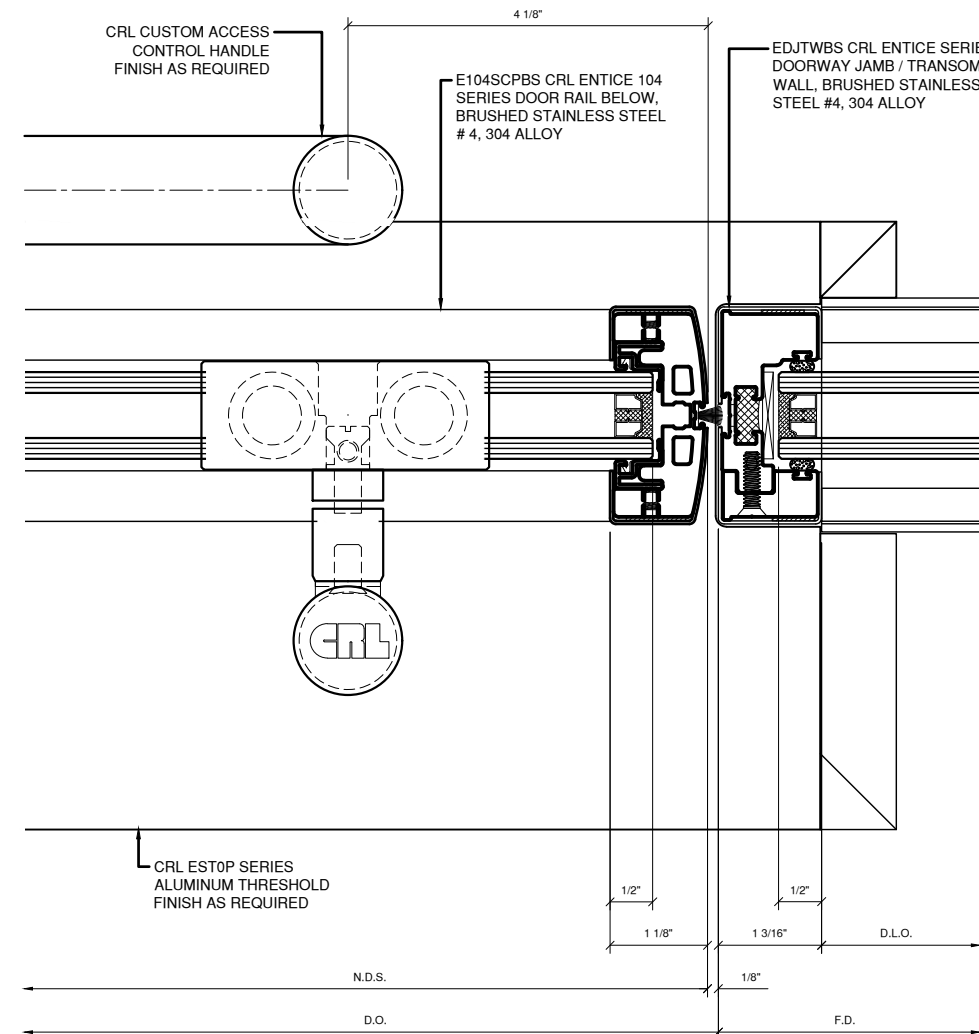
Drawn By: RPD
Date: 01/28/20
Scale: AS NOTED
File Name:
Entice Entrance System BS, PS, PB, SB.dwg

Sheet

3.06

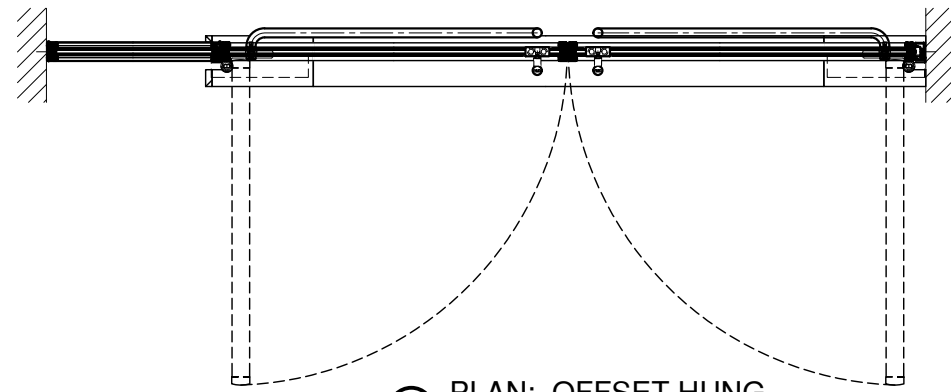


① DOOR JAMB AT WALL
1'-0" = 1'-0" ARCH. REF.: N/A



② DOOR JAMB AT SIDELITE
1'-0" = 1'-0" ARCH. REF.: N/A

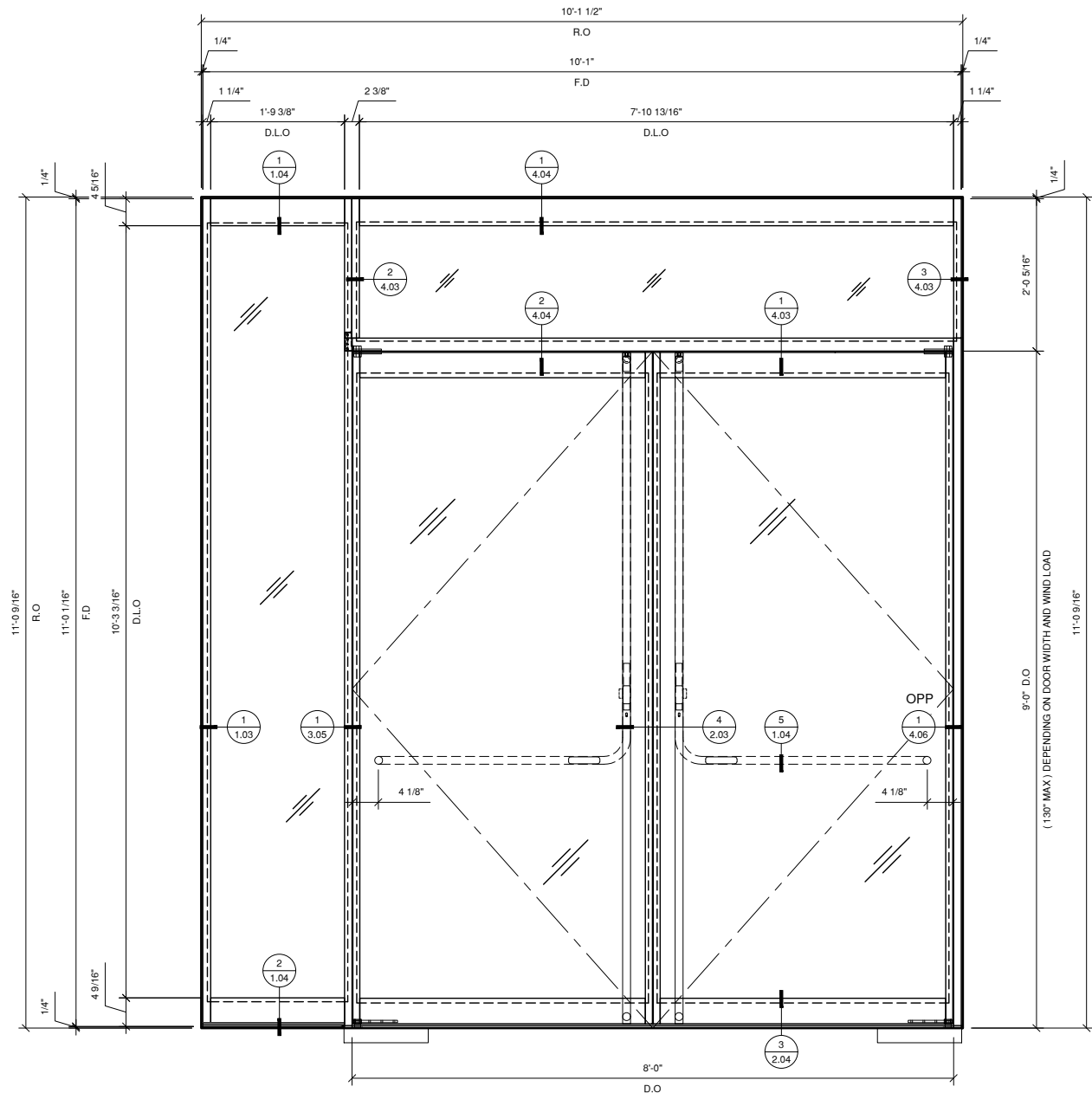
ENTICE SERIES ENTRANCE SYSTEM BS, PS, PB, & SB - OFFSET HUNG DOUBLE DOOR WITH 4 INCH BOTTOM RAIL AND TRANSOM



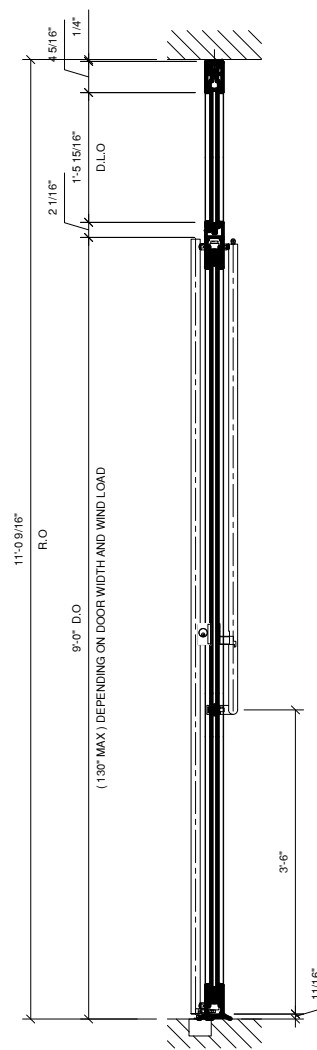
1 PLAN: OFFSET HUNG
1" = 1'-0" ARCH. REF.: N/A



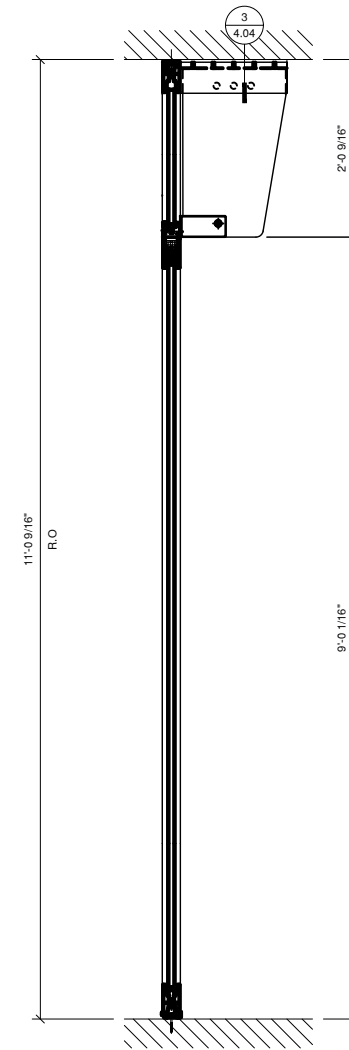
1A PLAN: TRANSOM
1" = 1'-0" ARCH. REF.: N/A



2 EXTERIOR ELEVATION
1" = 1'-0" ARCH. REF.: N/A



3 DOOR SECTION
1" = 1'-0" ARCH. REF.: N/A



4 SIDELIGHT SECTION
1" = 1'-0" ARCH. REF.: N/A

Revisions By:

CRL

2503 E. Vernon Avenue, Los Angeles, CA 90058-1897
PH (800)-421-6144 FX: 800-587-7501 www.crlaurence.com

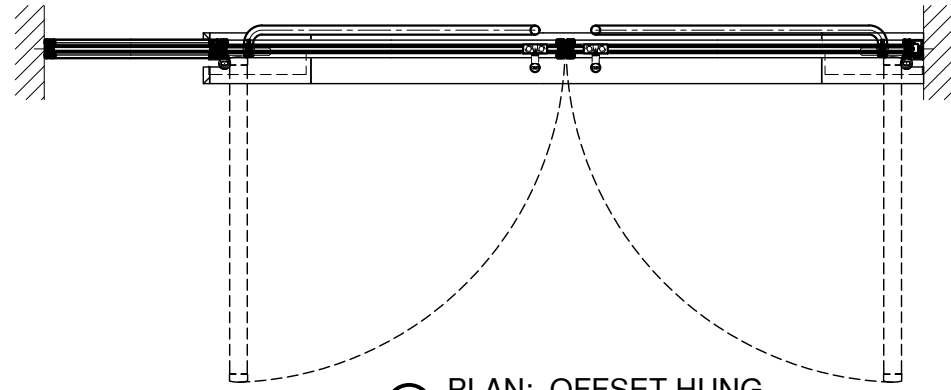
Description:
ENTICE SERIES
ENTRANCE SYSTEM
CLAD IN STAINLESS
STEEL OR BRASS

Drawn By: RPD
Date: 01/28/20
Scale: AS NOTED
File Name:
Entice Entrance System BS, PS, PB, SB.dwg

Sheet

4.01

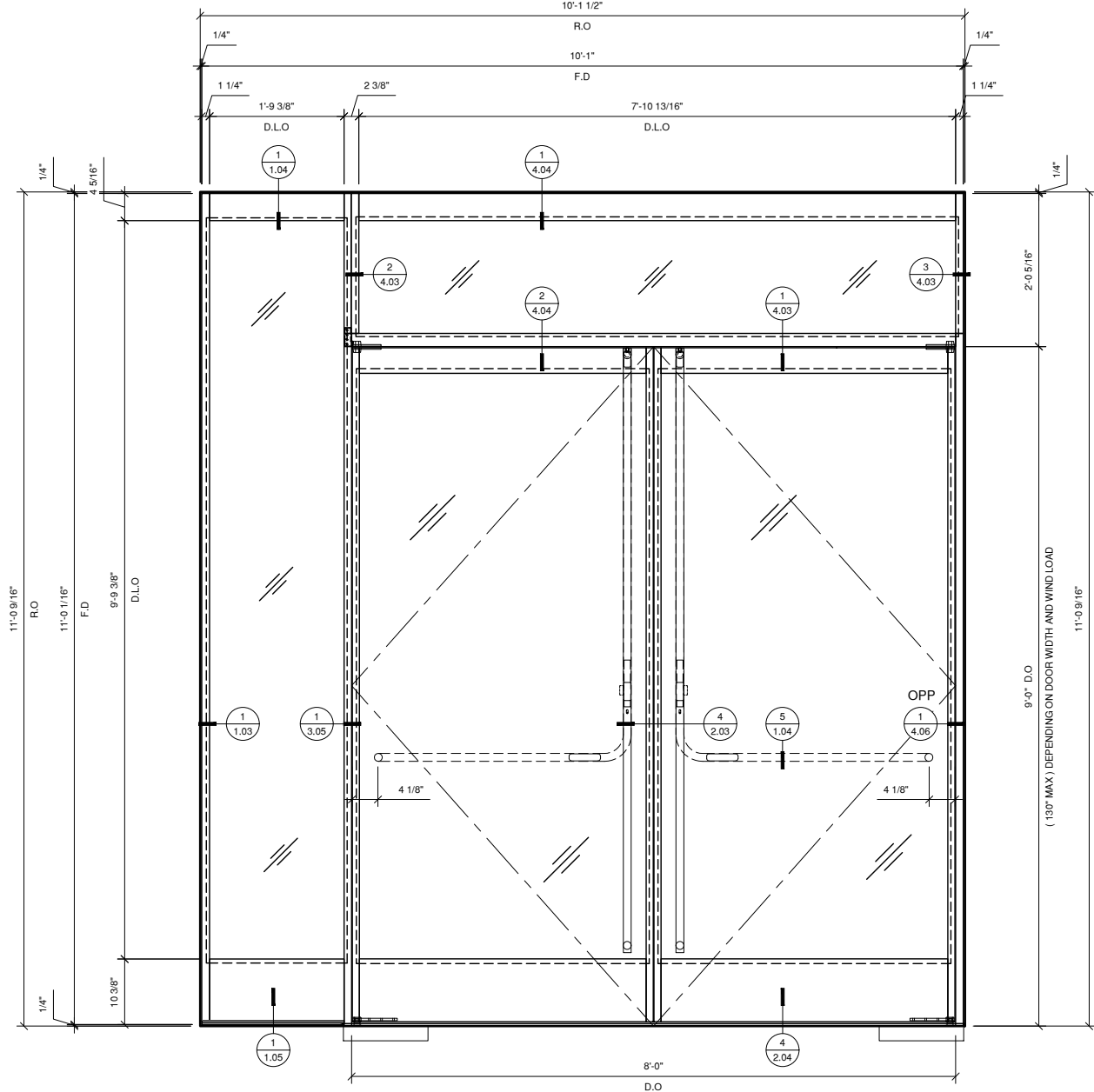
ENTICE SERIES ENTRANCE SYSTEM BS, PS, PB, & SB - OFFSET HUNG DOUBLE DOOR WITH 10 INCH BOTTOM RAIL AND TRANSOM



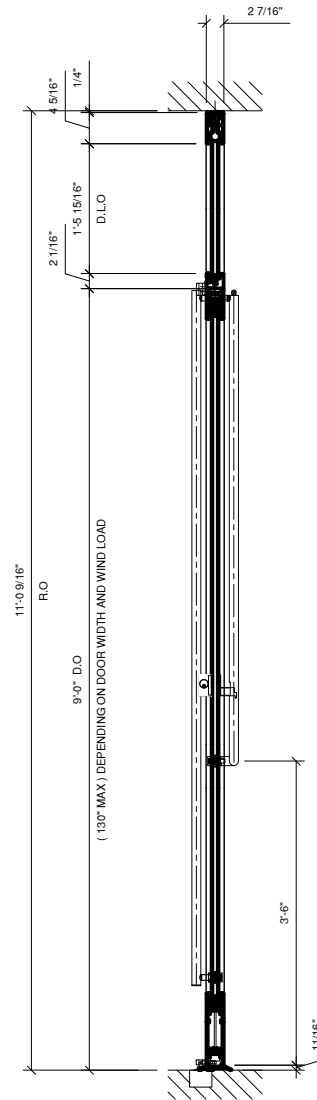
1 PLAN: OFFSET HUNG
1" = 1'-0" ARCH. REF.: N/A



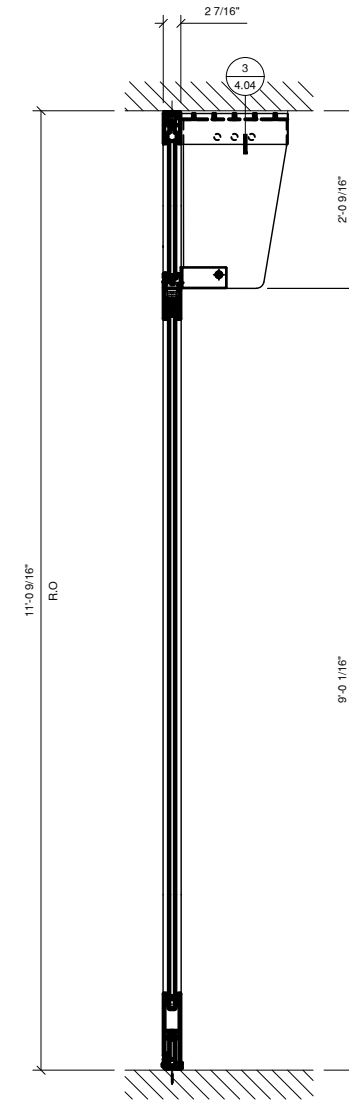
1A PLAN: TRANSOM
1" = 1'-0" ARCH. REF.: N/A



2 EXTERIOR ELEVATION
1" = 1'-0" ARCH. REF.: N/A



3 DOOR SECTION
1" = 1'-0" ARCH. REF.: N/A



4 SIDELIGHT SECTION
1" = 1'-0" ARCH. REF.: N/A

Revisions By:

CRL

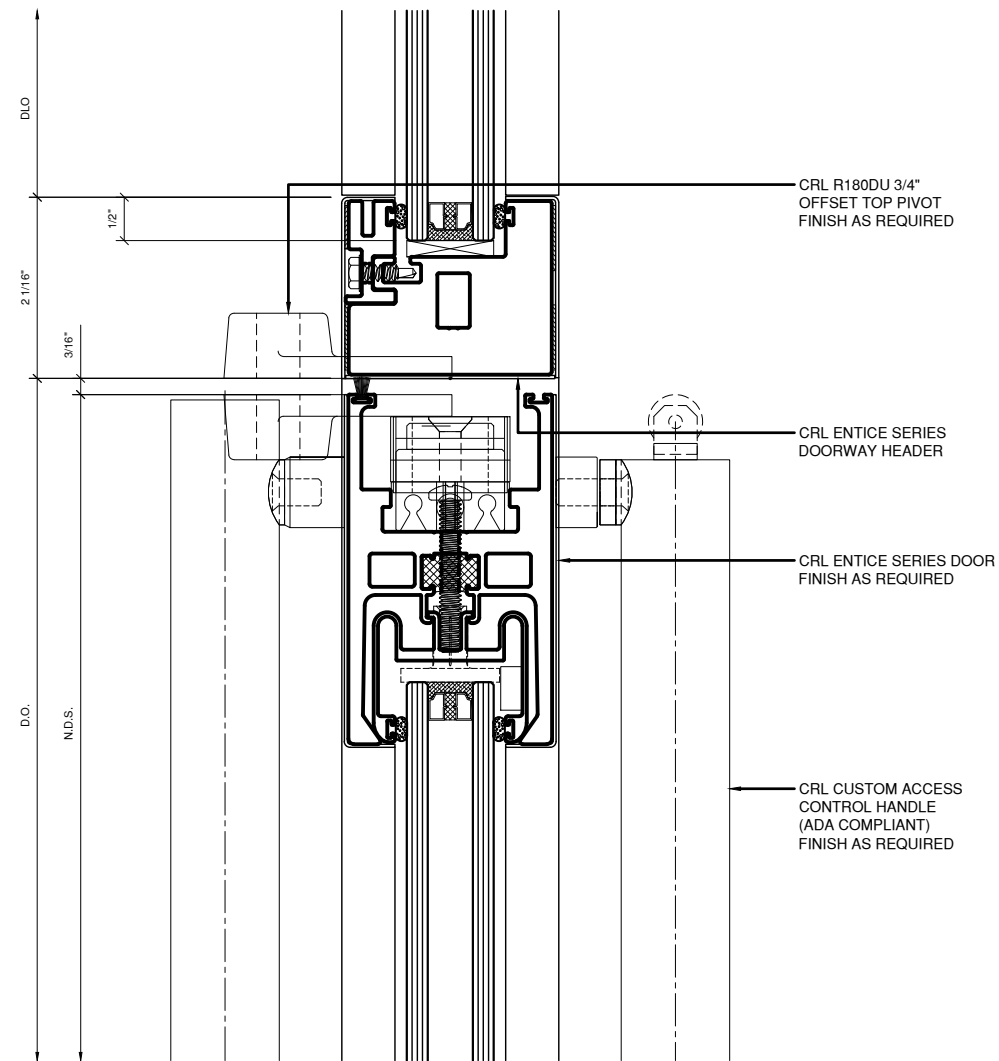
2503 E. Vernon Avenue, Los Angeles, CA 90058-1897
PH (800)-421-6144 FX: 800-587-7501 www.crlaurence.com

Description:
ENTICE SERIES
ENTRANCE SYSTEM
CLAD IN STAINLESS
STEEL OR BRASS

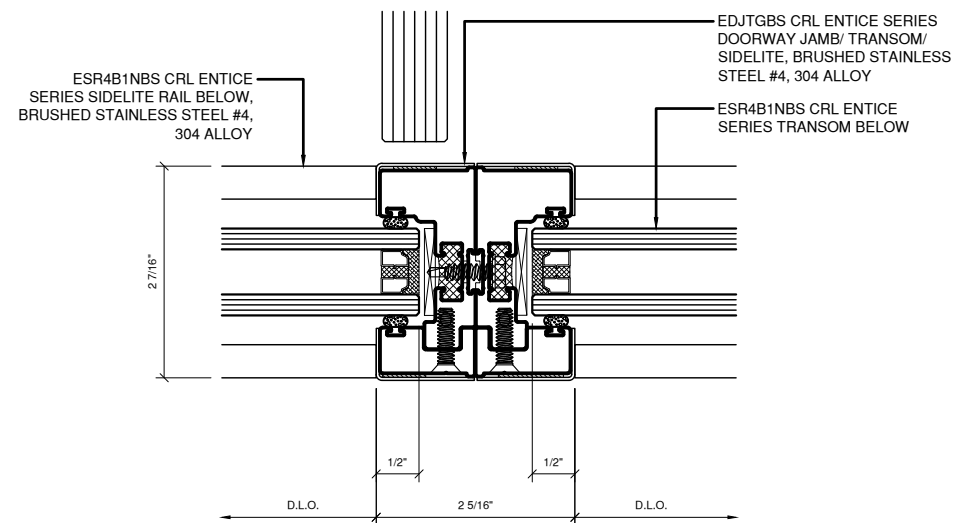
Drawn By: RPD
Date: 01/28/20
Scale: AS NOTED
File Name:
Entice Entrance System BS, PS, PB, SB.dwg

Sheet

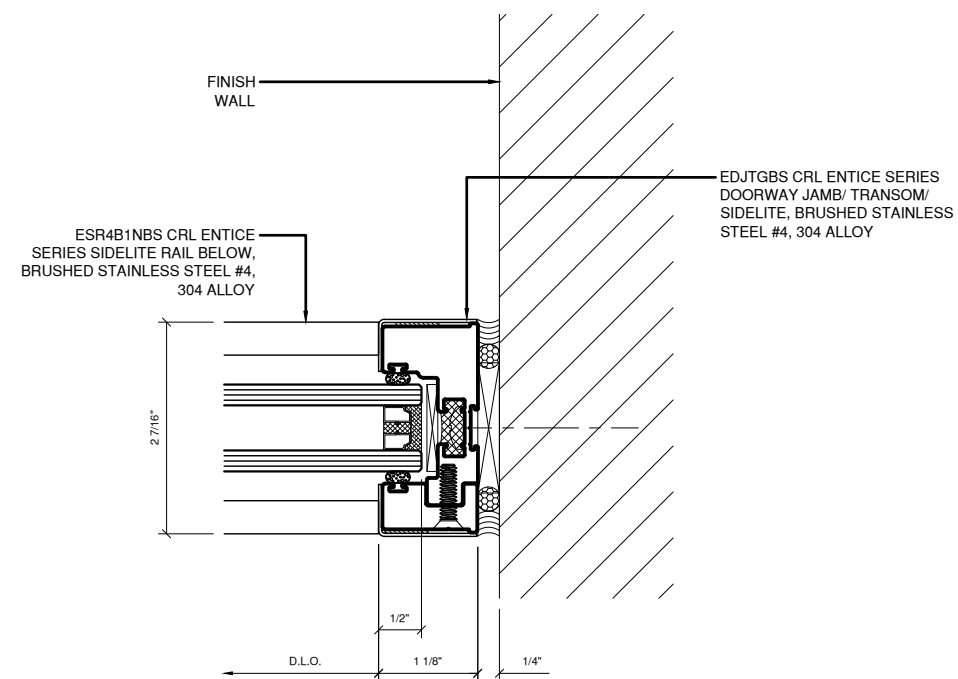
4.02



1 DOOR HEAD / TRANSOM
1'-0" = 1'-0" ARCH. REF.: N/A



2 ENTICE SIDELITE AT TRANSOM
1'-0" = 1'-0" ARCH. REF.: N/A



3 ENTICE TRANSOM AT WALL DETAIL
1'-0" = 1'-0" ARCH. REF.: N/A

Revisions By:

CRL

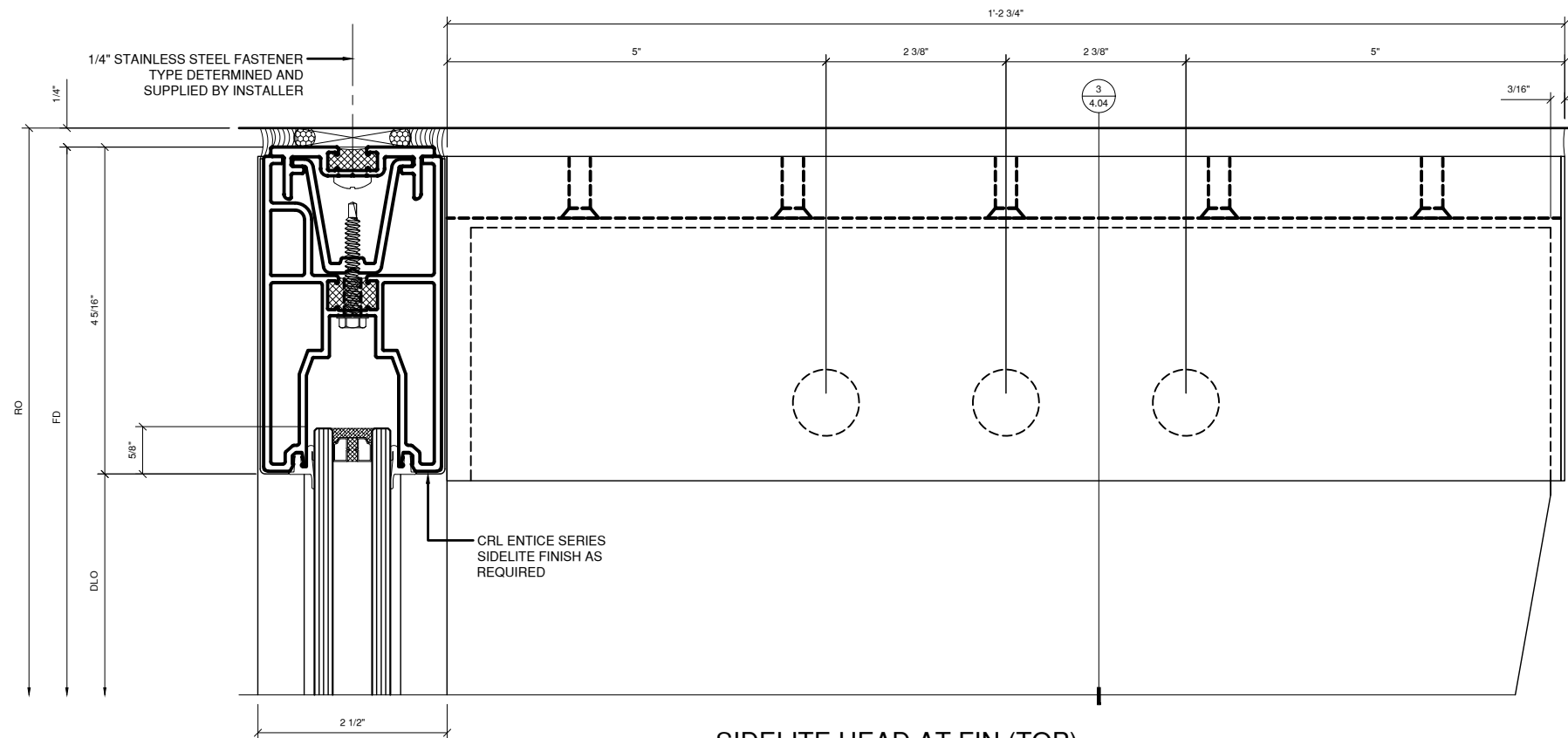
2503 E. Vernon Avenue, Los Angeles, CA 90058-1897
PH (800)-421-6144 FX: 800-587-7501 www.crlaurence.com

Description:
ENTICE SERIES
ENTRANCE SYSTEM
CLAD IN STAINLESS
STEEL OR BRASS

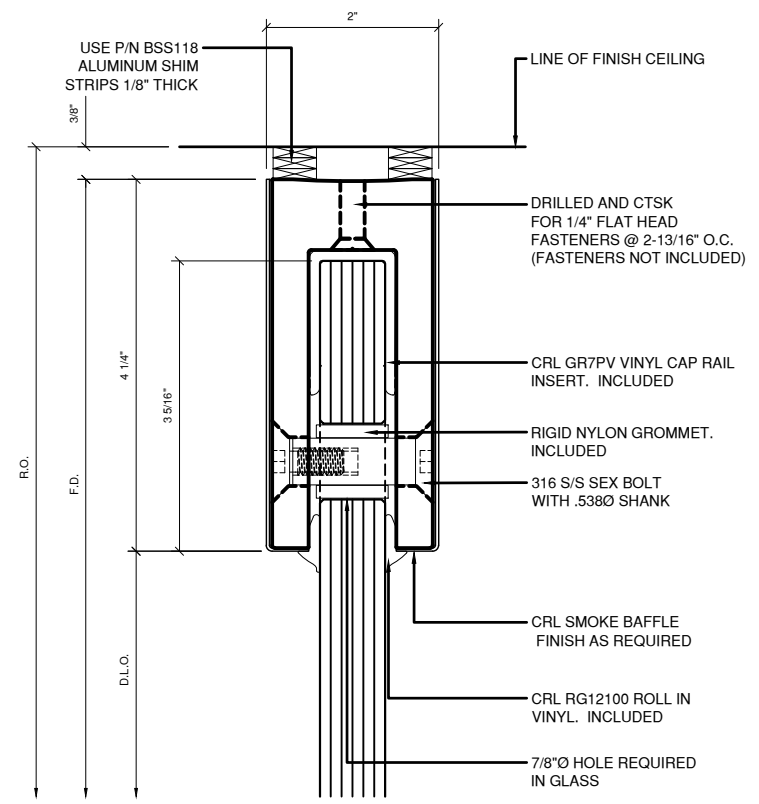
Drawn By: RPD
Date: 01/28/20
Scale: AS NOTED
File Name:
Entice Entrance System BS, PS, PB, SB.dwg

Sheet

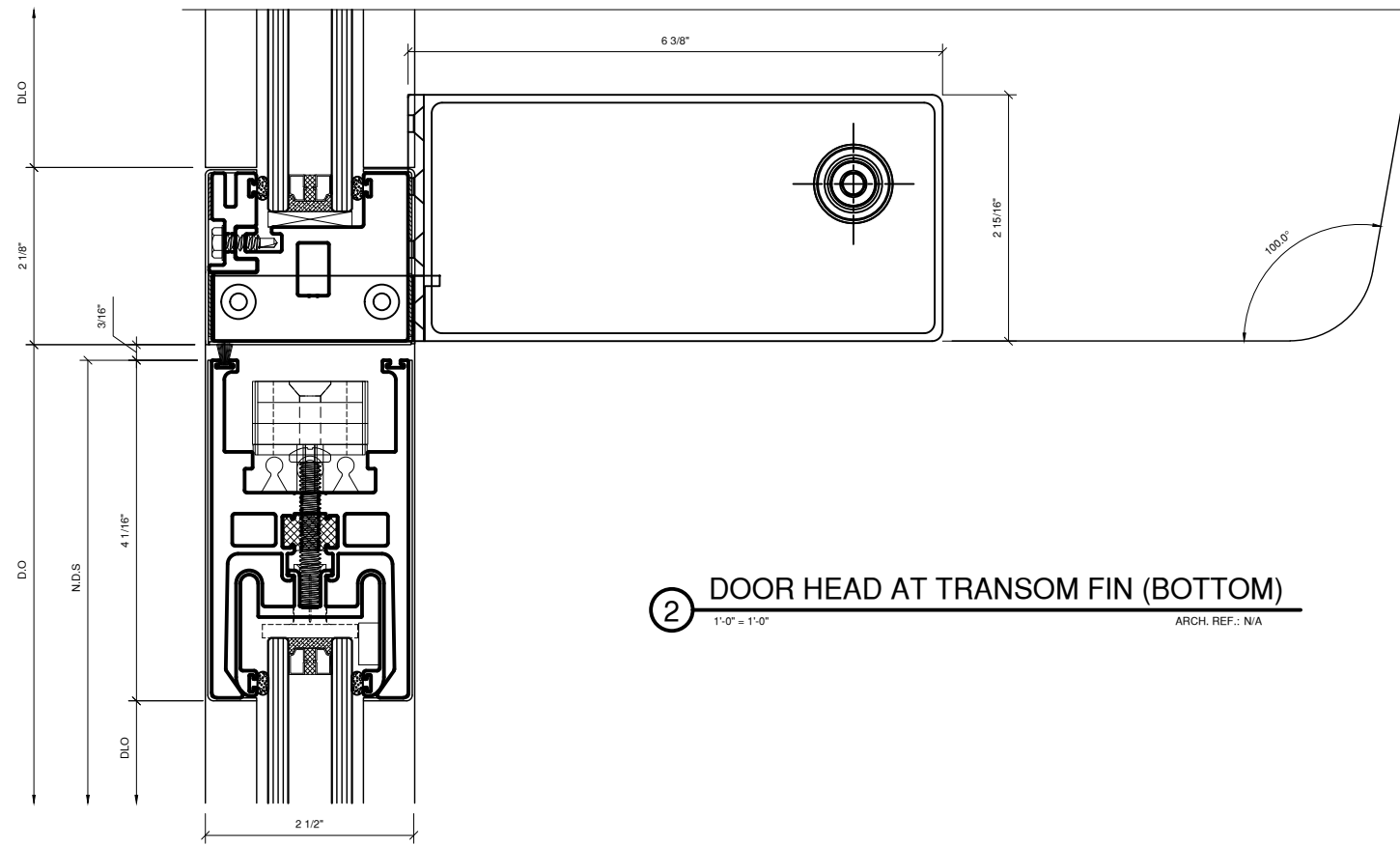
4.03



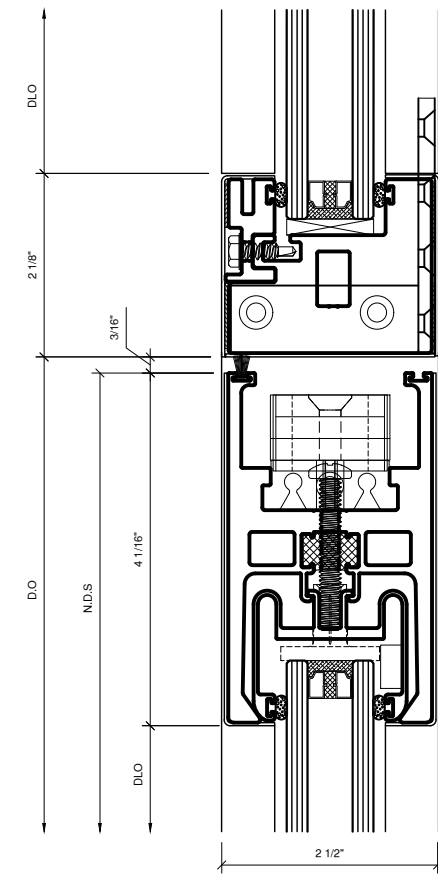
1 SIDELITE HEAD AT FIN (TOP)
 1'-0" = 1'-0" ARCH. REF.: N/A



3 SUPPORT FIN TOP MOUNT
 1'-0" = 1'-0" ARCH. REF.: N/A



2 DOOR HEAD AT TRANSOM FIN (BOTTOM)
 1'-0" = 1'-0" ARCH. REF.: N/A



4 DOOR HEAD AT TRANSOM / BRACKET (BOTTOM)
 1'-0" = 1'-0" ARCH. REF.: N/A

Revisions By:

CRL

2503 E. Vernon Avenue, Los Angeles, CA 90058-1897
 PH (800)-421-6144 FX: 800-387-7501 www.crlfire.com

Description:
 ENTICE SERIES
 ENTRANCE SYSTEM
 CLAD IN STAINLESS
 STEEL OR BRASS

Drawn By: RPD
 Date: 01/28/20
 Scale: AS NOTED
 File Name:
 Entice Entrance System BS, PS, PB, SB.dwg

Sheet

4.04

Revisions By:

CRL

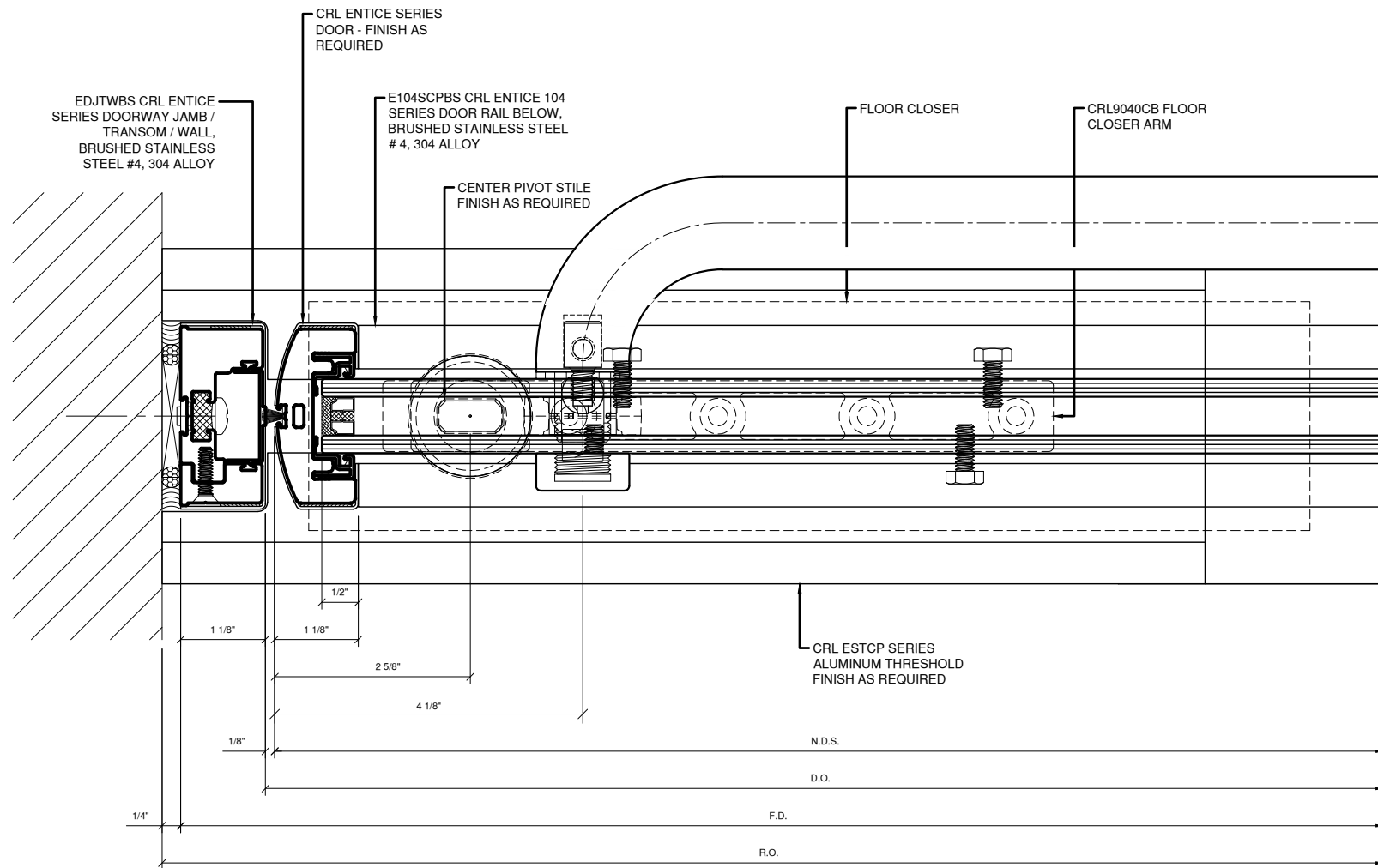
2503 E. Vernon Avenue, Los Angeles, CA 90058-1897
PH (800)-421-6144 FX: 800-587-7501 www.crlaurence.com

Description:
ENTICE SERIES
ENTRANCE SYSTEM
CLAD IN STAINLESS
STEEL OR BRASS

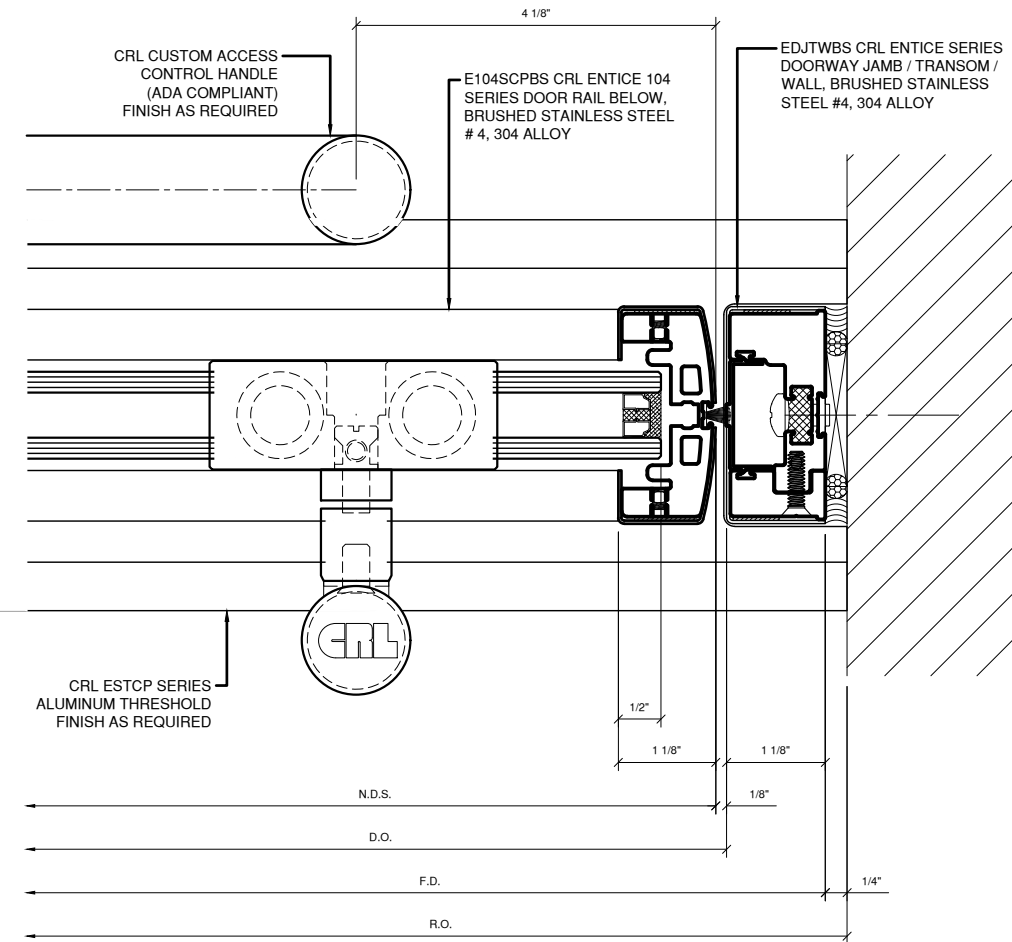
Drawn By: RPD
Date: 01/28/20
Scale: AS NOTED
File Name:
Entice Entrance System BS, PS, PB, SB.dwg

Sheet

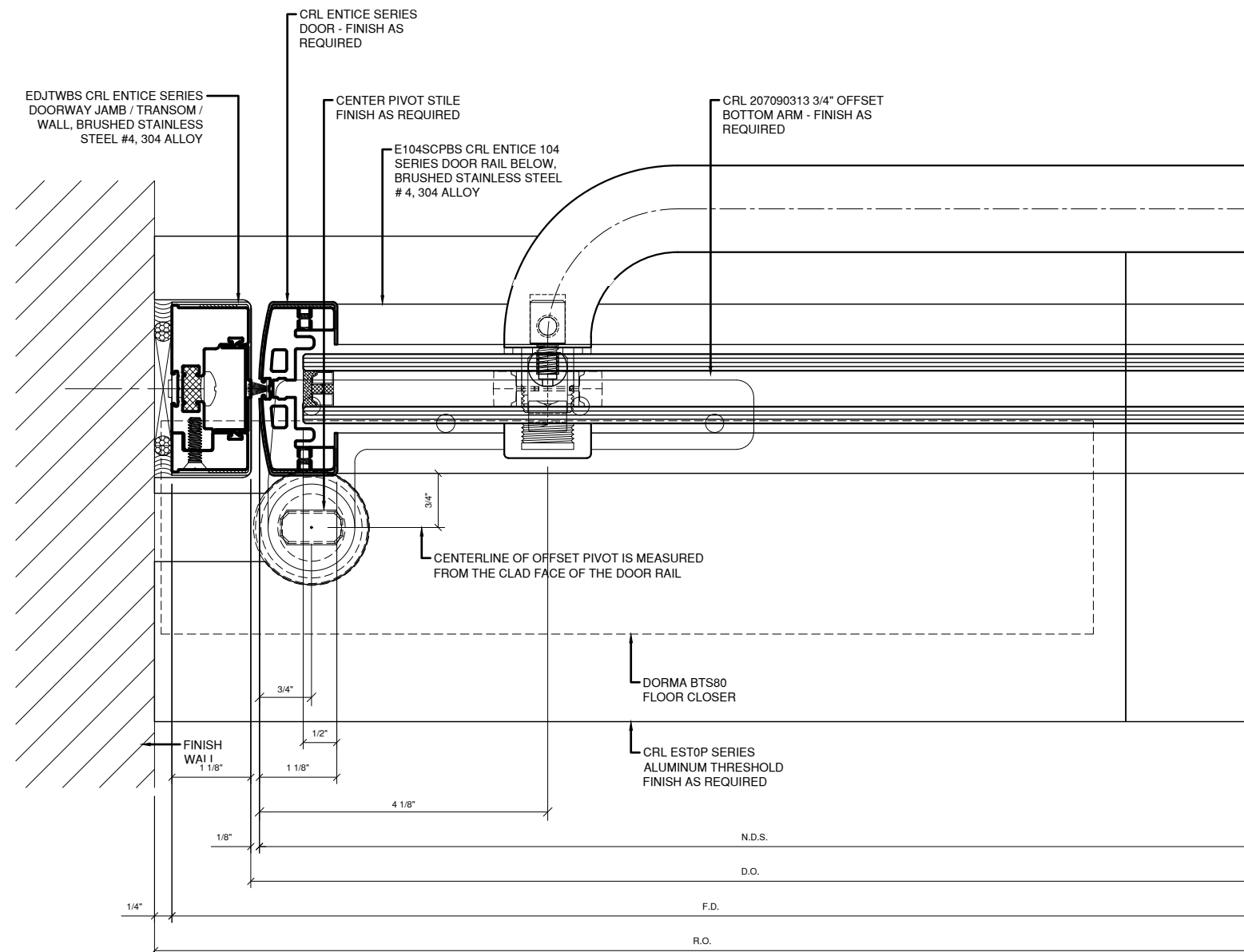
4.05



1 INTERMEDIATE VERTICAL
1'-0" = 1'-0" ARCH. REF.: N/A



2 DOOR JAMB AT WALL
1'-0" = 1'-0" ARCH. REF.: N/A



1 DOOR JAMB AT WALL
1'-0" = 1'-0" ARCH. REF.: N/A

Revisions By:

CRL

2503 E. Vernon Avenue, Los Angeles, CA 90058-1897
PH (800)-421-6144 FX: 800-587-7501 www.crlaurence.com

Description:
ENTICE SERIES
ENTRANCE SYSTEM
CLAD IN STAINLESS
STEEL OR BRASS

Drawn By: RPD
Date: 01/28/20
Scale: AS NOTED
File Name:
Entice Entrance System BS, PS, PB, SB.dwg
Sheet

4.06