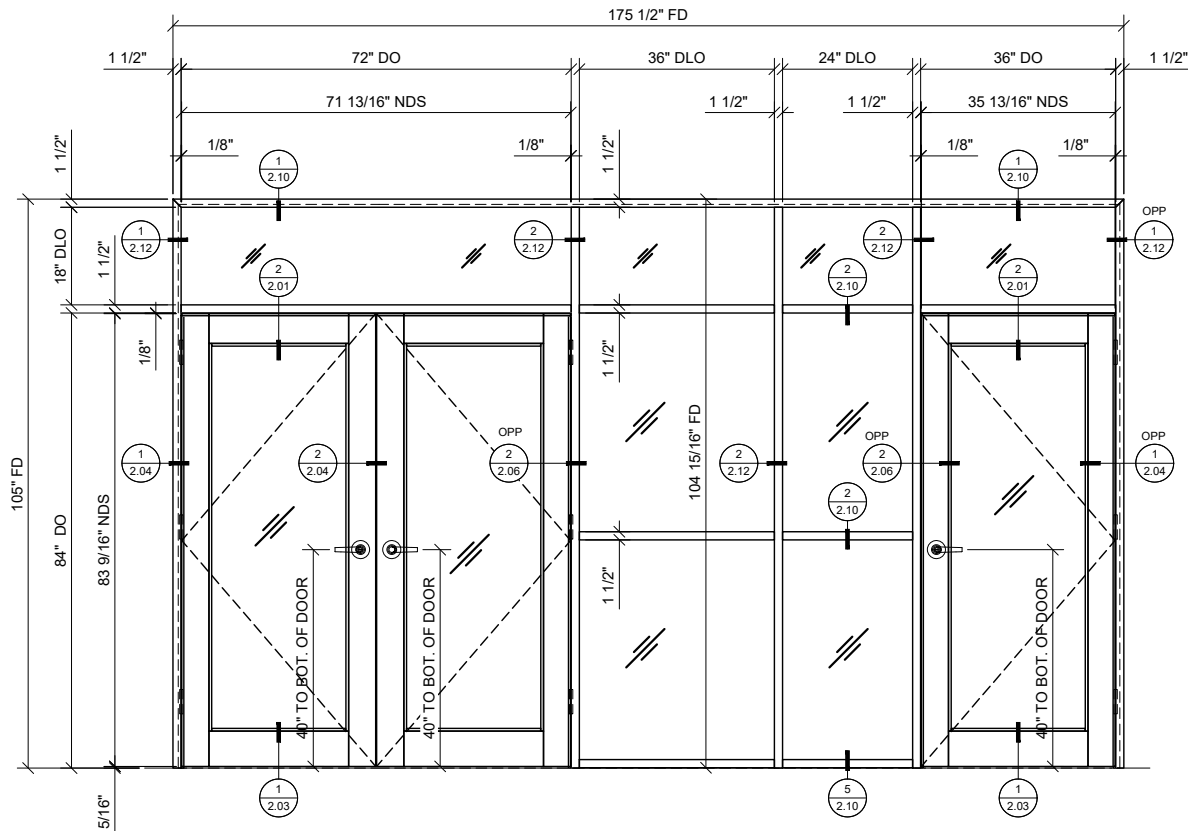


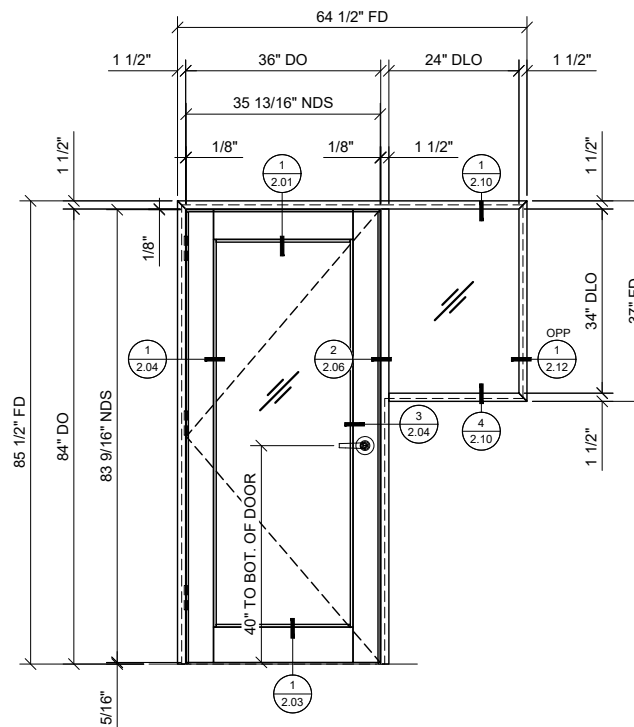


**SERIES 487 OFFICE PARTITION SYSTEM - 1-1/2" TRIM
WITH SERIES 550 WIDE STILE DOORS**

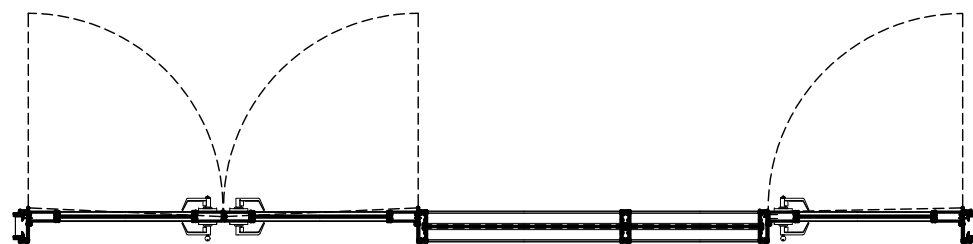
Revisions By:



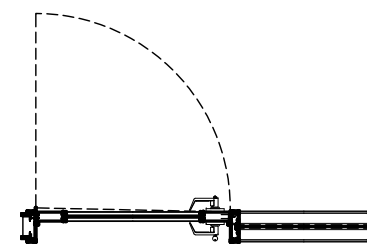
1 ELEVATION: ALUMINUM DOORS WITH FULL HEIGHT SIDELITES AND TRANSOMS
3/4" = 1'-0" ARCH. REF.: N/A



2 ELEVATION: ALUMINUM DOOR WITH ABOVE FLOOR SIDELITE
3/4" = 1'-0" ARCH. REF.: N/A



1A PLAN VIEW
3/4" = 1'-0" ARCH. REF.: N/A



2A PLAN VIEW
3/4" = 1'-0" ARCH. REF.: N/A

- OPTIONAL SERIES 250 NARROW OR 400 MEDIUM STILE DOORS
- 10" A.D.A. COMPLIANT BOTTOM RAIL AVAILABLE
- SYSTEM DESIGNED TO WRAP 4-7/8" (124 MM) WALLS
- DESIGNED FOR TOP LOAD GASKETS
- 1-1/2" (38.1 MM) FACE TRIM
- SCREW SPLINE OR CLIP JOINERY
- STANDARD FINISHES - CLEAR, BRONZE AND BLACK ANODIZED
- COMPLETE SINGLE AND DOUBLE DOOR KITS AVAILABLE IN SIX CONFIGURATIONS
- AVAILABLE FOR 1/4", 3/8", 1/2", AND 9/16" (6, 10, 12, AND 14 MM) GLAZING
- U.S. ALUMINUM DOORS, GLASS DOORS, AND FLUSH WOOD DOORS ARE AVAILABLE
- OPTIONAL DOOR HARDWARE:
 - PANIC DEVICES
 - LEVER LOCKS
 - MORTISE LEVER LOCKS
 - SURFACE MOUNTED DOOR CLOSERS
 - ELECTRIC STRIKES
- CUSTOM PAINT FINISHES UPON REQUEST

CRL-US ALUMINUM SERIES 487 OFFICE PARTITION SYSTEM IS COMPATIBLE WITH MOST GLASS USED FOR INTERIOR APPLICATIONS

USE THE FOLLOWING GASKET CHART FOR DIFFERENT GLASS THICKNESSES:

- 1/4" (6MM) GLASS - USE GASKETS NP225 + NP225 AVAILABLE IN VINYL AND SILICONE
- 3/8" (10MM) GLASS - USE GASKETS NP238 + NP238
- 1/2" (12MM) GLASS - USE GASKETS NP238 + NP563
- 9/16" (14MM) GLASS - USE GASKETS NP563 + NP563

CRL - US ALUMINUM OFFICE PARTITION SYSTEM DOOR FRAME SIZE LIMITATIONS
NON-RATED

- SINGLE DOOR: 48" (1.22M) X 108" (2.74M)
- DOUBLE DOOR: 72" (1.83M) X 108" (2.74M)
- 96" (2.44M) X 96" (2.44M)

HINGE NOTE:

- DO HEIGHTS < 7'-0" RECEIVE 3 HINGES / JAMB
- DO HEIGHTS > 7'-0" RECEIVE 4 HINGES / JAMB

STANDARD ABBREVIATIONS

- ADA = AMERICAN DISABILITIES ACT
- BOT. = BOTTOM
- DLO = DAYLITE OPENING
- DO = DOOR OPENING
- FD = FRAME DIMENSION
- INT. = INTERIOR
- NDS = NET DOOR SIZE
- OPP = OPPOSITE
- OPS = OFFICE PARTITION SYSTEM
- RO = ROUGH OPENING
- STRD = STANDARD



2503 E. Vernon Avenue, Los Angeles, CA 90058-1897
PH (800)-421-6144 FX: 800-587-7501 www.crlusa.com

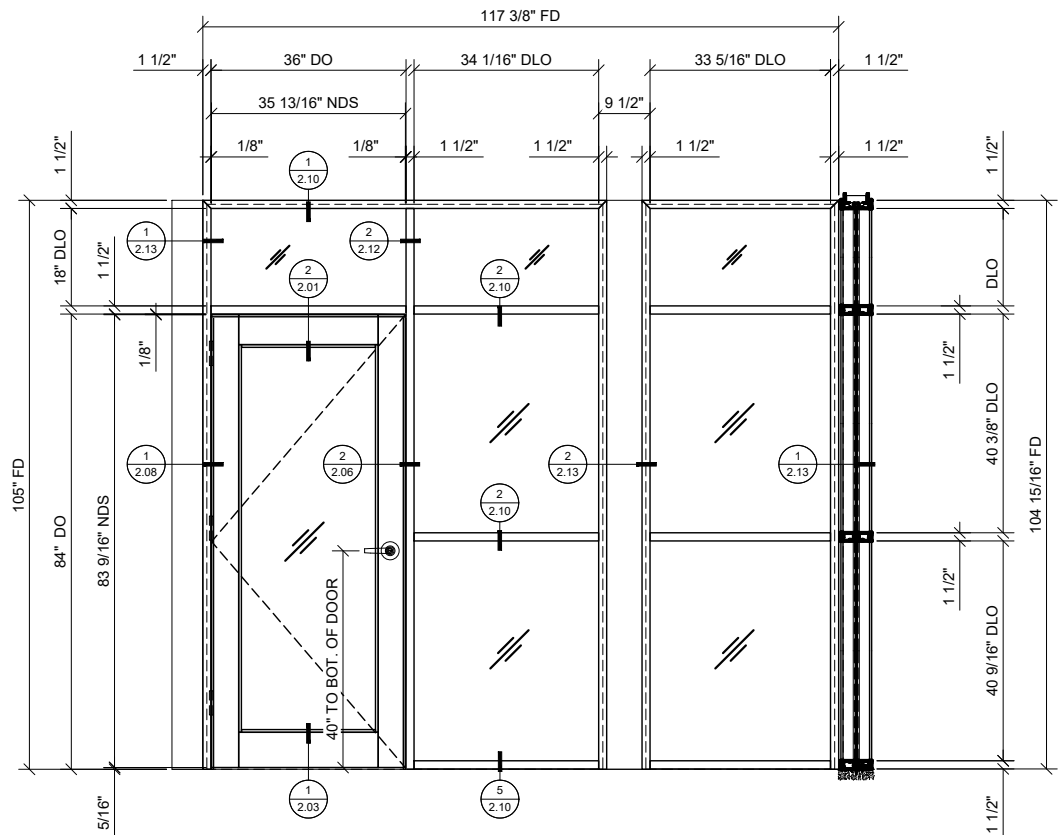
Description:
CRL 487-1.5
OFFICE PARTITION SYSTEM

Drawn By: RPD
Date: 02/09/18
Scale: AS NOTED
File Name: CRL 487-1.5 Office Partition System.dwg

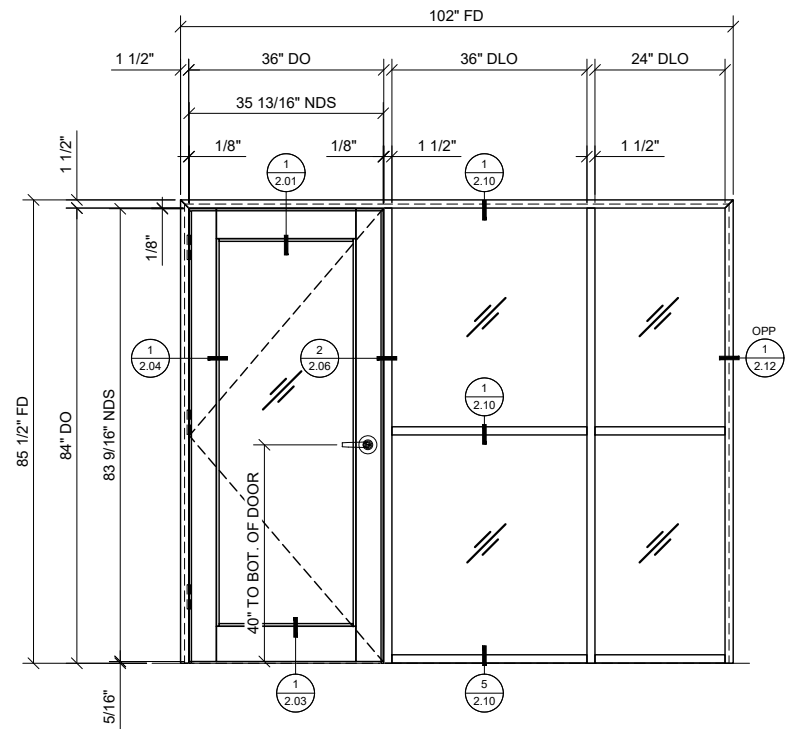


SERIES 487 OFFICE PARTITION SYSTEM - 1-1/2" TRIM
WITH SERIES 550 WIDE STILE SINGLE DOORS

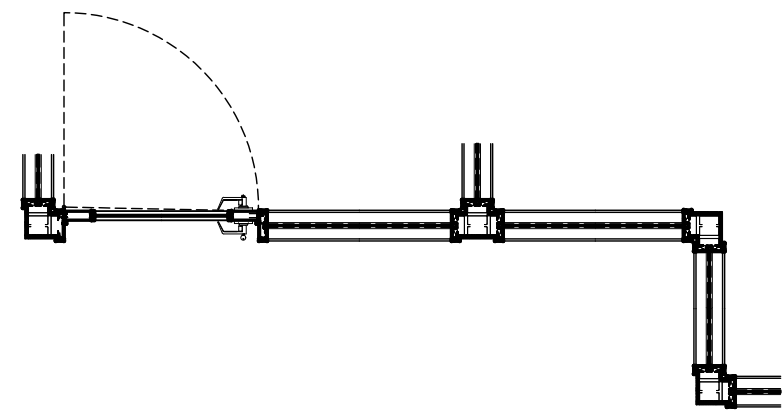
Revisions By:



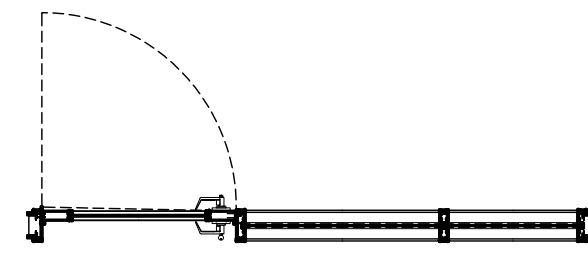
1 ELEVATION: ALUMINUM DOOR WITH FULL HEIGHT SIDELITES AND TRANSOMS
3/4" = 1'-0" ARCH. REF.: N/A



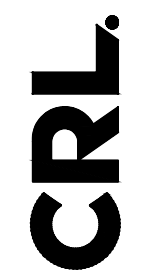
2 ELEVATION: ALUMINUM DOOR WITH FULL HEIGHT SIDELITES
3/4" = 1'-0" ARCH. REF.: N/A



1A PLAN VIEW
3/4" = 1'-0" ARCH. REF.: N/A



2A PLAN VIEW
3/4" = 1'-0" ARCH. REF.: N/A



2503 E. Vernon Avenue, Los Angeles, CA 90058-1897
 PH (800)-421-6144 FX: 800-587-7501 www.crlaurence.com

Discription:
 CRL 487-1.5
 OFFICE PARTITION SYSTEM

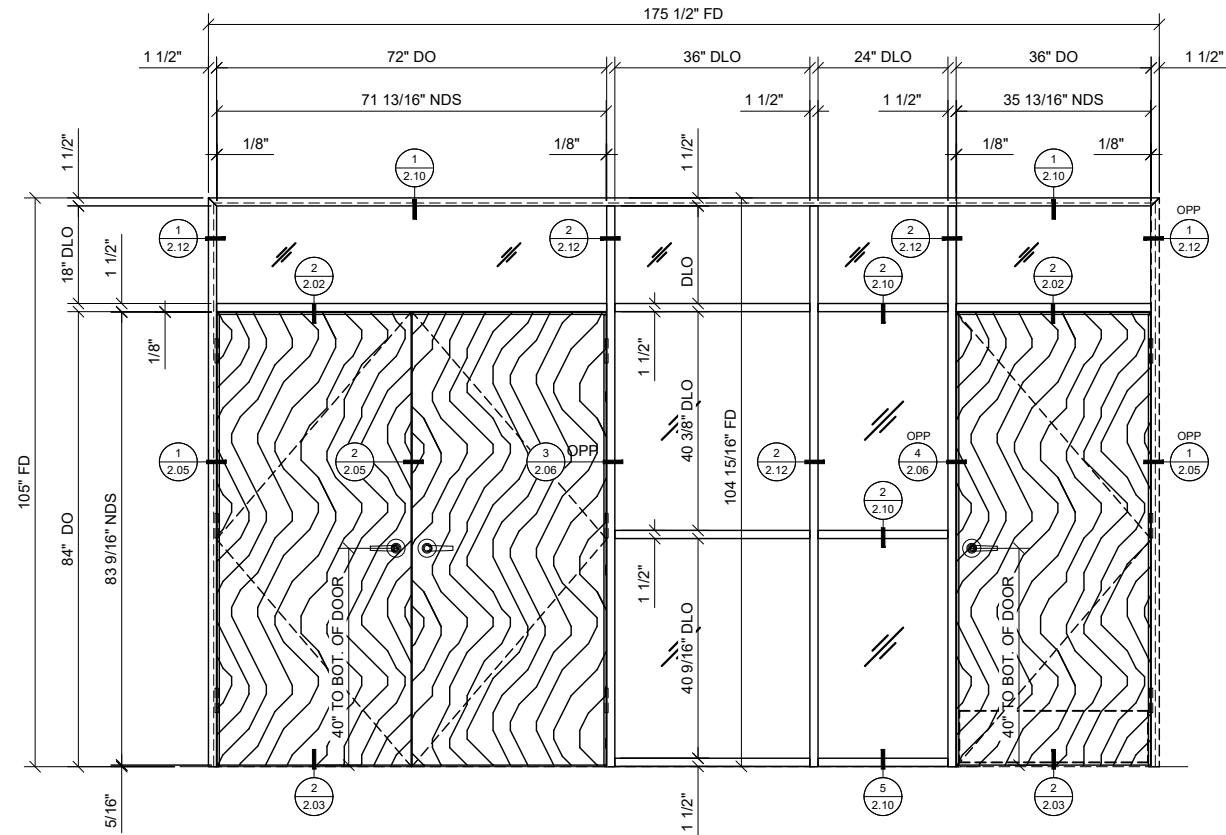
Drawn By: RPD
 Date: 02/09/18
 Scale: AS NOTED
 File Name: CRL 487-1.5 Office Partition System.dwg

Sheet

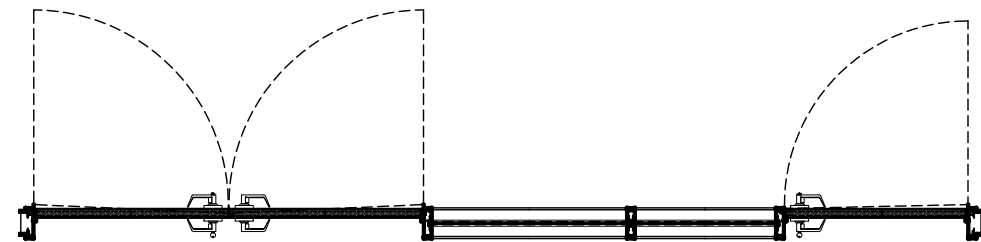


**SERIES 487 OFFICE PARTITION SYSTEM - 1-1/2" TRIM
WITH WOOD FLUSH DOORS**

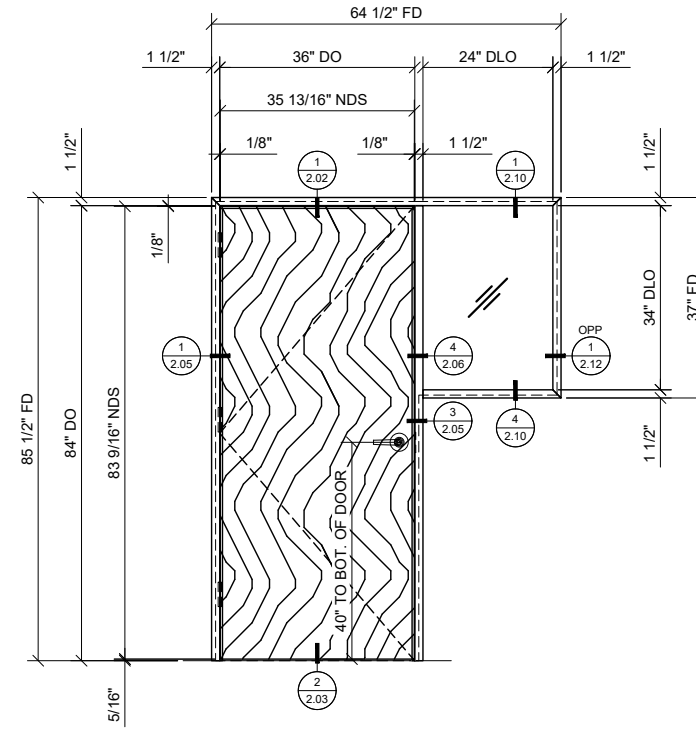
Revisions By:



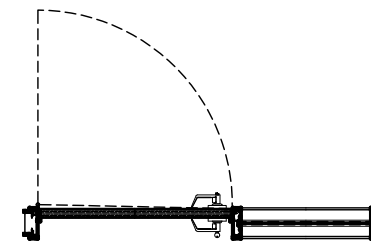
1 ELEVATION: WOOD DOORS WITH FULL HEIGHT SIDELITES AND TRANSOMS
3/4" = 1'-0" ARCH. REF.: N/A



1A PLAN VIEW
3/4" = 1'-0" ARCH. REF.: N/A



2 ELEVATION: WOOD DOOR WITH ABOVE FLOOR SIDELITE
3/4" = 1'-0" ARCH. REF.: N/A



2A PLAN VIEW
3/4" = 1'-0" ARCH. REF.: N/A



2503 E. Vernon Avenue, Los Angeles, CA 90058-1897
PH (800)-421-6144 FX: 800-587-7501 www.crlusa.com

Discription:
CRL 487-1.5
OFFICE PARTITION SYSTEM

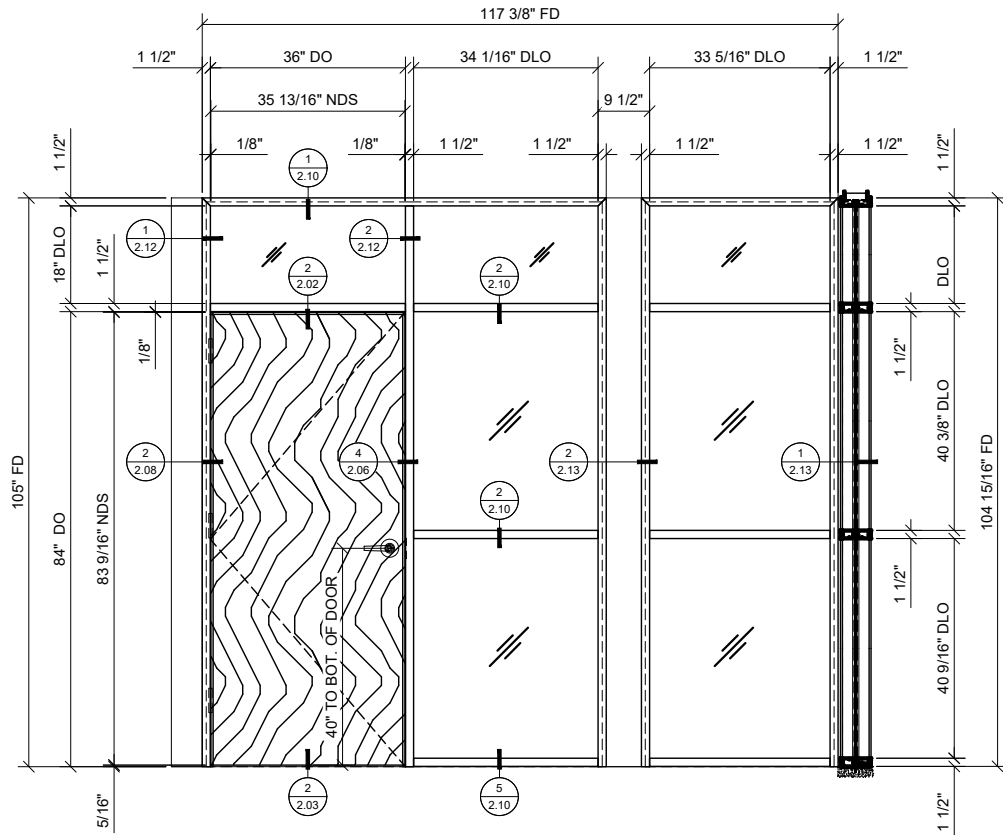
Drawn By: RPD
Date: 02/09/18
Scale: AS NOTED
File Name: CRL 487-1.5 Office Partition System.dwg

Sheet

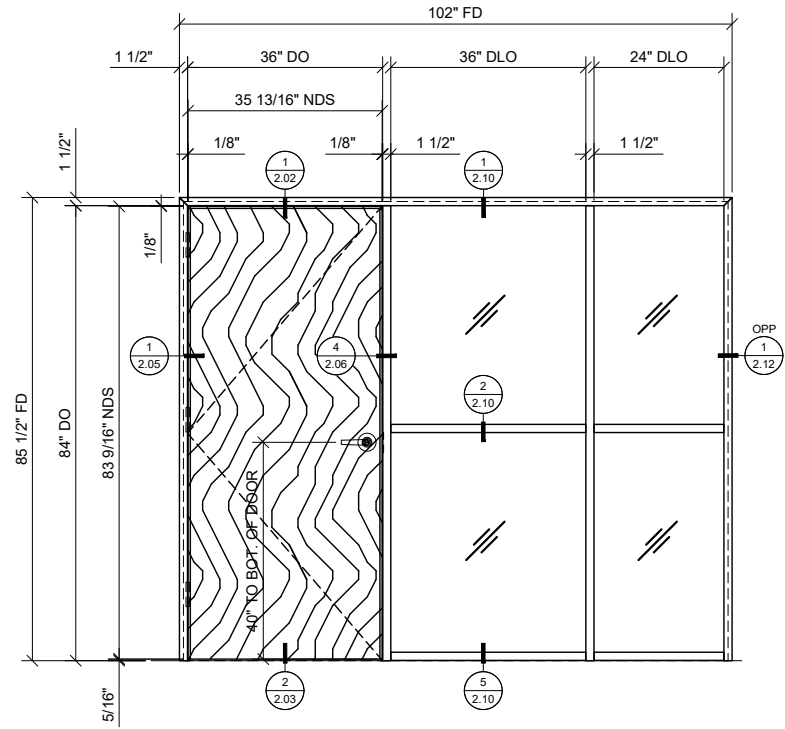


SERIES 487 OFFICE PARTITION SYSTEM - 1-1/2" TRIM WITH WOOD FLUSH DOOR

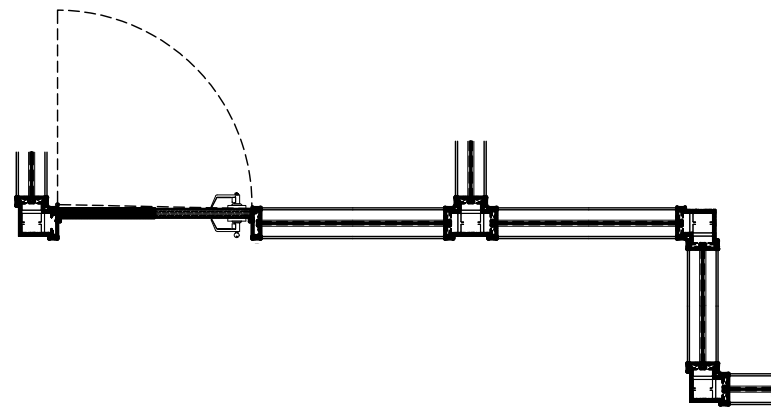
Revisions By:



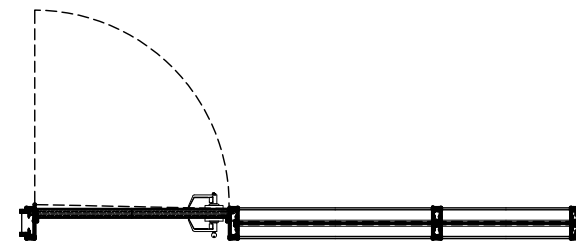
1 ELEVATION: WOOD DOOR WITH FULL HEIGHT SIDELITES AND TRANSOMS
3/4" = 1'-0" ARCH. REF.: N/A



2 ELEVATION: WOOD DOOR WITH FULL HEIGHT SIDELITES
3/4" = 1'-0" ARCH. REF.: N/A



1A PLAN VIEW
3/4" = 1'-0" ARCH. REF.: N/A



2A PLAN VIEW
3/4" = 1'-0" ARCH. REF.: N/A



2503 E. Vernon Avenue, Los Angeles, CA 90058-1897
PH (800)-421-6144 FX: 800-587-7501 www.crlusa.com

Discription:
CRL 487-1.5
OFFICE PARTITION SYSTEM

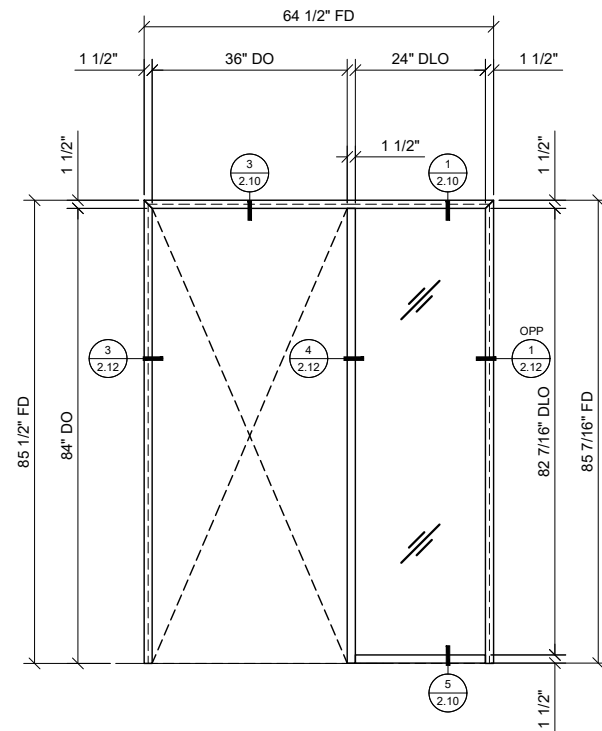
Drawn By: RPD
Date: 02/09/18
Scale: AS NOTED
File Name: CRL 487-1.5 Office Partition System.dwg

Sheet

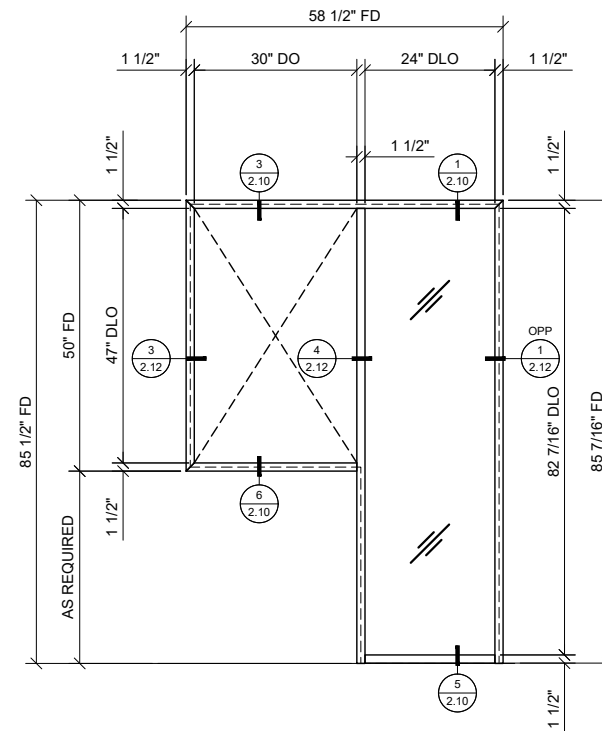
1.04



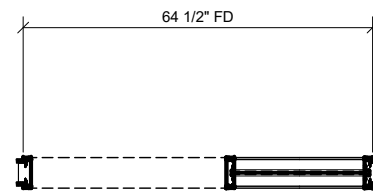
SERIES 487 OFFICE PARTITION SYSTEM - 1-1/2" TRIM WITH CASSED OPENINGS



1 ELEVATION: SINGLE CASSED OPENING WITH FULL HEIGHT SIDELITE
3/4" = 1'-0" ARCH. REF.: N/A



2 ELEVATION: SINGLE CASSED OPENING ABOVE FLOOR WITH FULL HEIGHT SIDELITE
3/4" = 1'-0" ARCH. REF.: N/A



1A PLAN VIEW
3/4" = 1'-0" ARCH. REF.: N/A



2A PLAN VIEW
3/4" = 1'-0" ARCH. REF.: N/A

Revisions By:



2503 E. Vernon Avenue, Los Angeles, CA 90058-1897
PH (800)-421-6144 FX: 800-587-7501 www.crlusa.com

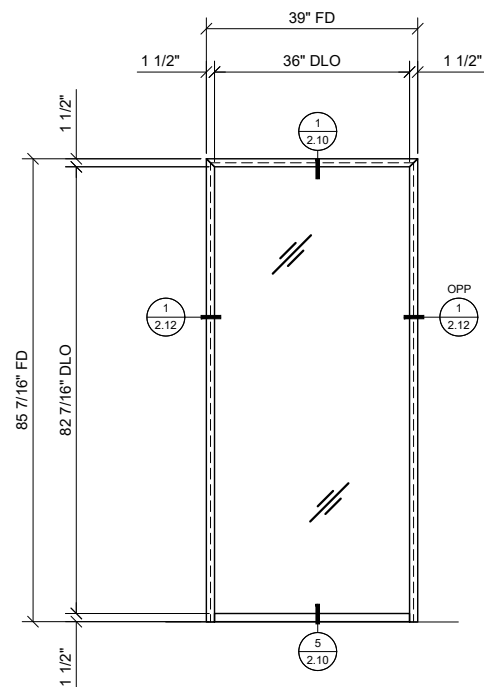
Discription:
CRL 487-1.5
OFFICE PARTITION SYSTEM

Drawn By: RPD
Date: 02/09/18
Scale: AS NOTED
File Name: CRL 487-1.5 Office Partition System.dwg
Sheet

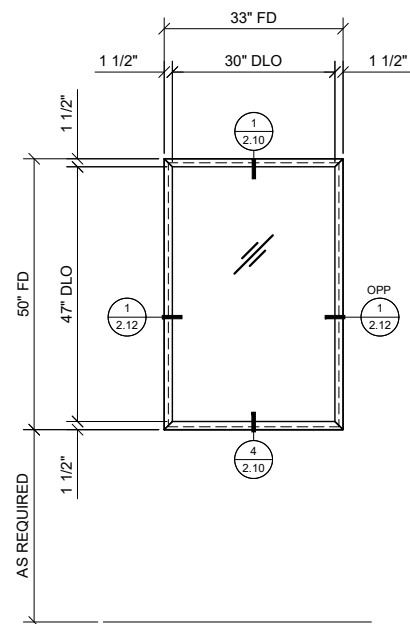


**SERIES 487 OFFICE PARTITION SYSTEM - 1-1/2" TRIM
WITH BORROWED LITES AND CASSED OPENINGS**

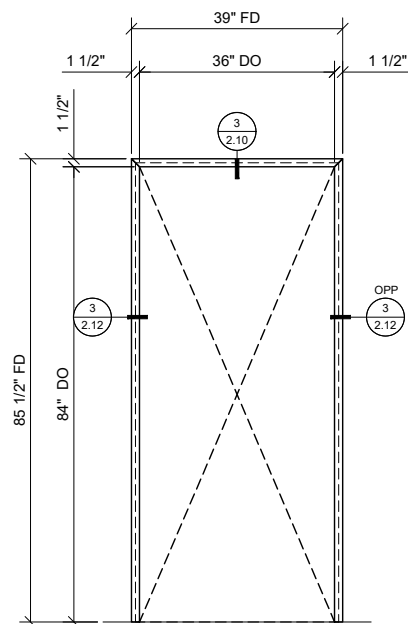
Revisions By:



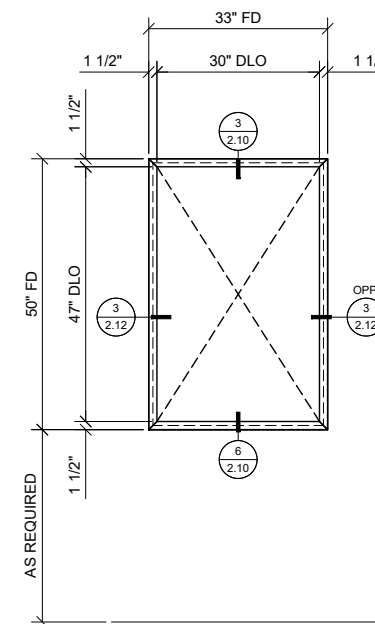
1 ELEVATION: BORROWED LITE TO FLOOR
3/4" = 1'-0" ARCH. REF.: N/A



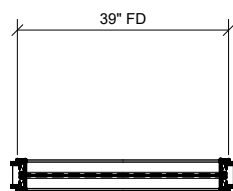
2 ELEVATION: BORROWED LITE ABOVE FLOOR
3/4" = 1'-0" ARCH. REF.: N/A



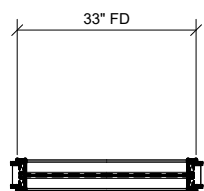
3 ELEVATION: SINGLE CASSED OPENING
3/4" = 1'-0" ARCH. REF.: N/A



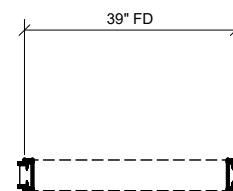
4 ELEVATION: SINGLE CASSED PASS-THRU
3/4" = 1'-0" ARCH. REF.: N/A



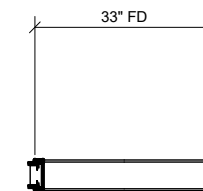
1A PLAN: BORROWED LITE TO FLOOR
3/4" = 1'-0" ARCH. REF.: N/A



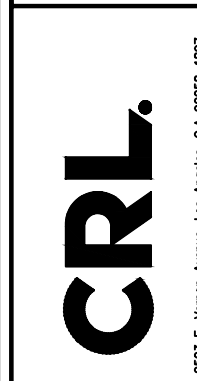
2A PLAN: BORROWED LITE ABOVE FLOOR
3/4" = 1'-0" ARCH. REF.: N/A



3A PLAN: SINGLE CASSED OPENING
3/4" = 1'-0" ARCH. REF.: N/A



4A PLAN: SINGLE CASSED PASS-THRU
3/4" = 1'-0" ARCH. REF.: N/A

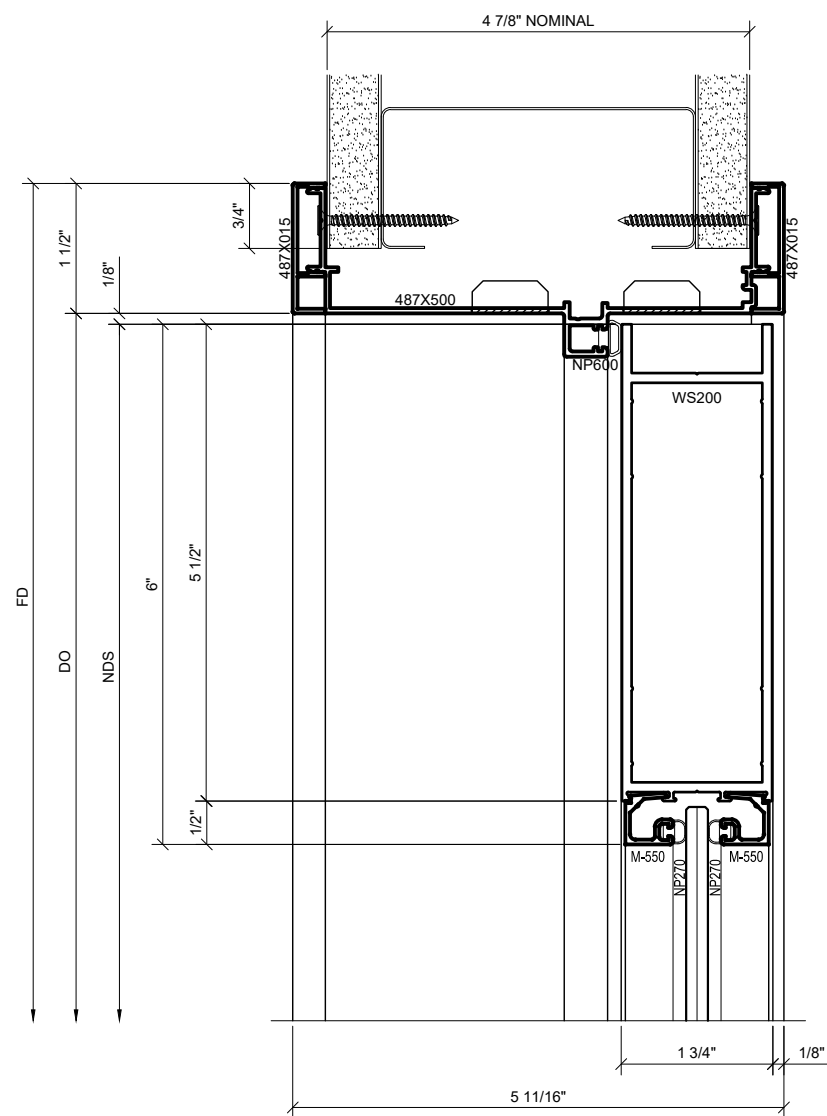


2503 E. Vernon Avenue, Los Angeles, CA 90058-1897
PH (800)-421-6144 FX: 800-587-7501 www.crlusa.com

Discription:
CRL 487-1.5
OFFICE PARTITION SYSTEM

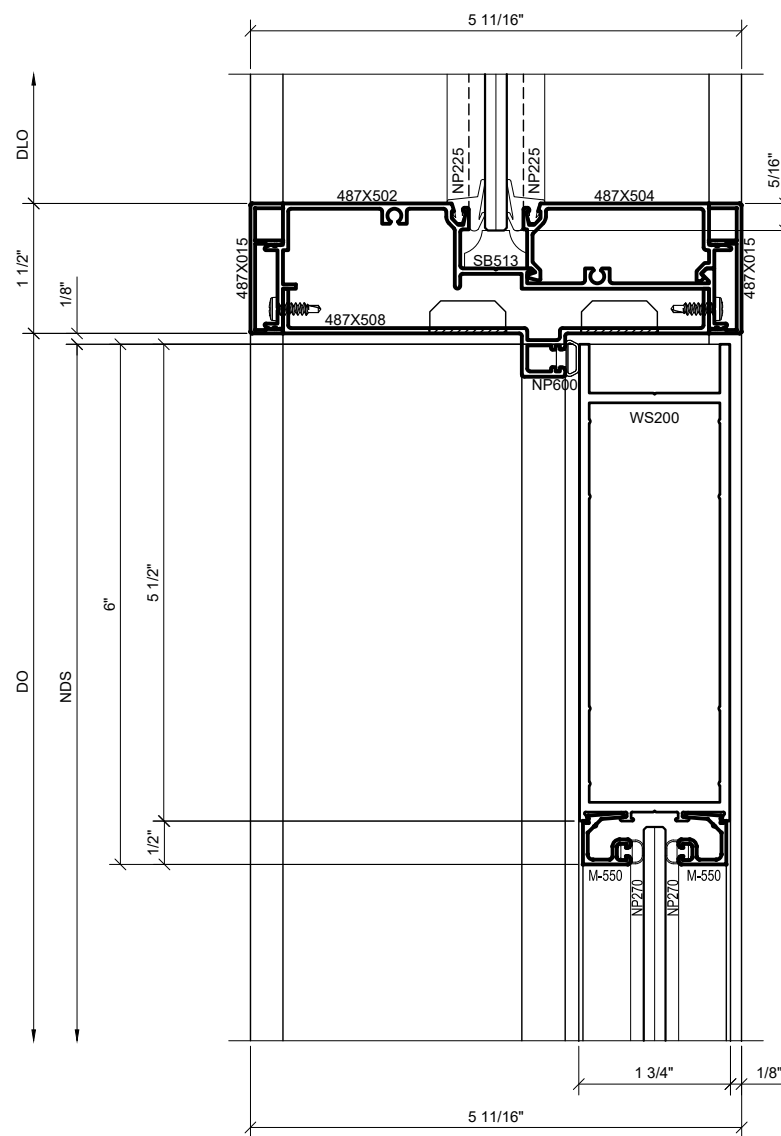
Drawn By: RPD
Date: 02/09/18
Scale: AS NOTED
File Name: CRL 487-1.5 Office Partition System.dwg

Sheet



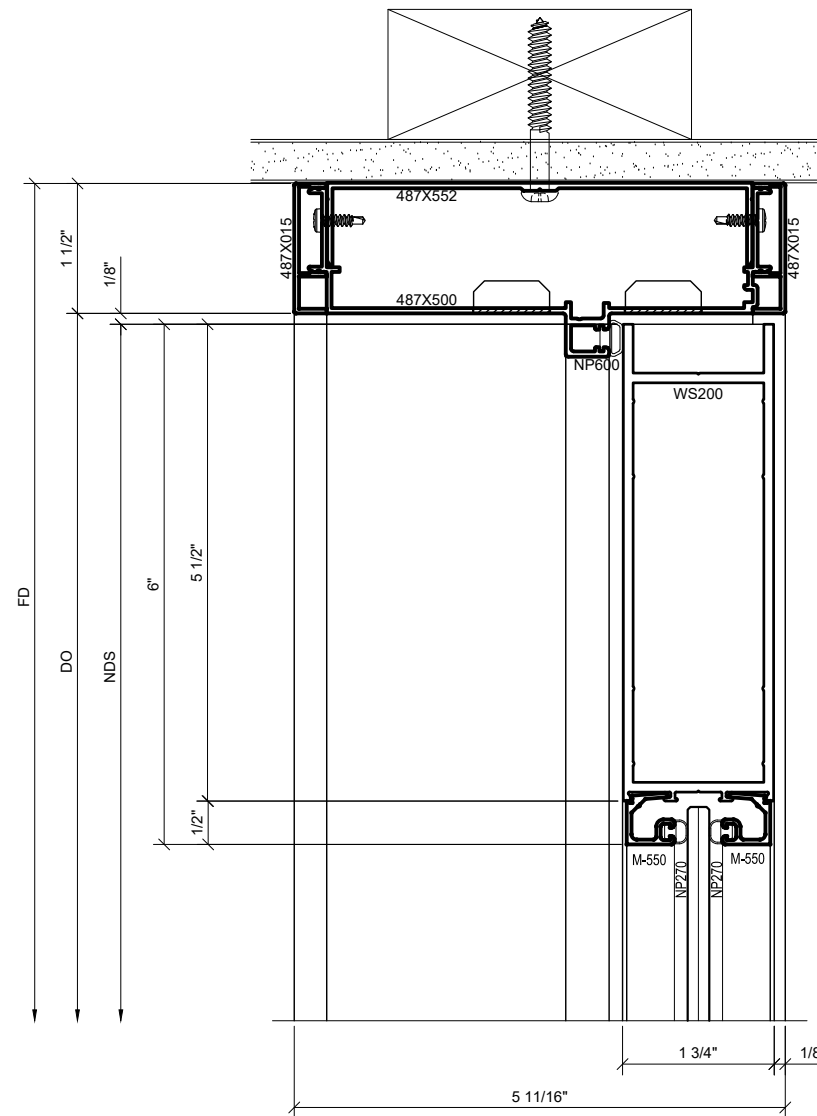
1 DOOR HEAD DETAIL WITH SERIES 550 WIDE STILE DOOR

1'-0" = 1'-0" ARCH. REF.: N/A



2 DOOR HEAD DETAIL AT TRANSOM WITH SERIES 550 WIDE STILE DOOR

1'-0" = 1'-0" ARCH. REF.: N/A



3 SURFACE MOUNTED DOOR HEAD DETAIL WITH SERIES 550 WIDE STILE DOOR

1'-0" = 1'-0" ARCH. REF.: N/A

Revisions By:

CRL.

2893 E. Vermont Avenue, Los Angeles, CA 90008-1887
PH (800)-621-6144 FX (800)-621-7201 www.crlusa.com

Discussions:

CRL 487-1.5
OFFICE PARTITION SYSTEM

Drawn By: RPD

Date: 02/09/18

Scale: AS NOTED

File Name:
CRL_487-1.5 Office Partition
System.dwg

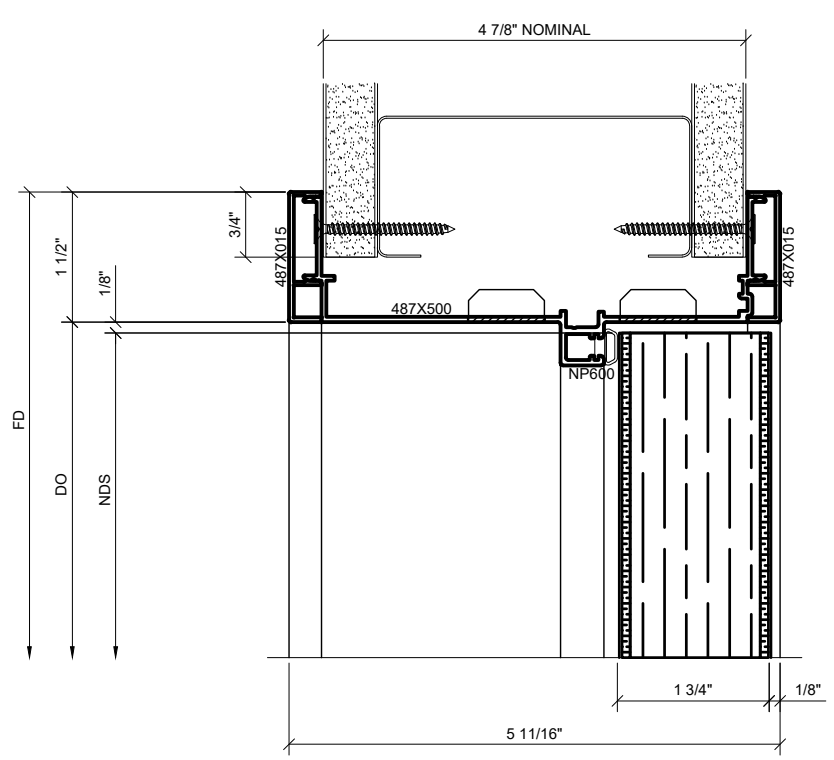
Sheet

2.01

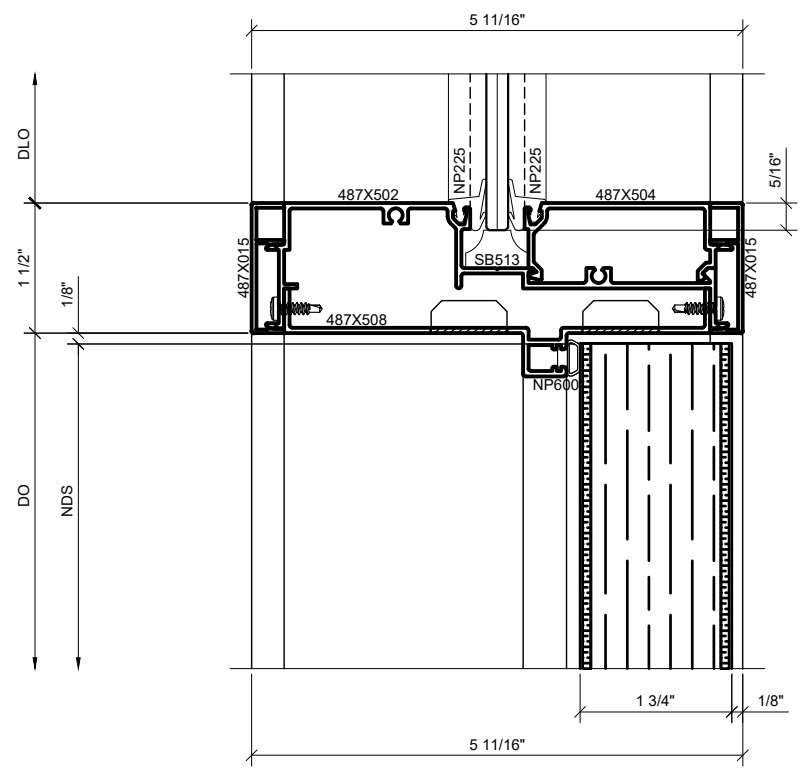
Revisions By:

CRL.

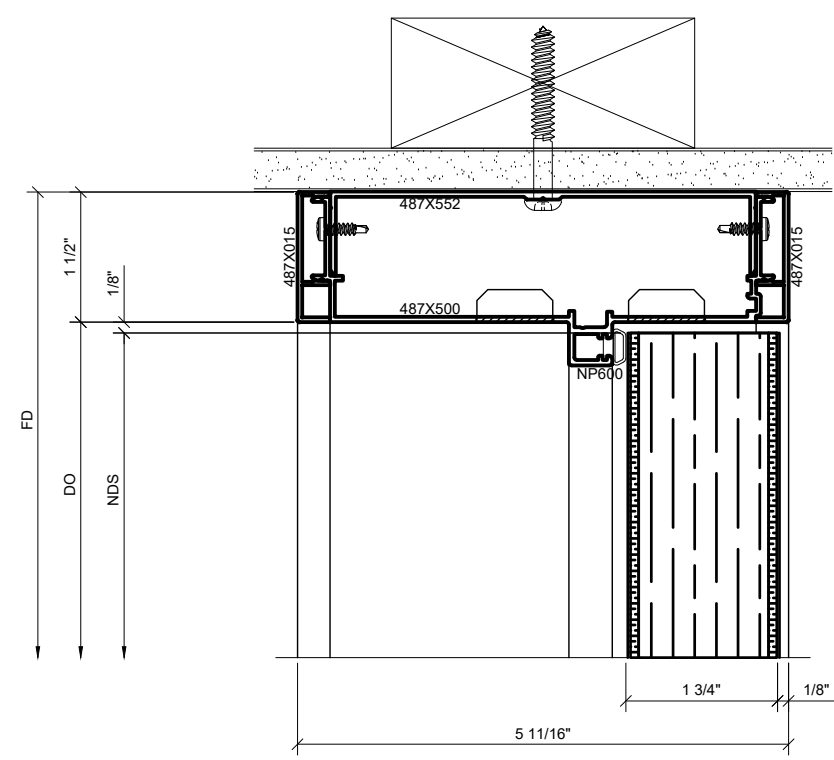
2800 E. Vermont Avenue, Los Angeles, CA 90008-1887
PH (800)-821-6144 FX (800)-827-7201 www.crlusa.com



1 DOOR HEAD DETAIL WITH WOOD FLUSH DOOR
1'-0" = 1'-0" ARCH. REF.: N/A



2 DOOR HEAD DETAIL AT TRANSOM WITH WOOD FLUSH DOOR
1'-0" = 1'-0" ARCH. REF.: N/A

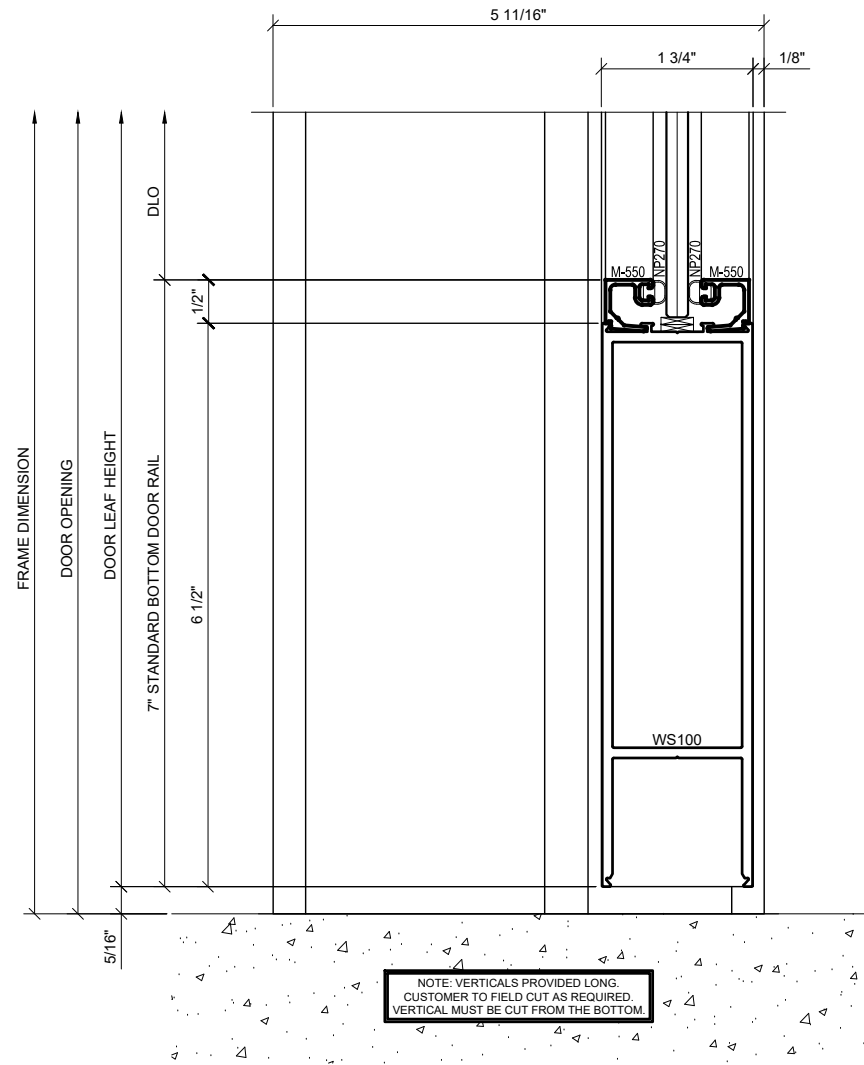


3 SURFACE MOUNTED DOOR HEAD DETAIL WITH WOOD FLUSH DOOR
1'-0" = 1'-0" ARCH. REF.: N/A

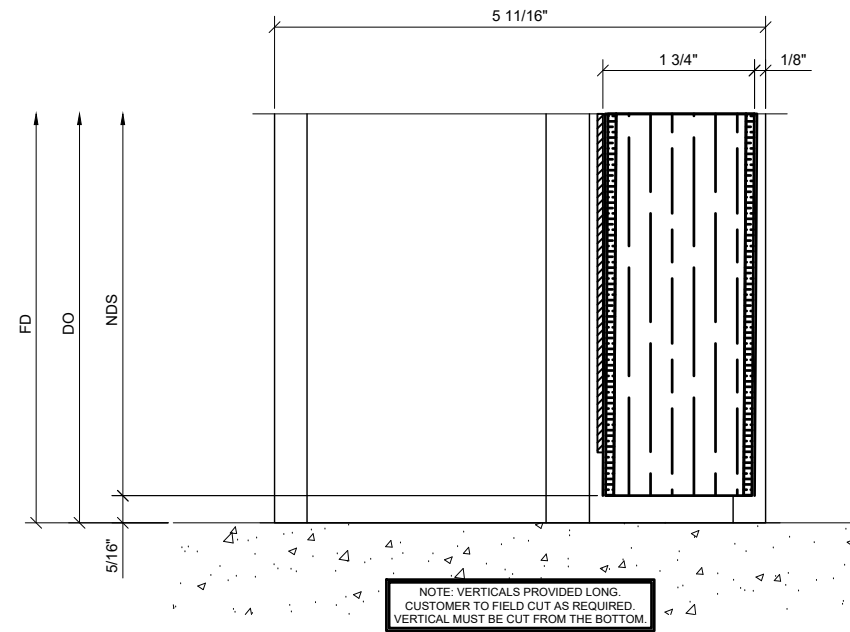
Discussions:
CRL 487-1.5
OFFICE PARTITION SYSTEM

Drawn By: RPD
Date: 02/09/18
Scale: AS NOTED
File Name: CRL_487-1.5 Office Partition System.dwg

Sheet
2.02



① DOOR SILL DETAIL WITH
SERIES 550 WIDE STILE DOOR
1'-0" = 1'-0" ARCH. REF.: N/A



② DOOR SILL DETAIL WITH
WOOD FLUSH DOOR
1'-0" = 1'-0" ARCH. REF.: N/A

Revisions By:

CRL.

2800 E. Vermont Avenue, Los Angeles, CA 90008-1887
PH (800)-821-6144 FX (800)-821-7201 www.crlusa.com

Discussions:
CRL 487-1.5
OFFICE PARTITION SYSTEM

Drawn By: RPD
Date: 02/09/18
Scale: AS NOTED

File Name:
CRL_487-1.5 Office Partition
System.dwg

Sheet

2.03

Revisions By:

CRL

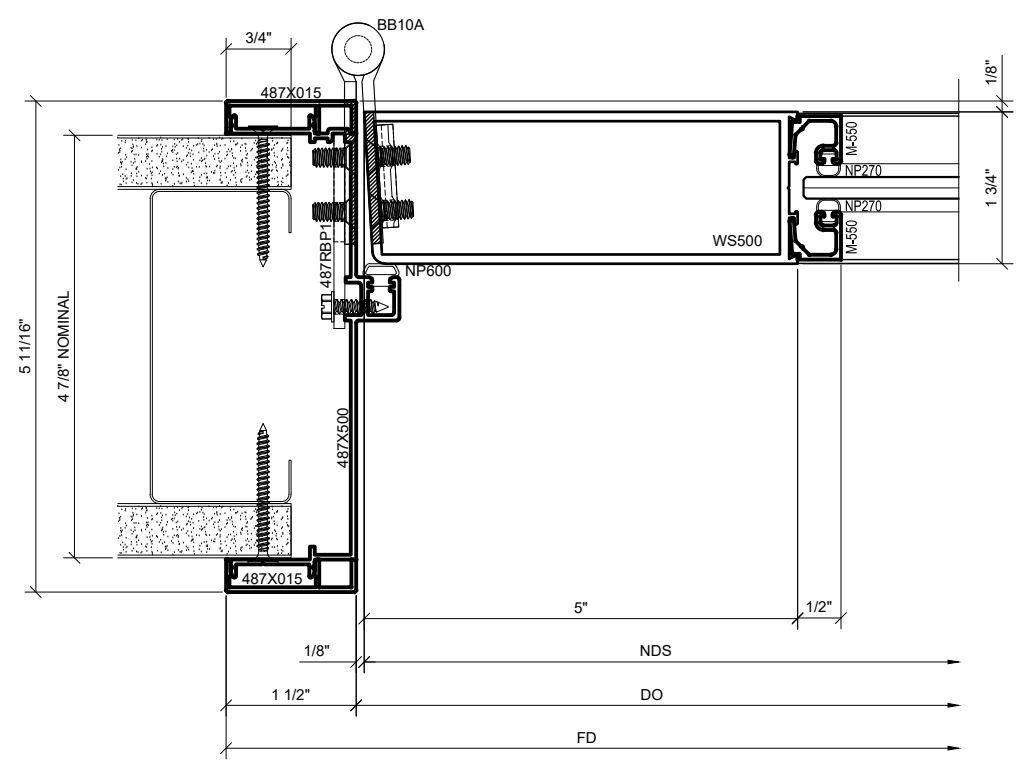
2893 E. Vermont Avenue, Los Angeles, CA 90008-1887
PH (800)-821-6144 FX (800)-821-7501 www.crlusa.com

Discussions:
CRL 487-1.5
OFFICE PARTITION SYSTEM

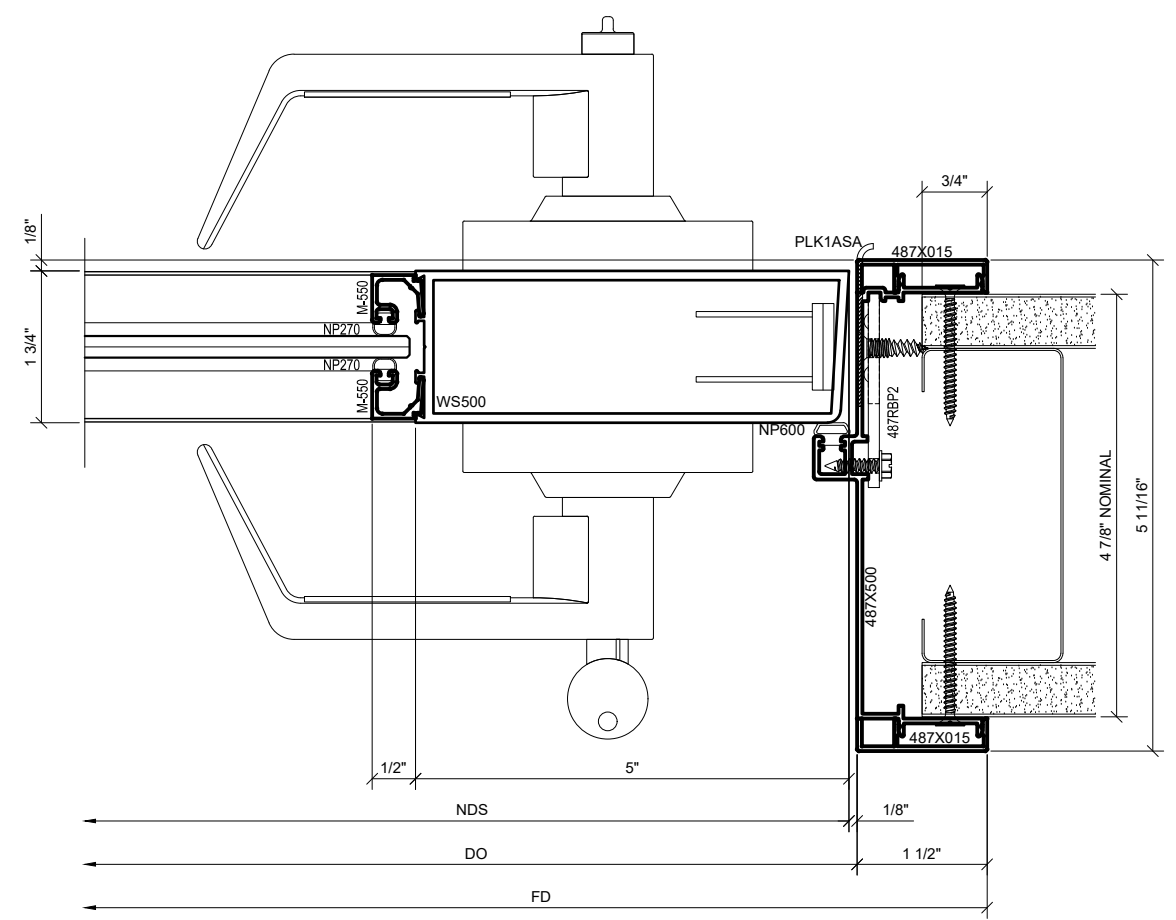
Drawn By: RPD
Date: 02/09/18
Scale: AS NOTED
File Name:
CRL_487-1.5 Office Partition
System.dwg

Sheet

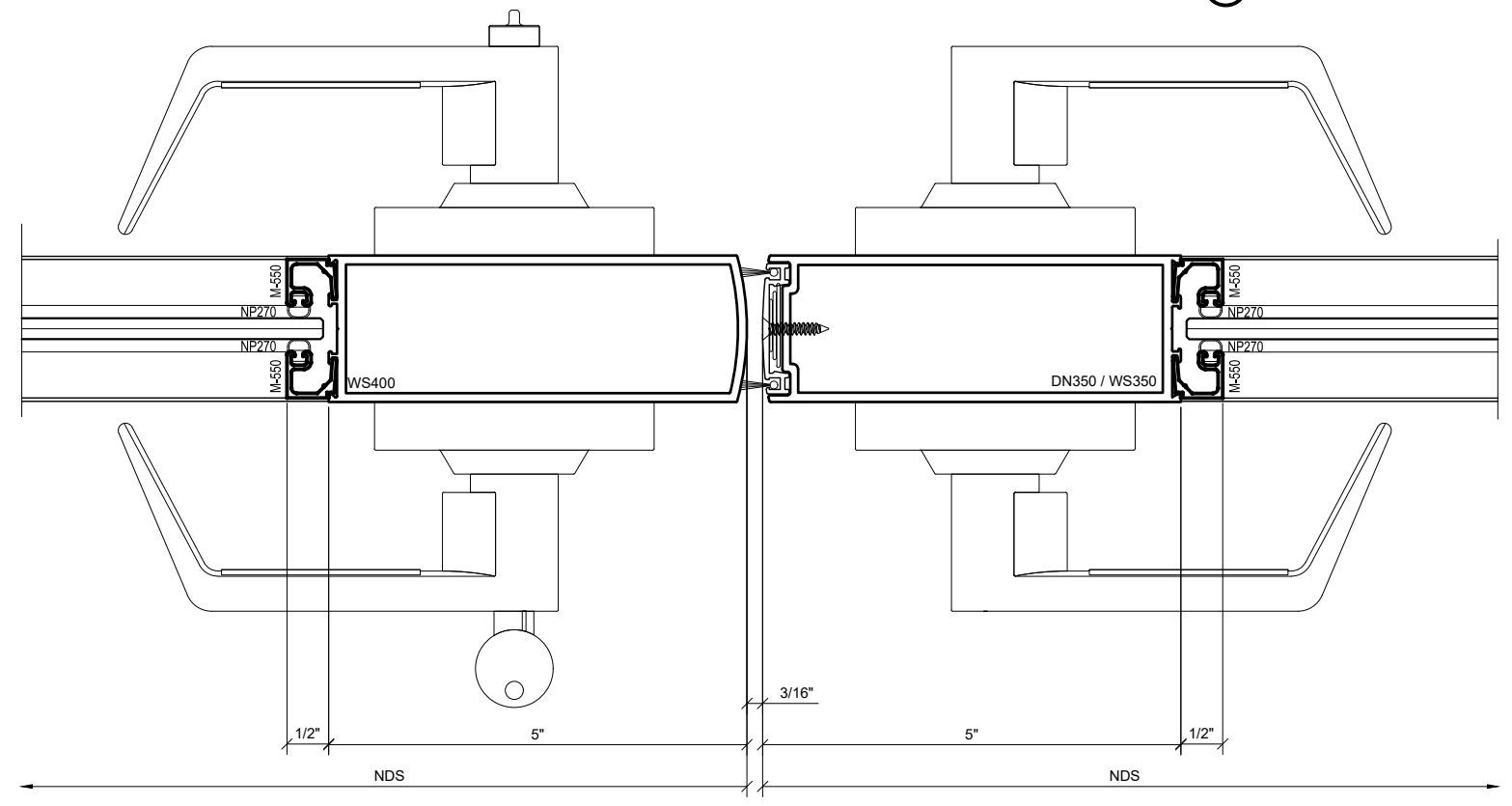
2.04



1 DOOR JAMB DETAIL AT HINGE SIDE WITH SERIES 550 WIDE STILE DOOR
1'-0" = 1'-0" ARCH. REF.: N/A



3 DOOR JAMB DETAIL AT STRIKE SIDE WITH SERIES 550 WIDE STILE DOOR
1'-0" = 1'-0" ARCH. REF.: N/A



2 MEETING STILES DETAIL WITH SERIES 550 WIDE STILE DOORS
1'-0" = 1'-0" ARCH. REF.: N/A

Revisions By:

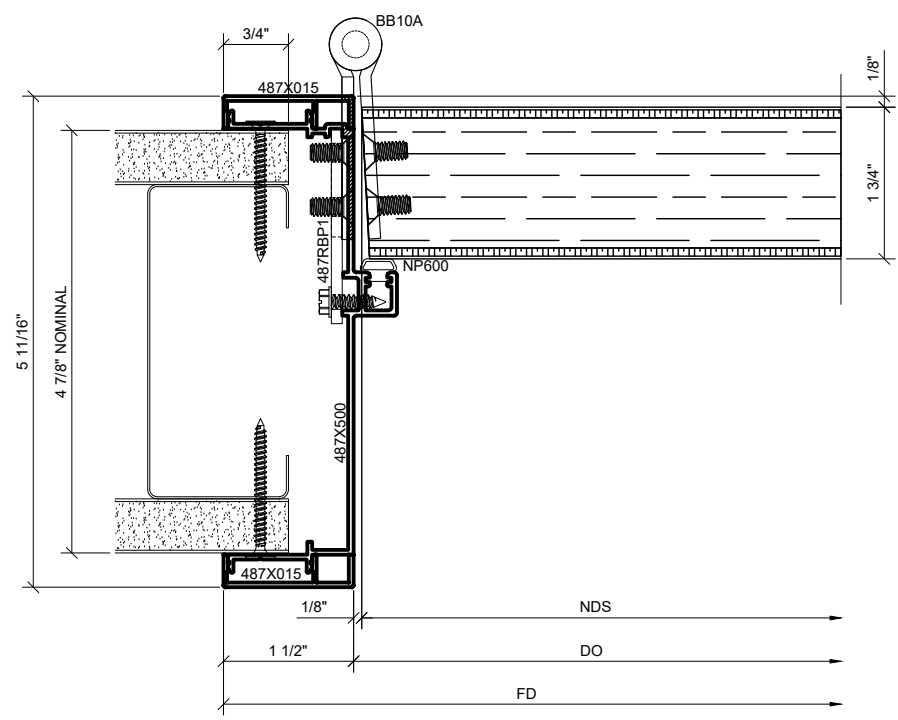
CRL

2893 E. Vermont Avenue, Los Angeles, CA 90008-1887
PH (800)-621-6144 FX (800)-621-7200 www.crlusa.com

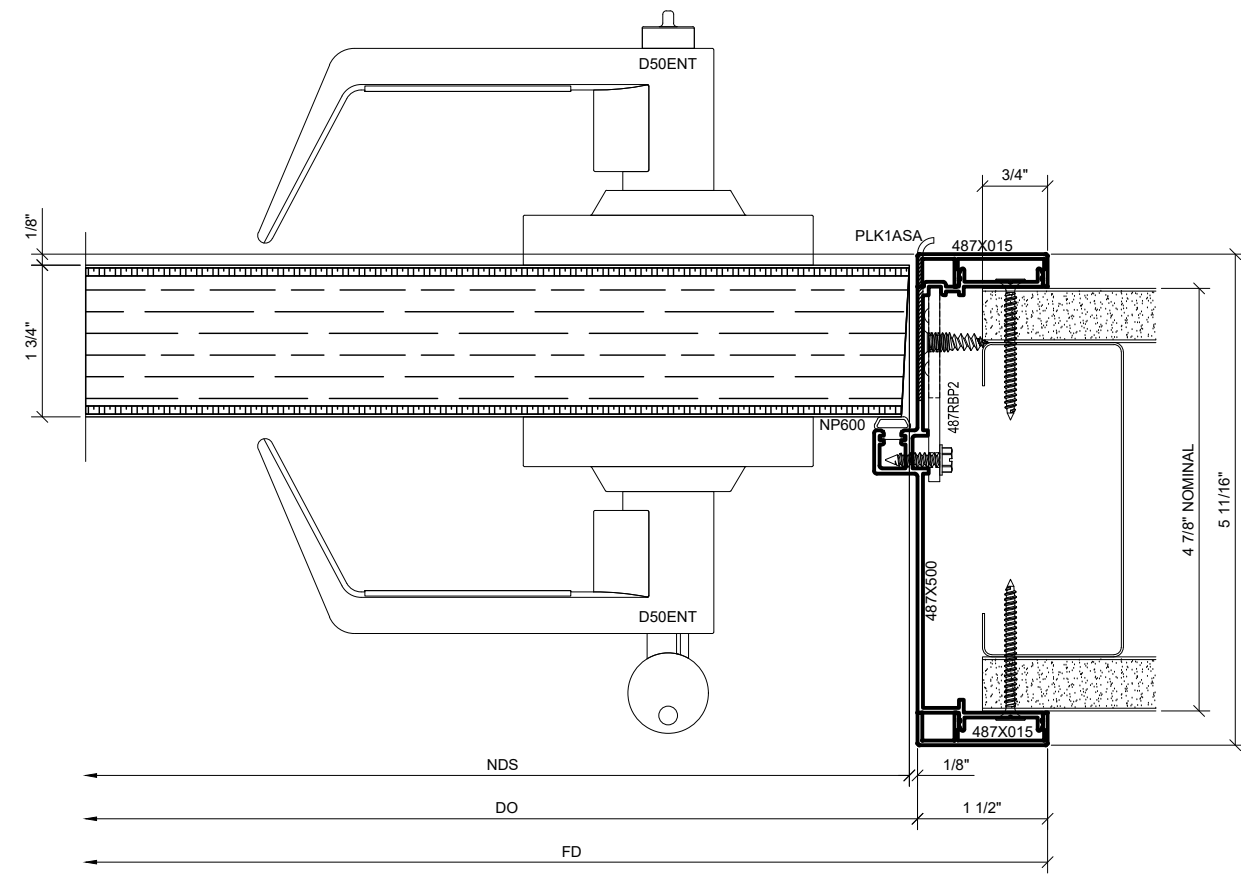
Discussions:
CRL 487-1.5
OFFICE PARTITION SYSTEM

Drawn By: RPD
Date: 02/09/18
Scale: AS NOTED
File Name:
CRL_487-1.5 Office Partition
System.dwg

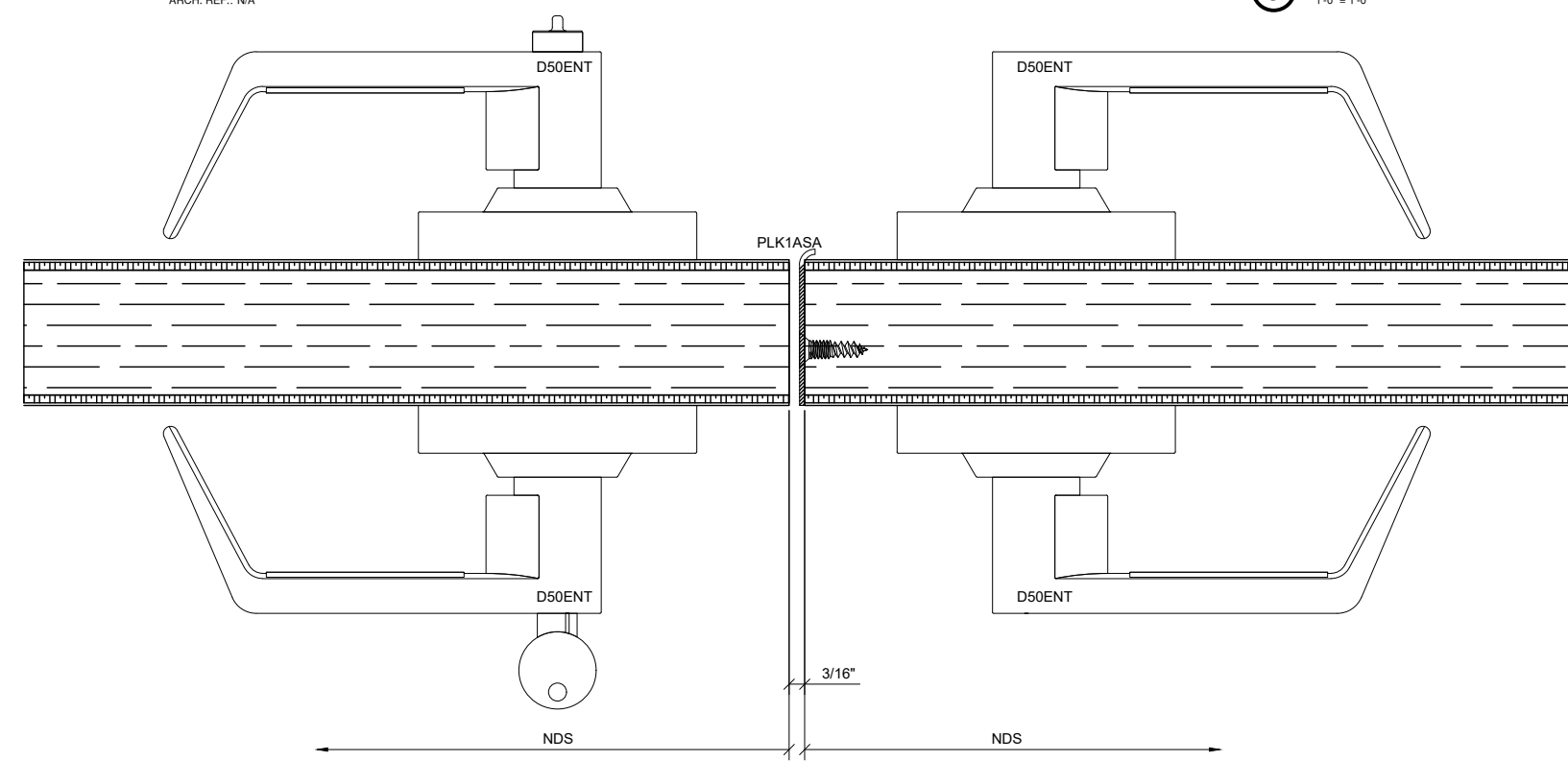
Sheet
2.05



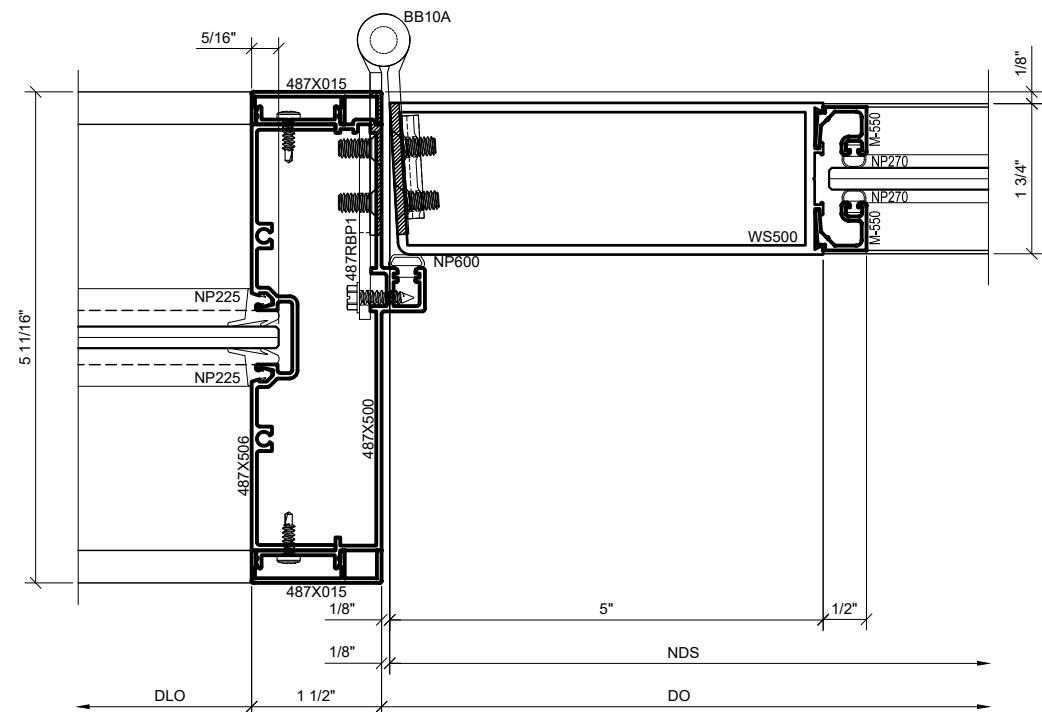
1 DOOR JAMB DETAIL AT HINGE SIDE WITH WOOD FLUSH DOOR
1'-0" = 1'-0" ARCH. REF.: N/A



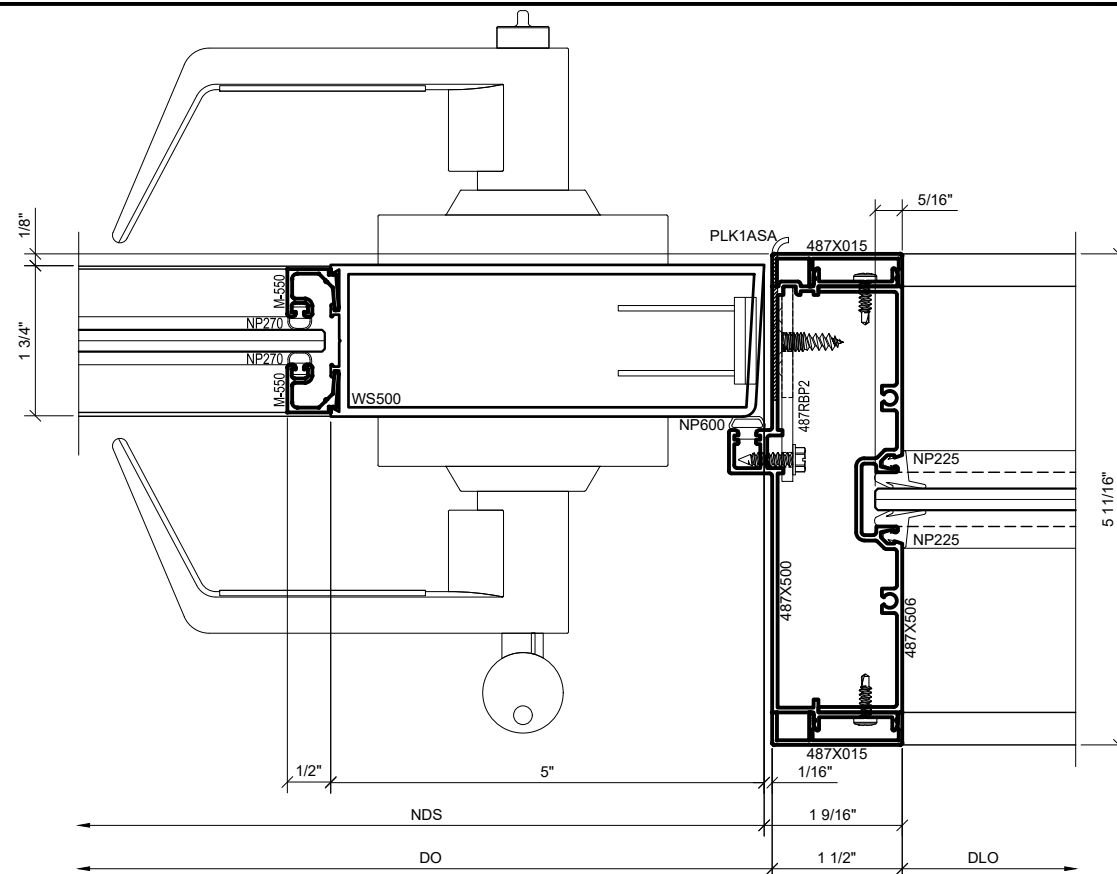
3 DOOR JAMB DETAIL AT STRIKE SIDE WITH WOOD FLUSH DOOR
1'-0" = 1'-0" ARCH. REF.: N/A



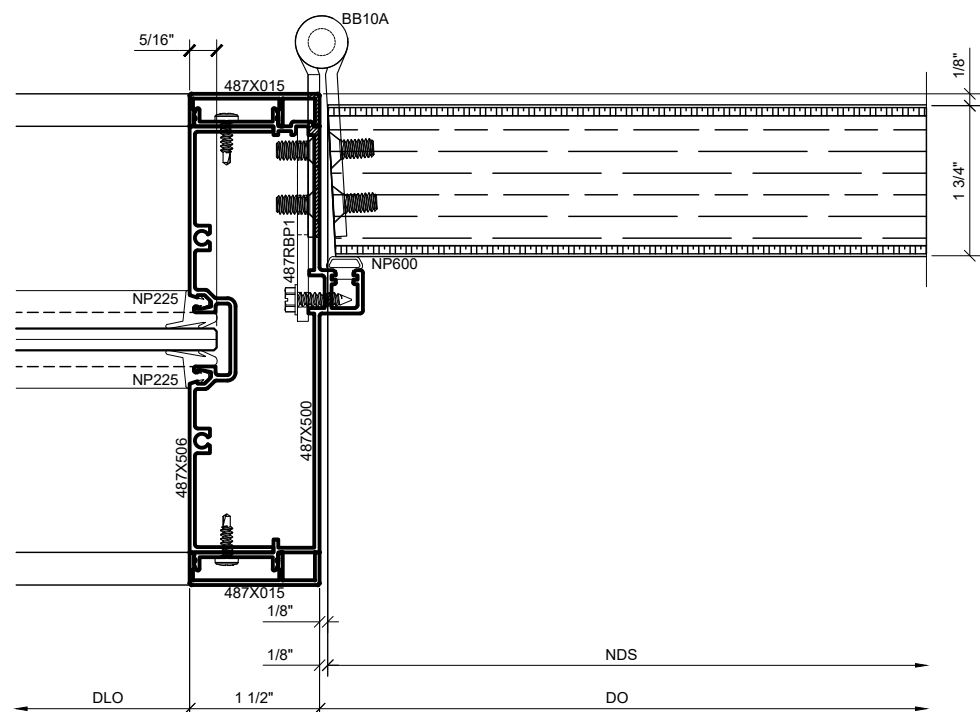
2 MEETING STILES DETAIL WITH WOOD FLUSH DOOR
1'-0" = 1'-0" ARCH. REF.: N/A



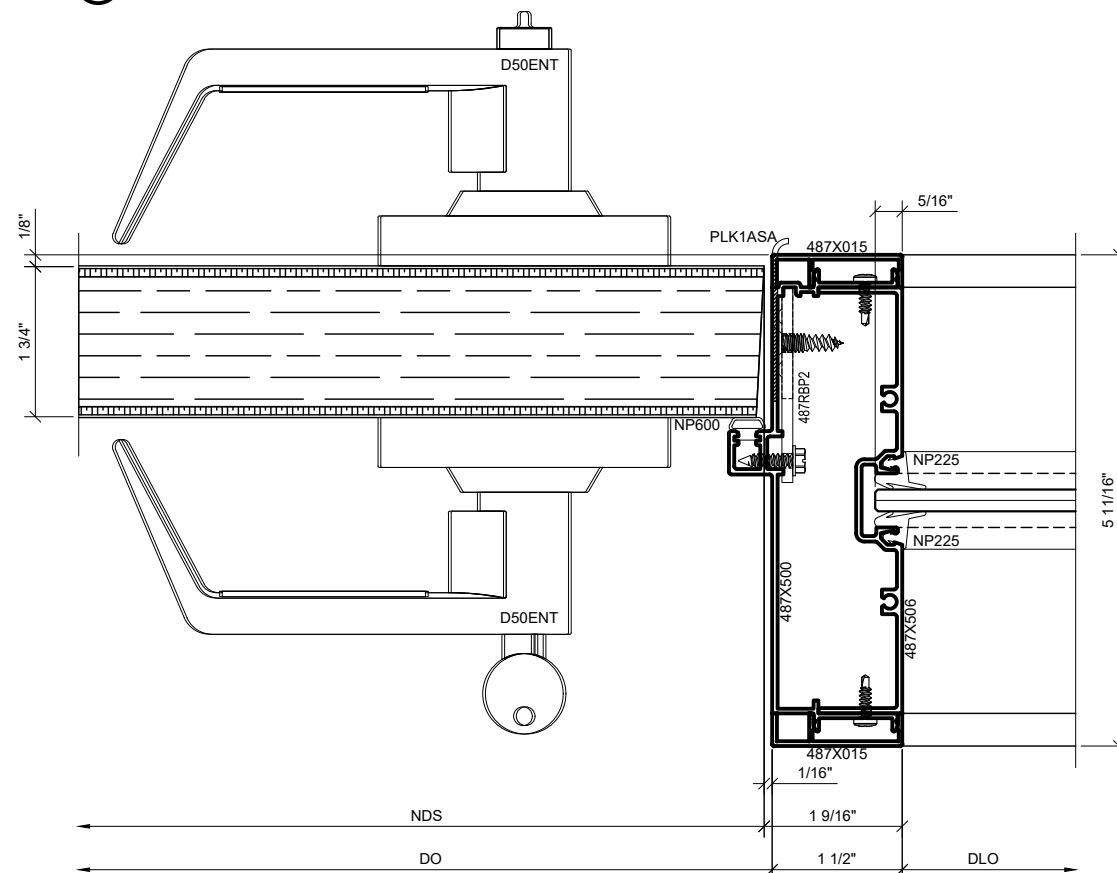
1 DOOR JAMB DETAIL AT HINGE SIDE WITH SIDELITE W/ SERIES 550 WIDE STILE DOOR
1'-0" = 1'-0" ARCH. REF.: N/A



2 DOOR JAMB DETAIL AT STRIKE SIDE WITH SIDELITE W/ SERIES 550 WIDE STILE DOOR
1'-0" = 1'-0" ARCH. REF.: N/A



3 DOOR JAMB DETAIL AT HINGE SIDE WITH SIDELITE W/ WOOD FLUSH DOOR
1'-0" = 1'-0" ARCH. REF.: N/A



4 DOOR JAMB DETAIL AT STRIKE SIDE WITH SIDELITE W/ WOOD FLUSH DOOR
1'-0" = 1'-0" ARCH. REF.: N/A

Revisions By:

CRL

2503 E. Vernon Avenue, Los Angeles, C.A. 90058-1897
PH (800)-421-6144 FX: 800-587-7501 www.crlaurence.com

Description:
CRL 487-1.5
OFFICE PARTITION SYSTEM

Drawn By: RPD
Date: 02/09/18
Scale: AS NOTED
File Name: CRL 487-1.5 Office Partition System.dwg

Sheet

2.06

Revisions By:

CRL

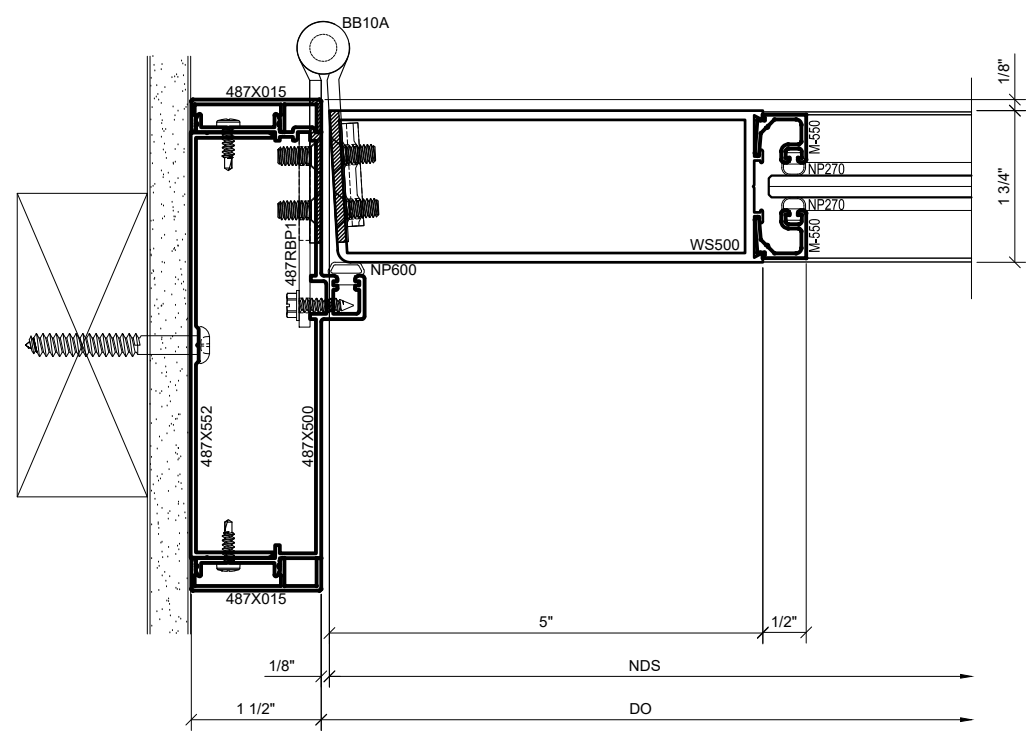
2503 E. Vernon Avenue, Los Angeles, CA 90058-1897
PH (800)-421-6144 FX: 800-587-7501 www.crlaurence.com

Description:
CRL 487-1.5
OFFICE PARTITION SYSTEM

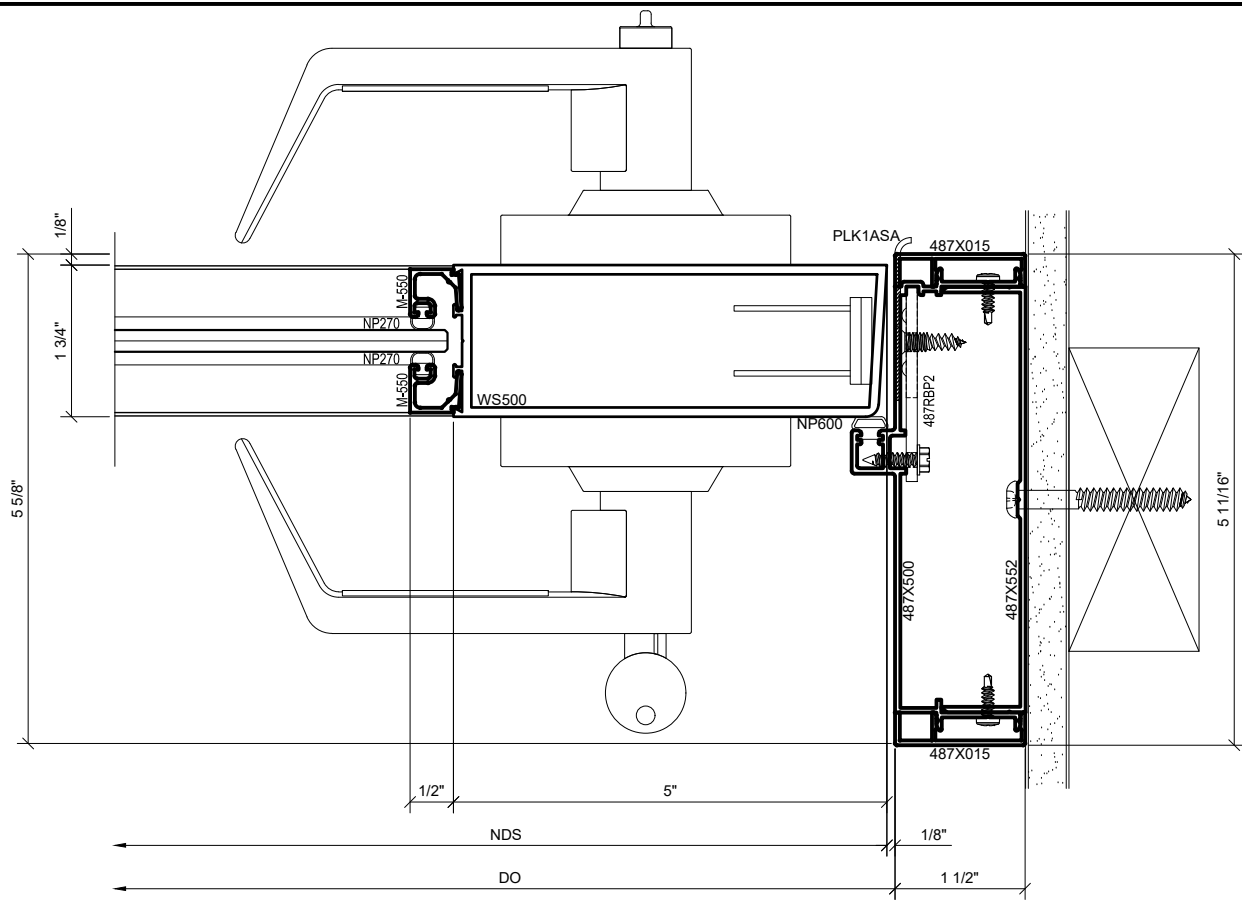
Drawn By: RPD
Date: 02/09/18
Scale: AS NOTED
File Name: CRL 487-1.5 Office Partition System.dwg

Sheet

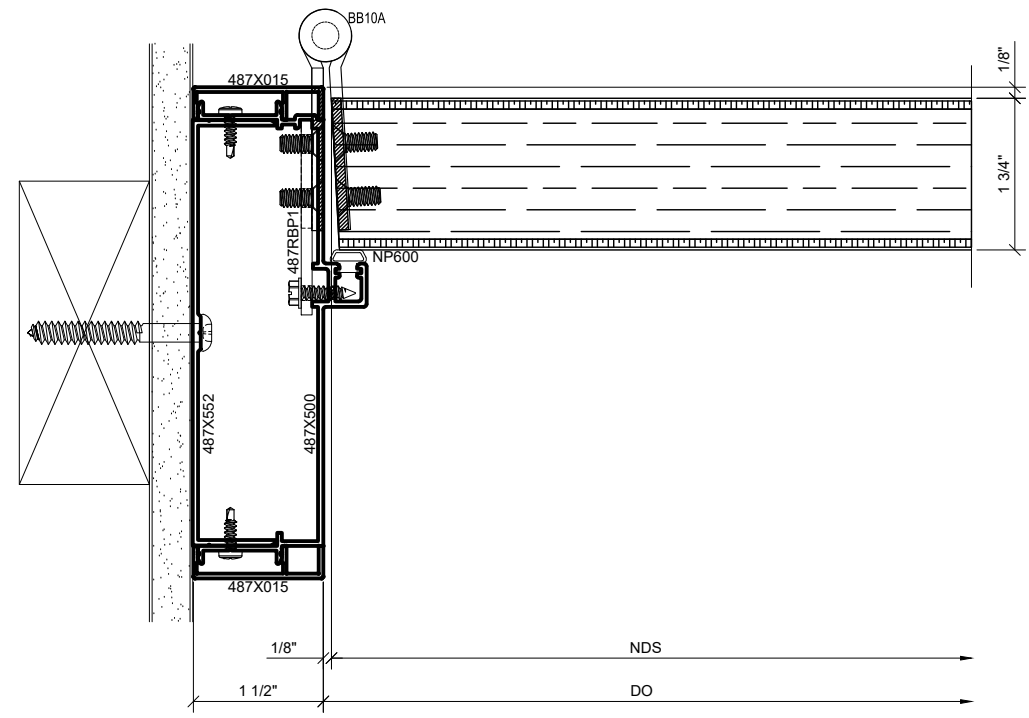
2.07



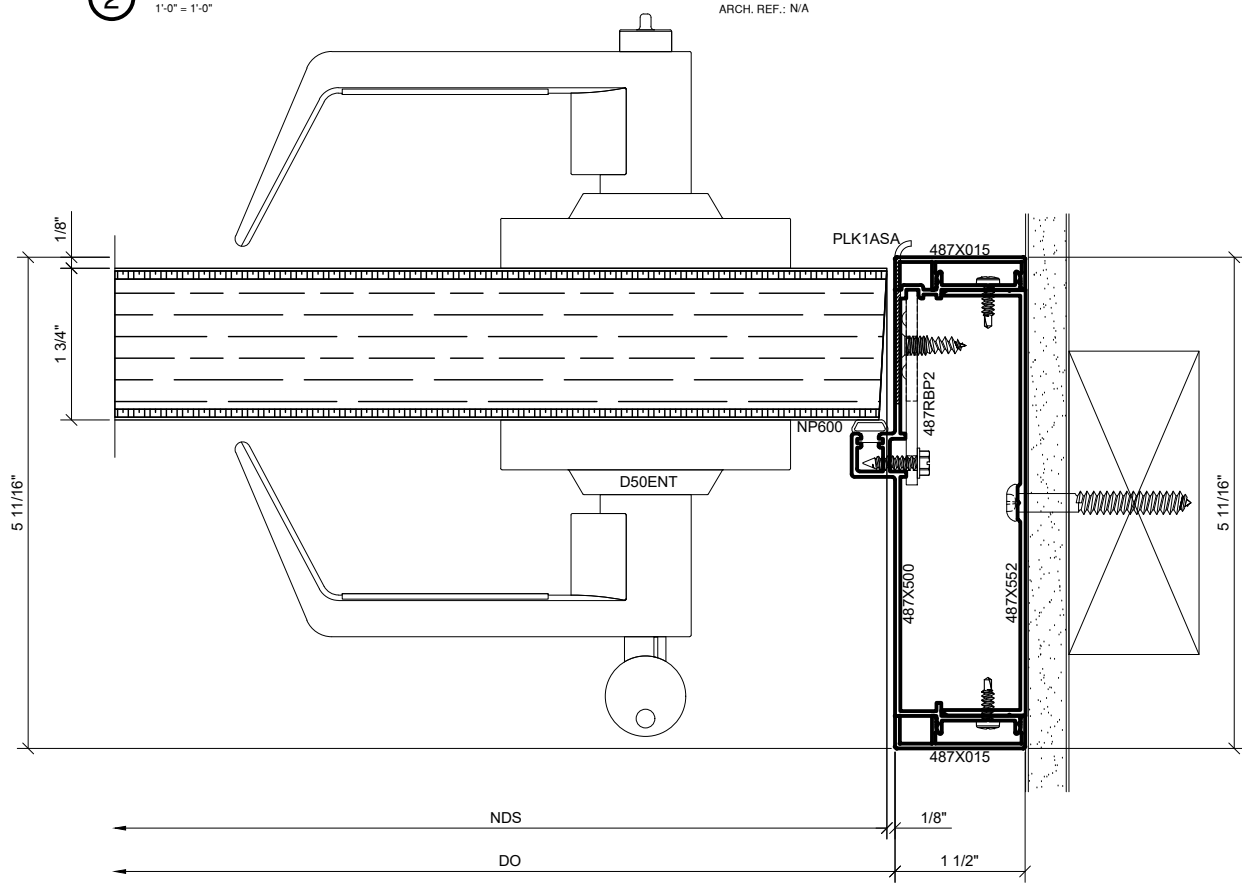
1 SURFACE MOUNT DOOR JAMB DETAIL AT HINGE SIDE W/ SERIES 550 WIDE STILE DOOR
1'-0" = 1'-0" ARCH. REF.: N/A



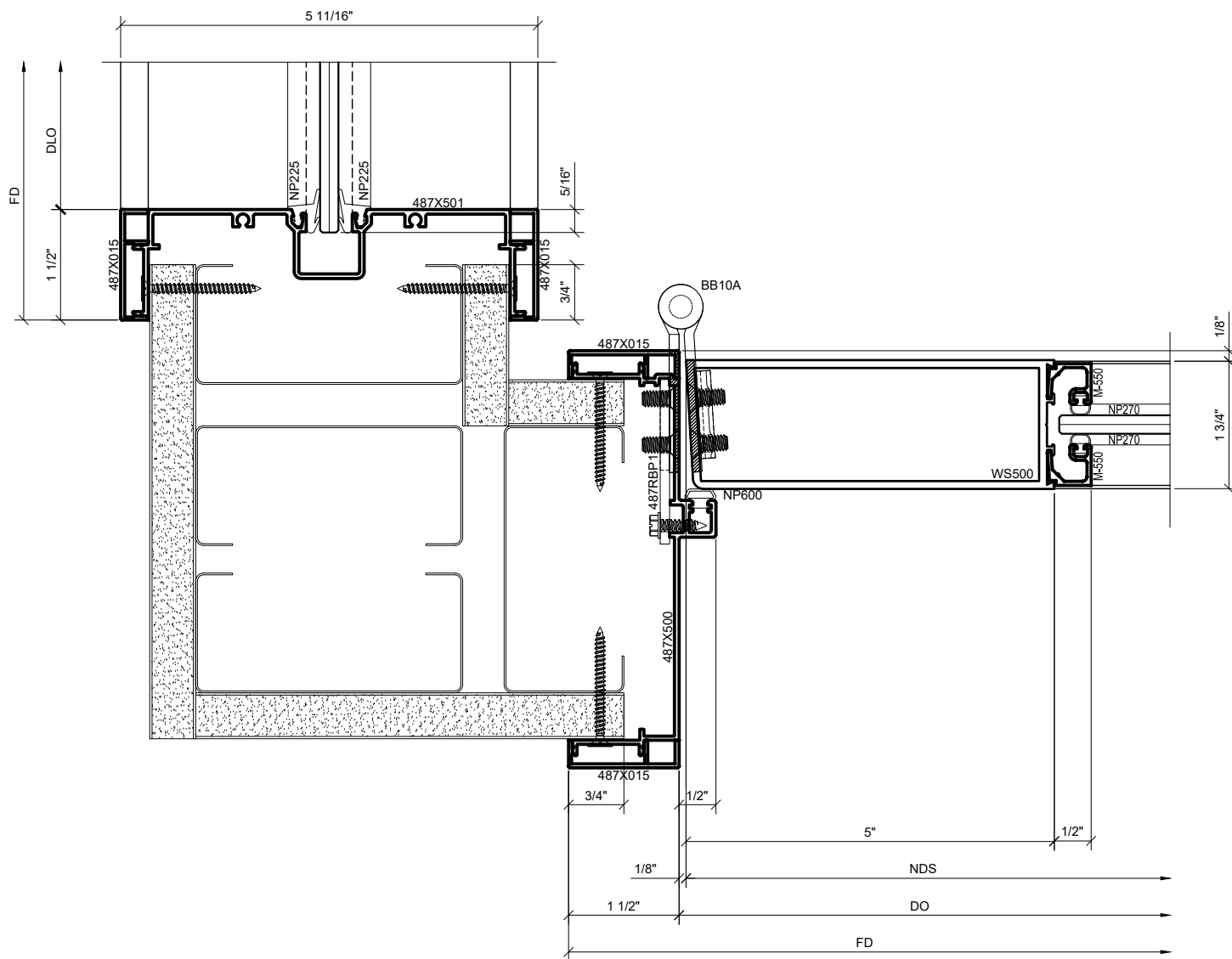
2 SURFACE MOUNT DOOR JAMB DETAIL AT STRIKE SIDE W/ SERIES 550 WIDE STILE DOOR
1'-0" = 1'-0" ARCH. REF.: N/A



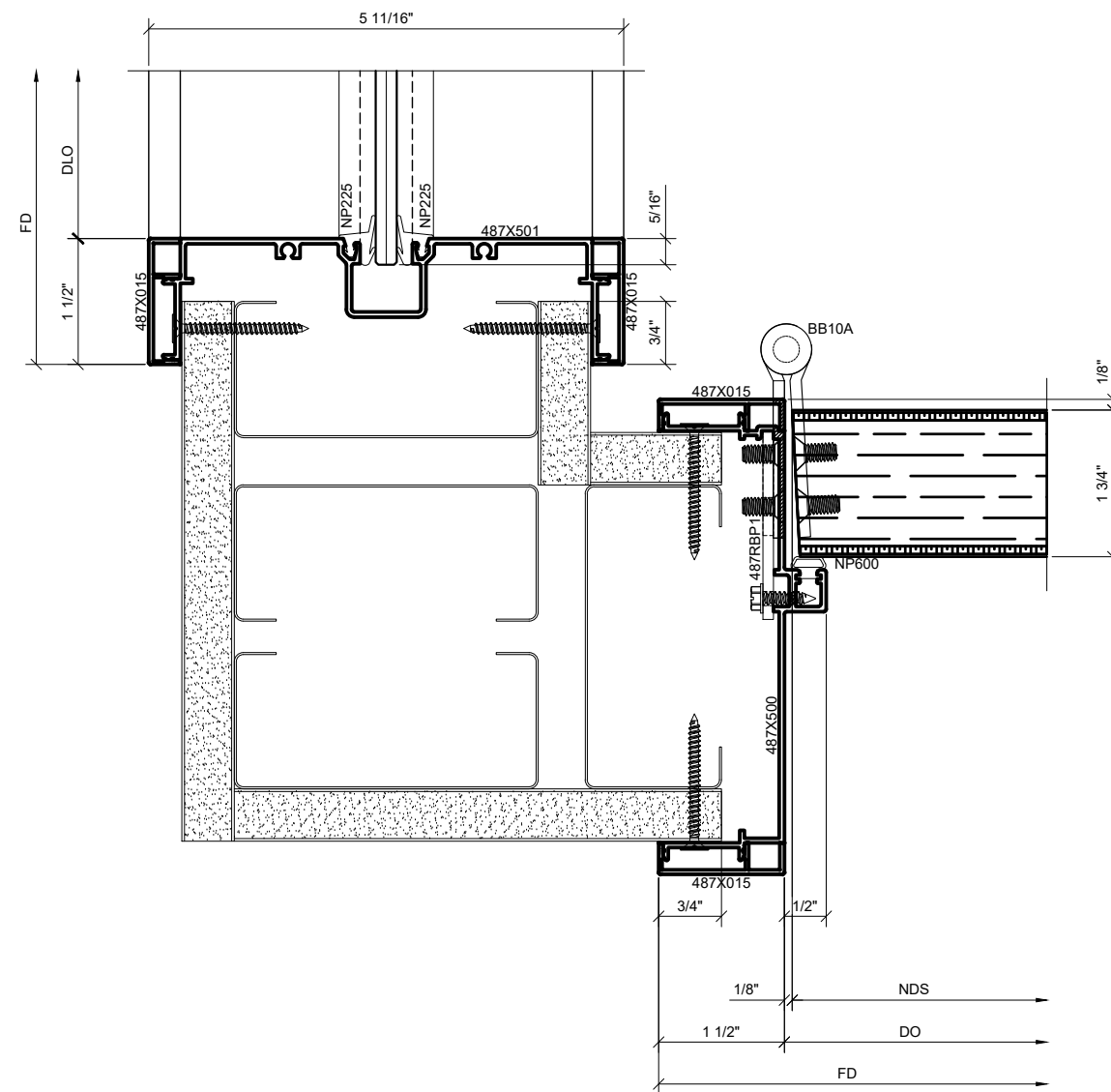
3 SURFACE MOUNT DOOR JAMB DETAIL AT HINGE SIDE WITH WOOD FLUSH DOOR
1'-0" = 1'-0" ARCH. REF.: N/A



4 SURFACE MOUNT DOOR JAMB DETAIL AT STRIKE SIDE WITH WOOD FLUSH DOOR
1'-0" = 1'-0" ARCH. REF.: N/A



1 CORNER DETAIL BORROWED LITE JAMB /
DOOR JAMB W/ SERIES/ 550 WIDE STILE DOOR
1'-0" = 1'-0" ARCH. REF.: N/A



2 CORNER DETAIL BORROWED LITE JAMB /
DOOR JAMB WITH WOOD FLUSH DOOR
1'-0" = 1'-0" ARCH. REF.: N/A

Revisions By:

CRL.

2503 E. Vernon Avenue, Los Angeles, CA 90058-1897
PH (800)-421-6144 FX: 800-587-7501 www.crlaurence.com

Description:
CRL 487-1.5
OFFICE PARTITION SYSTEM

Drawn By: RPD
Date: 02/09/18
Scale: AS NOTED
File Name:
CRL 487-1.5 Office Partition
System.dwg

Sheet

2.08

Revisions By:

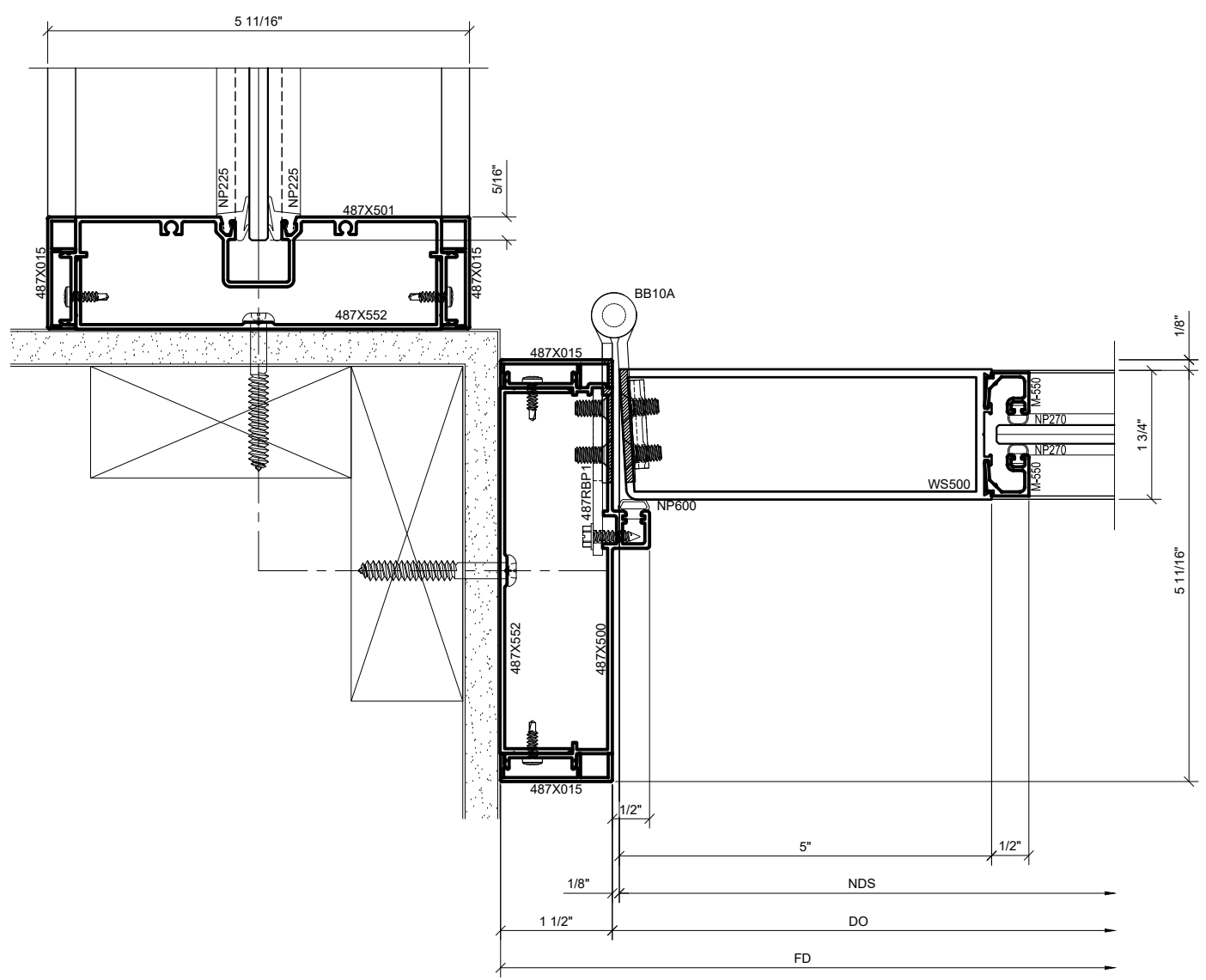
CRL

2503 E. Vernon Avenue, Los Angeles, CA 90058-1897
PH (800)-421-6144 FX: 800-587-7501 www.crlaurence.com

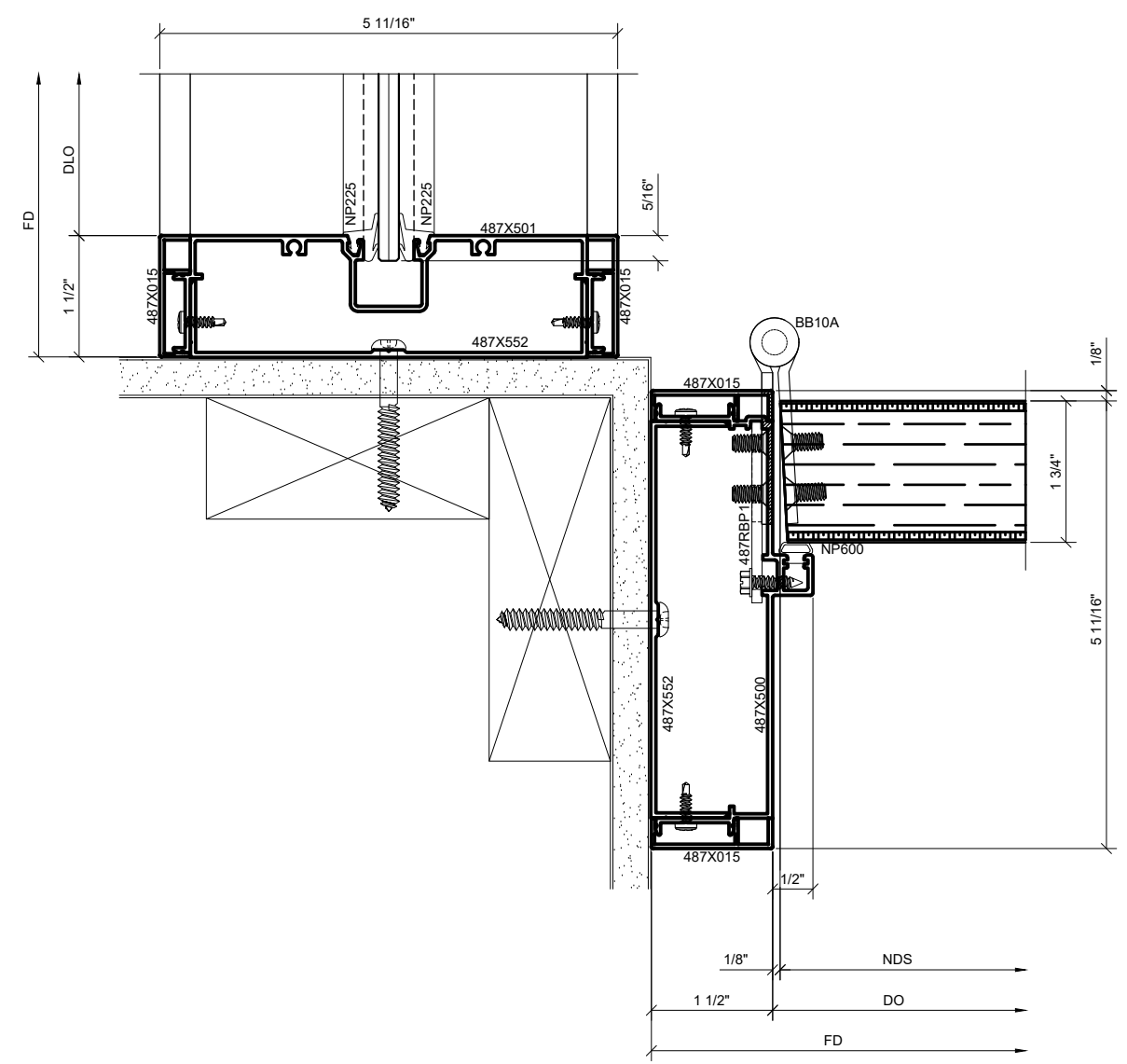
Description:
CRL 487-1.5
OFFICE PARTITION SYSTEM

Drawn By: RPD
Date: 02/09/18
Scale: AS NOTED
File Name:
CRL 487-1.5 Office Partition
System.dwg
Sheet

2.09



1 SURFACE MOUNT CORNER DETAIL BORROWED LITE JAMB / DOOR JAMB W/ SERIES 550 WIDE STILE DOOR
1'-0" = 1'-0" ARCH. REF.: N/A



2 SURFACE MOUNT CORNER DETAIL BORROWED LITE JAMB / DOOR JAMB WITH WOOD FLUSH DOOR
1'-0" = 1'-0" ARCH. REF.: N/A

Revisions By:

CRL

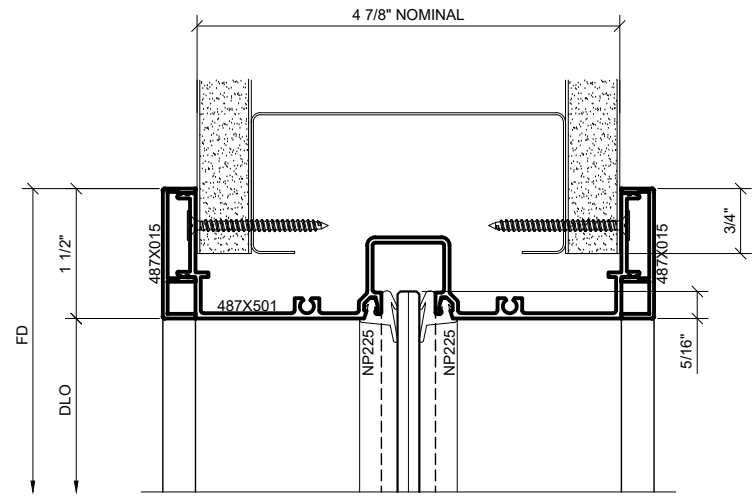
2503 E. Vernon Avenue, Los Angeles, CA 90058-1897
PH (800)-421-6144 FX: 800-587-7501 www.crlaurence.com

Discription:
CRL 487-1.5
OFFICE PARTITION SYSTEM

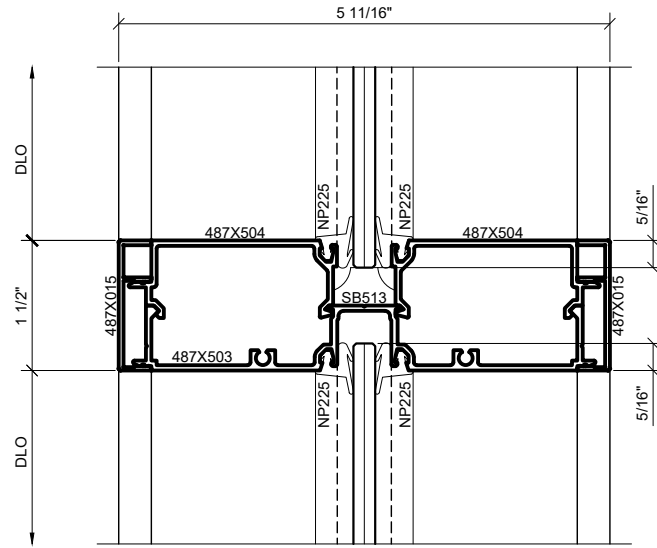
Drawn By: RPD
Date: 02/09/18
Scale: AS NOTED
File Name: CRL 487-1.5 Office Partition System.dwg

Sheet

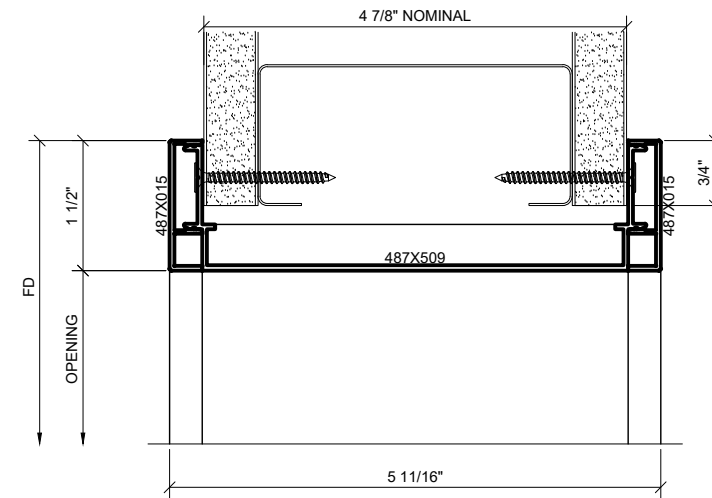
2.10



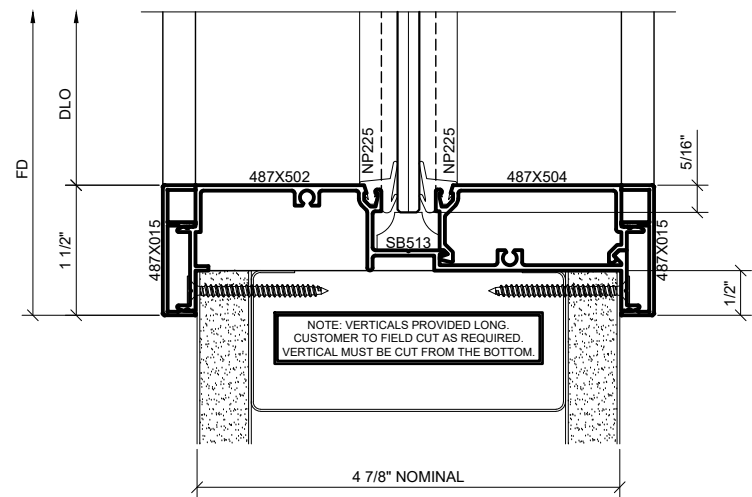
1 HEAD DETAIL AT SIDELITE / BORROWED LITE
1'-0" = 1'-0" ARCH. REF.: N/A



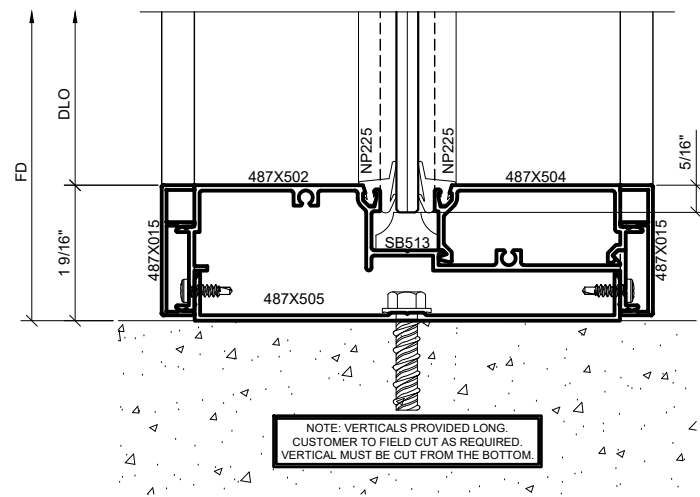
2 HORIZONTAL MULLION DETAIL
1'-0" = 1'-0" ARCH. REF.: N/A



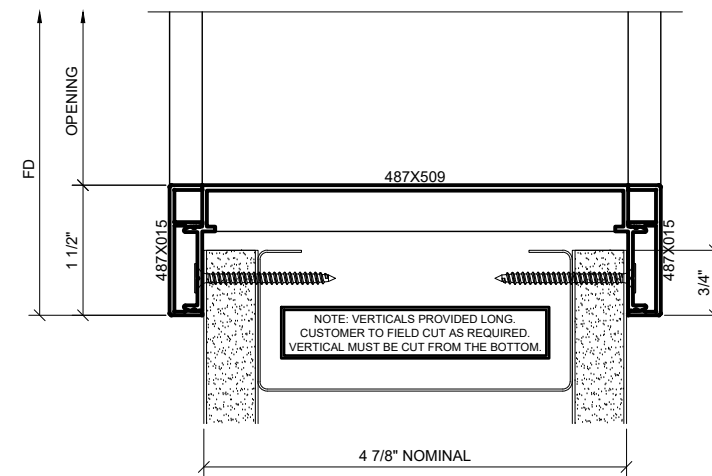
3 HEAD DETAIL AT CASSED OPENING
1'-0" = 1'-0" ARCH. REF.: N/A



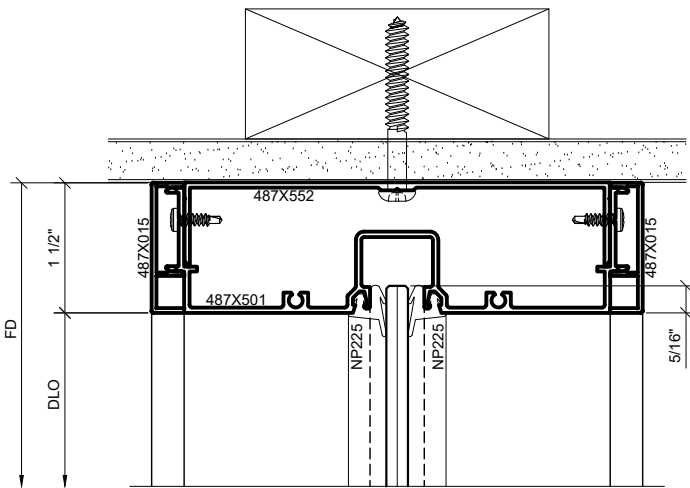
4 SILL DETAIL AT SIDELITE/
BORROWED LITE ABOVE FLOOR
1'-0" = 1'-0" ARCH. REF.: N/A



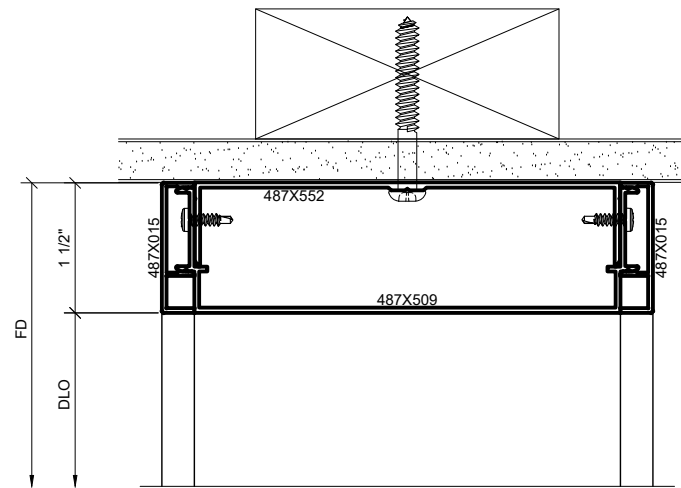
5 SILL DETAIL AT FULL HEIGHT
SIDELITE / BORROWED LITE
1'-0" = 1'-0" ARCH. REF.: N/A



6 SILL DETAIL AT CASSED
OPENING ABOVE FLOOR
1'-0" = 1'-0" ARCH. REF.: N/A



① SURFACE MOUNT HEAD DETAIL
AT SIDELITE / BORROWED LITE
1'-0" = 1'-0" ARCH. REF.: N/A



② SURFACE MOUNT HEAD
DETAIL AT CASD OPENING
1'-0" = 1'-0" ARCH. REF.: N/A

Revisions By:

CRL.

2503 E. Vernon Avenue, Los Angeles, CA 90058-1897
PH (800)-421-6144 FX: 800-587-7501 www.crlaurence.com

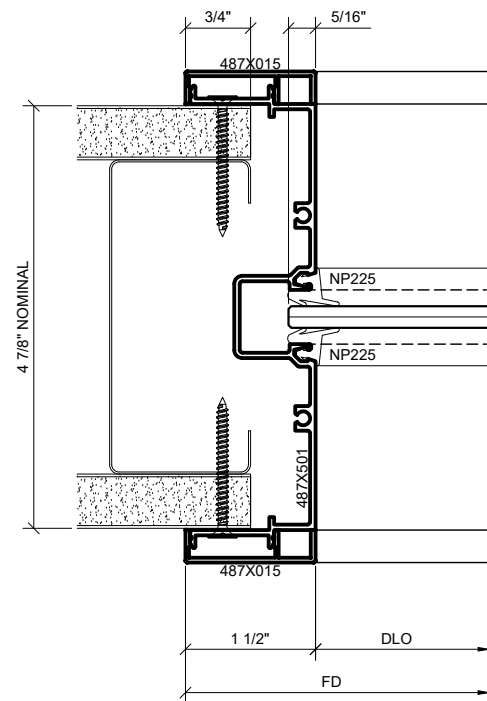
Description:
CRL 487-1.5
OFFICE PARTITION SYSTEM

Drawn By: RPD
Date: 02/09/18
Scale: AS NOTED

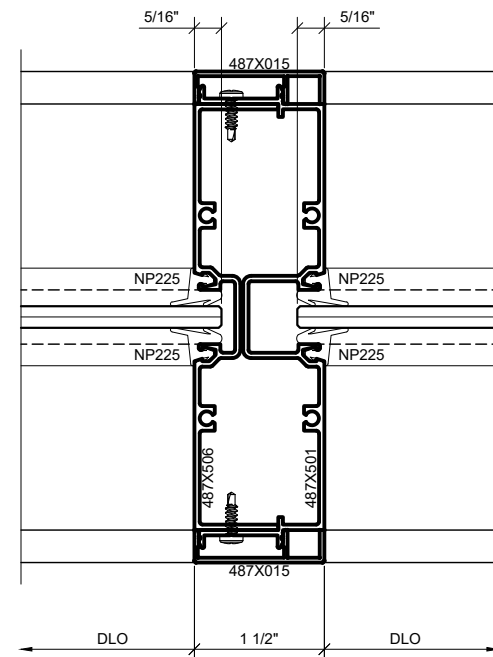
File Name:
CRL 487-1.5 Office Partition
System.dwg

Sheet

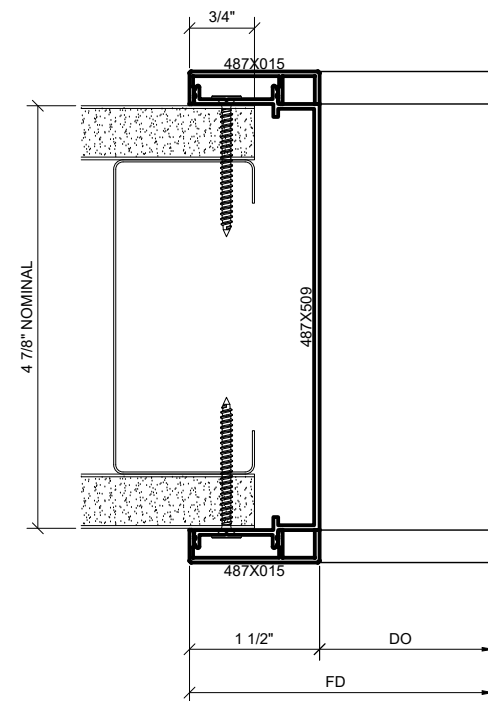
2.11



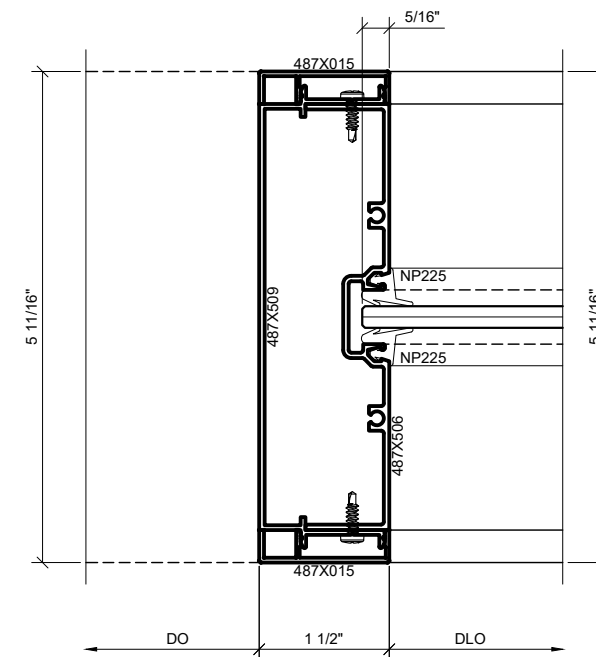
1 WALL JAMB DETAIL AT SIDELITE / BORROWED LITE
1'-0" = 1'-0" ARCH. REF.: N/A



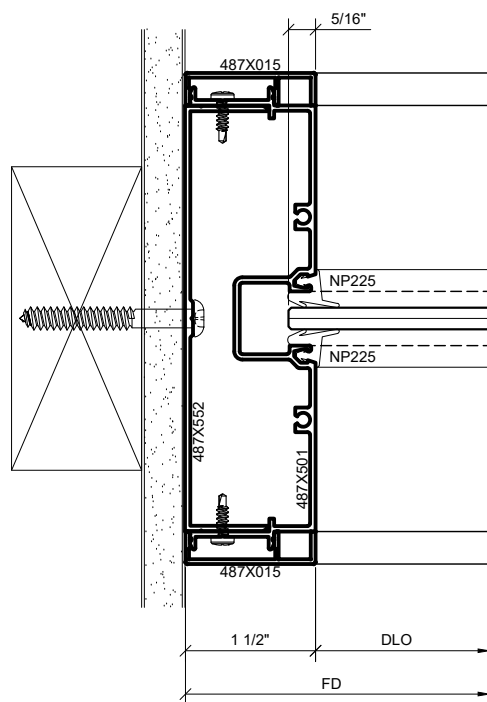
2 INTERMEDIATE VERTICAL DETAIL AT SIDELITE
1'-0" = 1'-0" ARCH. REF.: N/A



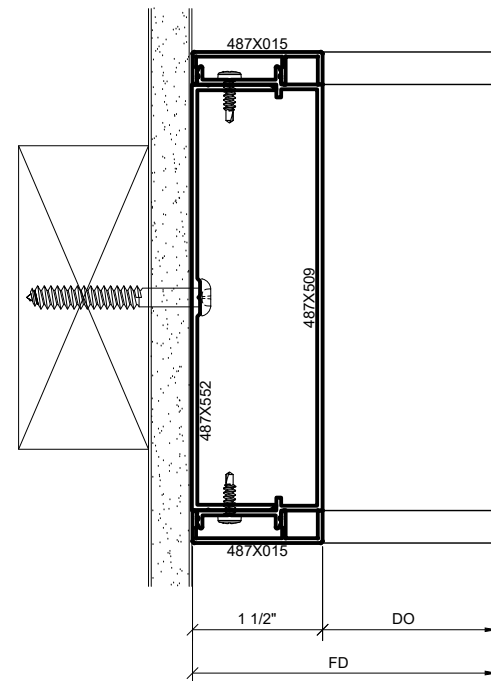
3 WALL JAMB DETAIL AT CASSED OPENING
1'-0" = 1'-0" ARCH. REF.: N/A



4 CASSED OPENING JAMB DETAIL AT SIDELITE
1'-0" = 1'-0" ARCH. REF.: N/A



5 SURFACE MOUNT WALL JAMB DETAIL AT SIDELITE / BORROWED LITE
1'-0" = 1'-0" ARCH. REF.: N/A



6 SURFACE MOUNT WALL JAMB DETAIL AT CASSED OPENING
1'-0" = 1'-0" ARCH. REF.: N/A

Revisions By:

CRL.

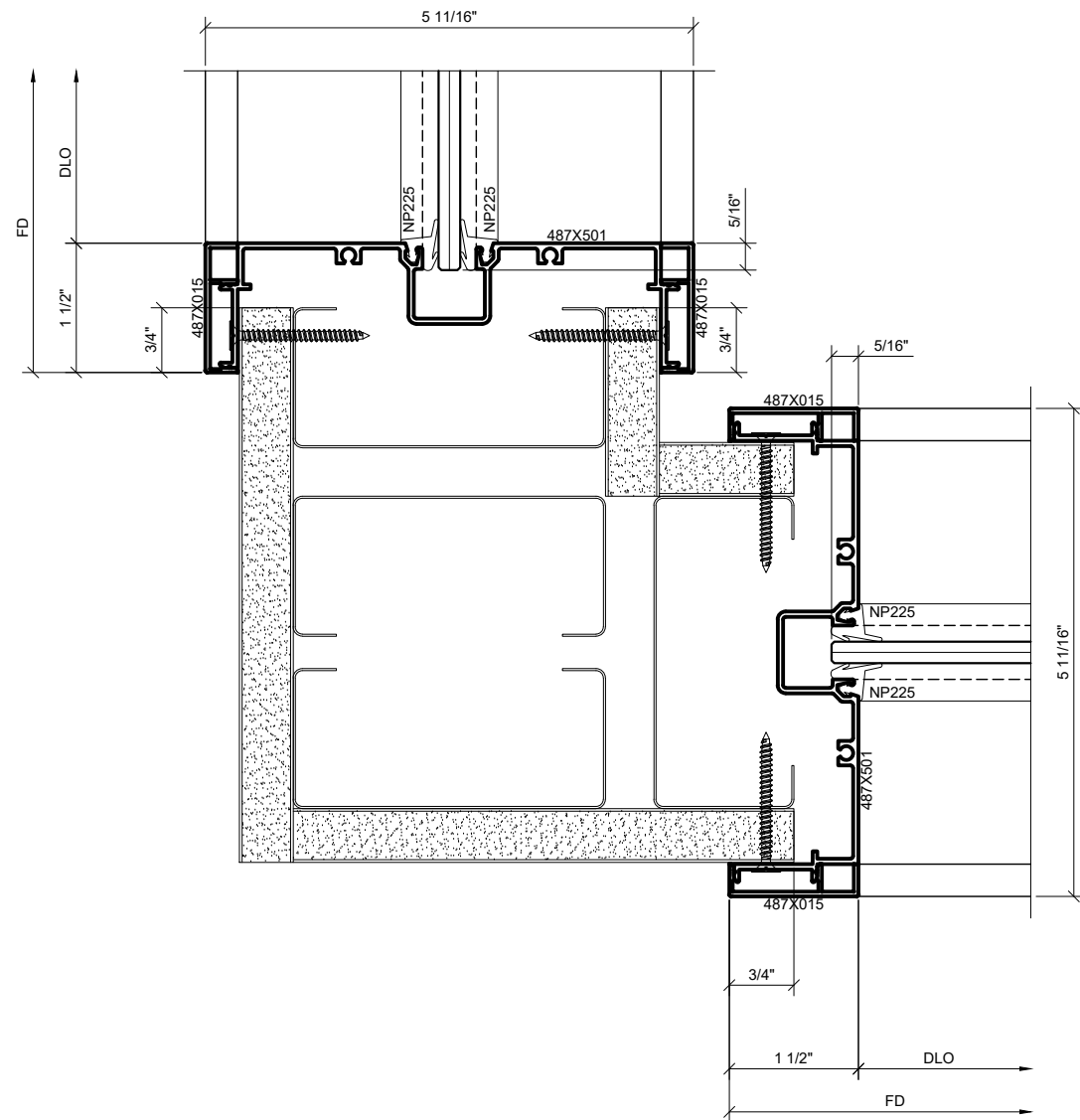
2503 E. Vernon Avenue, Los Angeles, CA 90058-1897
PH (800)-421-6144 FX: 800-587-7501 www.crlusa.com

Description:
CRL 487-1.5
OFFICE PARTITION SYSTEM

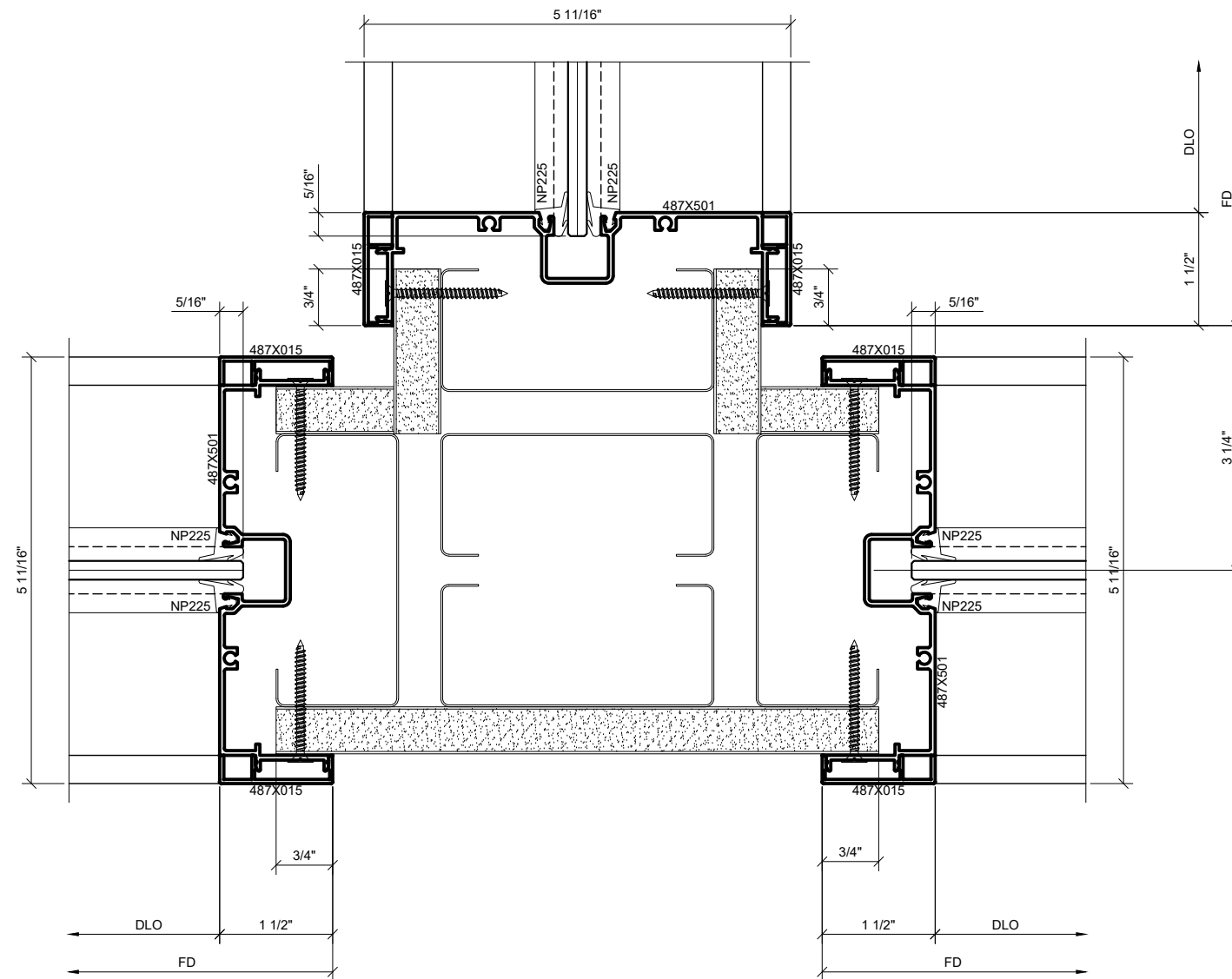
Drawn By: RPD
Date: 02/09/18
Scale: AS NOTED
File Name: CRL 487-1.5 Office Partition System.dwg

Sheet

2.12



1 CORNER DETAIL: SIDELITE / BORROWED LITE
1'-0" = 1'-0" ARCH. REF.: N/A



2 "T" DETAIL: SIDELITE / BORROWED LITE
1'-0" = 1'-0" ARCH. REF.: N/A

Revisions By:

CRL.

2503 E. Vernon Avenue, Los Angeles, CA 90058-1897
PH (800)-421-6144 FX: 800-587-7501 www.crlaurence.com

Description:
CRL 487-1.5
OFFICE PARTITION SYSTEM

Drawn By: RPD

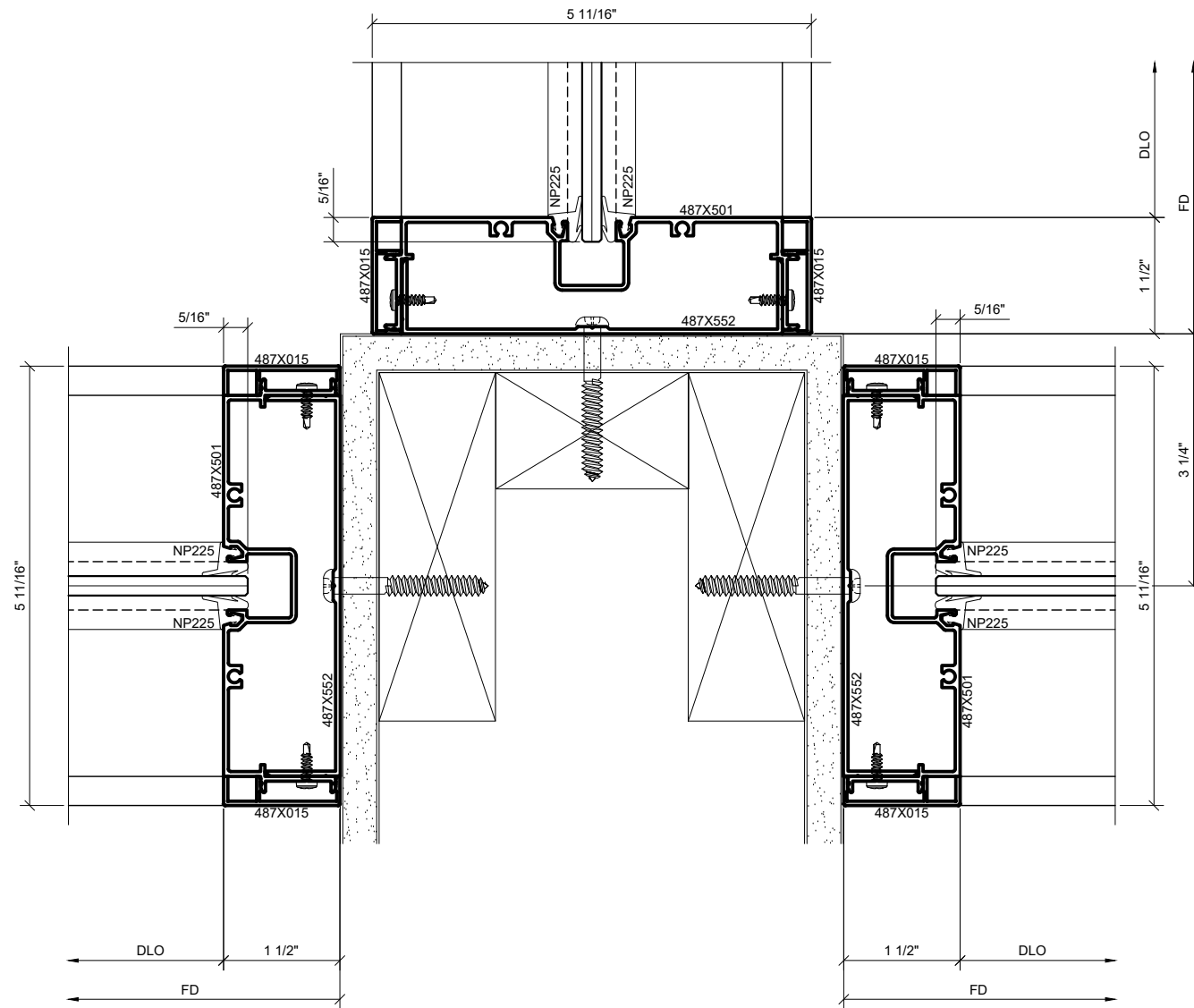
Date: 02/09/18

Scale: AS NOTED

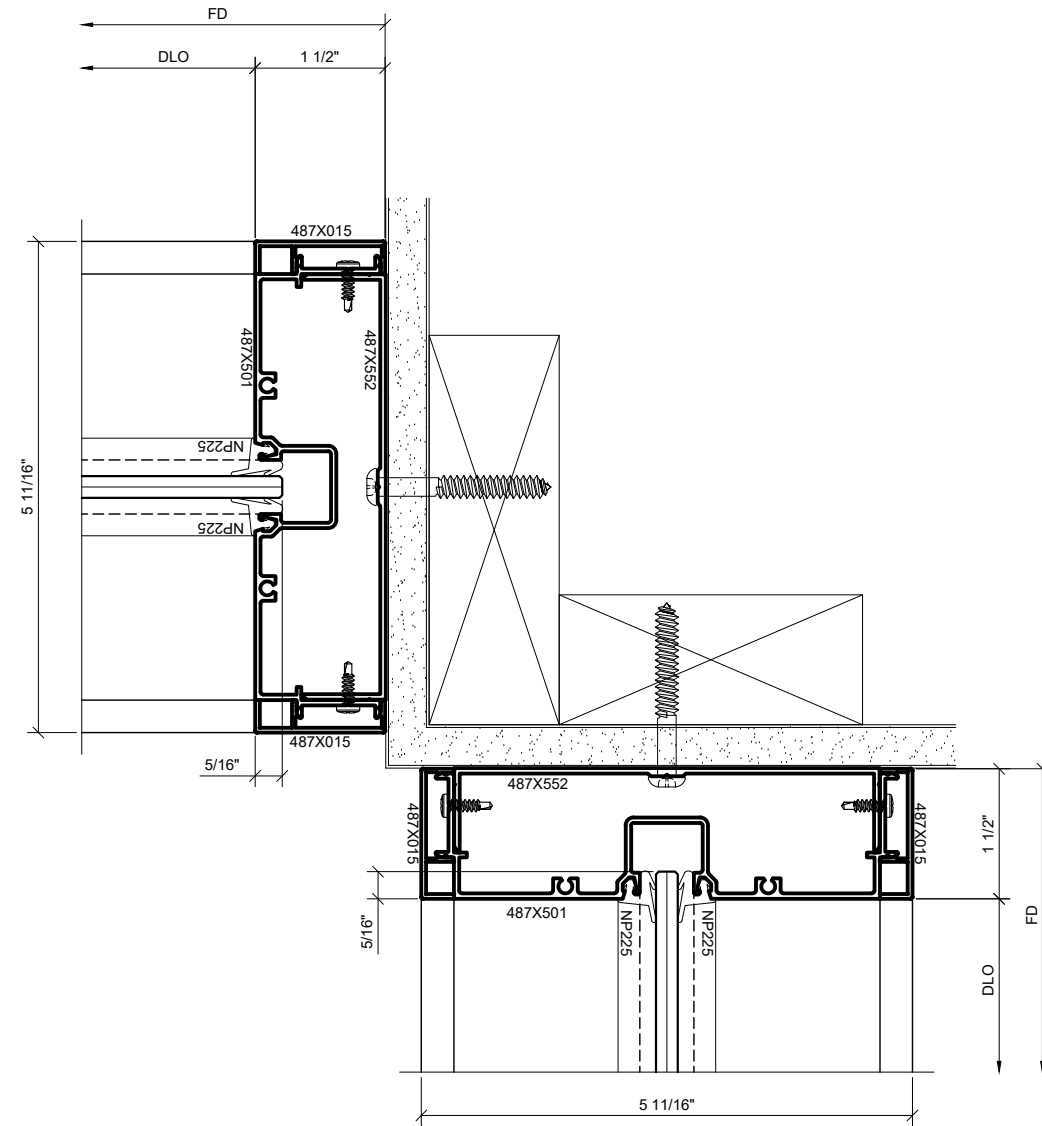
File Name:
CRL 487-1.5 Office Partition
System.dwg

Sheet

2.13



1 SURFACE MOUNT "T" DETAIL:
SIDELITE / BORROWED LITE
1'-0" = 1'-0" ARCH. REF.: N/A



2 SURFACE MOUNT CORNER DETAIL:
SIDELITE / BORROWED LITE
1'-0" = 1'-0" ARCH. REF.: N/A

Revisions By:

CRL.

2503 E. Vernon Avenue, Los Angeles, CA 90058-1897
PH (800)-421-6144 FX: 800-587-7501 www.crlaurence.com

Description:
CRL 487-1.5
OFFICE PARTITION SYSTEM

Drawn By: RPD

Date: 02/09/18

Scale: AS NOTED

File Name:
CRL 487-1.5 Office Partition
System.dwg

Sheet

2.14