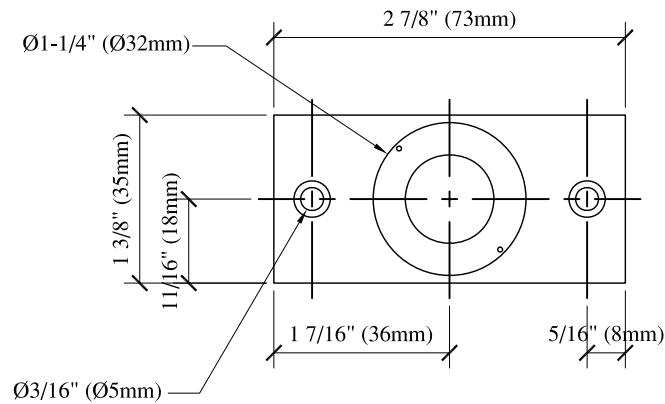


DUSTPROOF KEEPER/PLATE

TOP VIEW



SPECIFICATIONS:

FOR USE WITH:

PATCH LOCK OR CRL DOOR RAILS

FINISHES: POLISHED STAINLESS, BRASS OR BRUSHED NICKEL

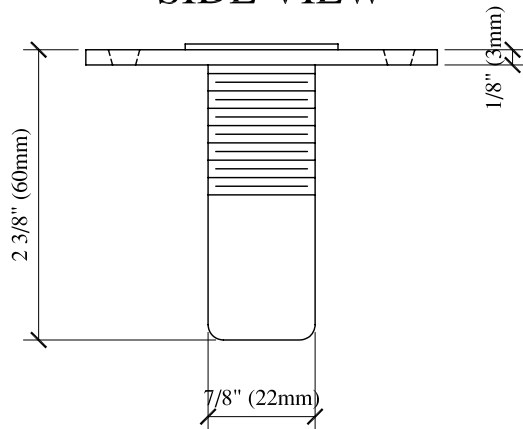
FABRICATION REQUIRED:

1" (25MM) DIAMETER HOLE DRILLED IN

FLOOR AND 2 SCREWS ANCHORS HOLES

ACCEPTS: 15/32" (12MM) PLUNGER

SIDE VIEW



C.R. LAURENCE CO.®
ARCHITECTURAL PRODUCTS

2503 E. Vernon Avenue, Los Angeles, CA 90058-1897
PH (800) 421-6144 FAX (800) 262-3299

www.crlaurence.com

COMMERCIAL HARDWARE

CAT. NO:		AMR208	
PRODUCT:		DUSTPROOF KEEPER PLATE	
DRAWN BY:	SCALE:	DATE:	
A. J. V.	N/S	06/01/06	