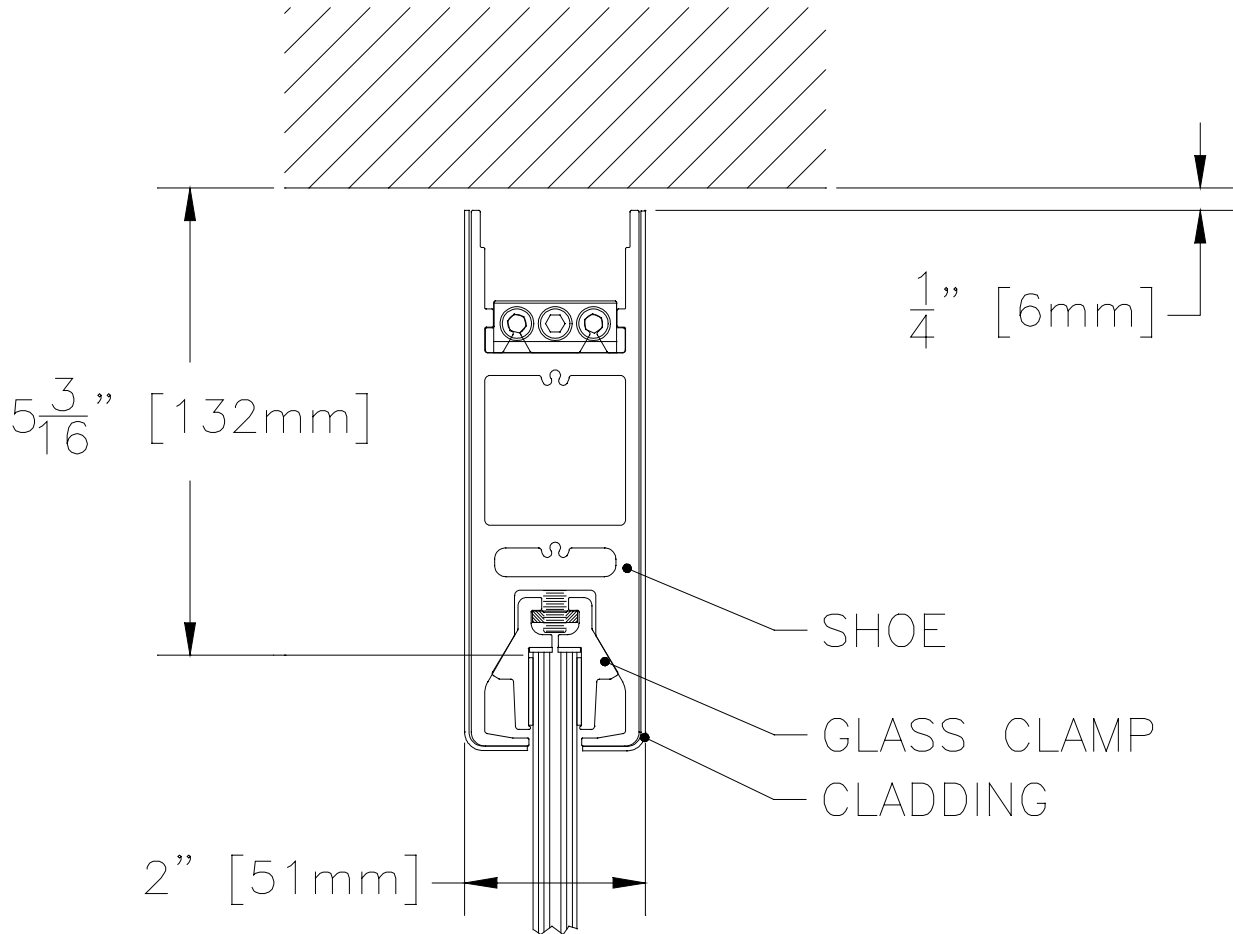


**CLAD**



6" SQUARE DOOR RAIL CLAD

**CRL** DOOR RAIL SYSTEM

**C.R. Laurence Architectural Products**

Phone Orders (800) 421-6144

Fax Orders (800) 262-3299

WWW.CRLAURENCE.COM

Patent Pending

6SDRCT