

Quote/Order Request Form

Date _____

Name _____
 Email _____
 Phone Number _____

Company _____
 Account Number _____
 Job Name _____

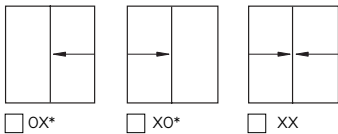
Utilize this form to assist you in covering the details required to quote a DW Series Sliding Service Window. Going through this exercise should prevent you from overlooking any details related to your installation.

IMPORTANT: Depending on the complexity of your project, one or more of the following may be required to accurately order: sketches or drawings of your particular application with dimensions; printed architectural drawings or CAD files; photos of the job site conditions (digital images are preferable).

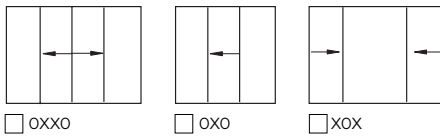
NOTE: Please download and submit completed form to transaction@crlaurence.com. A final sign off is required prior to any custom fabrication.

Specifications

Available Configurations:



*Configuration Determined From Clerk Side



GLAZING

Thickness 1/4" (6 mm) 1/2" (12 mm)

Type Tempered Wire Tinted Laminated Insulating: 1/2" (12 mm) or 5/8" (16 mm)

SCREEN

With Or Without

FINISH

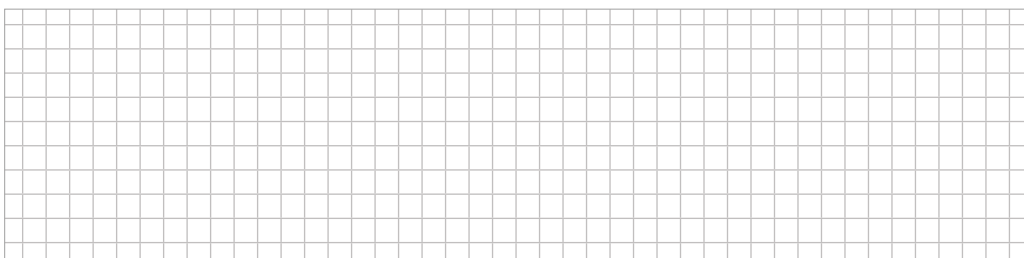
Satin Anodized Duranodic Bronze RAL Powder Paint (Specify Color) _____ Custom Kynar Paint (Specify Color) _____

OPTIONS

Keyed Lock Burglar Bar (Select Models) Full Bottom Track Open Counter Area Deal Tray Stainless Steel Shelf Laminated Shelf Surrounding Frames to Form Side Lites Transoms to Fill Large Openings Fly Fan Switch

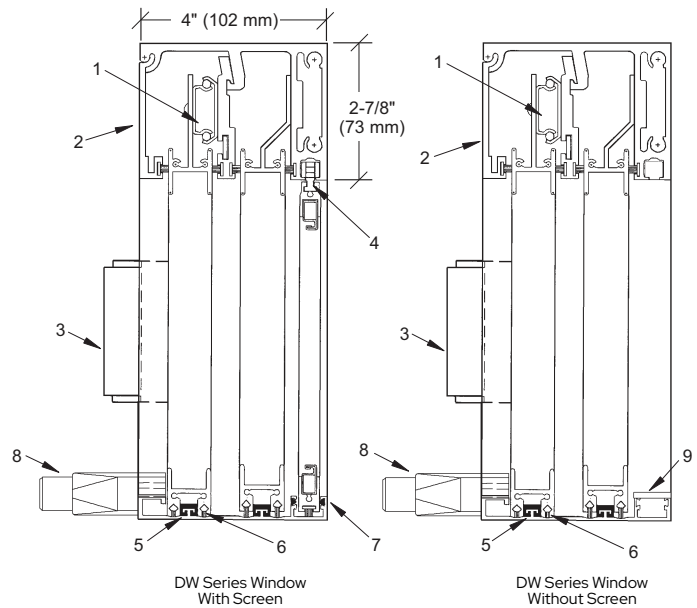
FRAME SIZE (WIDTH X HEIGHT)

LAYOUT GRID TO SKETCH DESIGN



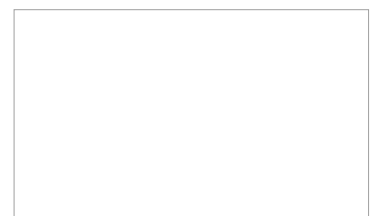
RESET BUTTON

Works for interior & exterior applications



1. Heavy-Duty Anti-Lift Ball Bearing Carrier
2. Removable Header Access Panel
3. Self-Latching Handle
4. Screen Rides on Nylon Rollers
5. Vinyl Track (No Metal-to-Metal Rubbing)
6. Poly-Pile Weatherstripping with Fin
7. Vinyl Guides for Screen (No Metal-to-Metal Rubbing)
8. Optional Keyed Lock
9. Channel Cap on No-Screen Models

NOTES



Please submit to: transaction@crlaurence.com

