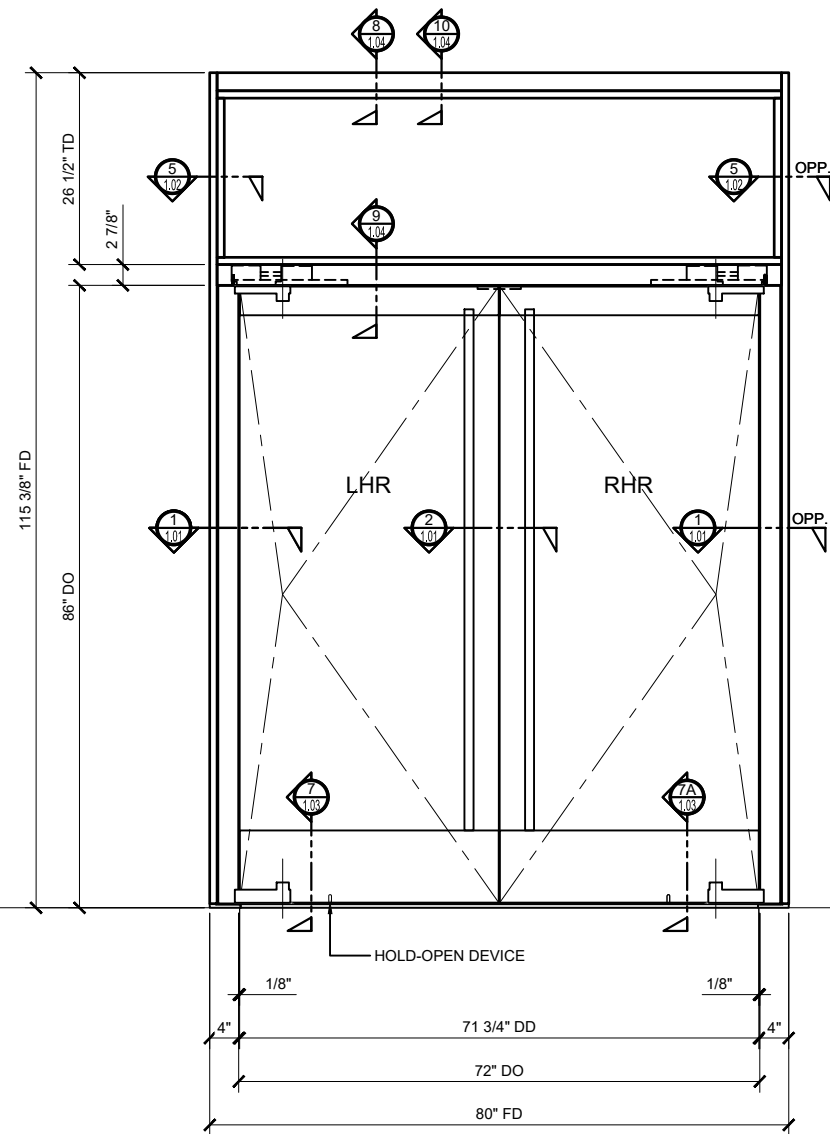


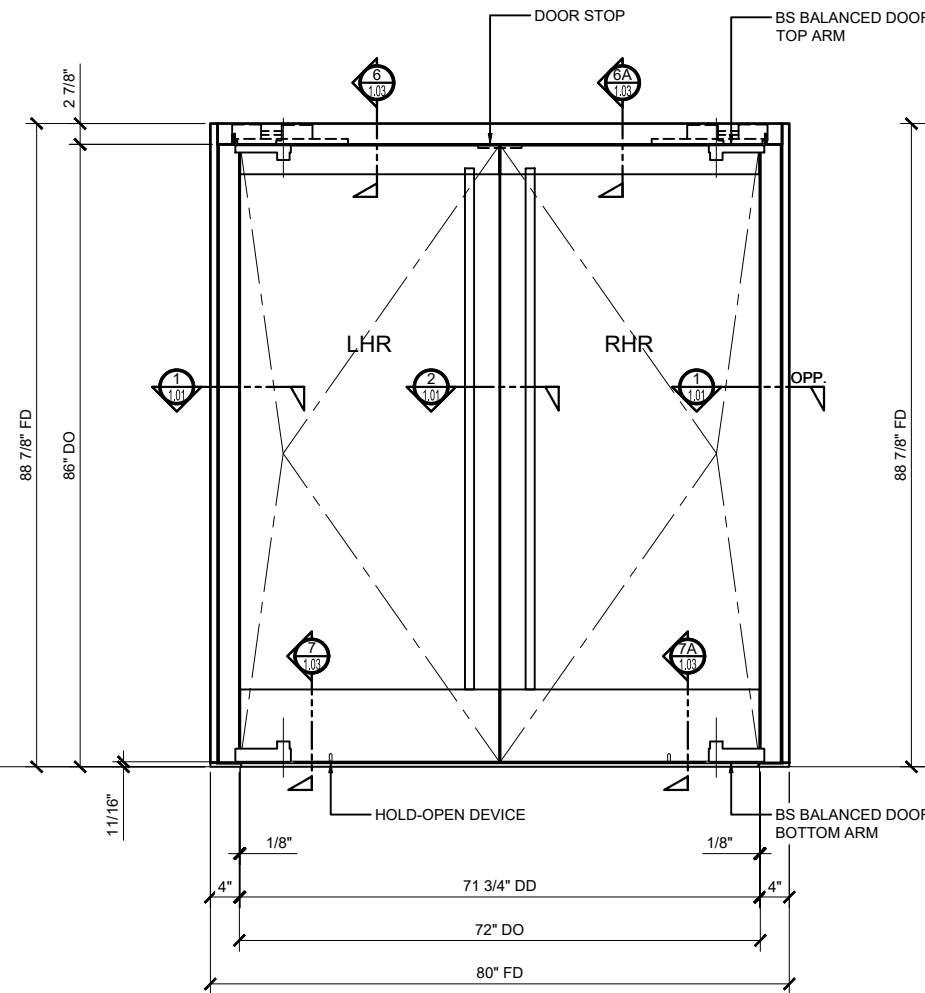
**CRL BALANCER SERIES BALANCED DOOR  
ALUMINUM ALL GLASS WITH EXPOSED SHAFT**

**STRUCTURAL DISCLAIMER:**

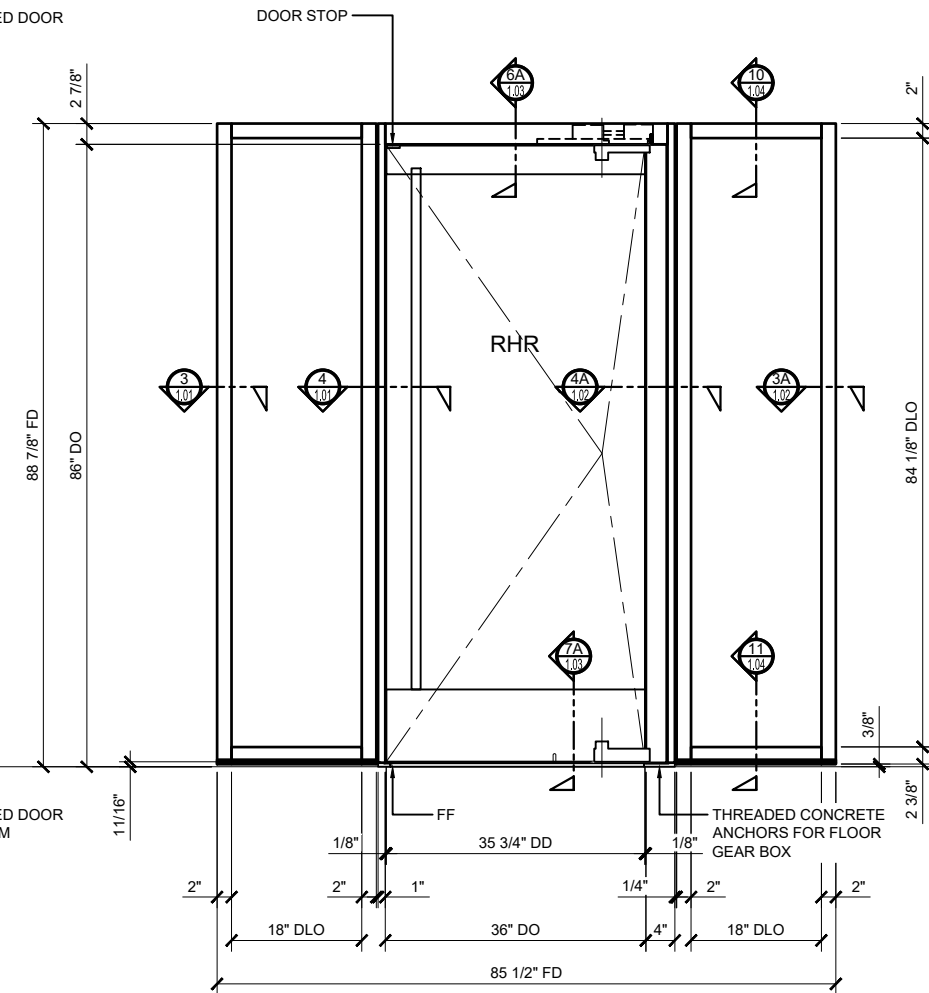
ALL CUSTOMERS WHO IN ANY WAY UTILIZE THIS PRODUCT ARE SOLELY RESPONSIBLE TO CONSULT A STRUCTURAL ENGINEER TO DETERMINE THE SUITABILITY OF THE PRODUCT FOR THE INTENDED USE AND SITE CONDITIONS. ALL INSTALLERS MUST BE QUALIFIED AND HAVE PROFESSIONAL KNOWLEDGE ABOUT COMPLIANCE WITH LOCAL, STATE AND FEDERAL REGULATIONS, SAFETY FACTORS, AND THE APPROPRIATE CHOICE OF FIXING MATERIAL AND PROCEDURES.



**CRL BALANCER SERIES BALANCED DOOR  
ALUMINUM ALL GLASS WITH EXPOSED SHAFT  
PAIR DOORS WITH TRANSOM ELEVATION**

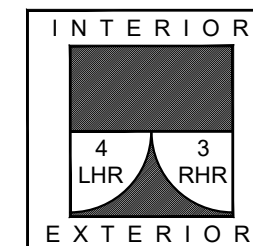


**CRL BALANCER SERIES BALANCED DOOR  
ALUMINUM ALL GLASS WITH EXPOSED SHAFT  
PAIR DOORS ELEVATION**



**CRL BALANCER SERIES BALANCED DOOR  
ALUMINUM ALL GLASS WITH EXPOSED SHAFT  
SINGLE DOOR WITH SIDELITE ELEVATION**

**DOOR SWING CHART**



**STANDARD ABBREVIATIONS**

RO	ROUGH OPENING
FD	FRAME DIMENSION
DLO	DAYLIGHT OPENING
DO	DOOR OPENING
DD	DOOR DIMENSION
TD	TRANSOM DIMENSION
FF	FLOOR FIDDING

Revisions By:

**CRL**

2503 E. Vernon Avenue, Los Angeles, CA 90058-1897  
PH (800)-421-6144 FX: 800-387-7501 www.crlaurence.com

Description:  
CRL BALANCER SERIES  
BALANCED DOOR  
ALUMINUM ALL GLASS

Drawn By: TGM  
Date: 11/15/18  
Scale: AS NOTED  
File Name: BS BD - ALUM ALL GLASS.dwg

Sheet

Revisions By:

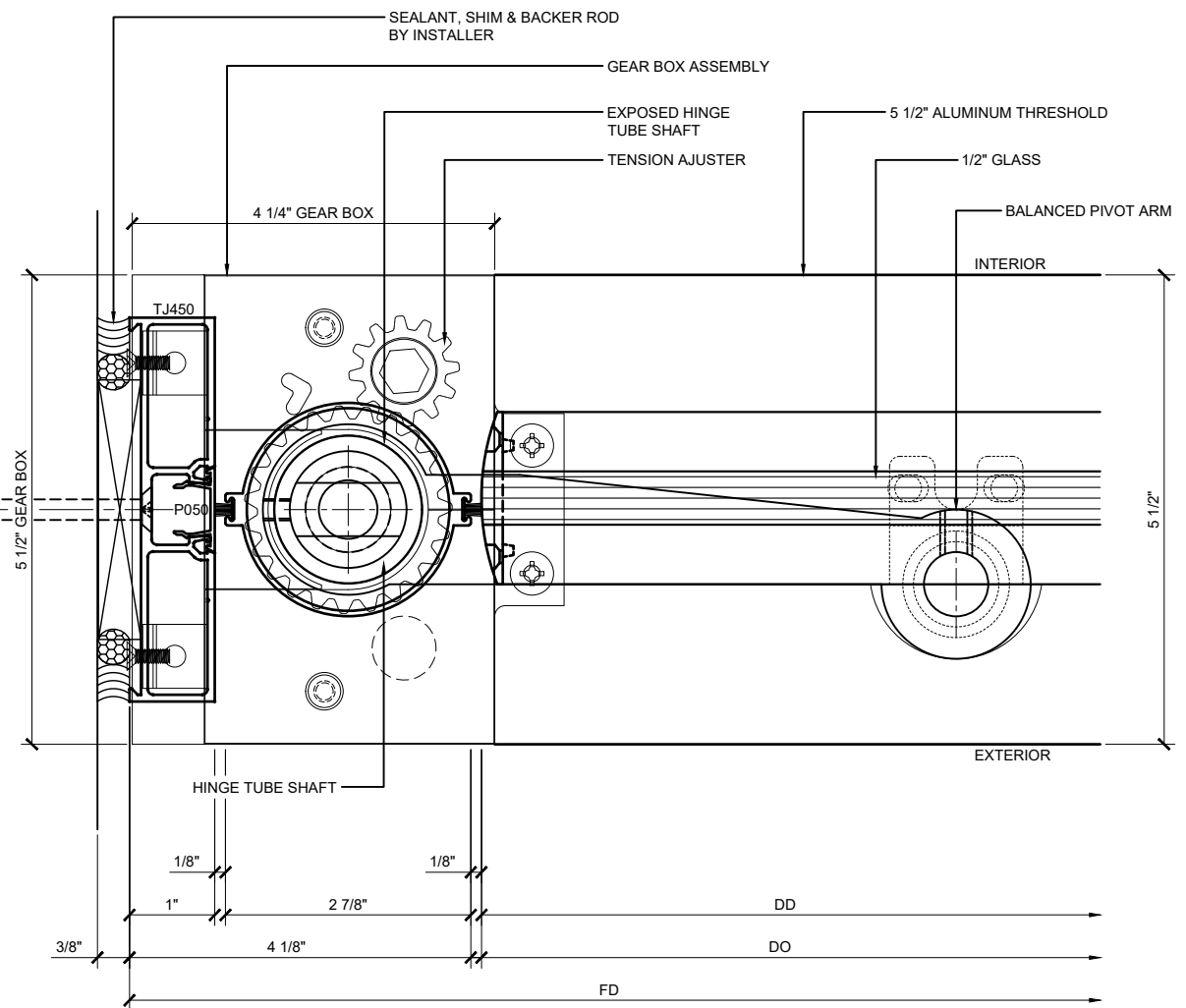
# CRL

2503 E. Vernon Avenue, Los Angeles, CA 90058-1897  
PH (800)-421-6144 FX: 800-587-7501 www.crlaurence.com

Description:  
CRL BALANCER SERIES  
BALANCED DOOR  
ALUMINUM ALL GLASS

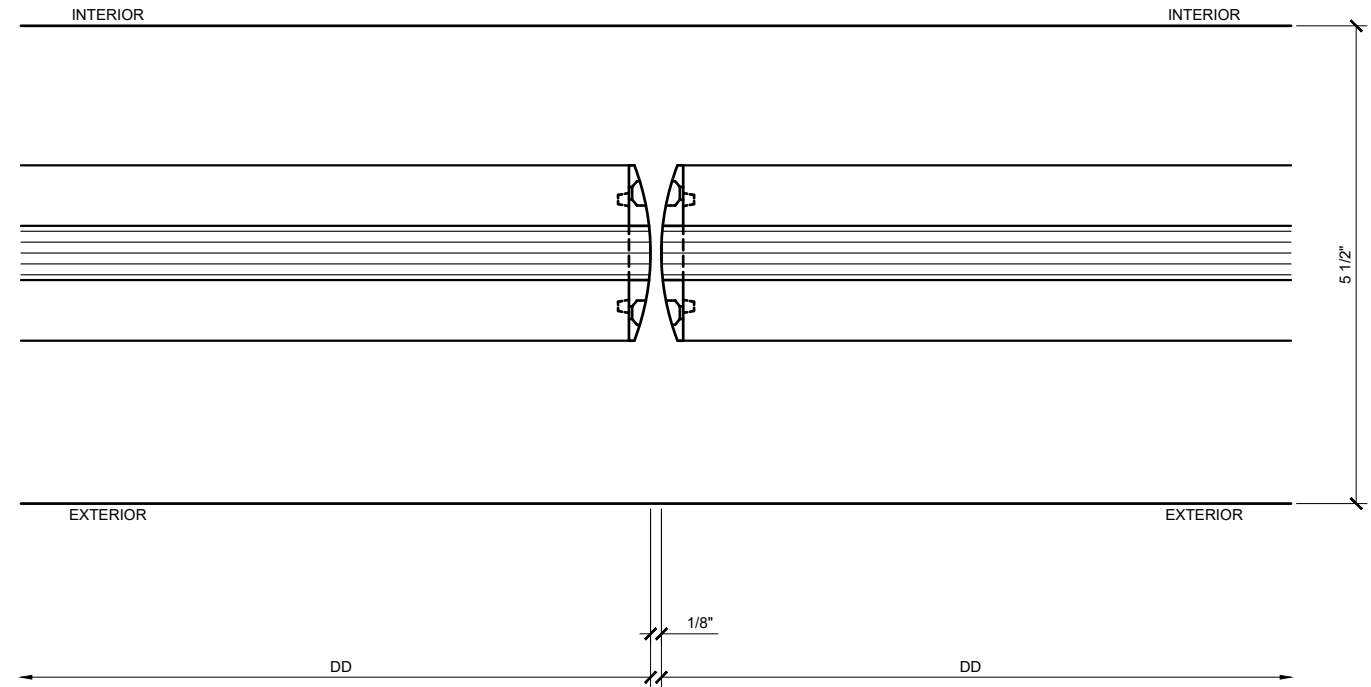
Drawn By: TGM  
Date: 11/15/18  
Scale: AS NOTED  
File Name:  
BS BD - ALUM ALL GLASS.dwg  
Sheet

## 1.01



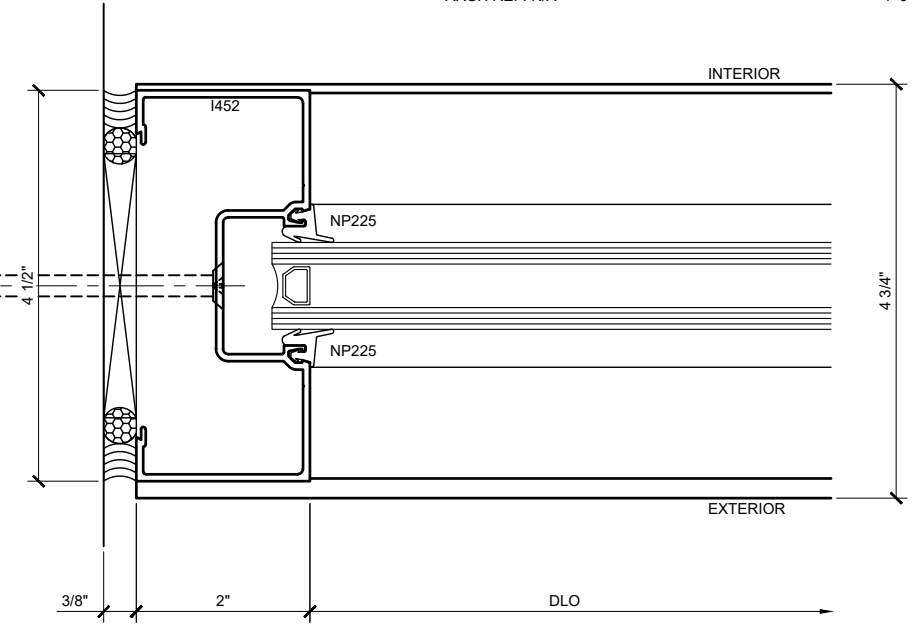
### 1 DOOR PIVOT JAMB DETAIL

ARCH REF: N/A 1'-0"=1'-0"



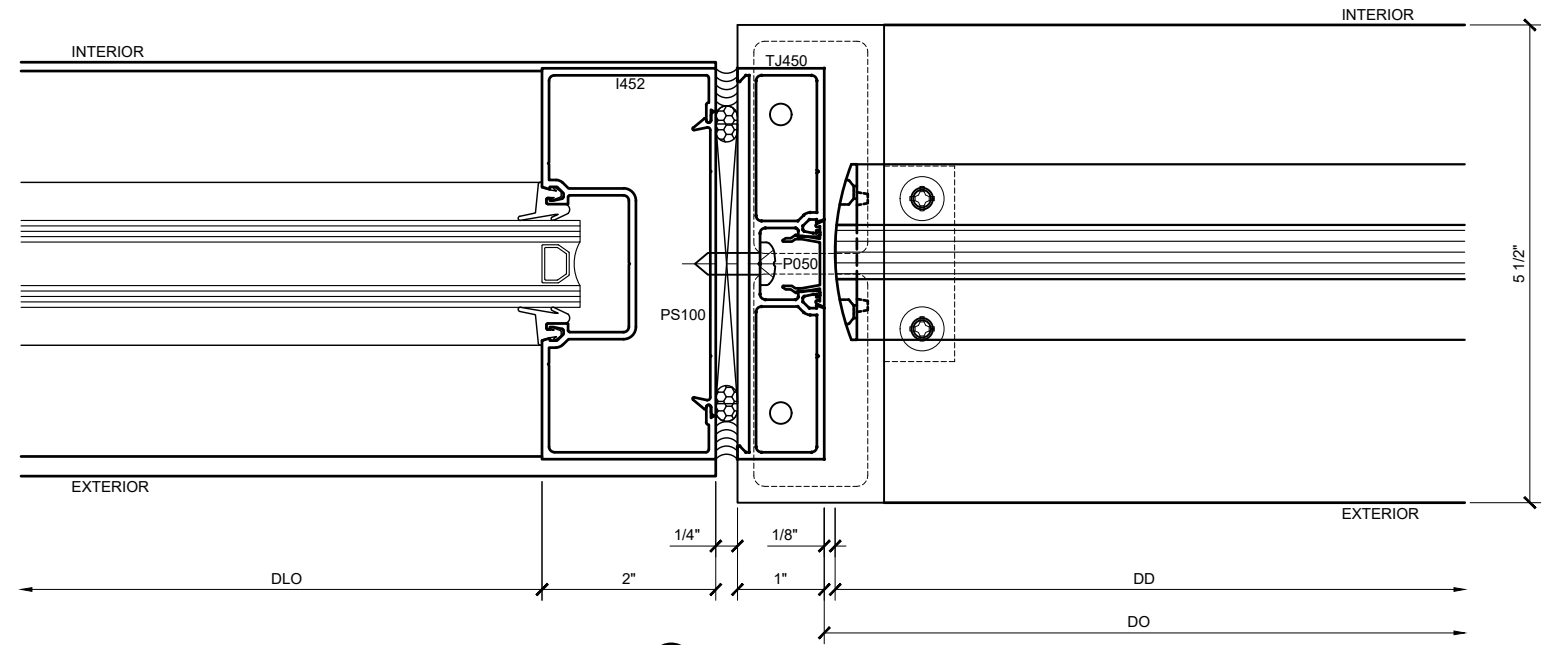
### 2 MEETING STILES DATAL

ARCH REF: N/A 1'-0"=1'-0"



### 3 JAMB DETAIL AT SIDELITE

ARCH REF: N/A 1'-0"=1'-0"



### 4 DOOR STRIKE JAMB AT SIDELITE DETAIL

ARCH REF: N/A 1'-0"=1'-0"

## BALANCER SERIES ALUMINUM ALL GLASS BALANCED DOORS DETAILS / 4-1/2" JAMB / EXPOSED SHAFT

Revisions By:

# CRL

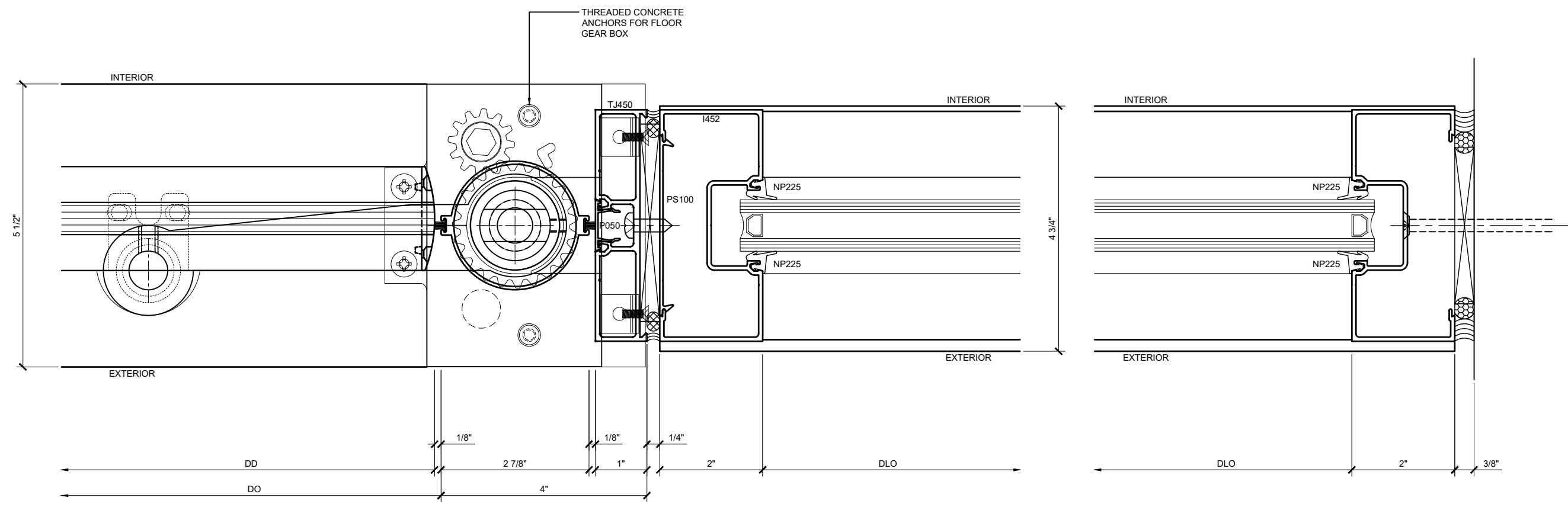
2503 E. Vernon Avenue, Los Angeles, CA 90058-1897  
PH (800)-421-6144 FX: 800-587-7501 www.crlaurence.com

Description:  
CRL BALANCER SERIES  
BALANCED DOOR  
ALUMINUM ALL GLASS

Drawn By: TGM  
Date: 11/15/18  
Scale: AS NOTED  
File Name:  
BS BD - ALUM ALL GLASS.dwg

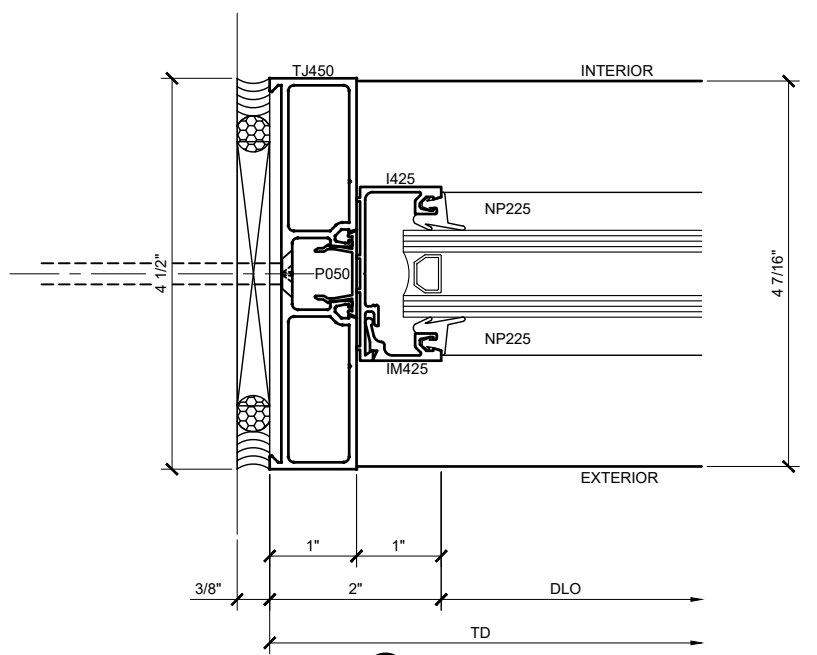
Sheet

## 1.02



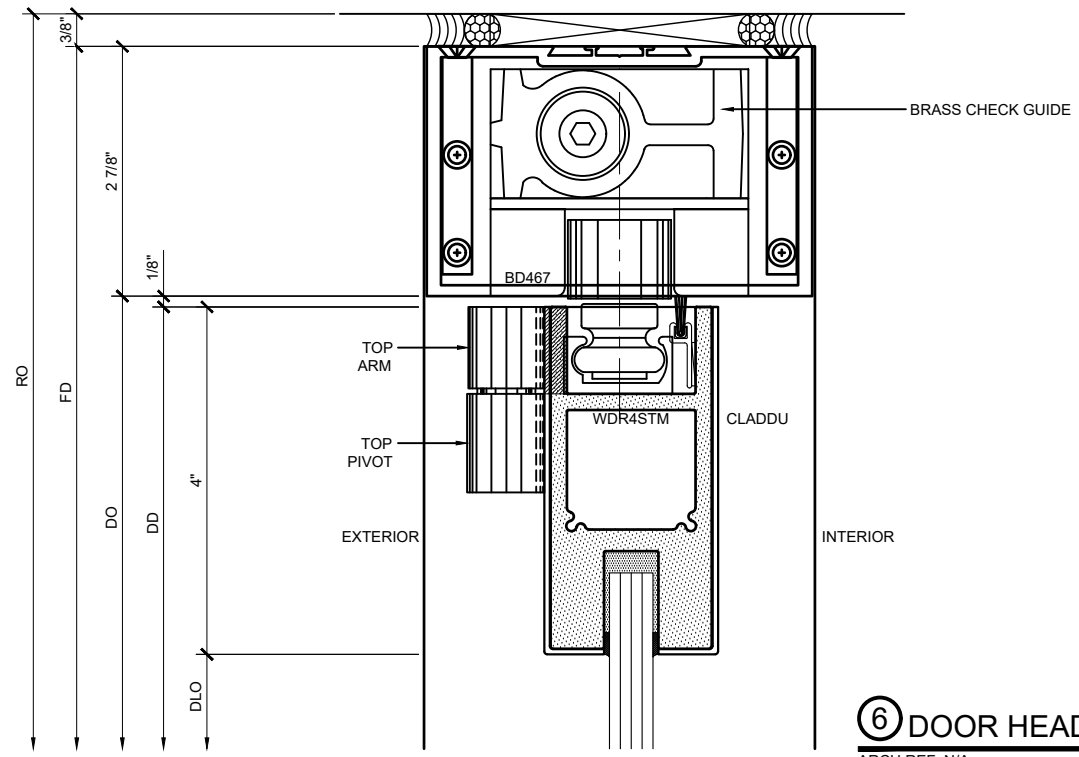
**4A DOOR PIVOT JAMB SIDELITE DETAIL**  
ARCH REF: N/A 1'-0"=1'-0"

**3A JAMB DETAIL**  
ARCH REF: N/A 1'-0"=1'-0"

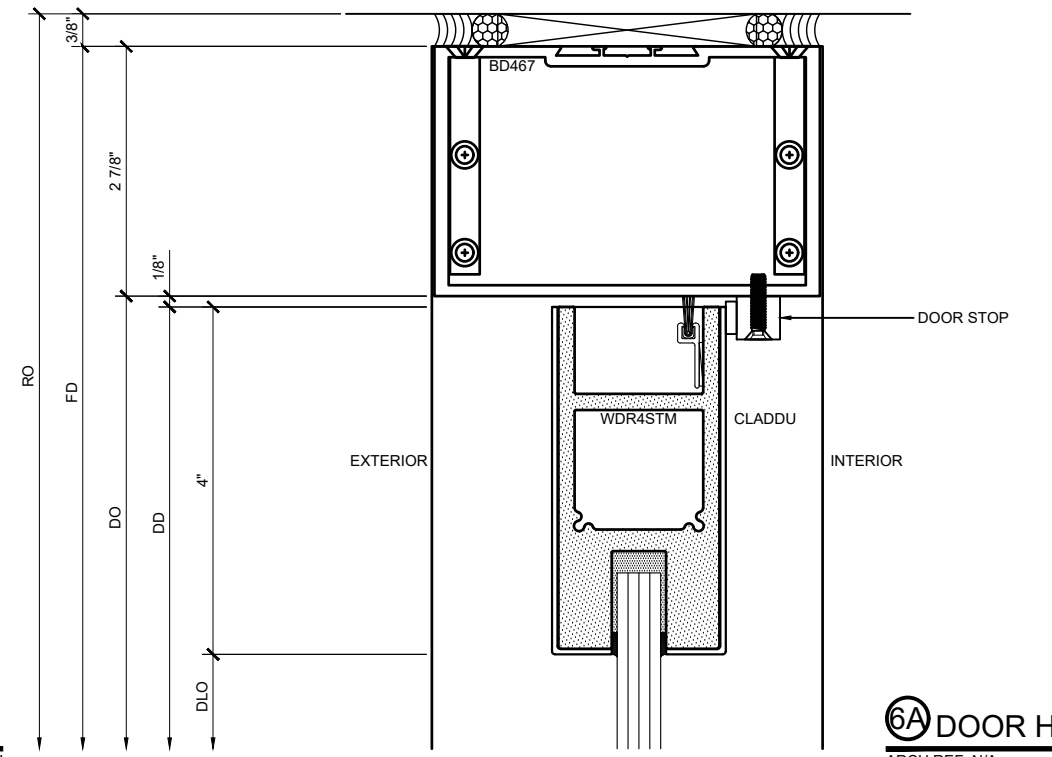


**5 TRANSOM DETAIL**  
ARCH REF: N/A 1'-0"=1'-0"

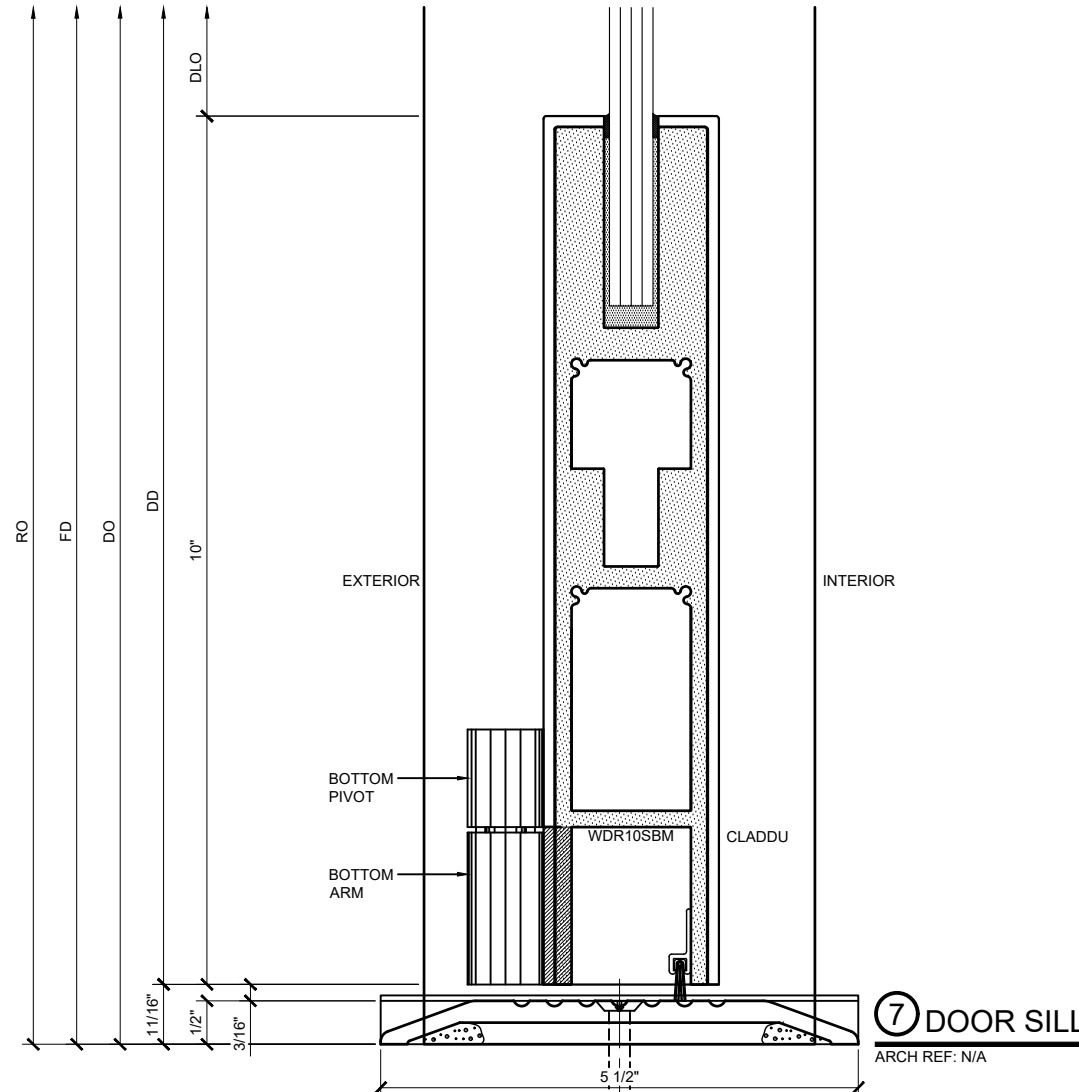
### BALANCER SERIES ALUMINUM ALL GLASS BALANCED DOORS DETAILS / 4-1/2" JAMB / EXPOSED SHAFT



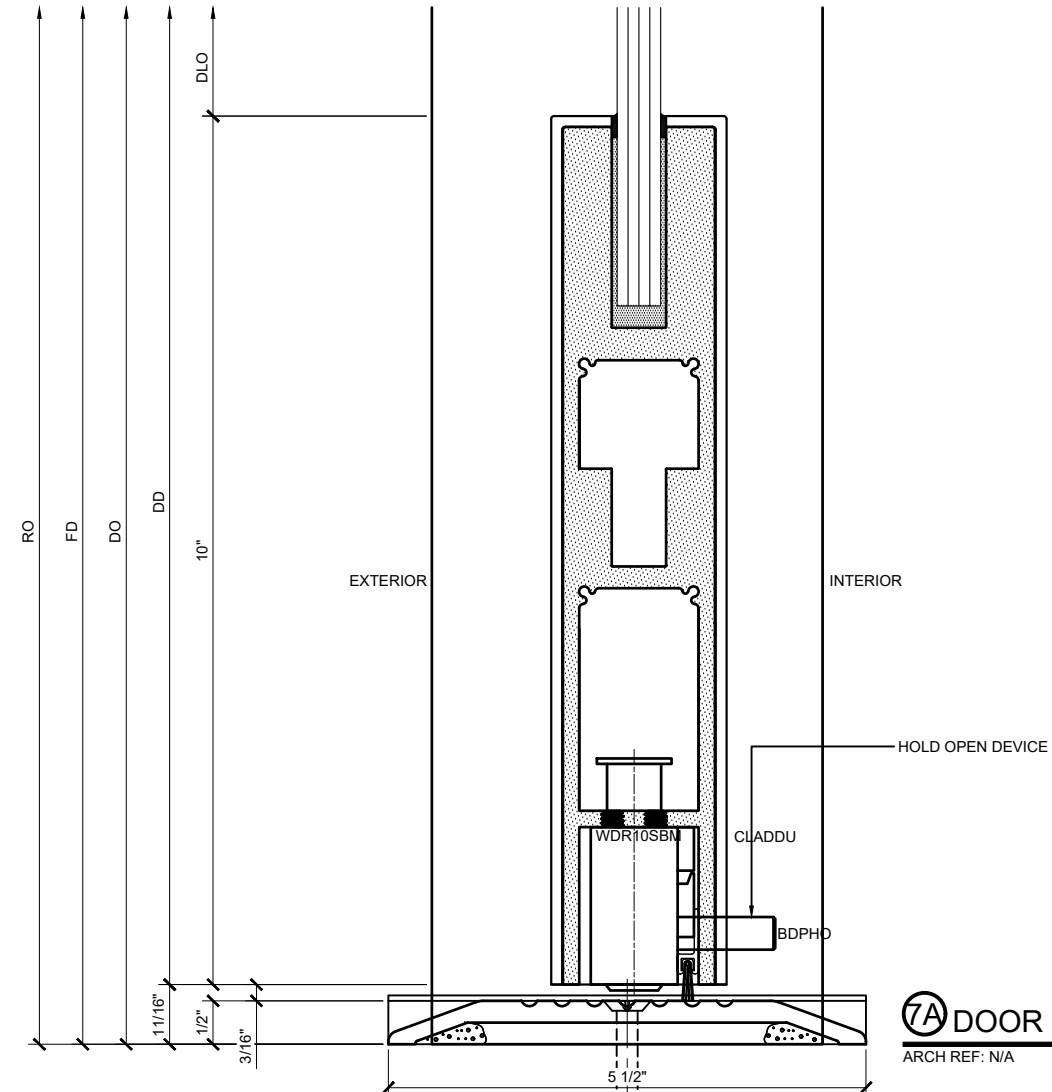
**6** DOOR HEAD DETAIL  
 ARCH REF: N/A 1'-0"=1'-0"



**6A** DOOR HEAD DETAIL  
 ARCH REF: N/A 1'-0"=1'-0"



**7** DOOR SILL DETAIL  
 ARCH REF: N/A 1'-0"=1'-0"



**7A** DOOR SILL DETAIL  
 ARCH REF: N/A 1'-0"=1'-0"

**BALANCER SERIES ALUMINUM ALL GLASS BALANCED DOORS DETAILS / 4-1/2" JAMB / EXPOSED SHAFT**

Revisions By:



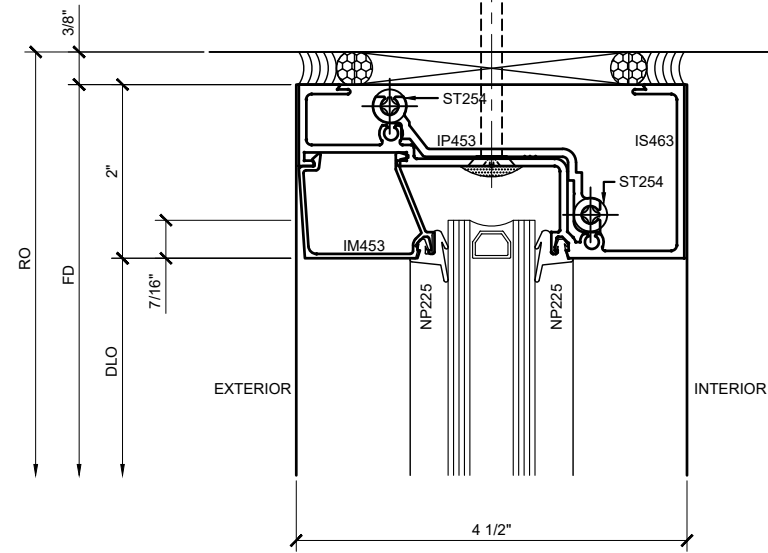
2503 E. Vernon Avenue, Los Angeles, CA 90058-1897  
 PH (800)-421-6144 FX: 800-387-7501 www.crlaurence.com

Description:  
 CRL BALANCER SERIES  
 BALANCED DOOR  
 ALUMINUM ALL GLASS

Drawn By: TGM  
 Date: 11/15/18  
 Scale: AS NOTED  
 File Name: BS BD - ALUM ALL GLASS.dwg

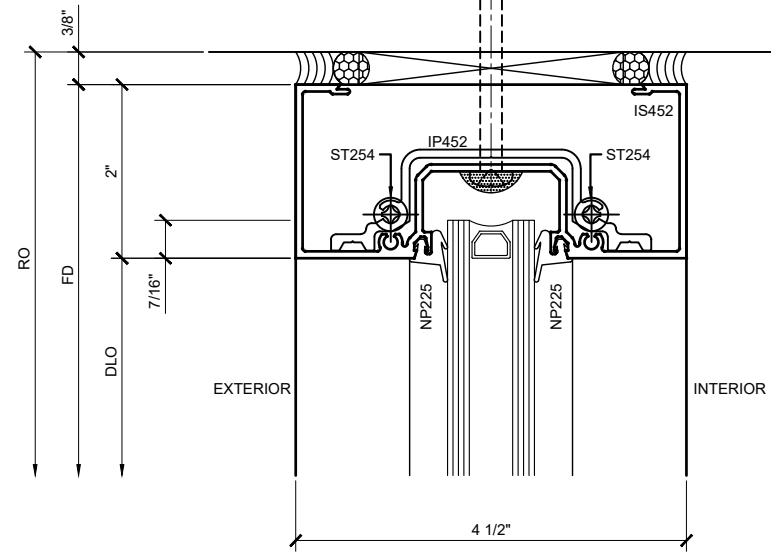
Sheet

1.03



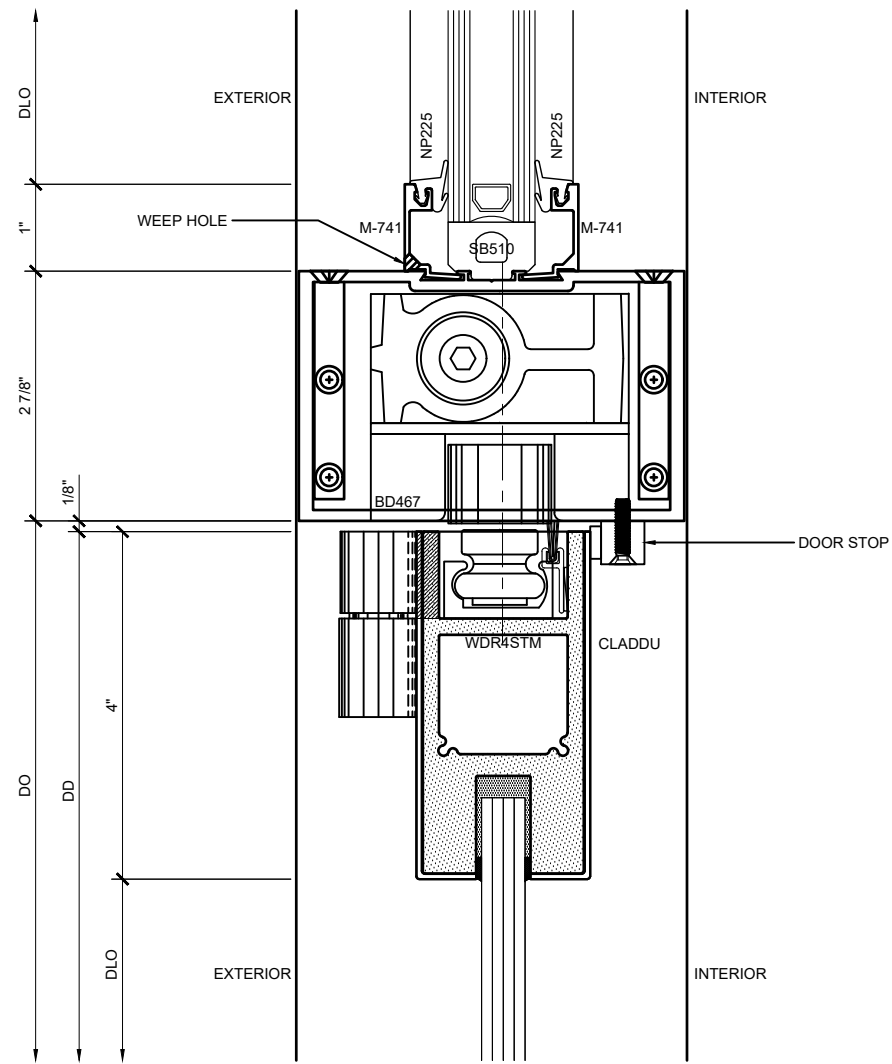
**⑧ HEAD DETAIL**

ARCH REF: N/A 1'-0"=1'-0"



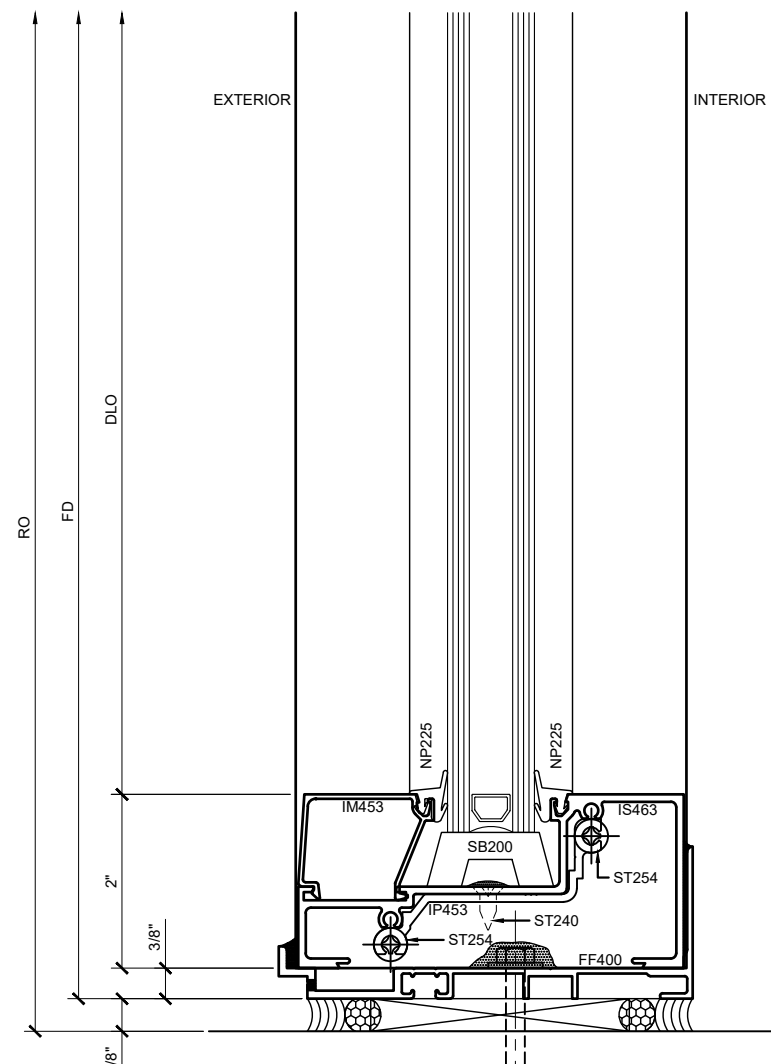
**⑩ HEAD DETAIL**

ARCH REF: N/A 1'-0"=1'-0"



**⑨ DOOR HEAD DETAIL AT TRANSOM**

ARCH REF: N/A 1'-0"=1'-0"



**⑪ SILL DETAIL AT SIDELITE**

ARCH REF: N/A 1'-0"=1'-0"

Revisions By:

**CRL**

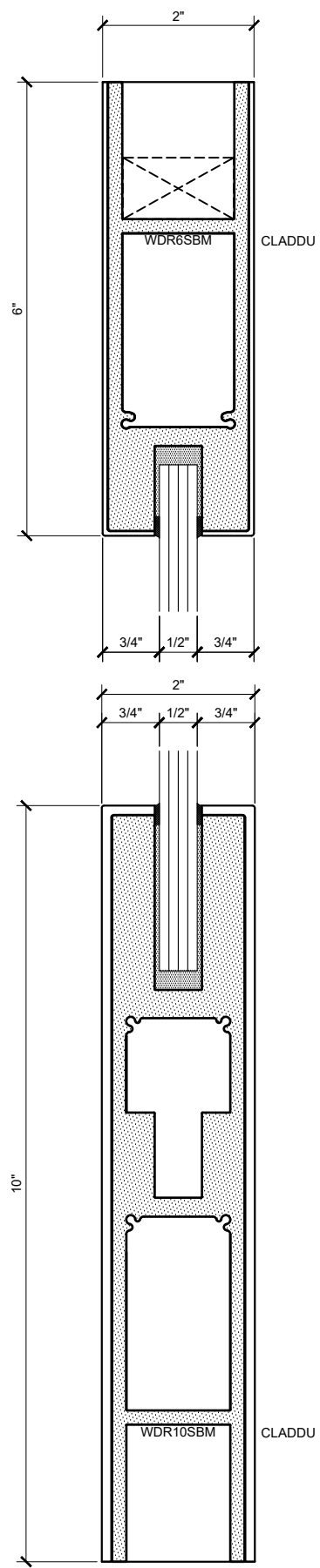
2503 E. Vernon Avenue, Los Angeles, CA 90058-1897  
PH (800)-421-6144 FX: 800-587-7501 www.crlaurence.com

Description:  
CRL BALANCER SERIES  
BALANCED DOOR  
ALUMINUM ALL GLASS

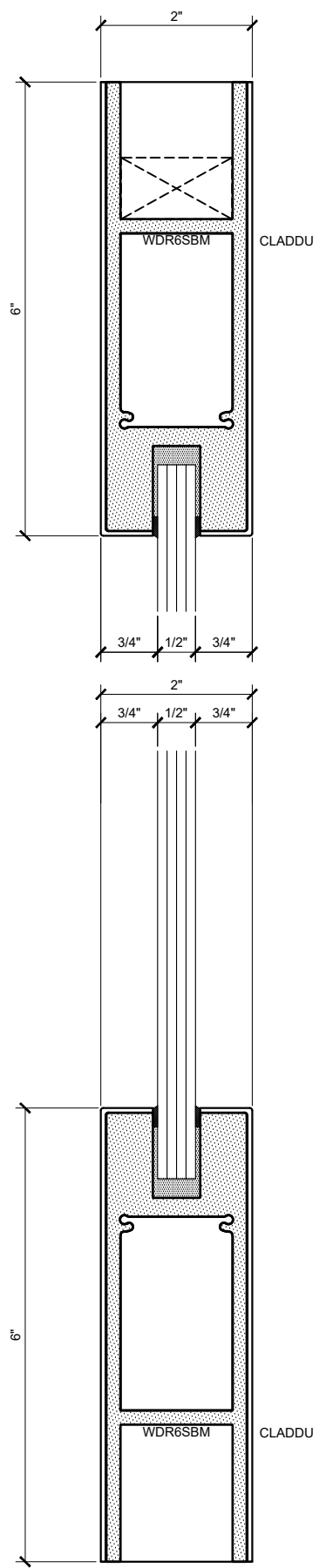
Drawn By: TGM  
Date: 11/15/18  
Scale: AS NOTED  
File Name:  
BS BD - ALUM ALL GLASS.dwg

Sheet

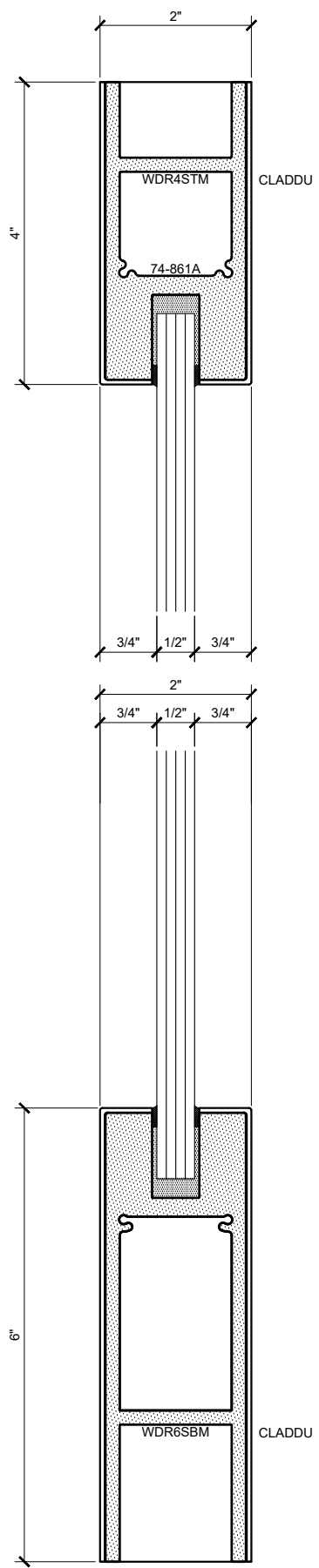
1.04



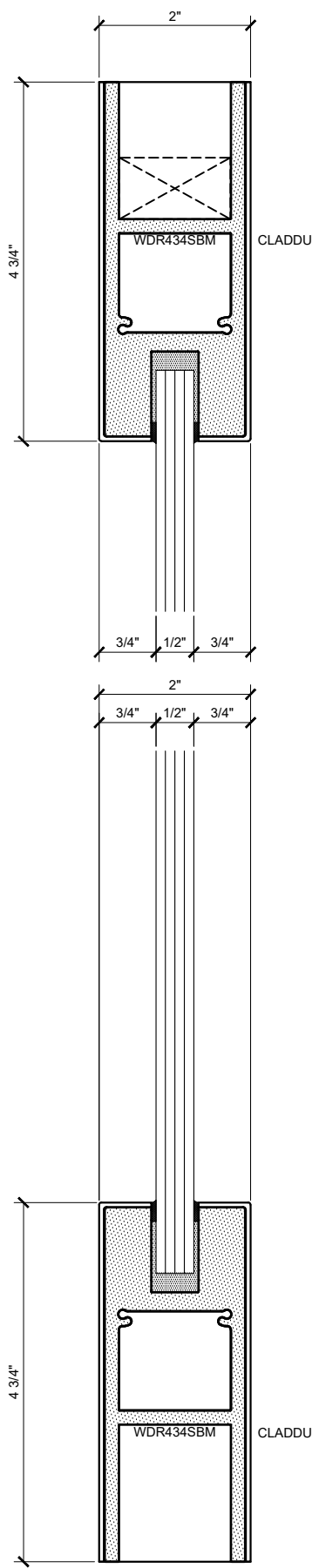
**OPTION 1**



**OPTION 2**



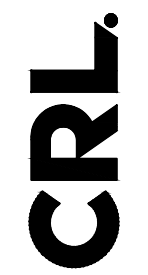
**OPTION 3**



**OPTION 4**

**STANDARD RAILS - GLASS OPTIONS: 3/4", 9/16", 1/2", THICK GLASS (SHOWN WITH 1/2" THICK GLASS)**

Revisions By:



2503 E. Vernon Avenue, Los Angeles, CA 90058-1897  
PH (800)-421-6144 FX: 800-587-7501 www.crlaurence.com

Description:  
CRL BALANCER SERIES  
BALANCED DOOR  
ALUMINUM ALL GLASS

Drawn By: TGM  
Date: 11/15/18  
Scale: AS NOTED  
File Name: BS BD - ALUM ALL GLASS.dwg

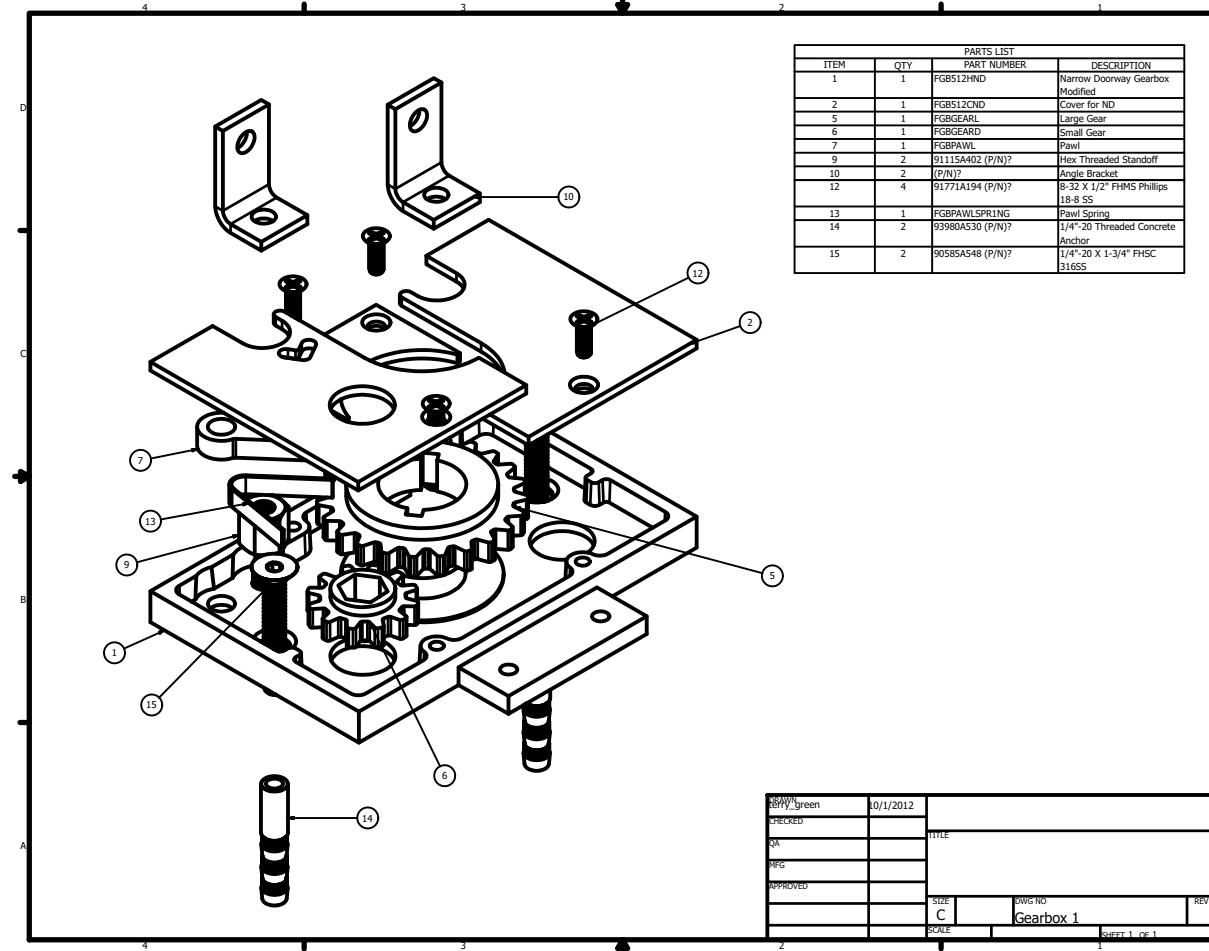
Sheet

1.05

Revisions By:

**CRL**

2503 E. Vernon Avenue, Los Angeles, CA 90058-1897  
 PH (800)-421-6144 FX: 800-587-7501 www.crlaurence.com



PARTS LIST			
ITEM	QTY	PART NUMBER	DESCRIPTION
1	1	FGBS12HND	Narrow Doorway Gearbox Modified
2	1	FGBS12CND	Cover for ND
5	1	FGBGEARL	Large Gear
6	1	FGBGEAR	Small Gear
7	1	FGBPAWL	Pawl
9	2	91115A402 (P/N)?	Hex Threaded Standoff
10	2	(P/N)?	Angle Bracket
12	4	91771A194 (P/N)?	8-32 X 1/2" FHMS Phillips 18-8 SS
13	1	FGBPAWLSPRING	Pawl Spring
14	2	93980A530 (P/N)?	1/4"-20 Threaded Concrete Anchor
15	2	90585A548 (P/N)?	1/4"-20 X 1-3/4" FHSC 316SS

DESIGNED	10/11/2012		
CHECKED		TITLE	
QA			
REG			
APPROVED			
		SIZE	DWG NO
		C	Gearbox 1
		SCALE	SHEET 1 OF 1

Description:  
 CRL BALANCER SERIES  
 BALANCED DOOR  
 ALUMINUM ALL GLASS

Drawn By: TGM  
 Date: 11/15/18  
 Scale: AS NOTED  
 File Name: BS BD - ALUM ALL GLASS.dwg

Sheet  
 2.01