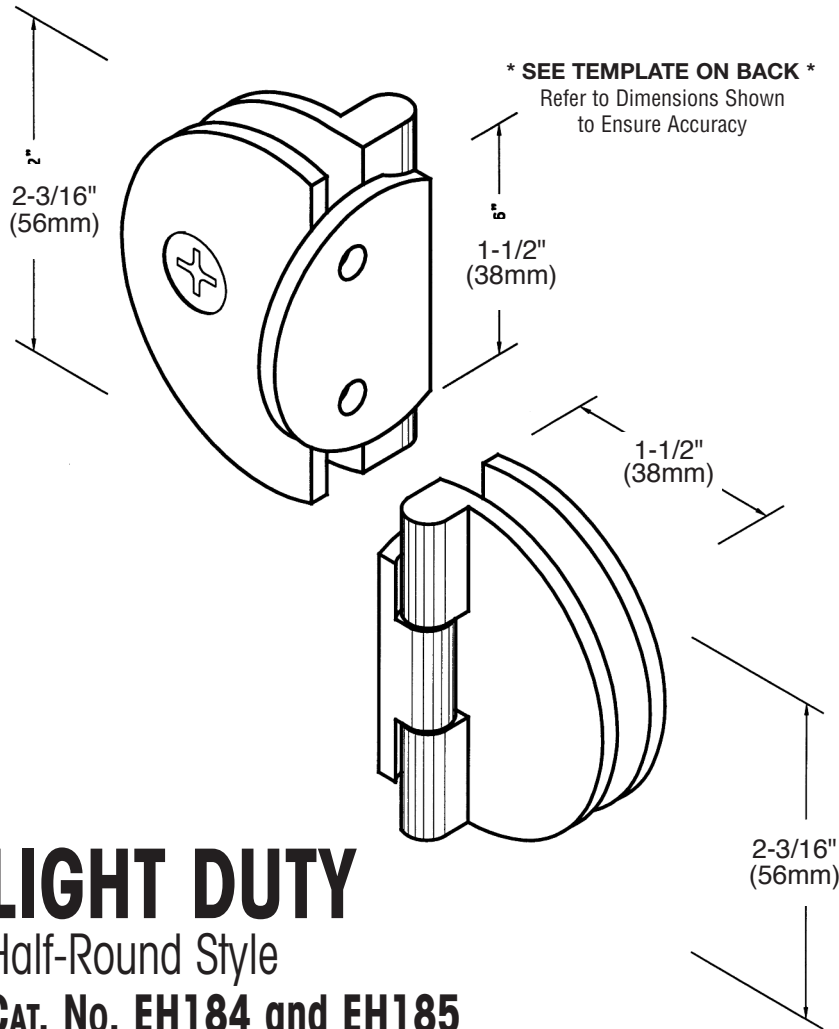




C.R. LAURENCE CO., INC.
PROFESSIONAL QUALITY



Specifications:

Glass Sizes: 1/4" (6mm) to 5/16" (8mm) thick tempered safety glass

Construction: Solid brass

Closing Type: Free swinging

1/2" Diameter Hole Required (No Cutout)

Includes: Gaskets

Use of Gaskets:

For 1/4"(6mm) Glass: Use one gasket on each side

For 5/16"(8mm) Glass: Use one gasket on each side

Recommendations:

For public safety, we recommend the use of only tempered safety glass.

Do not use power tools when installing these hinges.

LIGHT DUTY

Half-Round Style

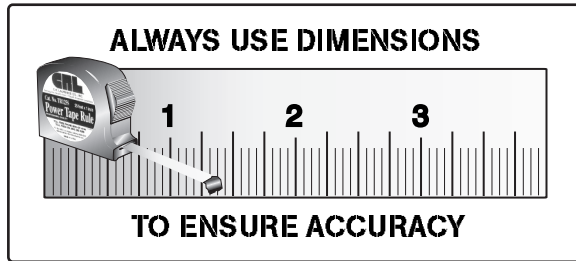
Cat. No. EH184 and EH185

*Maximum Door Capacities	1/4" (6mm) Glass		5/16" (8mm) Glass	
	Weight	Width	Weight	Width
Using 2 Hinges	50 lbs.(23 kg)	24"(610mm)	50 lbs.(23 kg)	24"(610mm)
Using 3 Hinges	75 lbs.(34 kg)	24"(610 mm)	75 lbs.(34 kg)	24"(610 mm)

*NOTE: Do not exceed either maximum weight or width when choosing proper quantity of hinges.



C.R. LAURENCE CO., INC.
PROFESSIONAL QUALITY



LIGHT DUTY

Half-Round Style

CAT. No. EH184 and EH185

