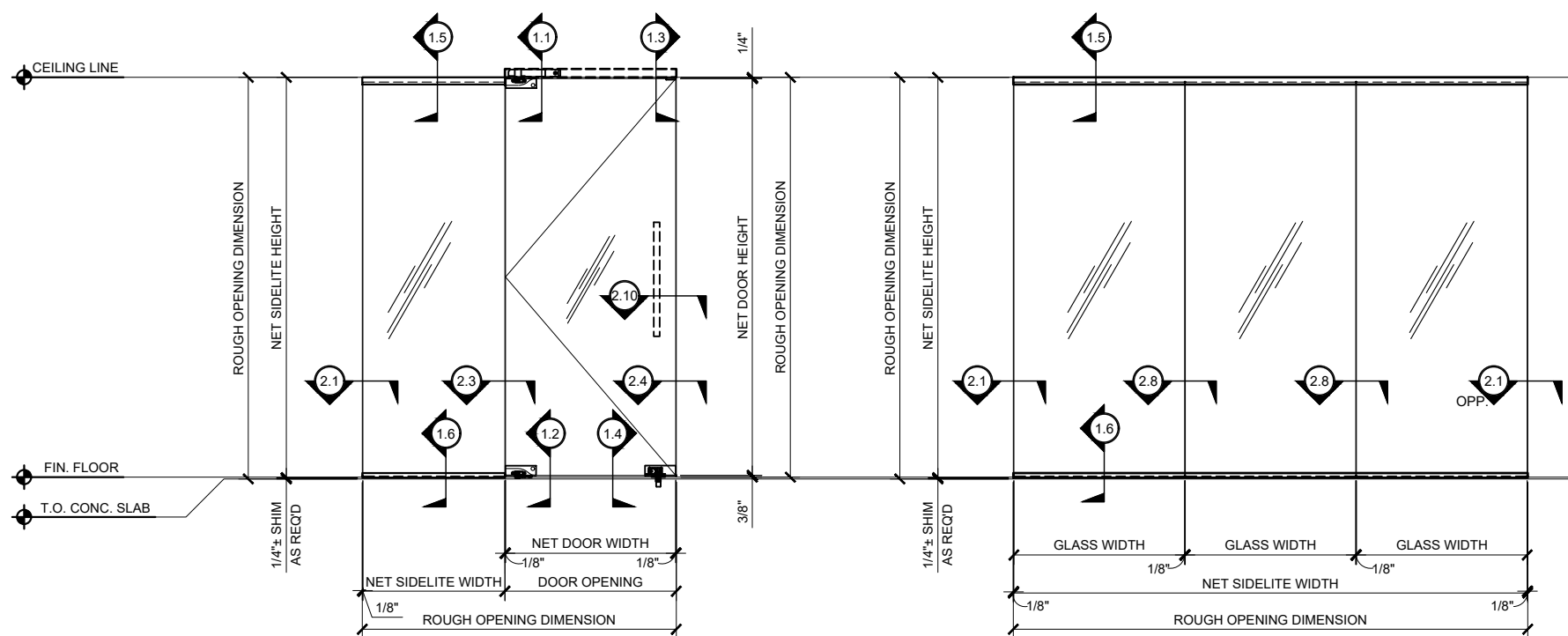


TYPICAL CASCADE ELEVATIONS

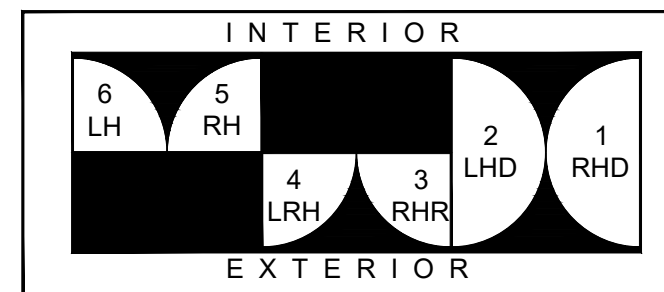


TYPICAL CASCADE ELEVATIONS

STANDARD "CASCADE GLASS" DOOR (HEIGHT) GUIDELINES
 3/8" (10mm) TEMPERED GLASS = 84" RECOMMENDED MAX HEIGHT
 1/2" (12mm) TEMPERED GLASS = 102" RECOMMENDED MAX HEIGHT

- * AN EXCELLENT CHOICE FOR "ALL-GLASS" ENTRANCES
- * PROVIDES FRAME LESS STOREFRONT APPEARANCE FOR UNOBSTRUCTED DISPLAY OF MERCHANDISE
- * ALLOWS COMBINATION OF AESTHETICS AND VERSATILITY
- * A COMPLETE SELECTION OF PRODUCTS INCLUDING PATCH FITTINGS, INSERTS AND PIVOTS, LEVER LOCKS & LATCHES, CONCEALED OVERHEAD & FLOOR CLOSERS, DOOR HANDLES, AND MANY MORE ACCESSORIES

DOOR SWING CHART

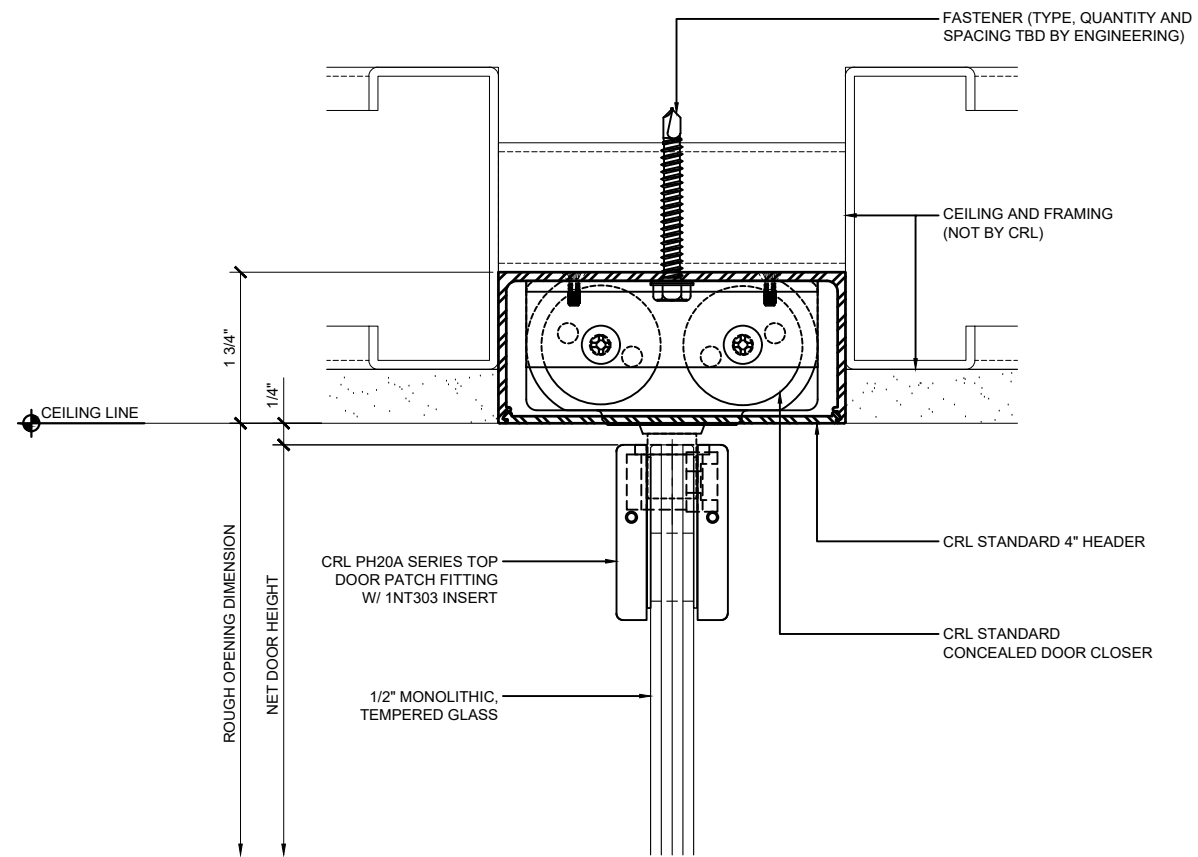


Description: CRL
 CASCADE
 GLASS WALL
 OFFICE
 SYSTEM

Drawn By: JG
 Date: 11/24/2014
 Scale: 3/4" = 1'-0"
 File Name: CRL CASCADE GLASS WALL OFFICE SYSTEM.dwg

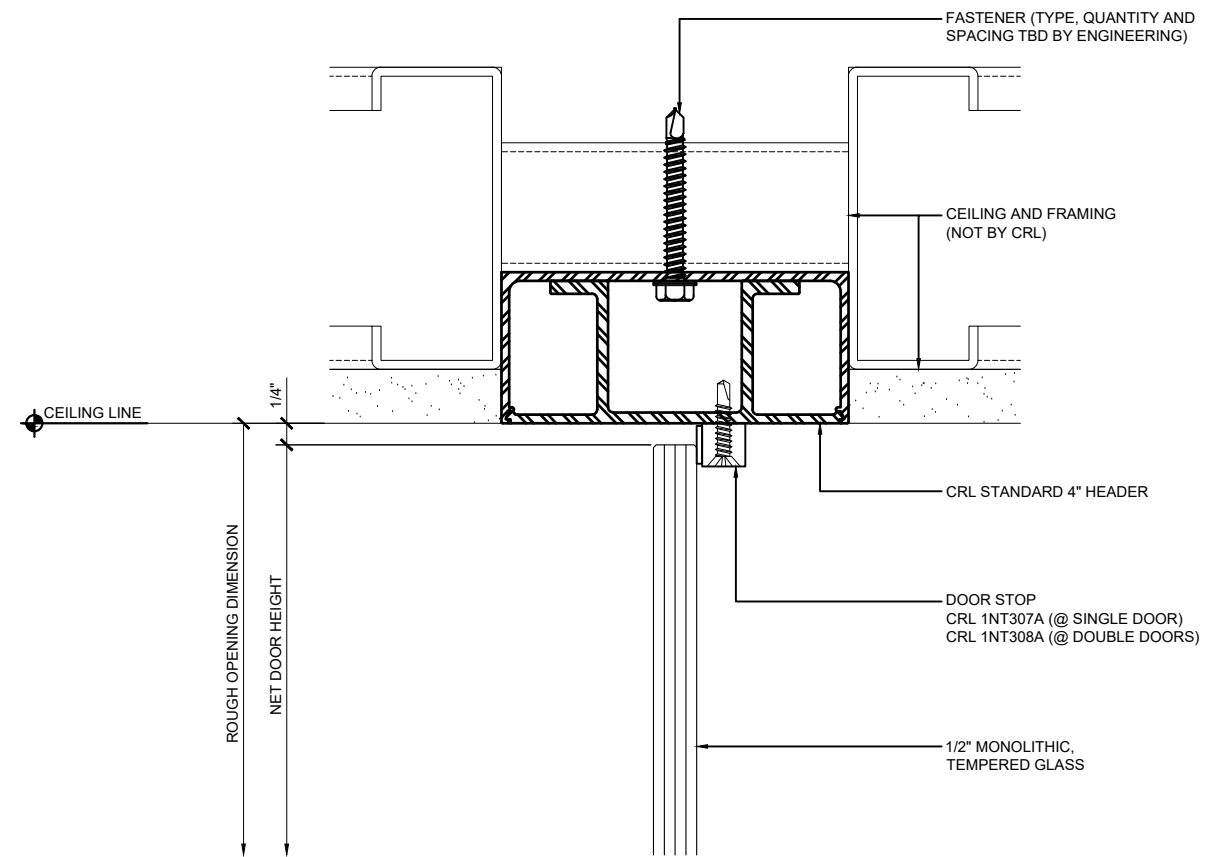
Sheet

1



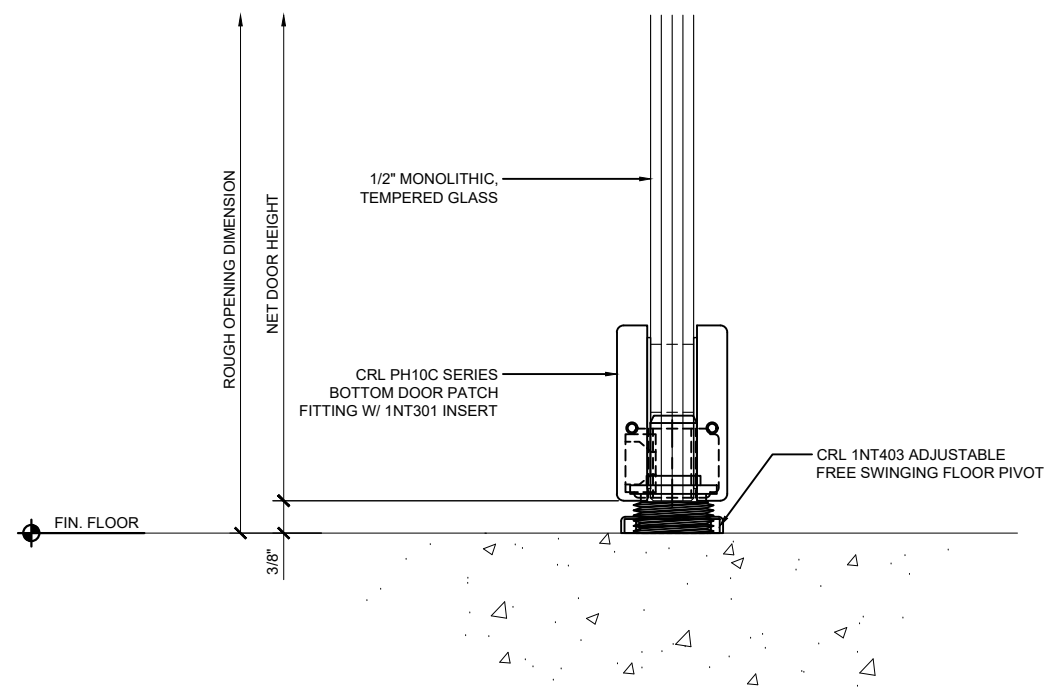
DOOR HEAD AT RECESSED CLOSER

1.1



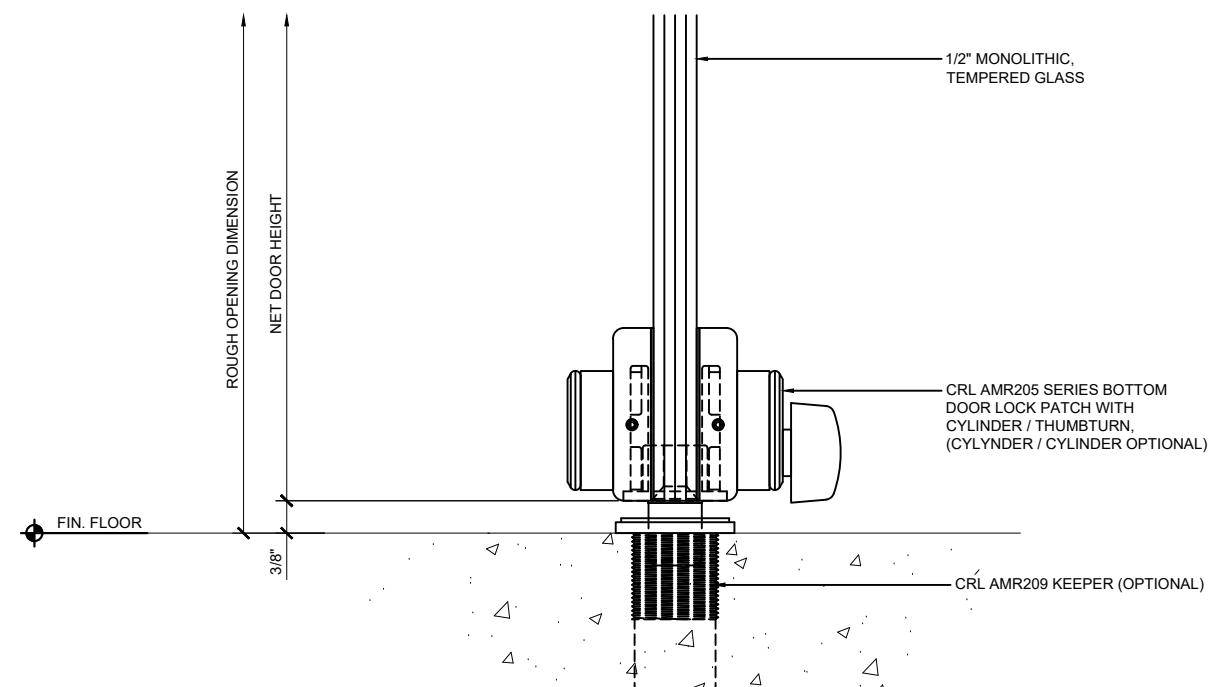
DOOR HEAD AT DOOR STOP

1.3



DOOR SILL AT PIVOT

1.2



DOOR SILL AT LOCK

1.4

Revisions By:

CRL
A CRH COMPANY

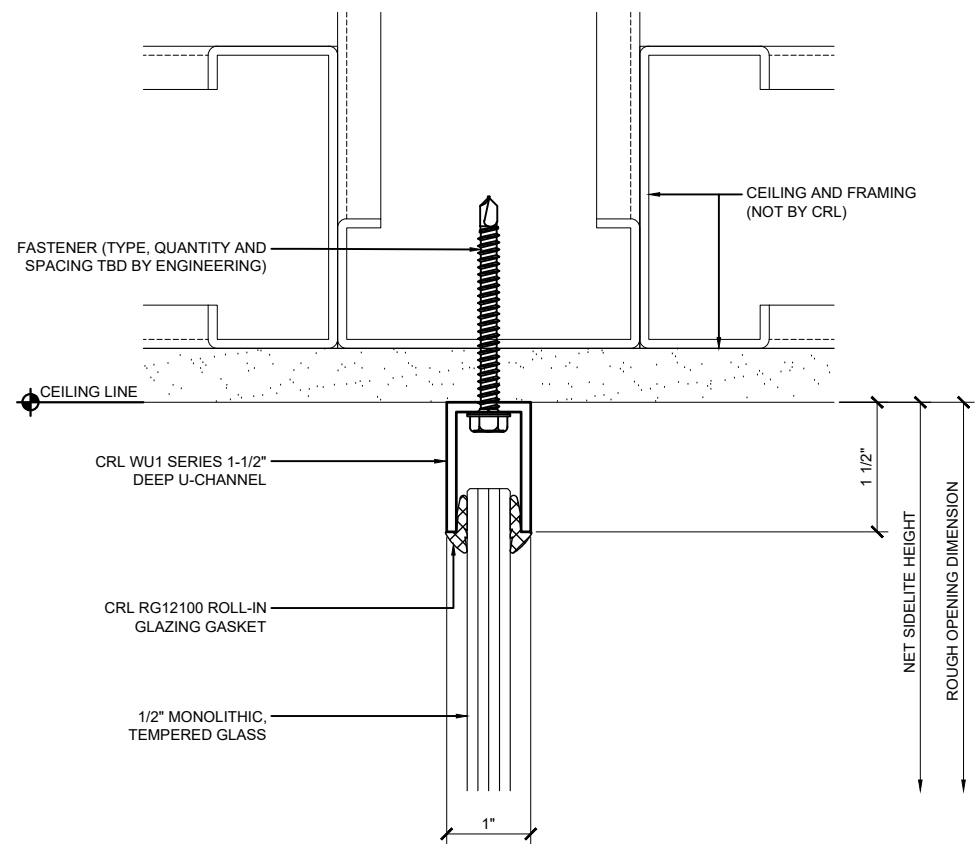
2503 E. Vernon Avenue, Los Angeles, CA 90058-1897
PH (800)-421-6144 FX: 800-587-7501 www.crlaurence.com

Description: CRL
CASCADE
GLASS WALL
OFFICE
SYSTEM

Drawn By: JG
Date: 11/24/2014
Scale: 1'-0" = 1'-0"
File Name: CRL CASCADE GLASS WALL OFFICE SYSTEM.dwg

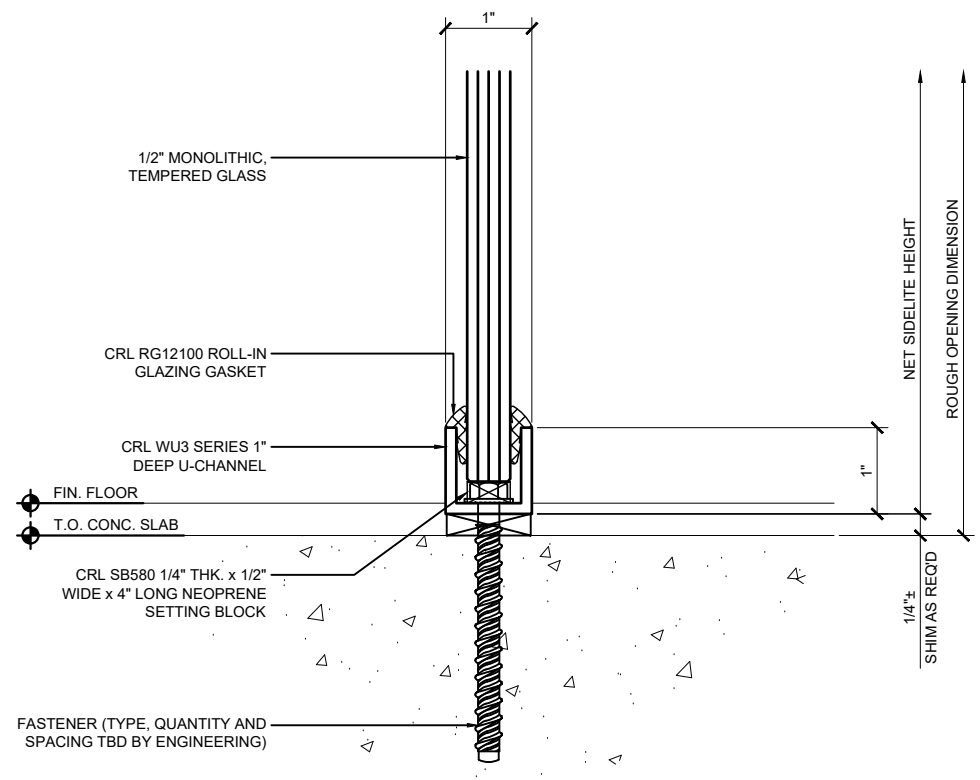
Sheet

2



SIDELITE HEAD DETAIL

1.5



SIDELITE SILL DETAIL

1.6

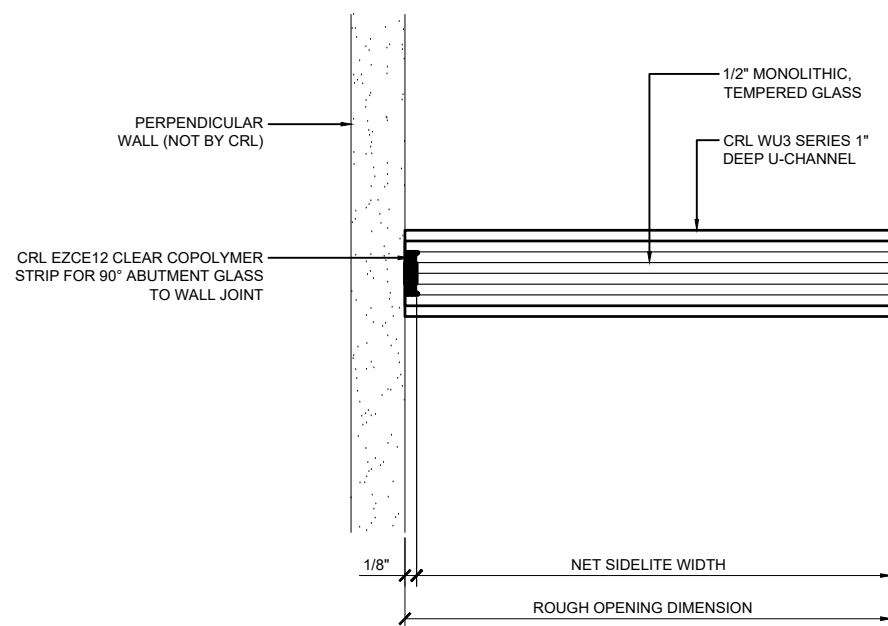
Revisions By:



Description: CRL
CASCADE
GLASS WALL
OFFICE
SYSTEM

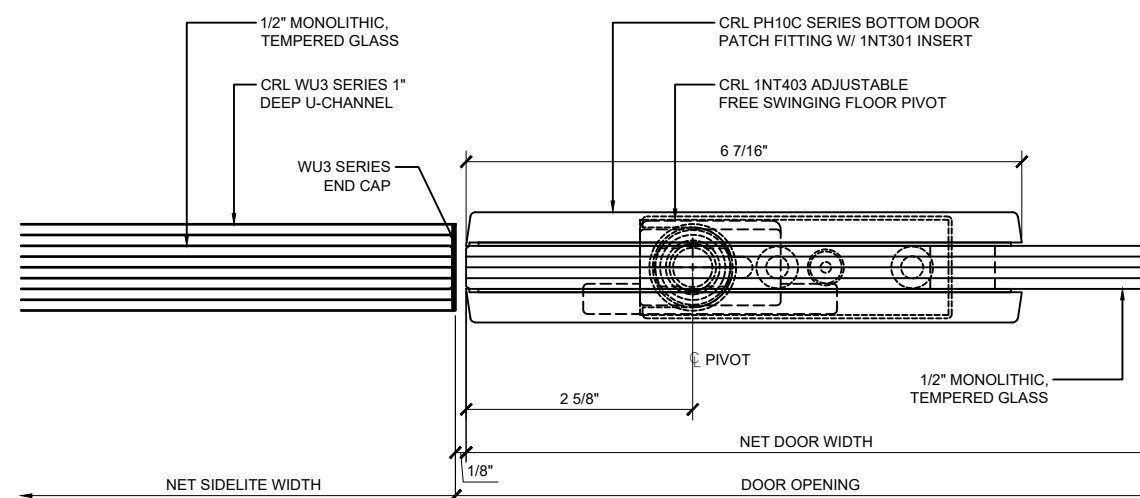
Drawn By: JG
Date: 11/24/2014
Scale: 1'-0" = 1'-0"
File Name: CRL CASCADE GLASS WALL OFFICE SYSTEM.dwg

Sheet
3



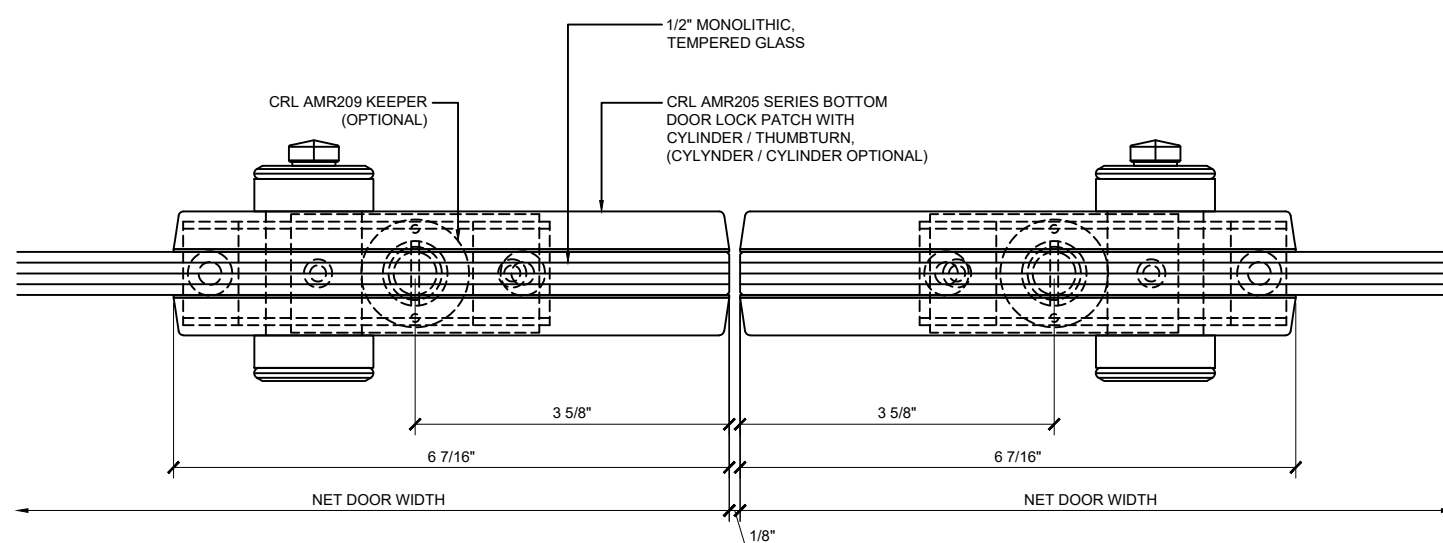
SIDELITE AT WALL

2.1



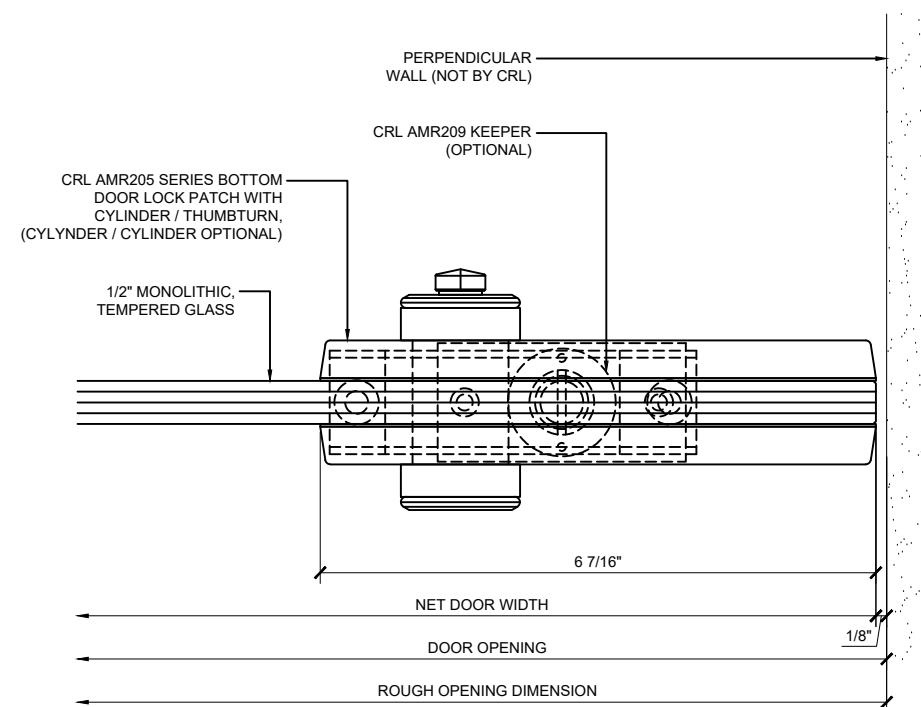
DOOR JAMB AT SIDELITE

2.3



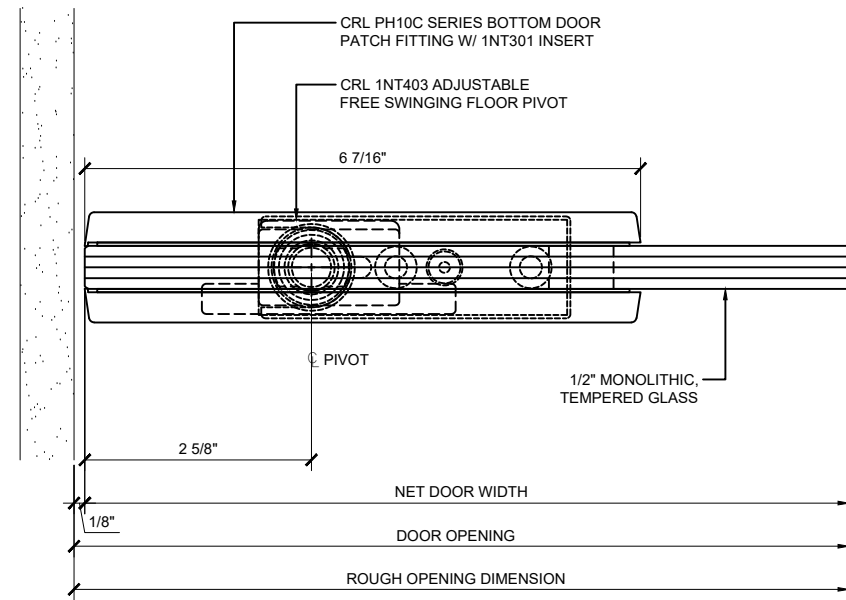
DOOR JAMB AT DOOR JAMB

2.2



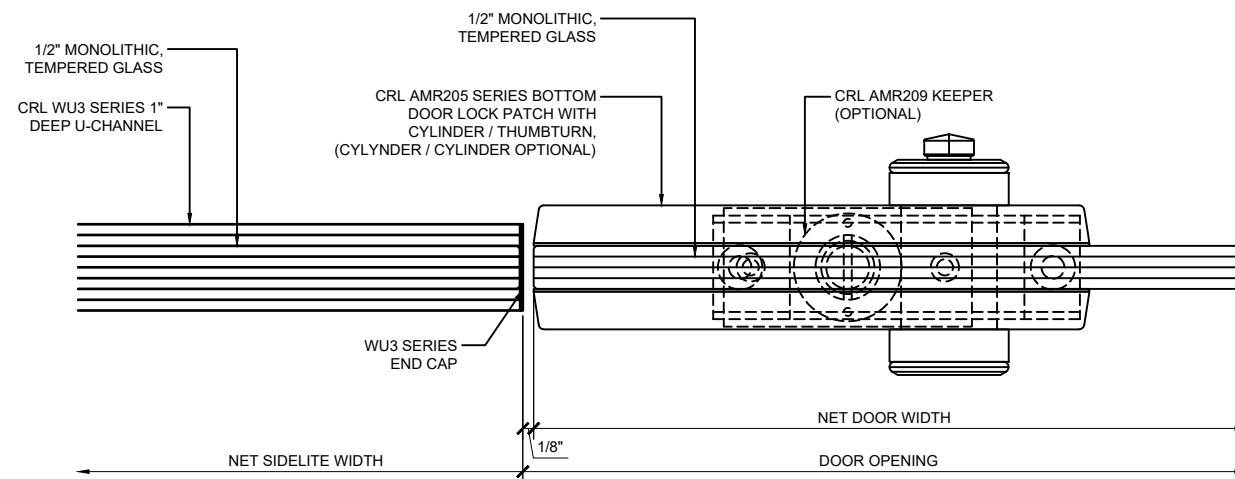
DOOR JAMB AT WALL

2.4



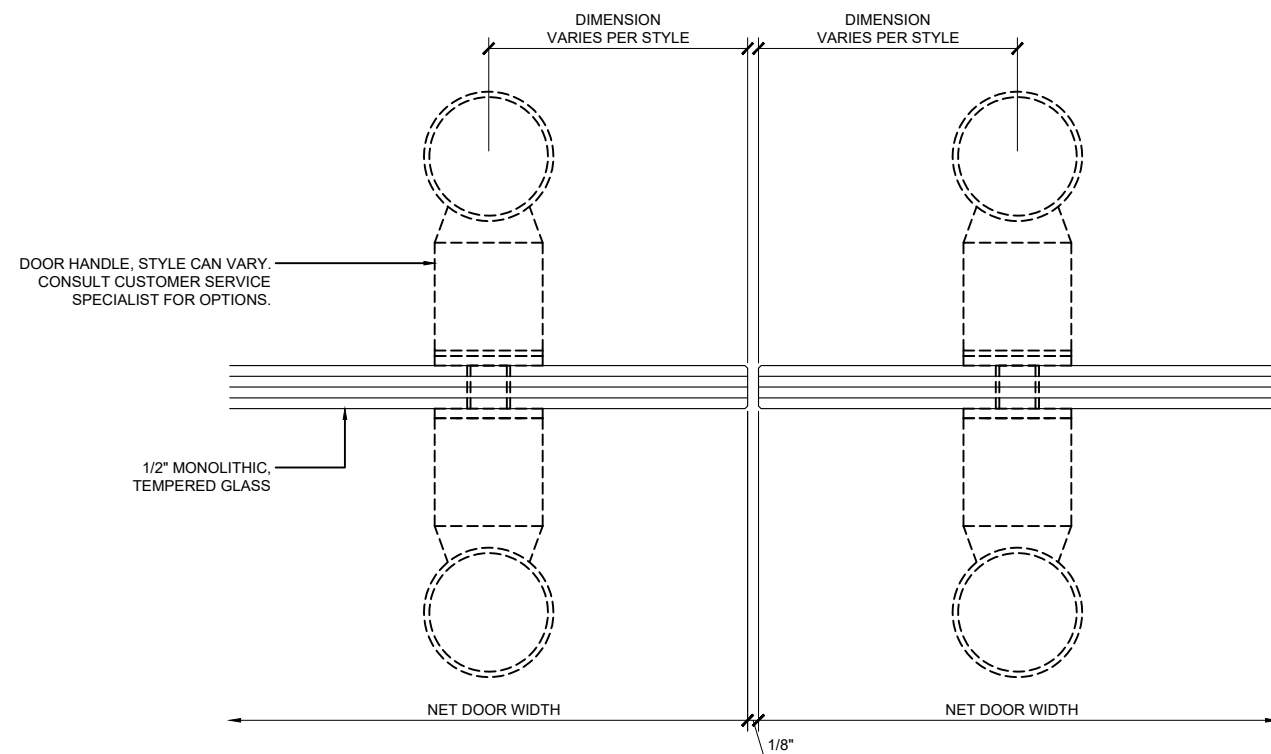
DOOR JAMB AT WALL

2.5



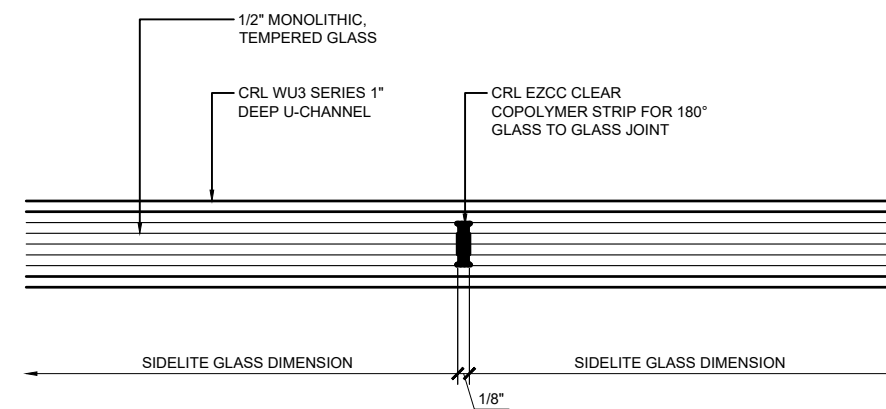
DOOR JAMB AT SIDELITE

2.7



DOOR JAMB AT DOOR JAMB

2.6



SIDELITE GLASS JOINT

2.8

Revisions By:

CRL
A CRH COMPANY

2503 E. Vernon Avenue, Los Angeles, CA 90058-1897
PH (800)-421-6144 FX: 800-587-7501 www.crlaurence.com

Description: CRL
CASCADE
GLASS WALL
OFFICE
SYSTEM

Drawn By: JG

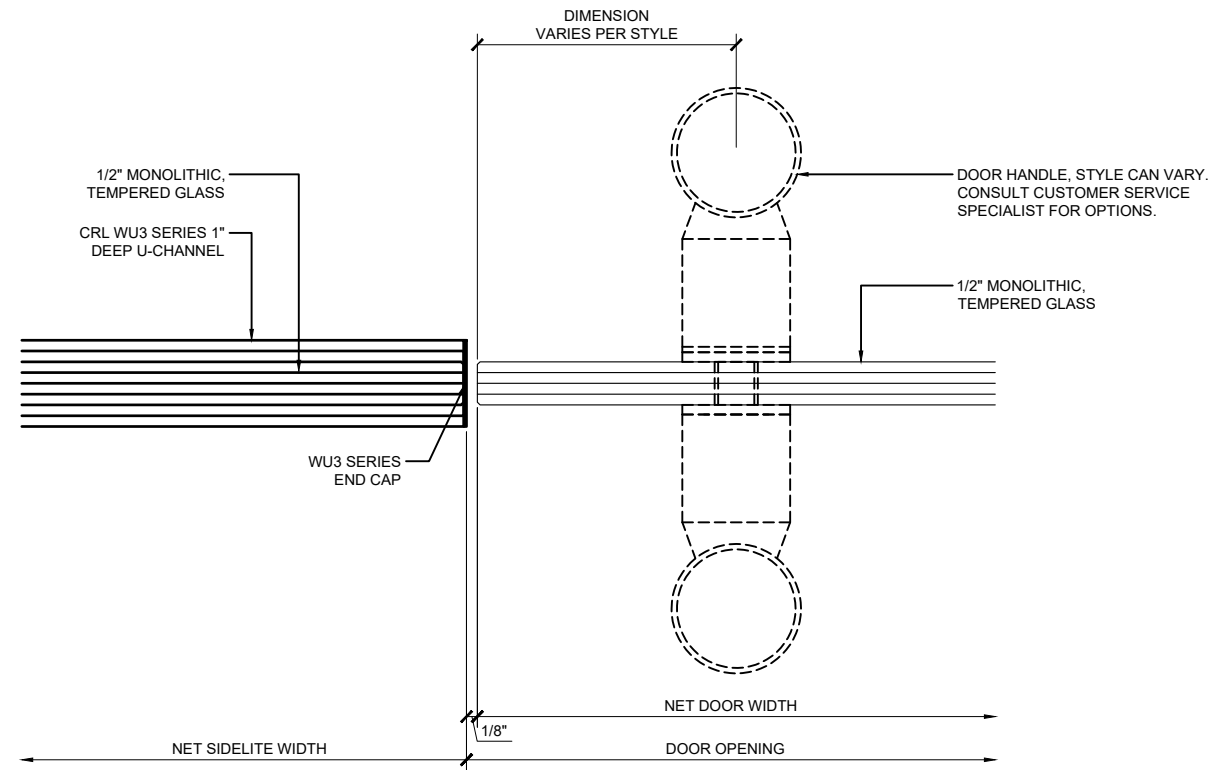
Date: 11/24/2014

Scale: 1'-0"=1'-0"

File Name:
CRL CASCADE GLASS WALL OFFICE SYSTEM.dwg

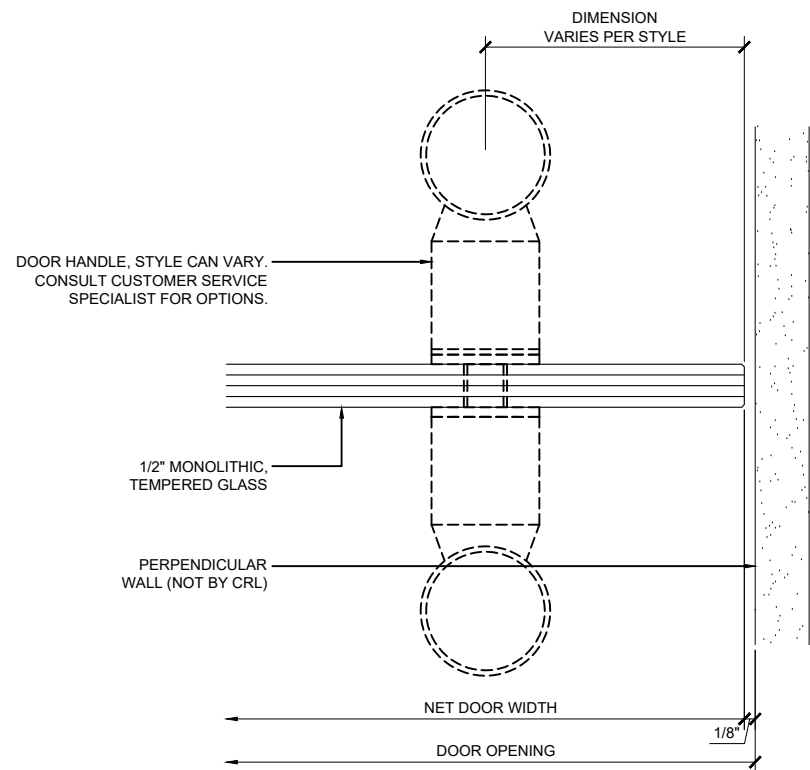
Sheet

5



DOOR JAMB AT SIDELITE

2.9



DOOR JAMB AT WALL

2.10

Revisions By:



Description: CRL
CASCADE
GLASS WALL
OFFICE
SYSTEM

Drawn By: JG
Date: 11/24/2014
Scale: 1'-0" = 1'-0"
File Name:
CRL CASCADE GLASS WALL OFFICE SYSTEM.dwg

Sheet
6

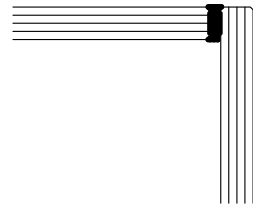
Revisions By:

CRL
A CRH COMPANY

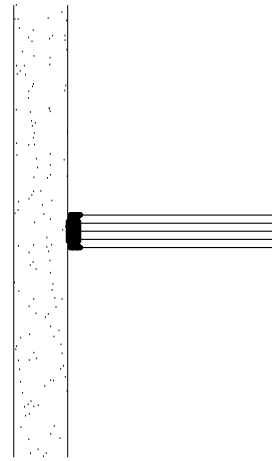
2503 E. Vernon Avenue, Los Angeles, CA 90058-1897
PH: (800)-421-6144 FX: 800-587-7501 www.crlaurence.com



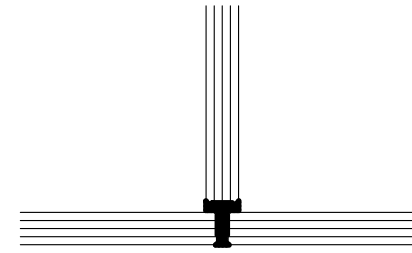
EZCC10 - CRL CLEAR COPOLYMER STRIP FOR 180° GLASS-TO-GLASS JOINT



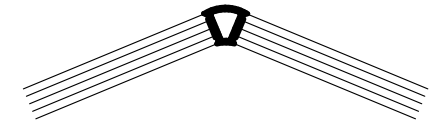
EZCL10 - CRL CLEAR COPOLYMER STRIP FOR 90° GLASS-TO-GLASS JOINT



EZCE10 - CRL CLEAR COPOLYMER STRIP FOR 90° ABUTMENT TO WALL



EZCT10 - CRL CLEAR COPOLYMER STRIP FOR T-JOINT JUNCTIONS WHERE 3 GLASS PANELS MEET

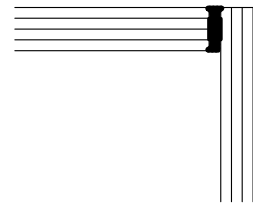


EZCA10 - CRL CLEAR COPOLYMER STRIP FOR 135° GLASS-TO-GLASS JOINT

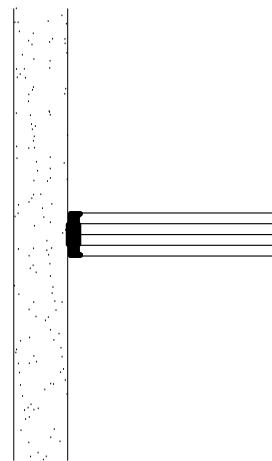
CLEAR COPOLYMER STRIP FOR GLASS-TO-GLASS JOINT FOR 3/8" (10mm) MONOLITHIC, TEMPERED GLASS



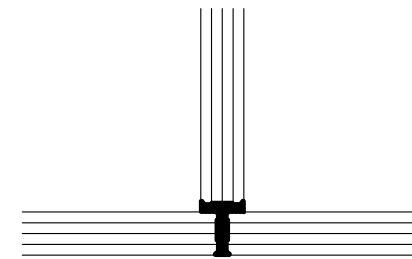
EZCC12 - CRL CLEAR COPOLYMER STRIP FOR 180° GLASS-TO-GLASS JOINT



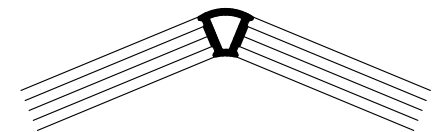
EZCL12 - CRL CLEAR COPOLYMER STRIP FOR 90° GLASS-TO-GLASS JOINT



EZCE12 - CRL CLEAR COPOLYMER STRIP FOR 90° ABUTMENT TO WALL



EZCT12 - CRL CLEAR COPOLYMER STRIP FOR T-JOINT JUNCTIONS WHERE 3 GLASS PANELS MEET



EZCA12 - CRL CLEAR COPOLYMER STRIP FOR 135° GLASS-TO-GLASS JOINT

Description: CRL
CASCADE
GLASS WALL
OFFICE
SYSTEM

Drawn By: JG

Date: 11/24/2014

Scale: 1'-0" = 1'-0"

File Name: CRL CASCADE GLASS WALL OFFICE SYSTEM.dwg

Sheet

7

CLEAR COPOLYMER STRIP FOR GLASS-TO-GLASS JOINT FOR 1/2" (12mm) MONOLITHIC, TEMPERED GLASS