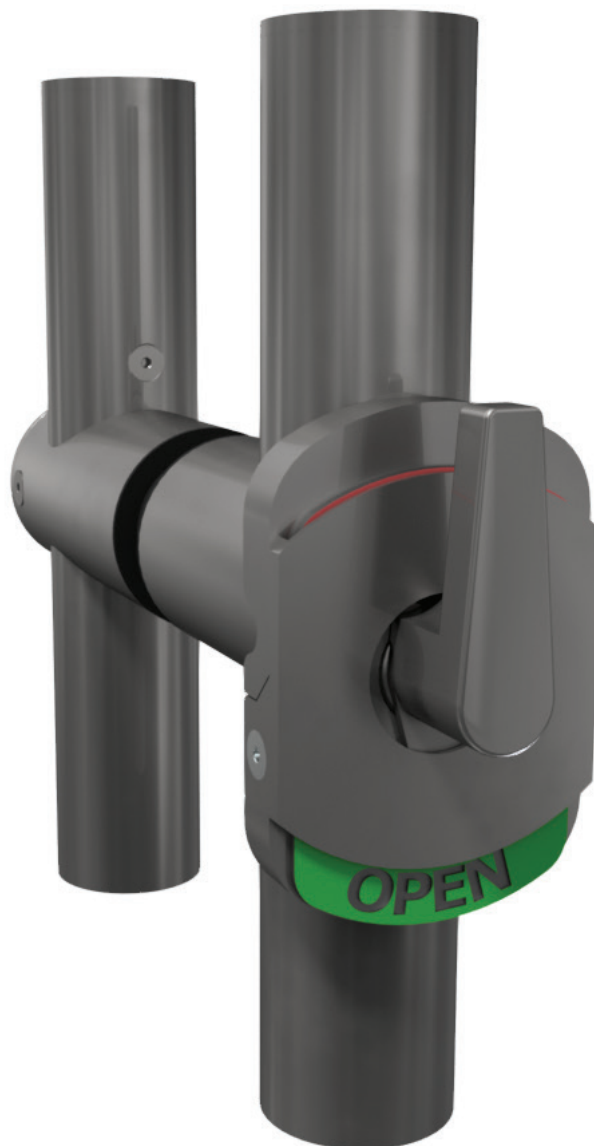


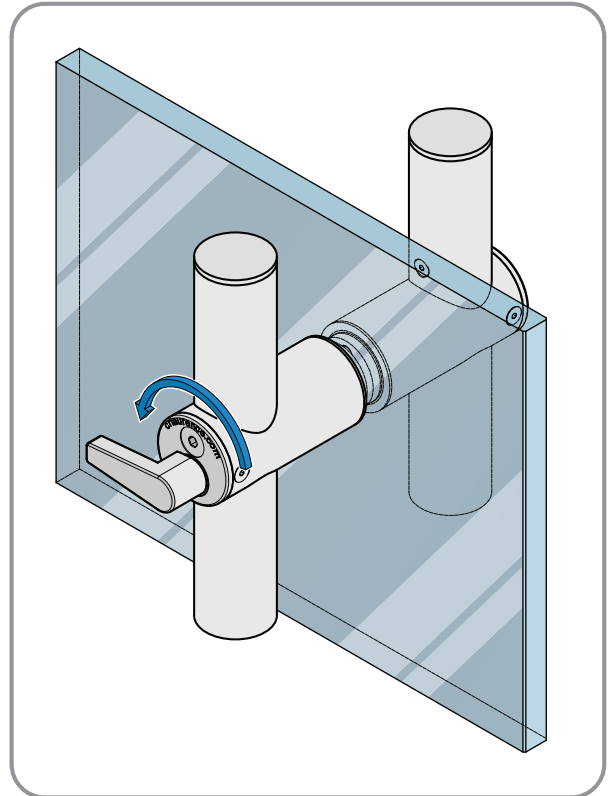
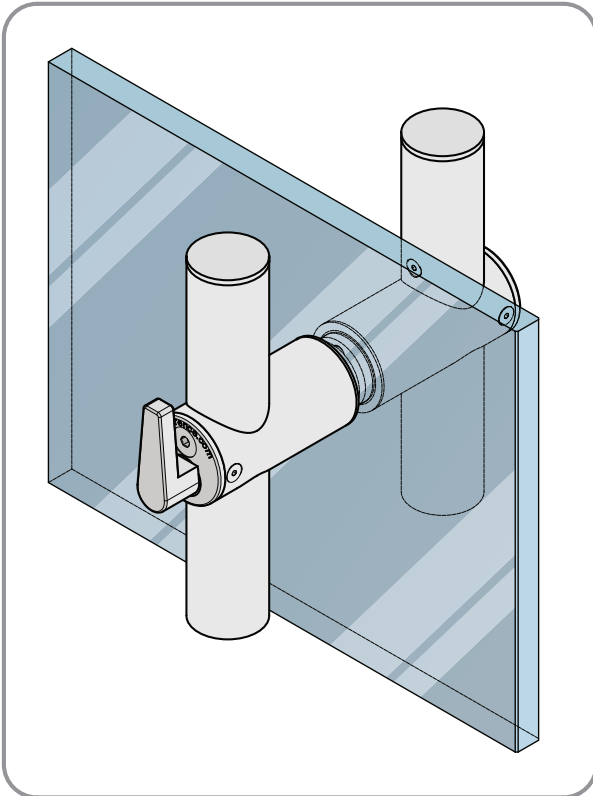


LLPA, LLPUA, DLLPA LOCKING LADDER PULLS LOCK INDICATOR

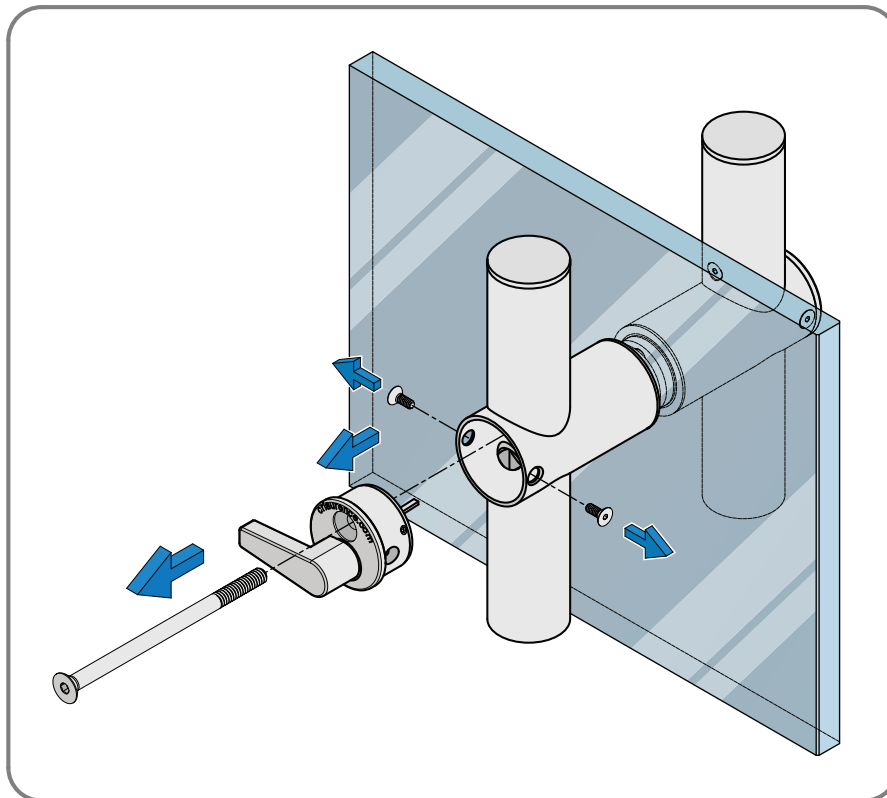


LOCK INDICATOR INSTALLATION

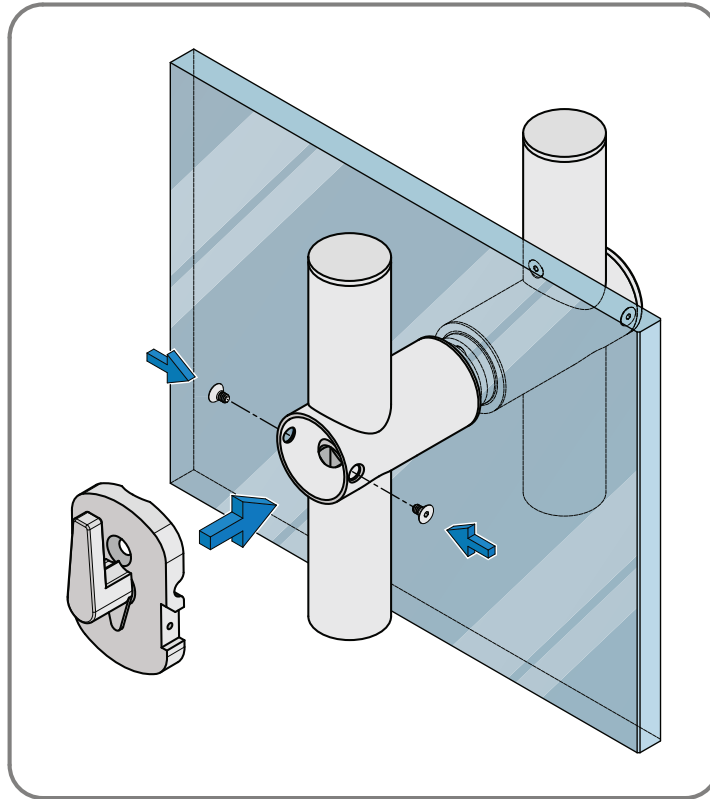
1. Turn the thumb turn counter clockwise.



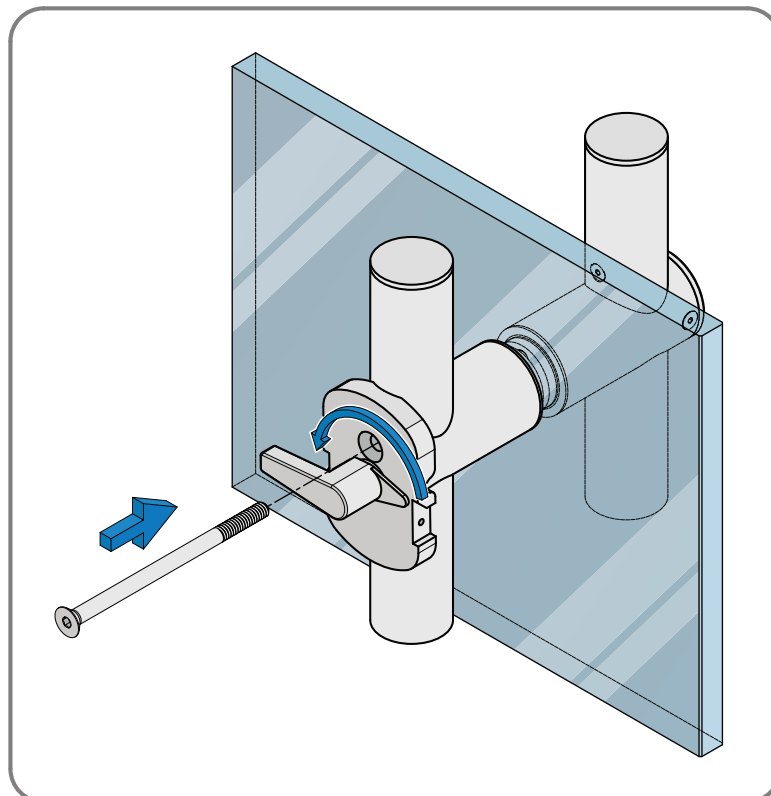
2. Remove the assembly bolt and the two lock housing screws that secure the thumb turn assembly in the lock housing, set these aside for later use during the installation of the Lock Indicator. Remove the thumb turn assembly.



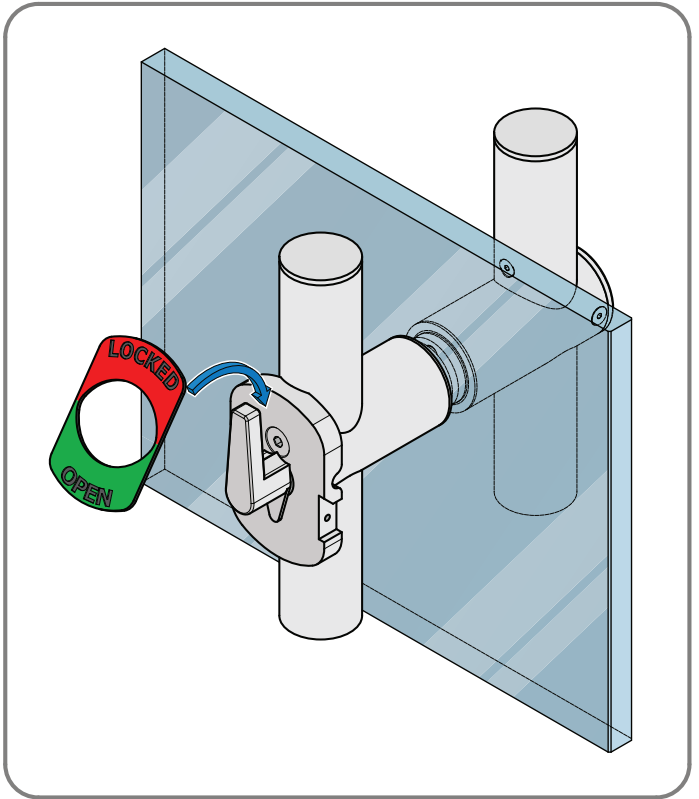
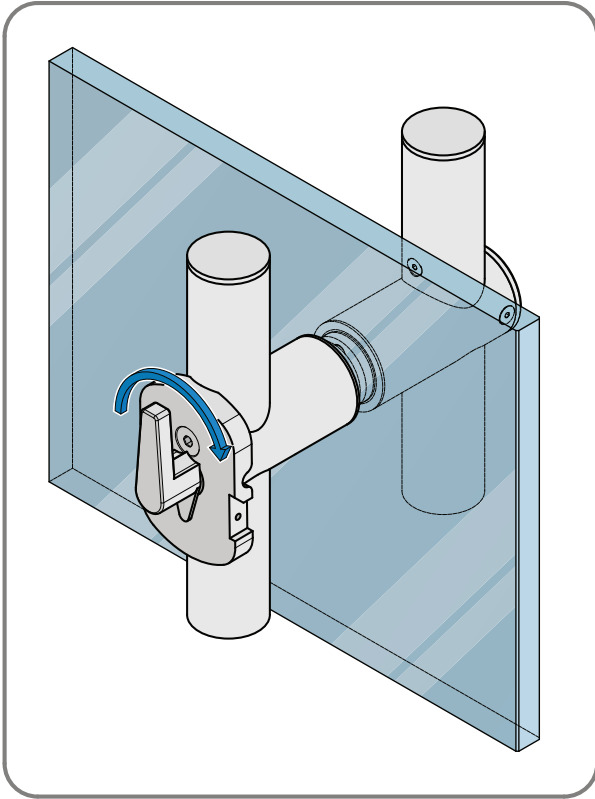
3. Insert the Lock Indicator thumb turn as shown below and secure it to the lock housing with the two lock housing screws.



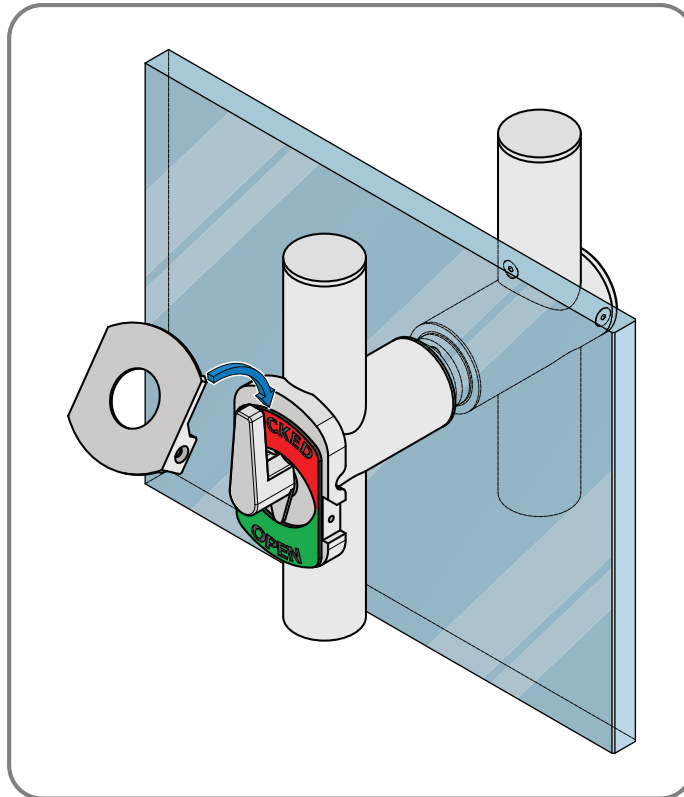
4. Turn the thumb turn counter clockwise and insert the assembly bolt.



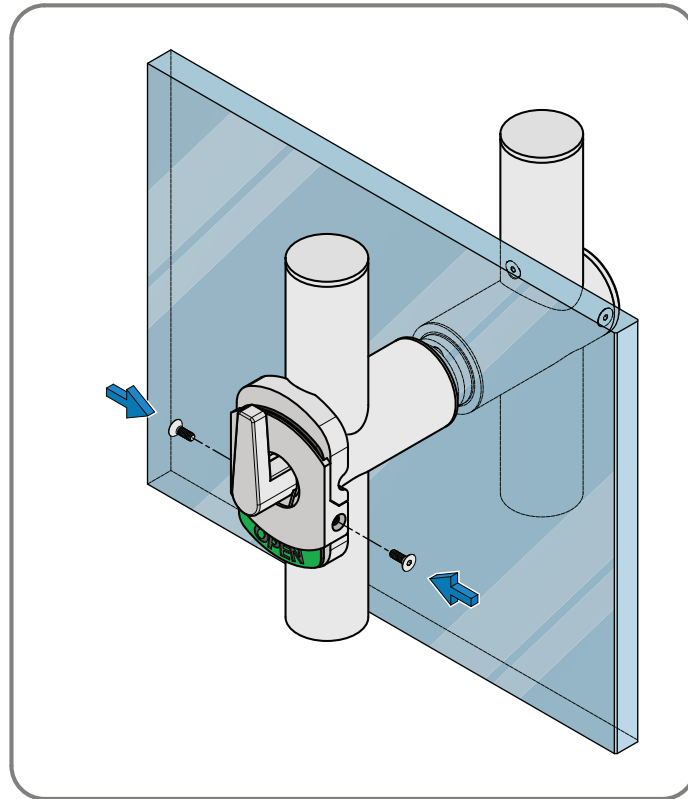
5. Turn the thumb turn clockwise as shown below, make sure to check if the door is in the open or locked position and slide the indicator accordingly over the thumb turn.



6. Slide the indicator cover over the thumb turn.



7. Secure the cover to the thumb turn using the two cover screws.



NOTE:
THE INDICATOR
IS REVERSABLE
IF REQUIRED.

