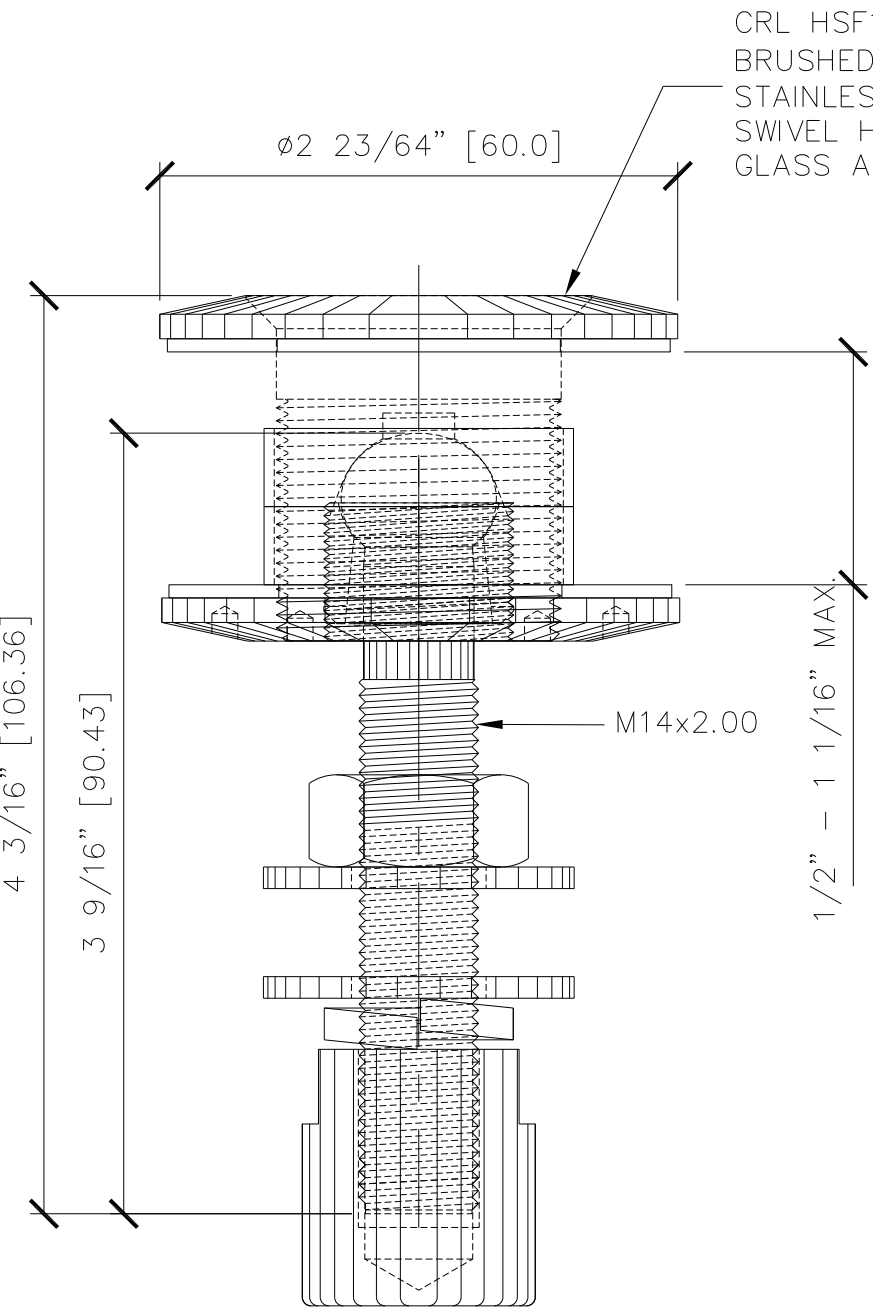
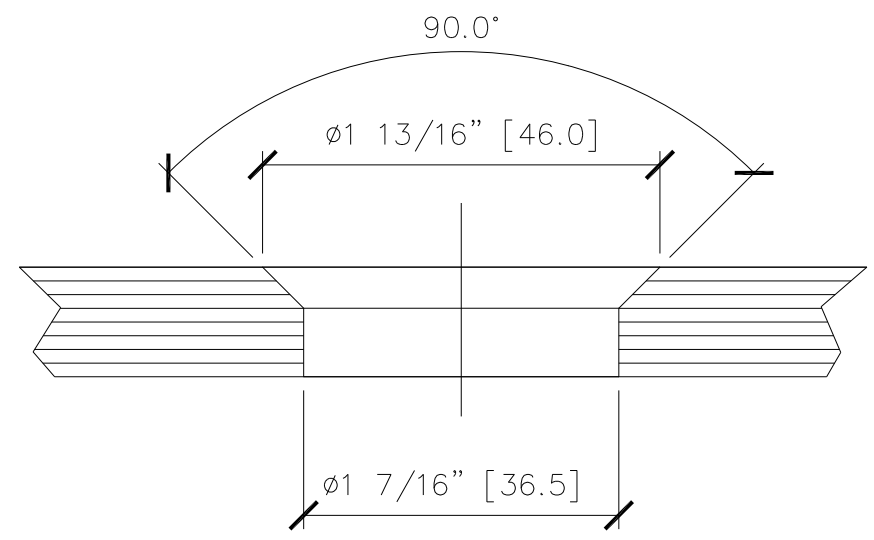


CRL HSF14BS/CRL HSF14PS  
BRUSHED/POLISHED  
STAINLESS STEEL  
SWIVEL HEAD COMBINATION  
GLASS ATTACHMENT

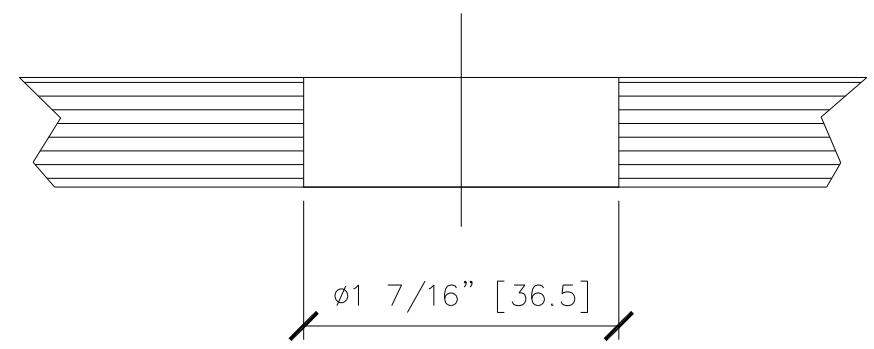
CRL HSF14BS/CRL HSF14PS  
BRUSHED/POLISHED  
STAINLESS STEEL  
SWIVEL HEAD COMBINATION  
GLASS ATTACHMENT



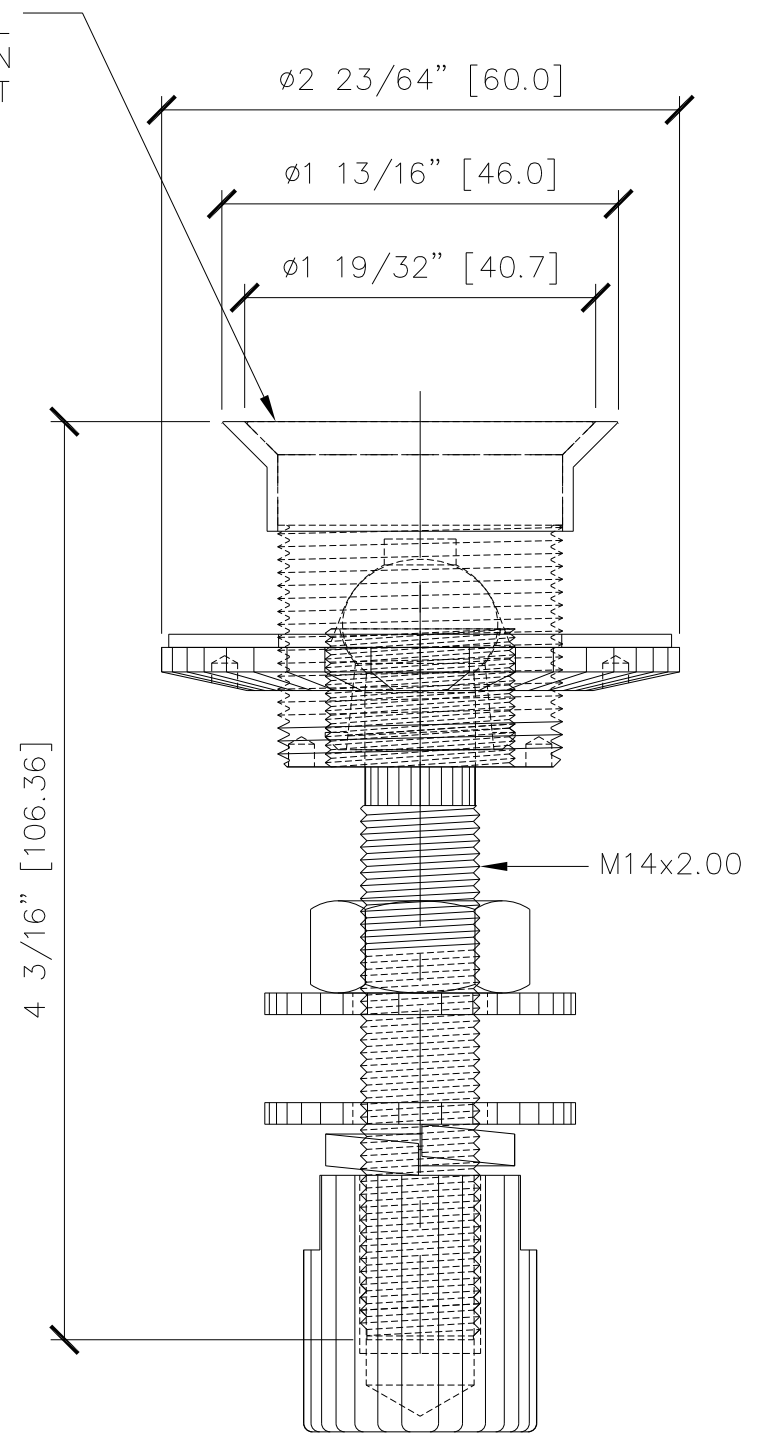
1 HSF14BS- CAP MOUNT  
Scale: 1:1



3 FLUSH MOUNT GLASS FABRICATION  
Scale: 1:1



4 CAP MOUNT GLASS FABRICATION  
Scale: 1:1



2 HSF14BS- FLUSH MOUNT  
Scale: 1:1



**CRL**  
C.R. LAURENCE CO.  
ARCHITECTURAL PRODUCTS

2503 E. Vernon Avenue, Los Angeles, CA 90058  
Phone: 800-421-6144 Fax: 800-262-3299  
www.crlaurence.com

Part No: No. HSF14BS

Phone: -  
Fax: -

DATE: 06-19-09

DRAWN BY: JRM

CHECKED BY:

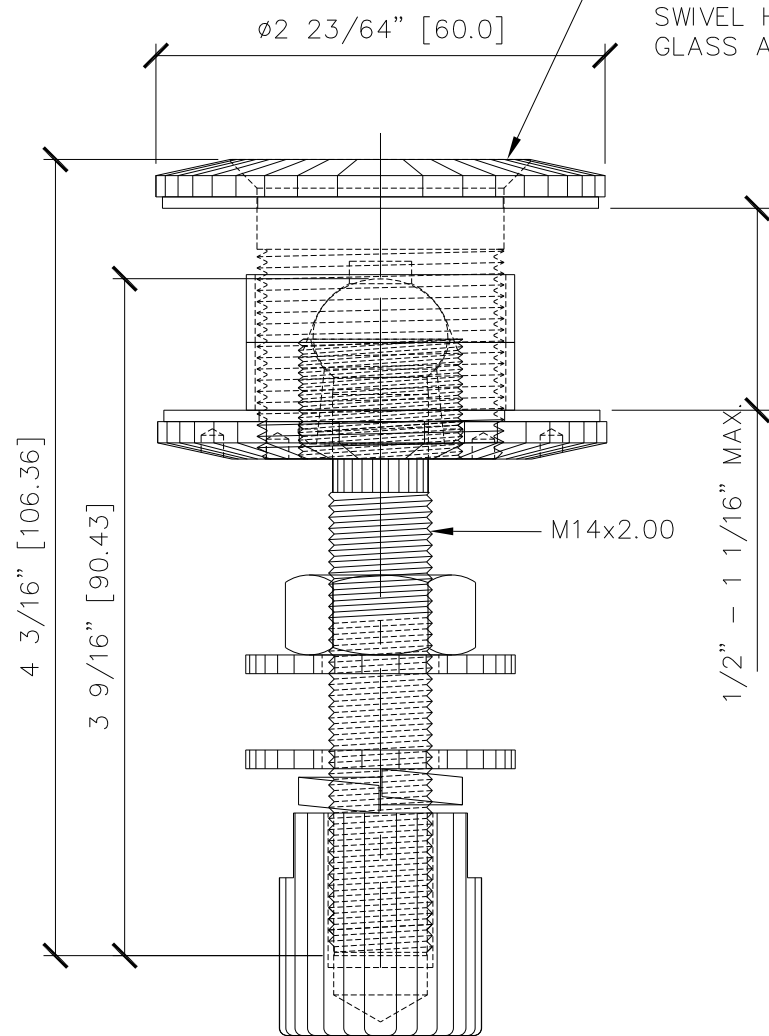
SCALE: 1:1

JOB #: -----

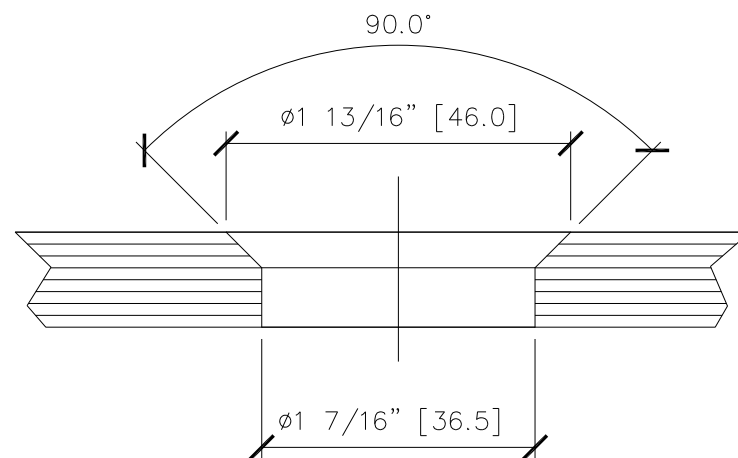
SHT 1

CRL HSF14BS/CRL HSF14PS  
BRUSHED/POLISHED  
STAINLESS STEEL  
SWIVEL HEAD COMBINATION  
GLASS ATTACHMENT

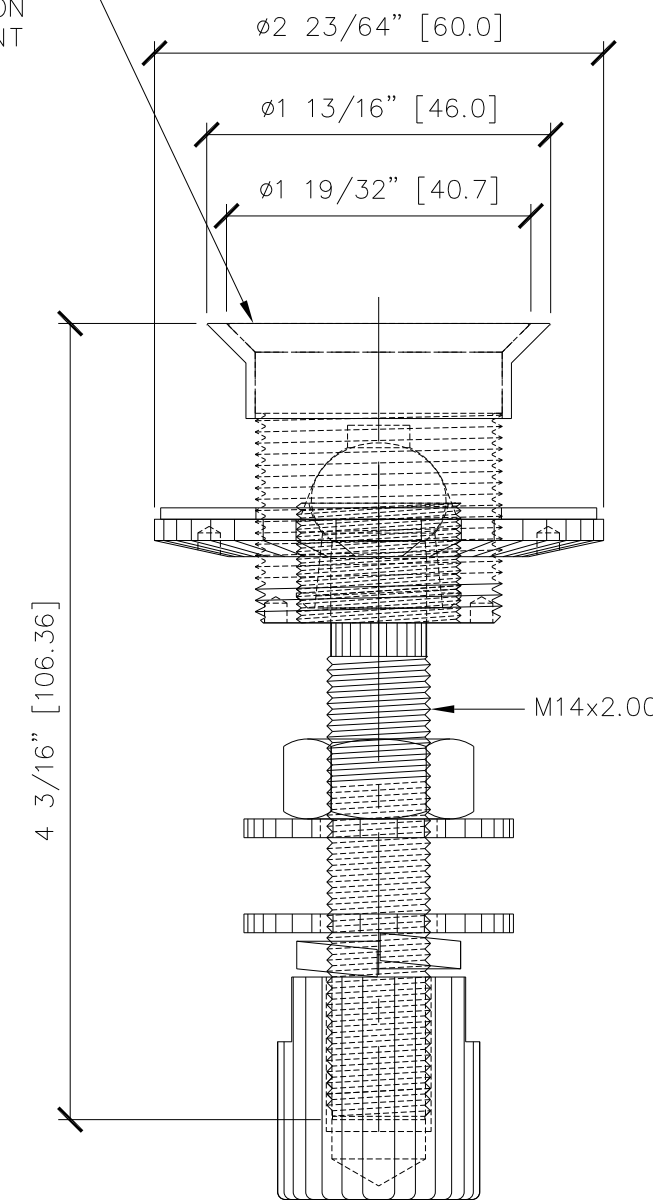
CRL HSF14BS/CRL HSF14PS  
BRUSHED/POLISHED  
STAINLESS STEEL  
SWIVEL HEAD COMBINATION  
GLASS ATTACHMENT



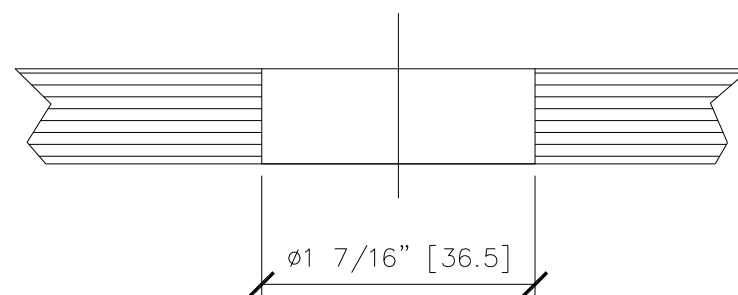
1 HSF14BS- CAP MOUNT  
Scale: 1:1



3 FLUSH MOUNT GLASS FABRICATION  
Scale: 1:1



2 HSF14BS- FLUSH MOUNT  
Scale: 1:1



4 CAP MOUNT GLASS FABRICATION  
Scale: 1:1

CRL SWIVEL HEAD COMBINATION  
GLASS ATTACHMENT

CATALOG NUMBER	FINISH
HSF14BS	BRUSHED STAINLESS
HSF14PS	POLISHED STAINLESS

CUSTOMER SIGNATURE: X

DATE: \_\_\_\_\_