



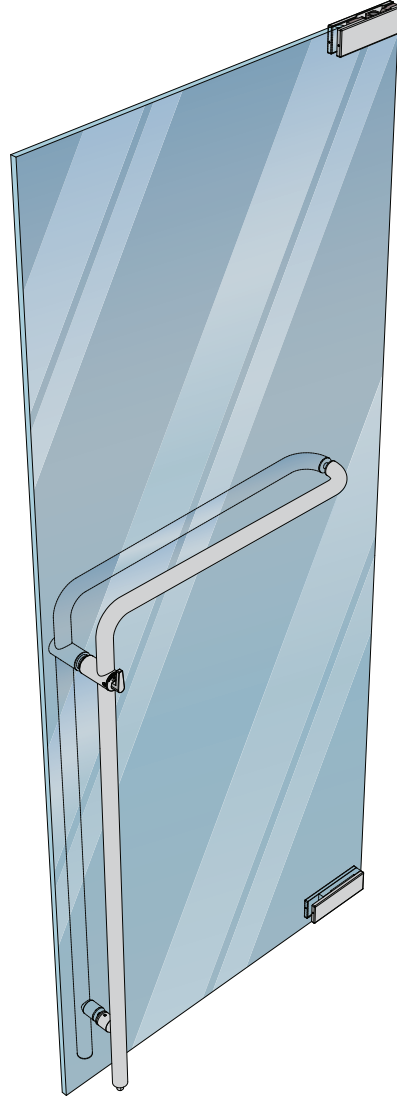
# LLPA110C LOCKING LADDER PULL



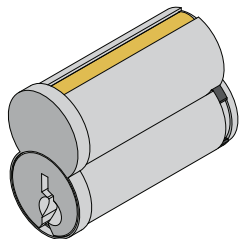
## ABOUT THIS MANUAL

We have taken our highly popular Ladder Pull Handles and incorporated a fully concealed deadbolt locking mechanism that is operated at 42 inches (1067 millimeters) above the floor. The mechanism utilizes an A.D.A. compliant thumbturn on the interior. Stock Locking Ladder Pulls strike into the floor and therefore are not considered A.D.A. compliant, but special ordered LLP's that strike into the header are fully A.D.A. compliant providing keyed cylinder is located from between 34" to 48" (864 to 1219 mm) above finished floor.

This manual covers the installation for:

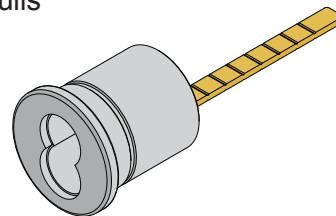


Floor Locking Ladder Pulls



Series 1C

CRL 7-Pin Key #1 Small  
Format Interchangeable Core



Series 2CH

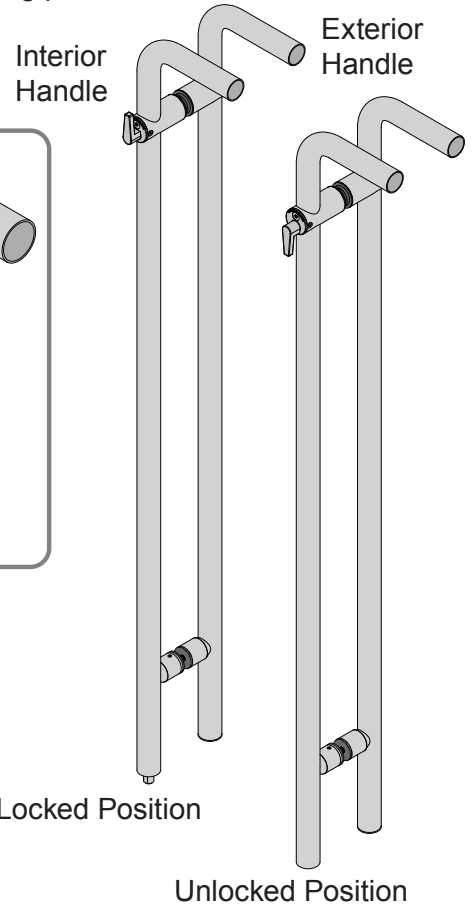
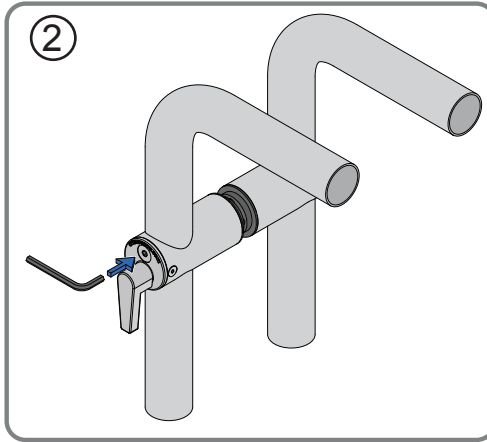
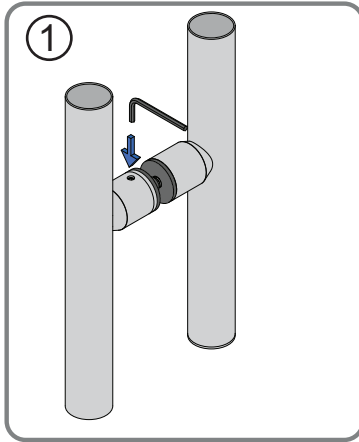
CRL Cylinder Housings for Small  
Format Interchangeable Cores (SFIC)

NOTE: The 1C Core supplied with the LLPA Handle should be used as a temporary core to be re-keyed or replaced prior to final occupancy.

# UNPACK

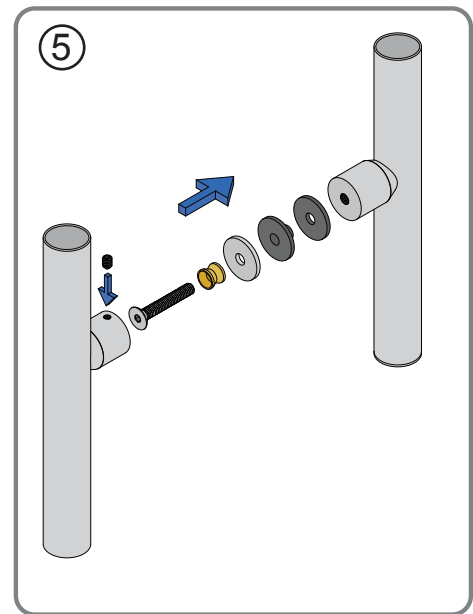
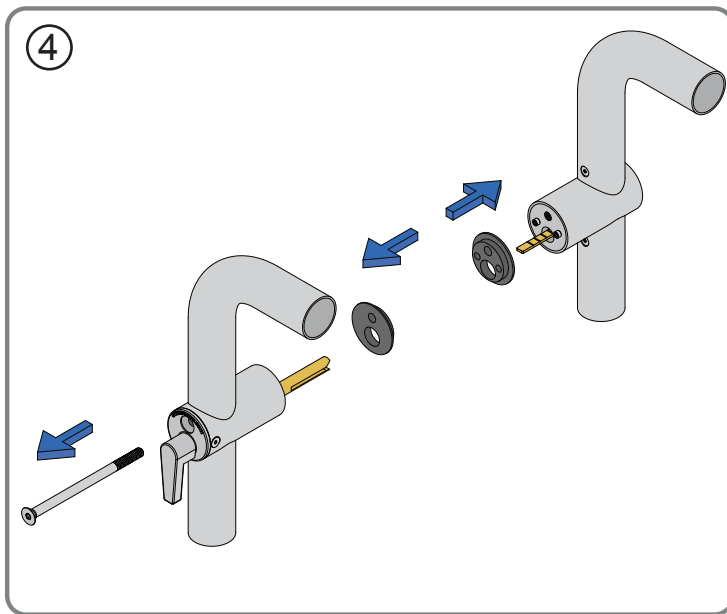
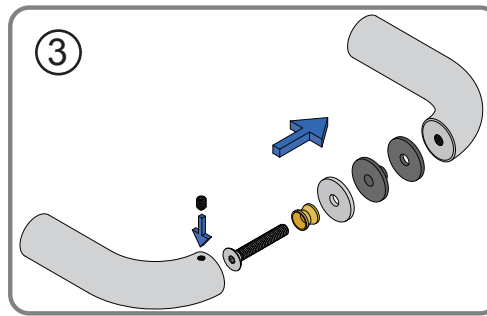
All CRL Locking Ladder Pulls are tested and shipped fully assembled. They need to be partially disassembled prior to installation. Remove, identify, and save the following parts for installation.

Note: All unpacking and installation steps should be done with the Interior Handle in the Unlocked Position.



Separate handles, remove parts and store in a safe place for later use.

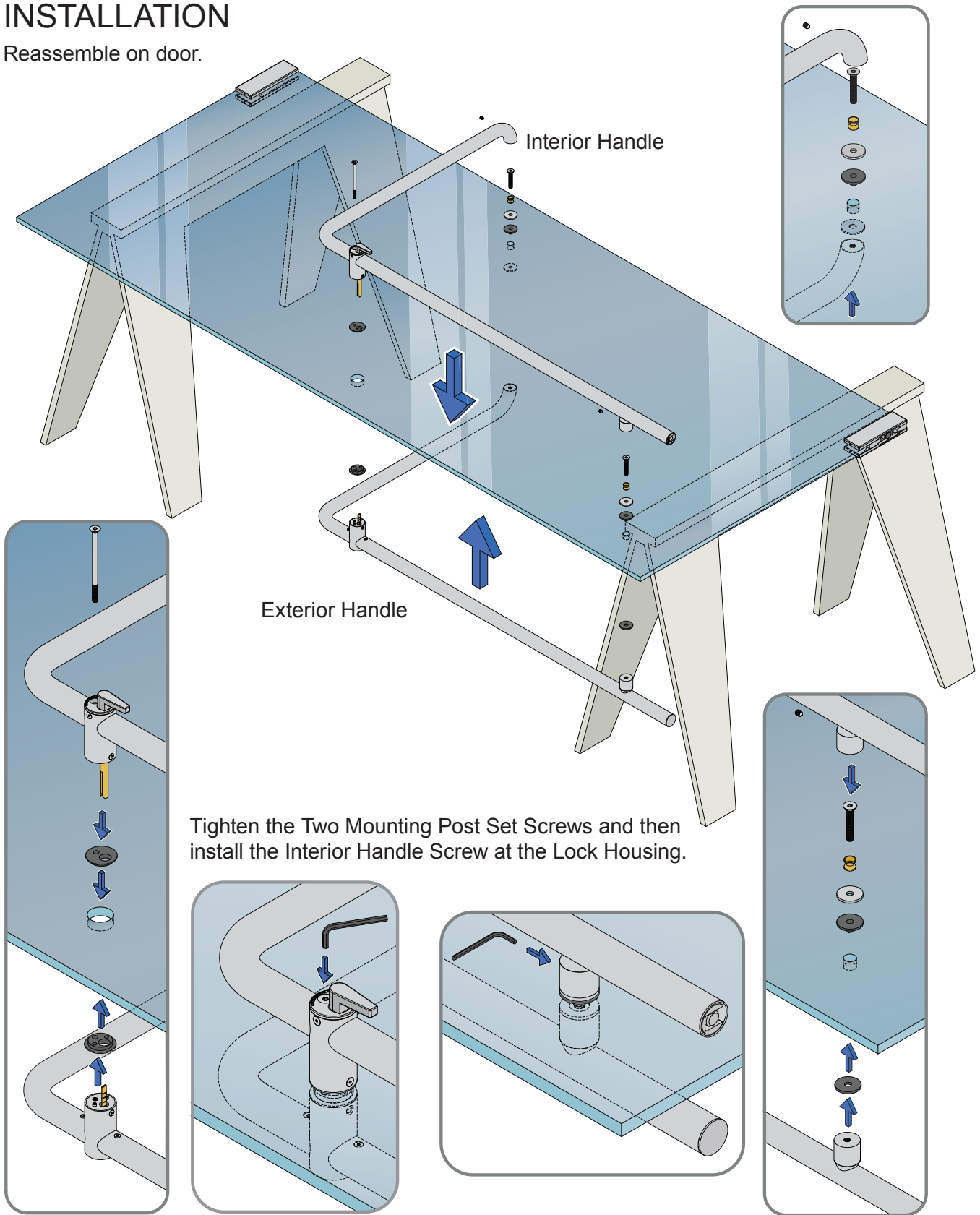
Loosen the Mounting Post Set Screws and then Remove the Interior Handle Screw on the Lock Housing and Remove the Exterior Handle.



**IMPORTANT:** Do not loosen or remove any other screws.

# INSTALLATION

Reassemble on door.

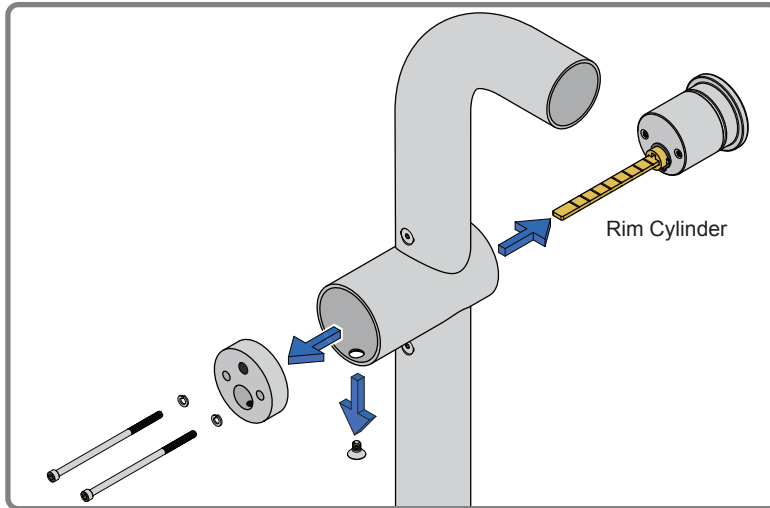


# RIM CYLINDER AND IC CORE REPLACEMENT

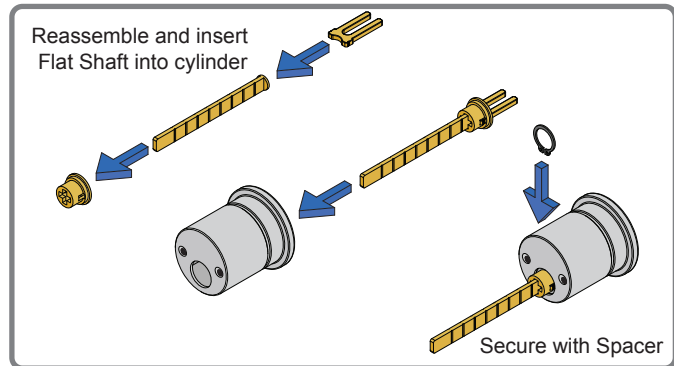
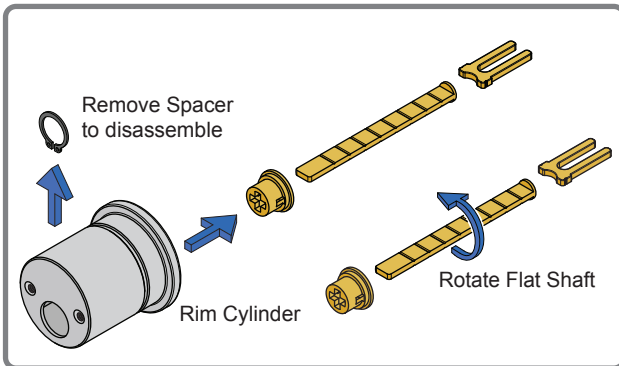
All LLPA and DLLPA Handles come with SFIC Rim Cylinder and Core that can be replaced with either SFIC or LFIC Rim Cylinders and Cores.

NOTE: When replacing SFIC Core only, skip to Step 6. The handle does not need to be removed from door.

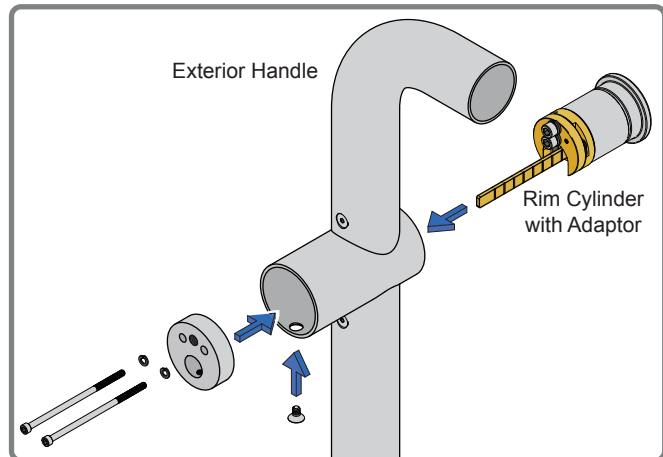
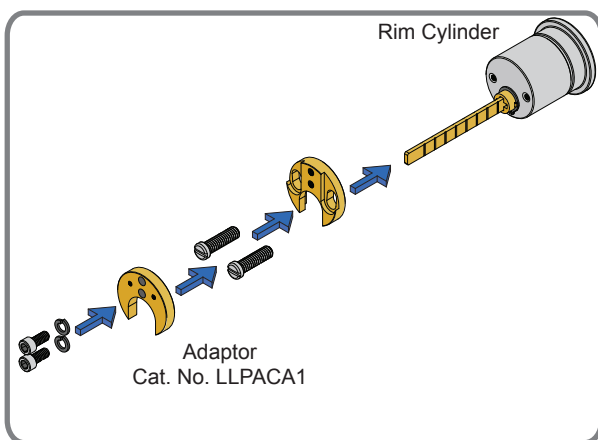
1. Follow steps on Page 3 to remove Exterior Handle from door.
2. Remove fasteners from glass side of the Lock Housing to remove the Rim Cylinder and Base.



3. Disassemble the new Rim Cylinder to rotate the Flat Shaft to vertical position and reassemble.



4. Install the Adaptor onto the new Rim Cylinder and reattach the new base and Cylinder to the Exterior Handle.



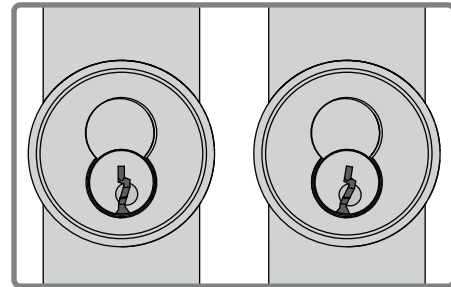
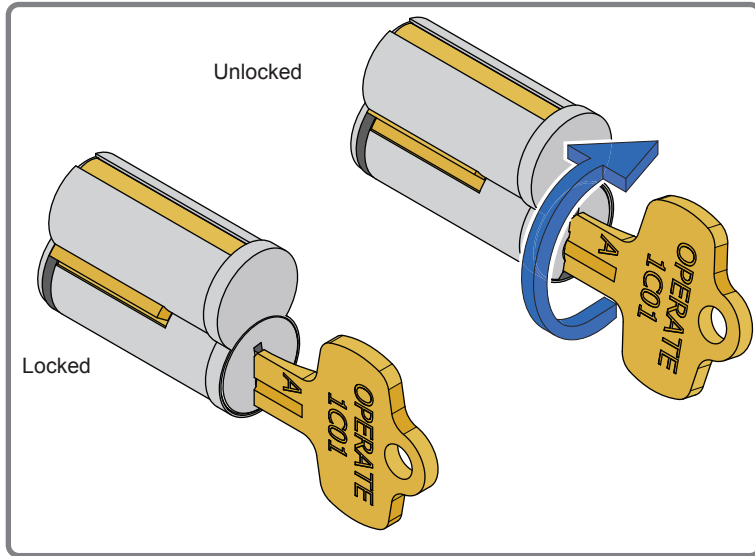
NOTE: Rim Cylinder may be substituted with Rim Cylinders with vertical tail pieces at least 2-1/2" (64 mm) long.

## RIM CYLINDER AND IC CORE REPLACEMENT (CONTINUED)

NOTE: When replacing SFIC Core only, skip to Step 6. The handle does not need to be removed from door.

6. Turn the operating key to unlock the Small Format Interchangeable Core (SFIC) and replace with a new Series 1C or other similar cores.

### Unlock Core with Operating Key



Locked Unlocked

Note: Key sits at slight angle in unlocked position.

### Insert Core and lock it in place.

