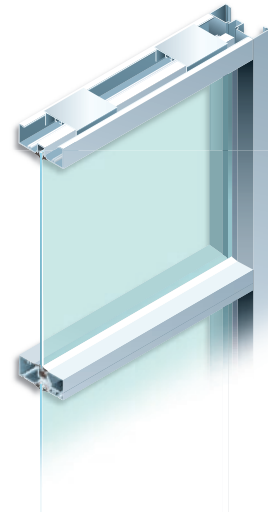


# Standard Flush Glaze Storefront Systems— a wide range of storefront framing systems for efficient installation

Oldcastle BuildingEnvelope™ offers a complete line of storefront framing systems to **meet just about any storefront application and condition.**

FG-2000 is 1-3/4" x 4-1/2" and designed for 1/4" glazing but is **easily adapted to 5/16" or 3/8" infills.** FG-3000 is 2" x 4-1/2" and is designed for 1" typical glazing and is adaptable to many different infills ranging from 1/4" to 1-1/8".

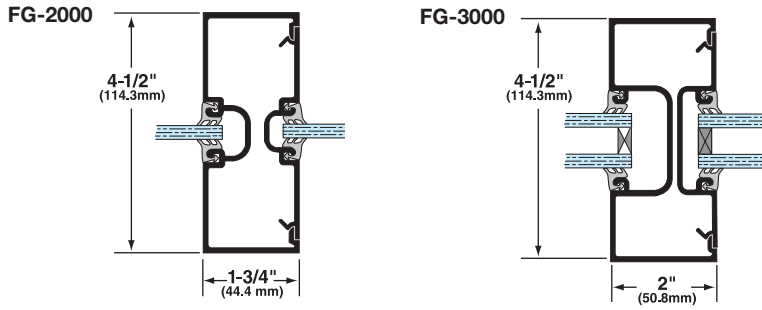


St. Benedict's Medical Arts Building, Ogden, UT  
Architect: Babcock Design Group

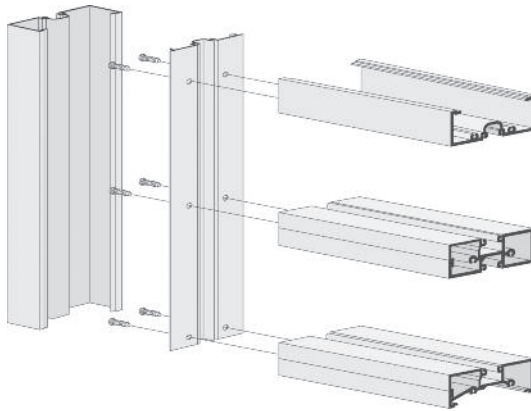
## Features

- Three different assembly methods: Screw Spline, Shear Block and Stacking
- Tested by independent laboratories:
  - Air Infiltration: <.06 allowable at 6.24 PSF
  - Water Resistance: 10 PSF
- Door framing components
- Sidelite bases to match door bottom rails
- Multiple corner post configurations
- Adjustable and 135° mullion
- Anodized or painted finishes

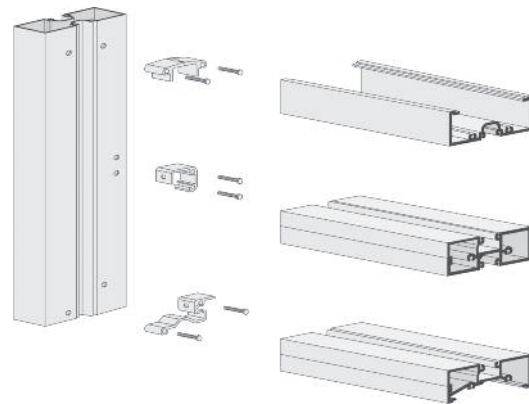
**Details**



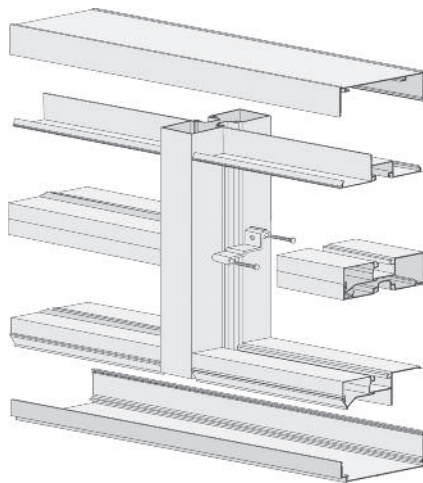
**Screw Spline Assembly**



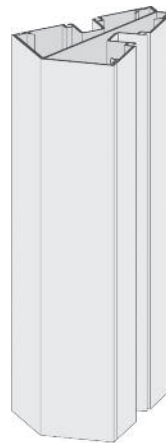
**Shear Block Assembly**



**Stack Assembly**



**135° Corner**



**Adjustable Mullion**

