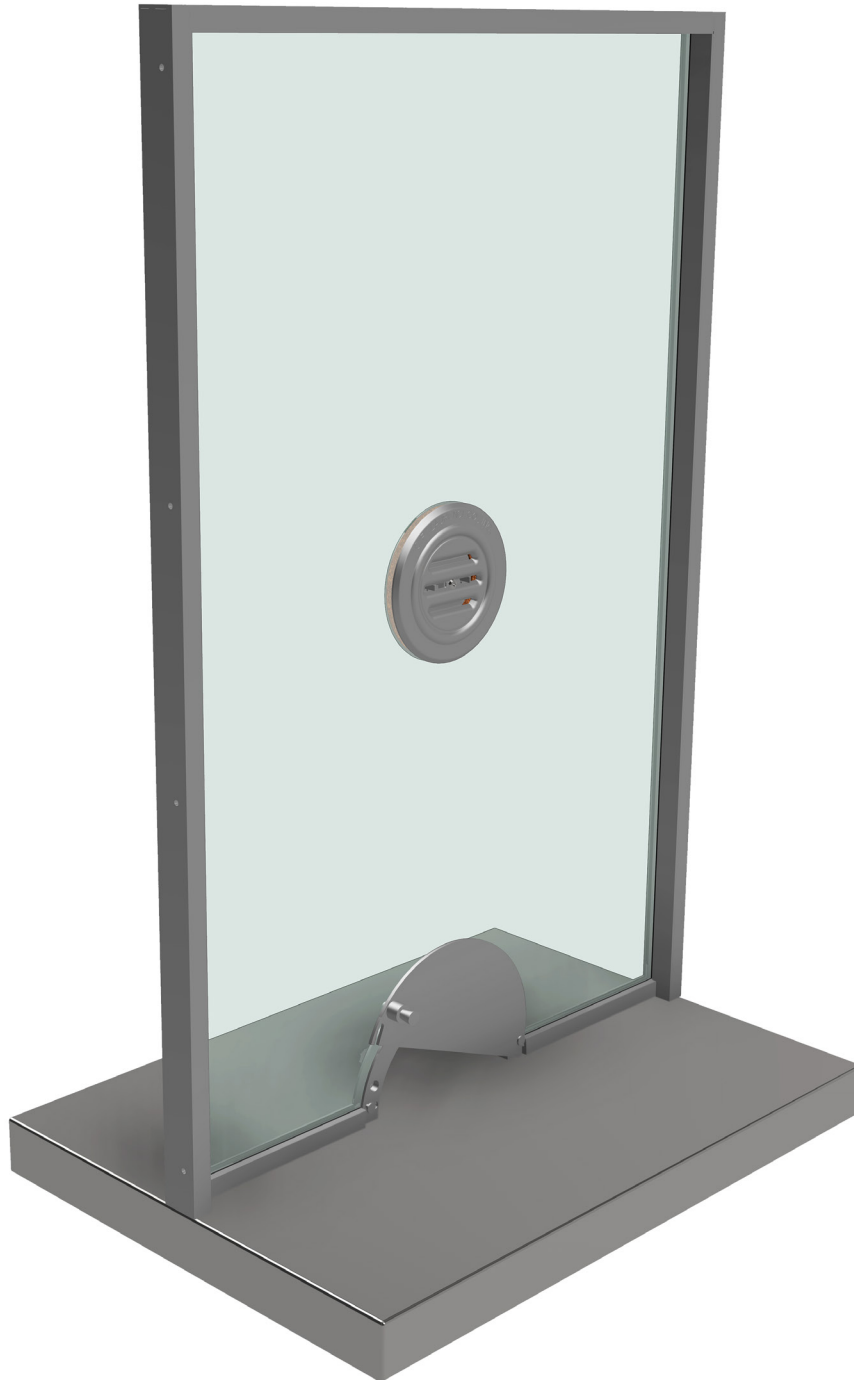


# INSTALLATION INSTRUCTIONS

## CRL SCW102 TICKET WINDOW



---

Phone: (800) 421-6144 • Ext. 17760 • Fax: (800) 587-7501  
crlaurence.com • usalum.com • crl-arch.com  
transaction@crlaurence.com

---

# CRL SCW102 TICKET WINDOW

---

## ORDER OF ASSEMBLY AND INSTALLATION

INTRODUCTION/TOOLS REQUIRED .....	03
SUPPORTING WALL PREPARATION AND SHELF INSTALLATION.....	04-05
TICKET WINDOW FRAME INSTALLATION.....	06
TICKET WINDOW AND SPEAK THRU INSTALLATION.....	07
SEAL THE PERIMETER.....	08
CONCLUSION.....	09

The rapidly changing technology within the architectural aluminum products industry demands that C.R. Laurence/U.S. Aluminum reserve the right to revise, discontinue, or change any product line, specification, or electronic media without prior written notice.

**NOTE:** Dimensions in parentheses ( ) are millimeters unless otherwise noted.

# CRL SCW102 TICKET WINDOW

---

## INTRODUCTION

Our **CRL Ticket Window** is ready for immediate installation. The standard SCW102N includes an aluminum framed stationary 1/4" (6 mm) clear tempered glass window, a Cat. No. 834A Speak-Thru, and a Cat. No. 720A Ticket Window. This sits atop a stainless steel shelf measuring 24" (610 mm) wide x 18" (457 mm) deep x 2" (51 mm) thick. SCW102N is shipped unattached to stainless steel shelf. SCW102C custom units may or many not have a shelf and it may be pre-attached.

## IMPORTANT: PLEASE READ BEFORE INSTALLING WINDOW

**The Following Instructions Will Reduce Your Chances of Experiencing Problems During Installation**

### Window Checklist

Remove the window from the package and inspect. Advise CRL immediately if any damage is noted. Confirm the frame is square: if necessary, re-tighten corner screws if they have loosened during transit. Test the functions of the half-round ticket door with snap-lock.

### Materials Included

Window and Components

### Materials Recommended (Not Included)

Cordless Drill

Caulking Gun

Screw Driver

CRL Cat. No. 199 Utility Knife

CRL Cat. No. M64 Construction Sealant (Select Color)

CRL Cat. No. NWS9 Tapered Wood Shims

CRL Cat. No. 1973 Glass Cleaner

CRL Cat. No. 1550 Lint Free Shop Towels

Fasteners / Anchors By Installer Based On Field Conditions

### Installation Requirements

All windows must be installed plumb and square. Based on the wall substrate, correct anchors and screws must be used to properly secure the window into the opening.

### Installation Procedures

Check the opening to be sure it is square and has the proper clearances.

Wall opening width is recommended 1/2" minimum more than the window width.

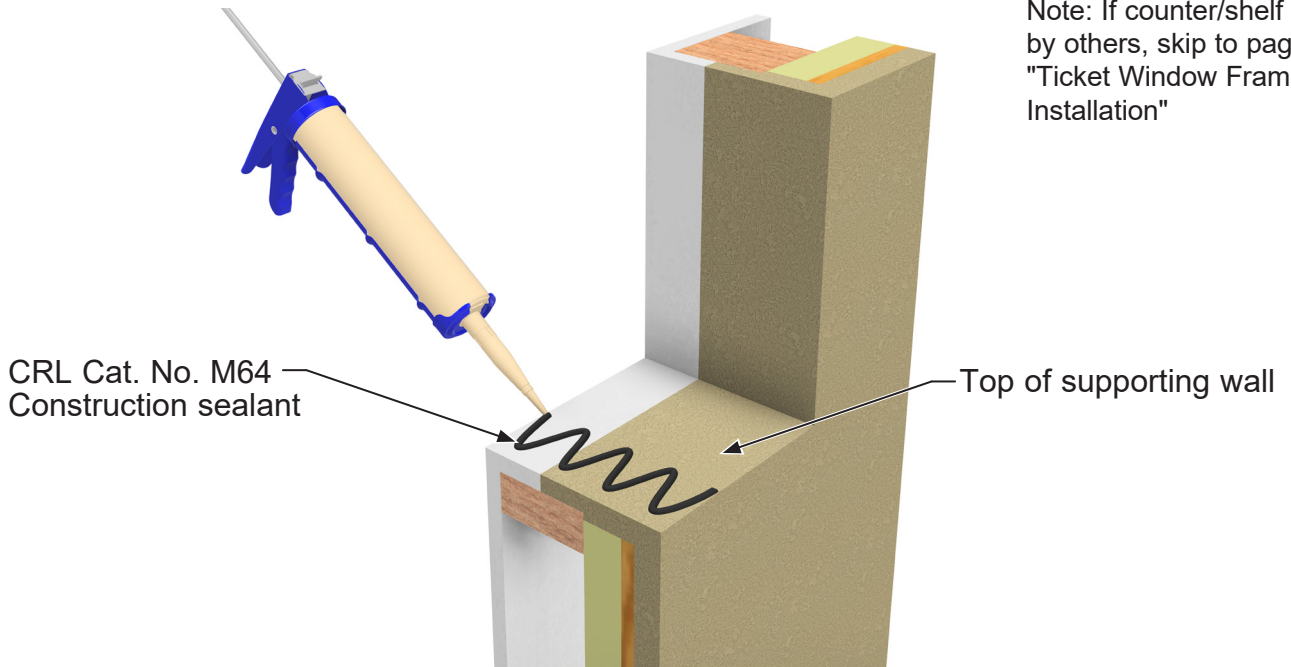
Wall opening height is recommended 1/4" minimum more than the window height.

Drill holes in the mainframe jambs and header every 6"-to-8" for fasteners appropriate for the substrate. Countersinking is not necessary for the SCW window frame, because the channel where the screws are located has a Snap-On Cover.

**NOTE: Modifications, other than those specified in this document, may void the manufacturer's warranties.**

# CRL SCW102 TICKET WINDOW

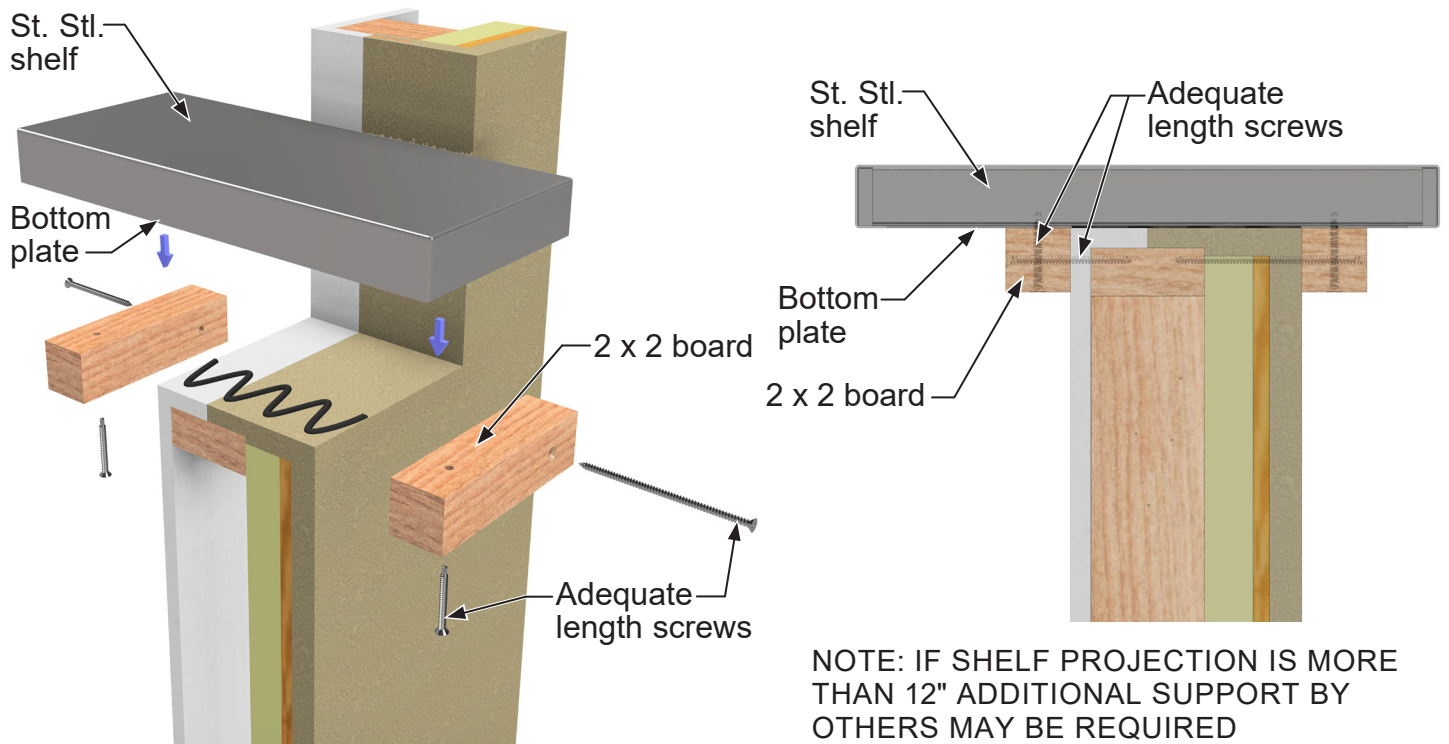
## SUPPORTING WALL PREPARATION



Note: If counter/shelf is by others, skip to page 6 "Ticket Window Frame Installation"

1. Apply **CRL Cat. No. M64** construction sealant between the shelf's bottom plate and the top of the supporting wall for additional strength.

## UNDER-SHELF INSTALLATION (OPTION "A")

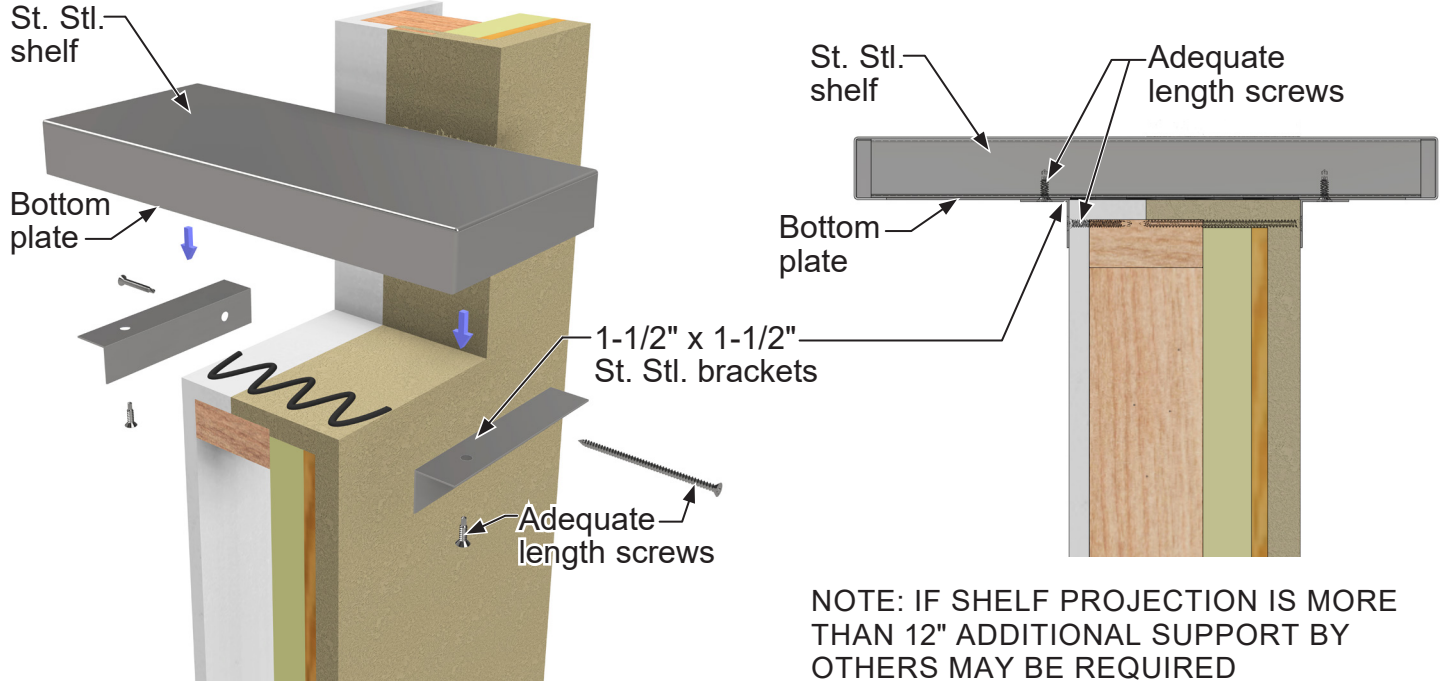


NOTE: IF SHELF PROJECTION IS MORE THAN 12" ADDITIONAL SUPPORT BY OTHERS MAY BE REQUIRED

- A. Drill and countersink 2" x 2" boards in the appropriate attachment area. Secure the 2 x 2 boards to both sides of the wall even with the bottom of the opening. Secure the shelf from the underside using screws of adequate length (not included).

# CRL SCW102 TICKET WINDOW

## UNDER-SHELF INSTALLATION USING ST. STL. BRACKETS (OPTION "B")



NOTE: IF SHELF PROJECTION IS MORE THAN 12" ADDITIONAL SUPPORT BY OTHERS MAY BE REQUIRED

- B. Drill and countersink 1-1/2" x 1-1/2" St. Stl. brackets in the appropriate attachment area. Secure the 1-1/2" x 1-1/2" St. Stl. brackets to both sides of the wall even with the bottom of the opening. Secure the shelf from the underside using screws of adequate length (not included).

### STAINLESS STEEL BRACKETS (OPTIONAL)

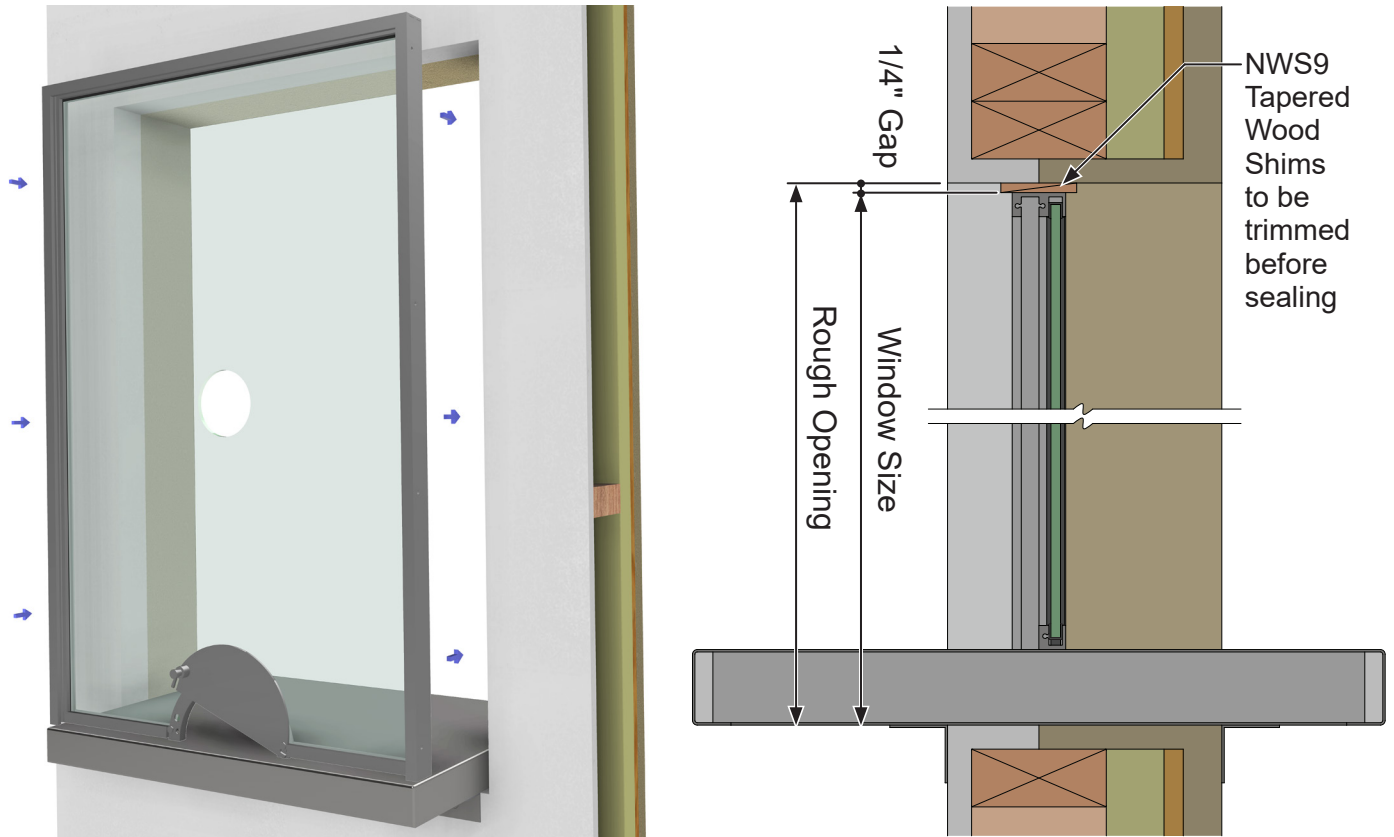
Stainless Steel Shelf Brackets are available in seven lengths from 24" to 96". They are made from 1-1/2" x 1-1/2" 16 gauge brushed stainless steel angle to match the shelf finish. Brackets are not drilled, so the installer has the option of drilling holes only where they are needed. Brackets are sold only in pairs.

#### CRL Shelf Brackets

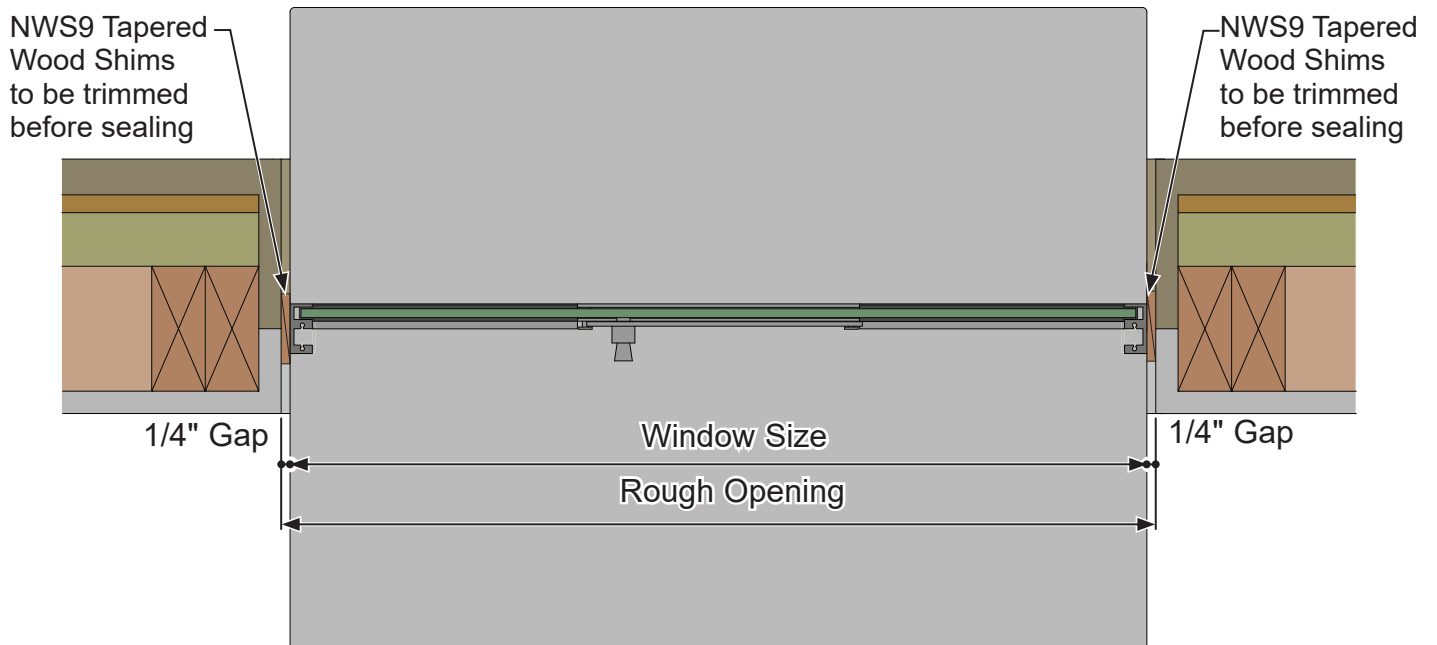
CAT. NO. LENGTH		
SSSB24	24"	
SSSB30	30"	
SSSB36	36"	
SSSB48	48"	
SSSB60	60"	
SSSB72	72"	
SSSB96	96"	

# CRL SCW102 TICKET WINDOW

## TICKET WINDOW FRAME INSTALLATION

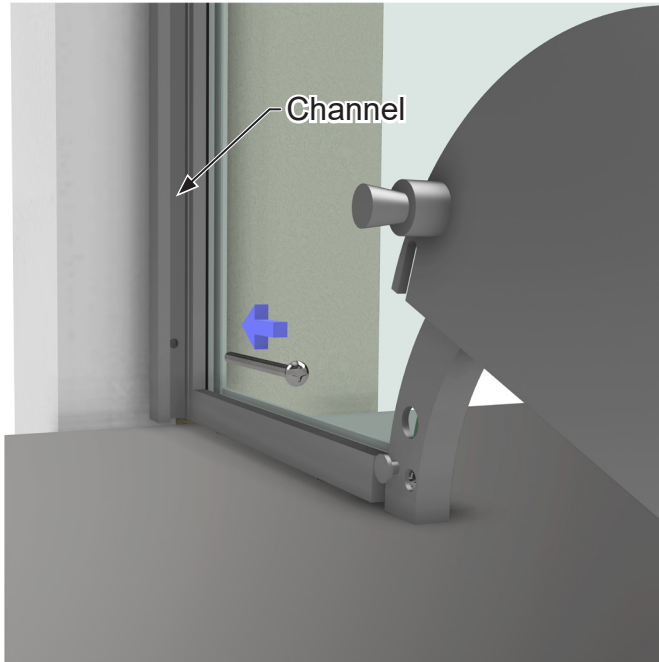


2. Insert the ticket window frame into the opening, with the bottom of the frame setting flush on the shelf (or counter by others). Starting at the top, shim down both sides with CRL Cat. No. NWS9 Tapered Wood Shims (not included) at equal intervals paired on inside and outside. Drive screws through the jambs without tightening all the way. Gently tap shims together to achieve a tight fit, confirming frame remains square in the opening with equal gaps all around. Tighten jamb screws and repeat procedure at header.

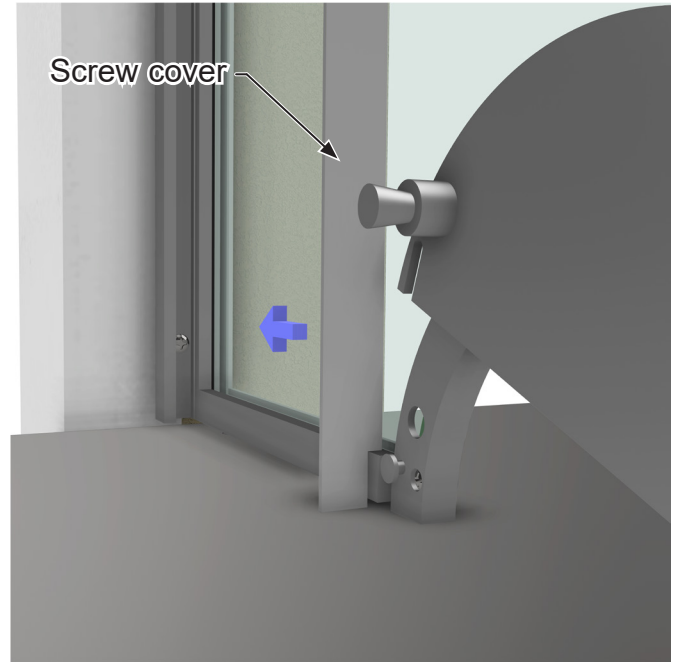


# CRL SCW102 TICKET WINDOW

## TICKET WINDOW FRAME INSTALLATION

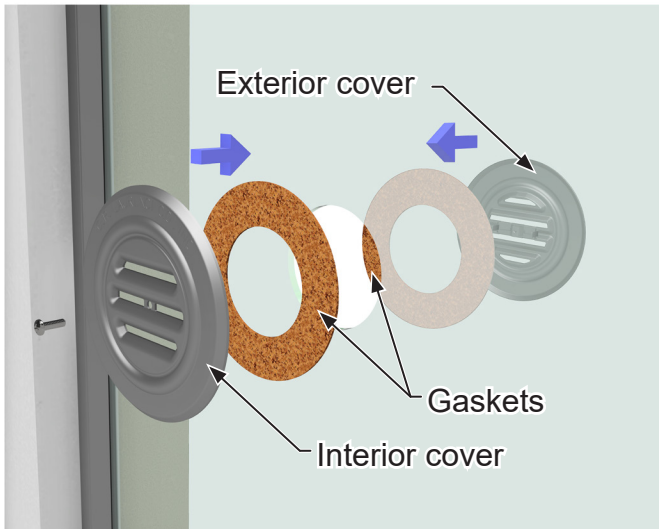


3. After the frame is secured, use CRL Cat. No. 199 Utility Knife (not included) to trim ends of wood shims in preparation for sealing frame.



4. After trimming has been completed, snap in the screw covers.

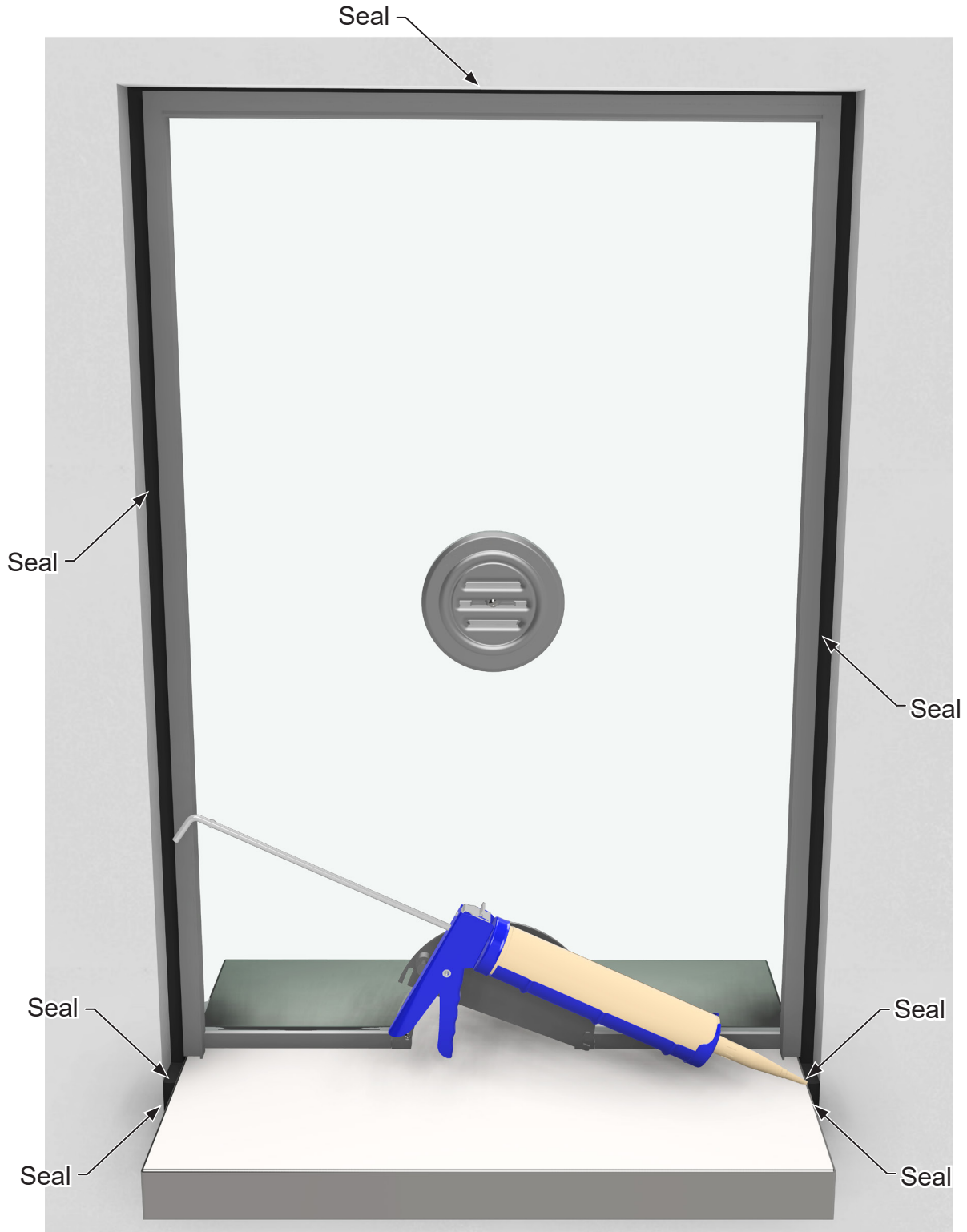
## SPEAK THRU INSTALLATION



5. The Speak Hole Cover is packaged separately during shipping, inside the window package. Remove the screw, and separate the interior and exterior covers and gaskets. Insert the exterior cover and gasket on the glass cut out from the exterior side. Place the interior cover and gasket on the glass cutout from the interior side. Secure by fastening the screw through the interior cover and tighten.

# CRL SCW102 TICKET WINDOW

## SEAL THE PERIMETER



6. Seal the exterior and interior perimeters using **CRL Cat. No. M64** construction sealant.
7. Clean the window thoroughly with **CRL Cat. No. 1973** Glass Cleaner (not included) and **CRL Cat. No. 1550** Lint Free Shop Towels (not included).



# CRL SCW102 TICKET WINDOW

---

This Concludes the Installation Manual for your product. We hope that this guide has been helpful. Should you need further assistance, our knowledgeable Technical Sales Department is available at no charge during regular business hours. Please have your Order Number ready before calling.



"WE'RE HERE TO HELP"  
**TECHNICAL SALES**  
1-323-588-1281

Or Visit our Websites at:  
**www.crlaurence.com** or  
**www.usalum.com**

**Glass and Glazing Assistance** .....Ext: 15275  
Tools, Hardware, Sealants, Safety Gear, U.V., and Equipment

**Architectural Hardware** .....Ext: 17700  
Entrances and Storefronts, Balanced, Stacking, and Sliding Doors

**Architectural and Ornamental Metals** .....Ext: 17700  
Formed Sheet Metal, Awnings, Columns, and Wall Panels

**Shower Doors** .....Ext: 17740  
Hinges, Handles, Enclosures, Grab Bars, and Partitions

**Transaction and Hospitality** .....Ext: 17760  
Bullet Resistant, Drive Thru, Sneeze Guards, and Ticket Windows

**Door and Window Control Hardware** .....Ext: 17520  
Jackson Overhead Concealed Closers, Surface Closures, Locks

**Blumcraft Architectural Metals** .....Ext: 17700  
Tempered Glass Doors, Panic Hardware, Glass Gates, and Baffles

**U.S. Aluminum** .....Ext: 15305  
Storefronts, Entrances, Curtain Walls, Window Walls, and Partitions

**Architectural Railings** .....Ext: 17730  
Cap, Hand, Post, Wind Screen, Base Shoe, and TaperLoc

**Automotive** .....Ext: 17780  
Automotive Glazing Supplies, Truck Sliders, and RV Windows