

PRIMA
EZ-Adjust Header Mount Hinge
CAT. NO. PPH06

***NOTE:** Do not exceed either maximum weight or width when choosing proper quantity of hinges.

For Technical Assistance in the United States and Canada 1.800.421.6144. Press 2, then option 1

C.R. Laurence Co., Inc. • 2503 E. Vernon Ave., Los Angeles, CA 90058 • 1.800.421.6144 • crlaurence.com

Important Information:

Template Options: The Prima EZ-Adjust Header Mount PPH06 Hinge offers three template options, depending upon the capabilities of the temperer (see lower left of this page). The Preferred Method allows a full vertical seal along the hinge side. The Alternate Method leaves a short leg of glass, thus not allowing a full length vertical seal. The Inset Mount Template is beneficial for two reasons. It allows a full length vertical seal. Also, by inseting the hinge a certain distance towards the center of the door, it enables the door to avoid hitting a towel bar, or some other protrusion from the wall.

Specifications:

Glass Sizes: 5/16" (8mm) to 3/8" (10mm) thick tempered safety glass
 Construction: Solid brass
 Closing Type: Self-centering when within 15° of closed position
 Cutout Required
 Includes: Gaskets, screws and template

Maximum Door Capacities for Two Hinges

Maximum Door Weight: 100 lbs.(46 kg)
 Maximum Door Width: 31"(787mm)

Use of Gaskets:

For 5/16"(8mm) Glass: Use one thick gasket and one thin gasket on each side
 For 3/8"(10mm) Glass: Use one thick gasket on each side

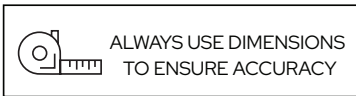
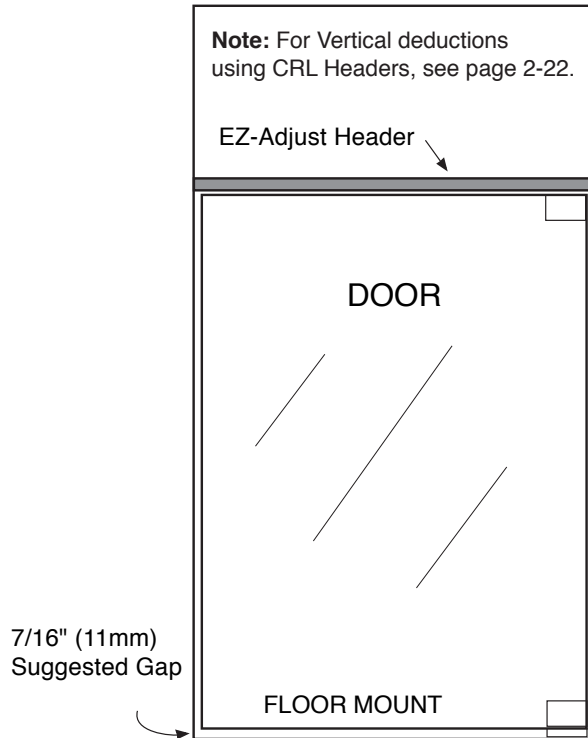
Recommendations:

For public safety, we recommend the use of only tempered safety glass. Do not use power tools when installing these hinges.

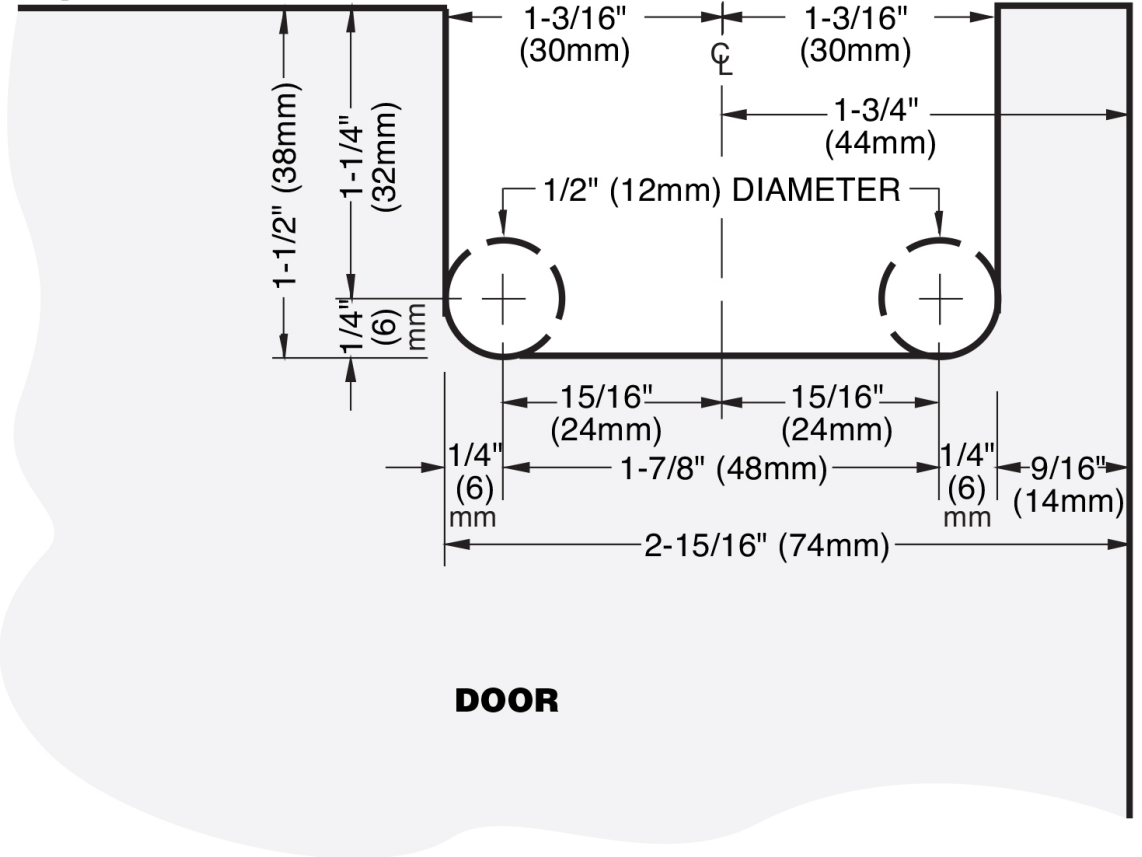
Maintenance Guidelines:

- Never use an abrasive cleaner on the hardware. Many of the components are coated with a clear lacquer that will be irreparably damaged if subjected to harsh, abrasive chemicals. Advise your customer that drying the hardware with a clean, soft towel on a daily basis is the best way to maintain the hardware. If mineral deposits build-up, mix a couple of drops of a mild liquid soap (such as Ivory or a similar product) into a cup of warm water. Using a soft, non-abrasive cloth, clean the hardware. Rinse thoroughly with clean, warm water and dry.

IMPORTANT: Project measurements from the edge of the glass.



Top of Door



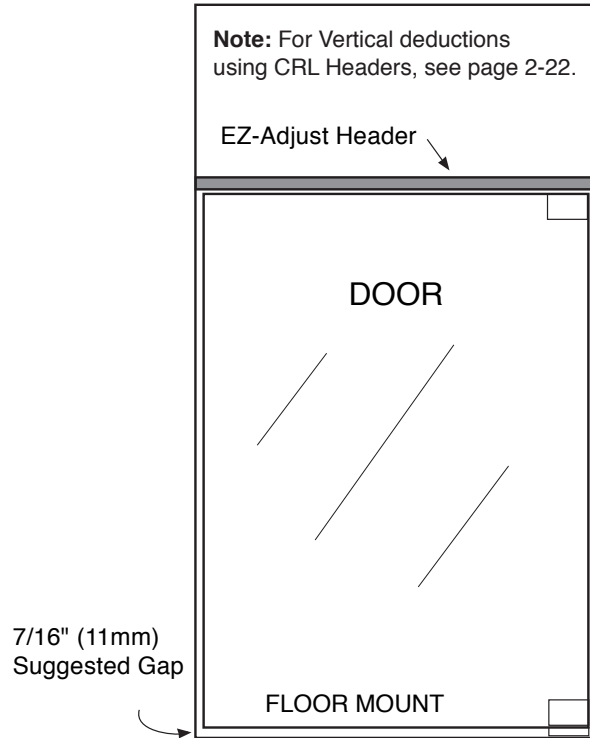
PRIMA

EZ-Adjust Header Mount Hinge

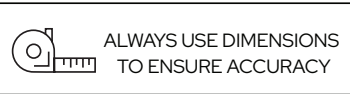
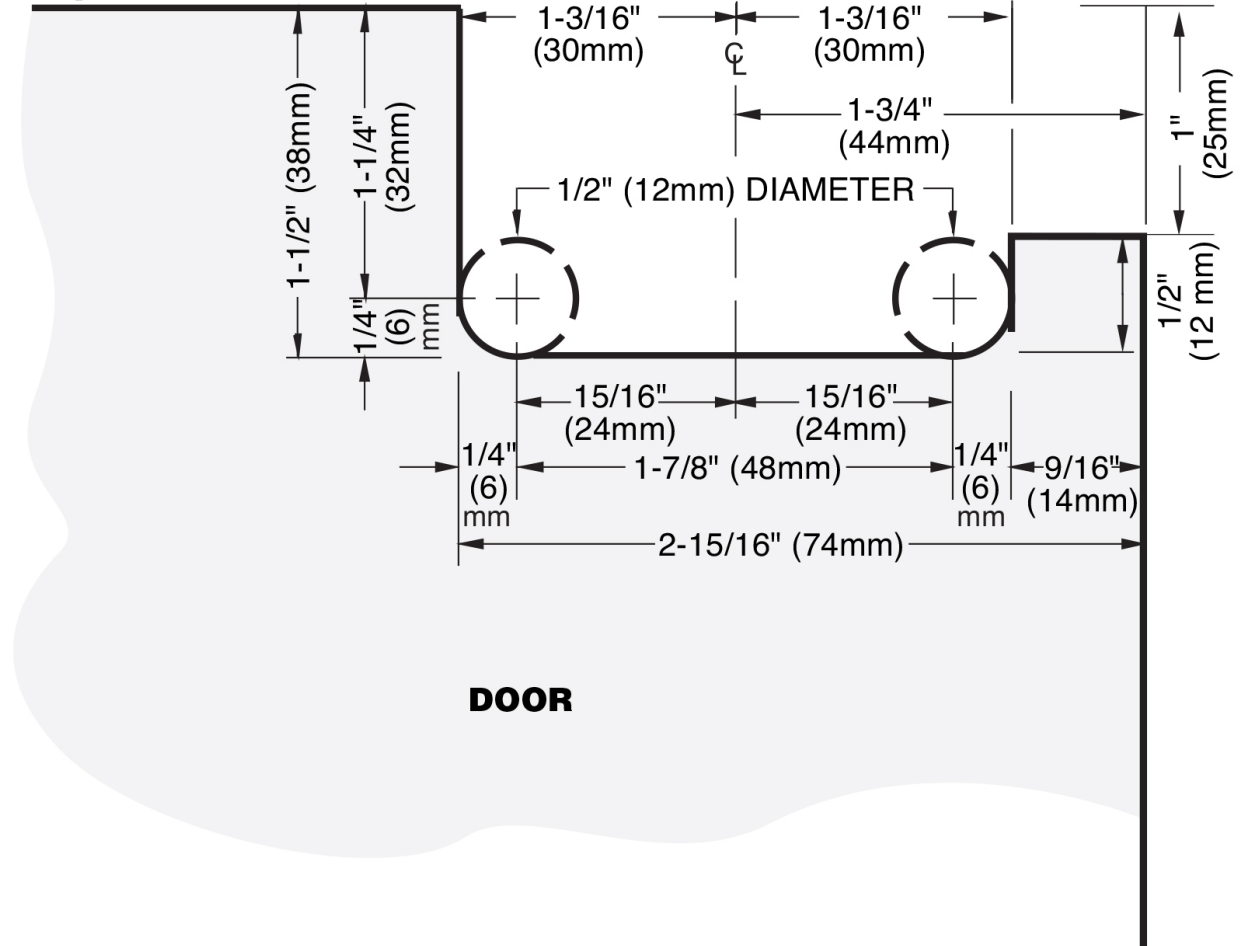
CAT. NO. PPH06

EZ-Adjust Header Mount Preferred Method

IMPORTANT: Project measurements from the edge of the glass.



Top of Door



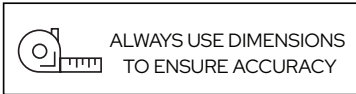
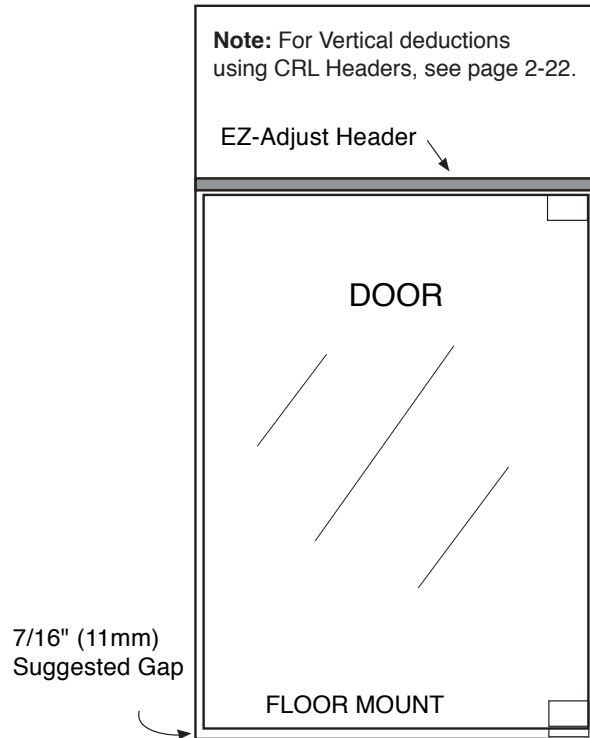
PRIMA

EZ-Adjust Header Mount Hinge

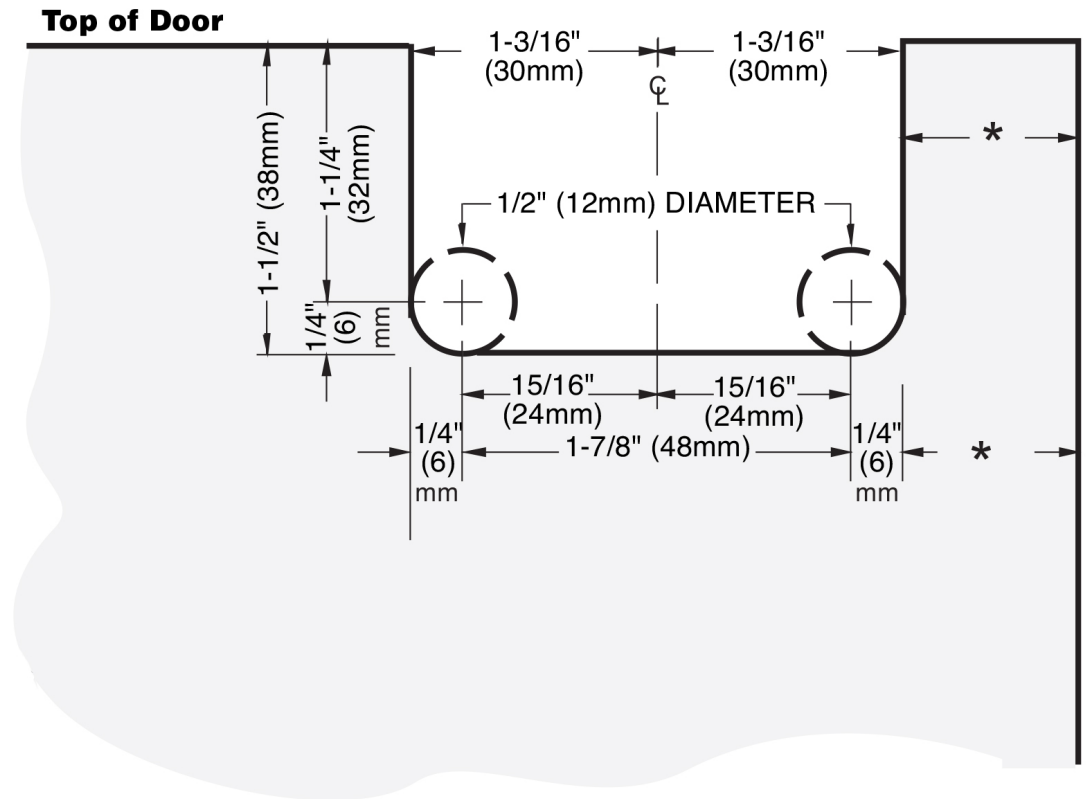
CAT. NO. PPH06

EZ-Adjust Header Mount Alternate Method

IMPORTANT: Project measurements from the edge of the glass.



*This measurement varies depending on the amount of inset you desire.



PRIMA

EZ-Adjust Header Mount Hinge

CAT. NO. PPH06

EZ-Adjust Header Mount Inset Method