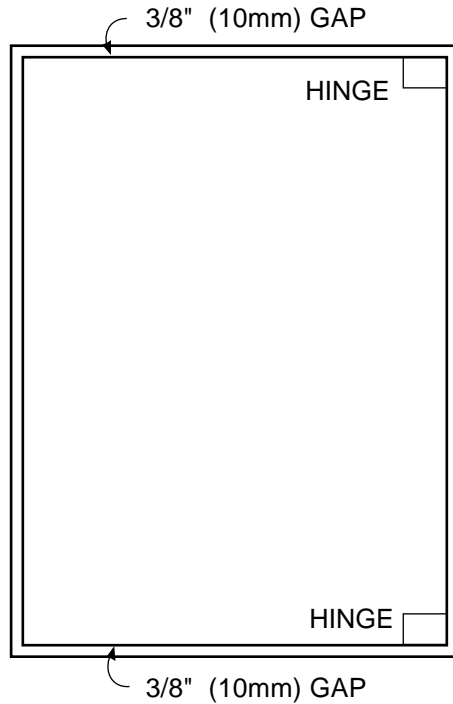


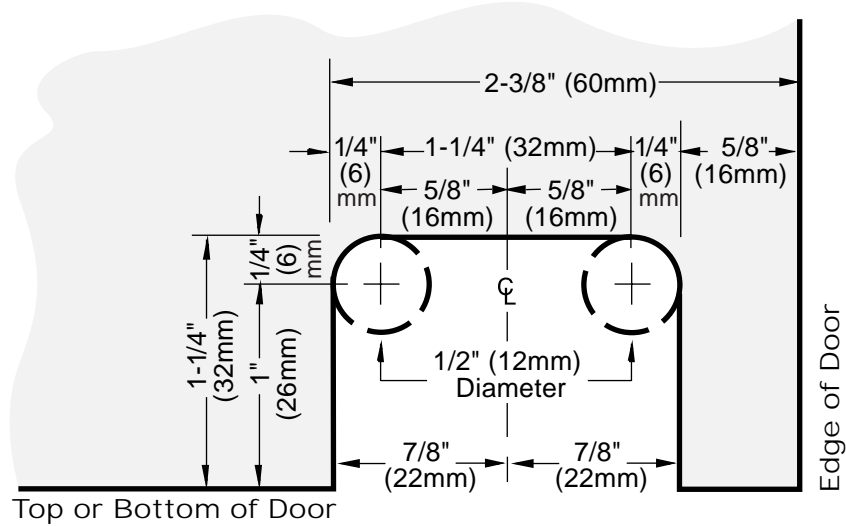


C.R. LAURENCE CO., INC.
PROFESSIONAL QUALITY

Note: Disregard top clearance shown if using CRL Junior Header Kit. See page 2-22A for vertical deductions



IMPORTANT:
 Project measurements from the edge of the glass.



JUNIOR PRIMA

Top or Bottom Mount Hinge
 CAT No. JRPPH01
 Edge Mount Option (full leg) 3/8" (10mm) Clearance

