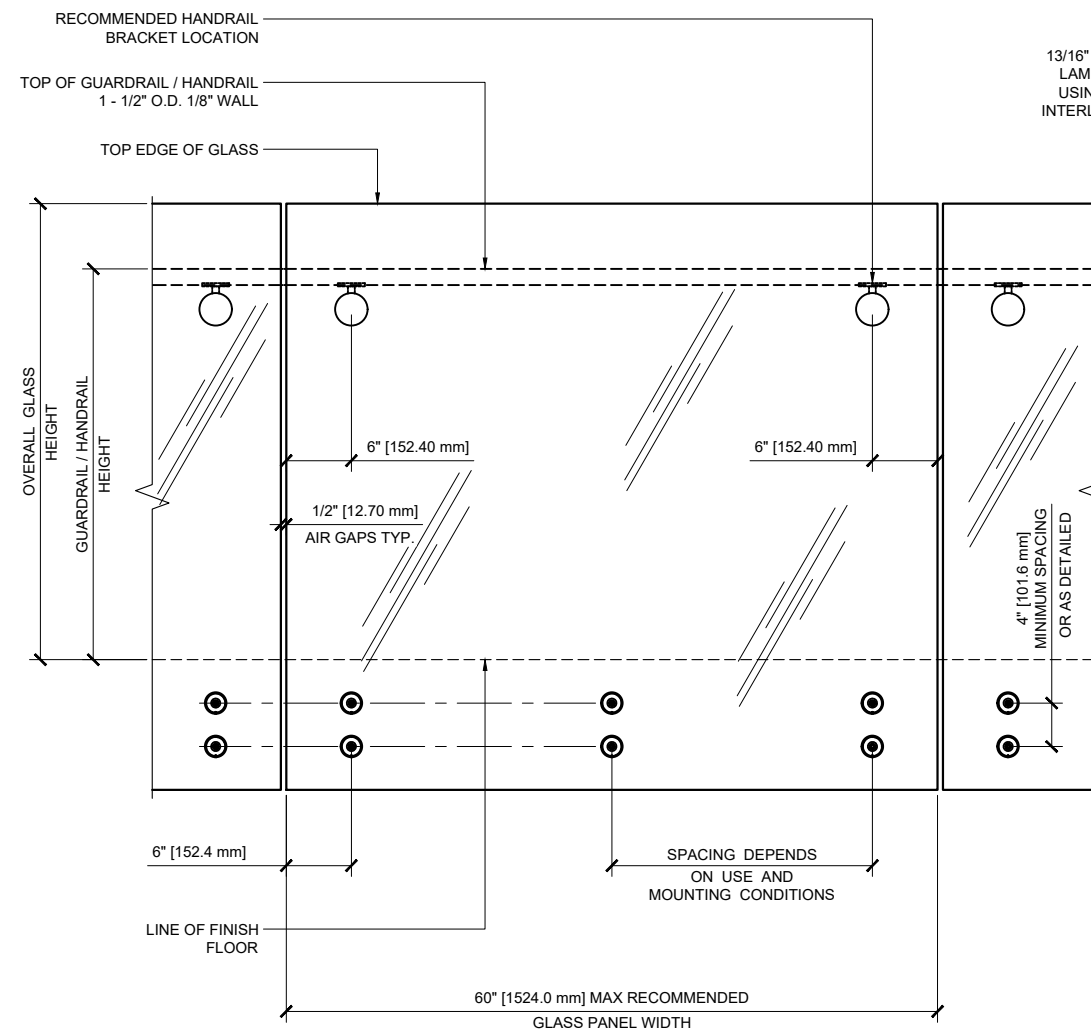


CRL ADJUSTABLE STANDOFF RAILING SYSTEM

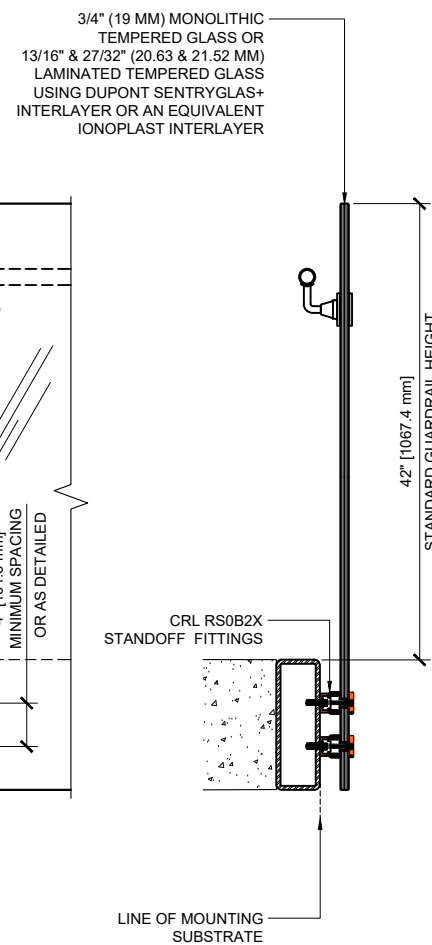
CRL GLASS RAIL STANDOFF FITTINGS RS0B2XBS, RS0B2XPS, RS0B2XMBL

THESE HEAVY DUTY RAILING STANDOFFS ARE DESIGNED FOR GLASS HANDRAIL OR GUARDRAIL APPLICATION STANDARDS. THE SINGLE STANDOFF FITTING HAS A 2" (51 mm) DIAMETER x 1-7/8" (48 mm) - 2-3/8" (61 mm) ADJUSTABLE PROJECTION FROM THE INSTALLED ATTACHMENT POINT.

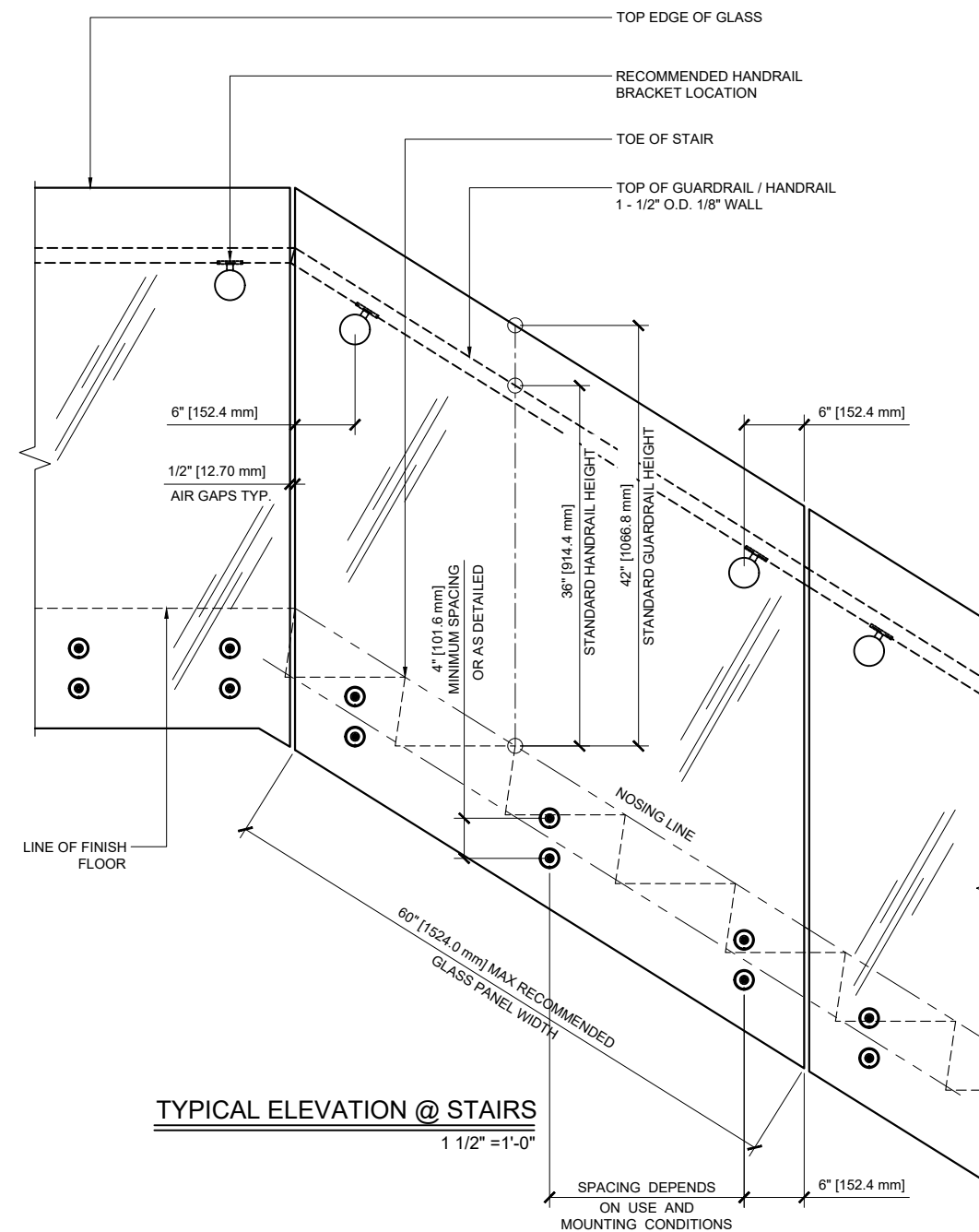
- * COMPACT DESIGN WITH BASE AND CAP FOR ADJUSTMENT AS NEEDED.
- * FOR USE WITH 3/4" TO 27/32" (19.05 mm to 21.52 mm) GLASS
- * MATTE BLACK OR BRUSHED/POLISHED 316 GRADE STAINLESS STEEL FINISHES AVAILABLE
- * DESIGNED TO ATTACH TO STEEL, WOOD, AND CONCRETE SUBSTRATES



TYPICAL STANDOFF GLASS RAIL ELEVATION
STANDOFF FITTING RS0B2X 1 1/2" = 1'-0"



TYPICAL SECTION
1 1/2" = 1'-0"



TYPICAL ELEVATION @ STAIRS
1 1/2" = 1'-0"

Revisions By:

CRL

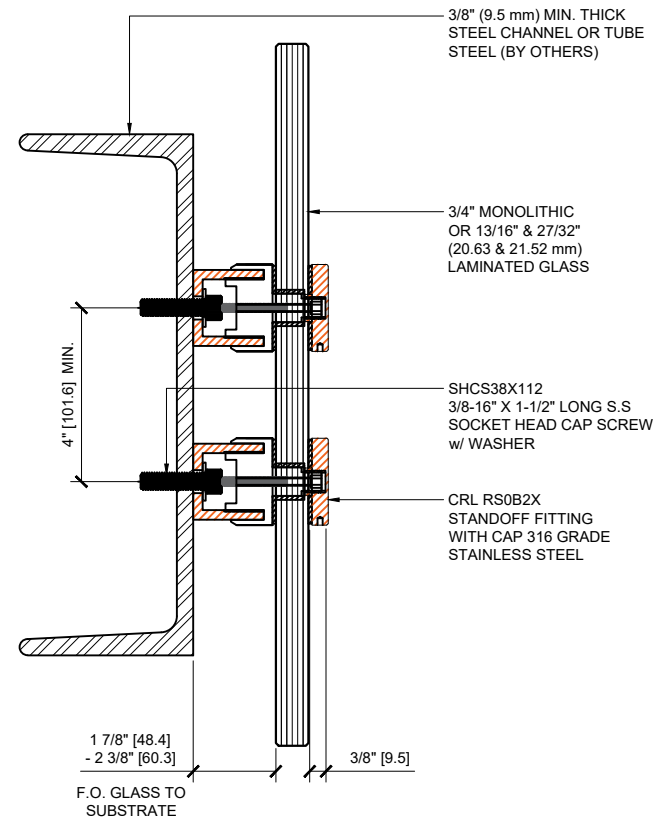
C.R. LAURENCE CO. ARCHITECTURAL PRODUCTS
2503 E. Vernon Avenue, Los Angeles, CA 90058-1897
PH (800)-421-6144 FX: 800-587-7501 www.crlaurence.com

Description:
C. R. L.
ADJUSTABLE STANDOFF RAILING
SYSTEM DRAWINGS

Drawn By: RPD \ MS
Date: 02/08/24
Scale: AS NOTED
File Name: ADJ Standoff.dwg

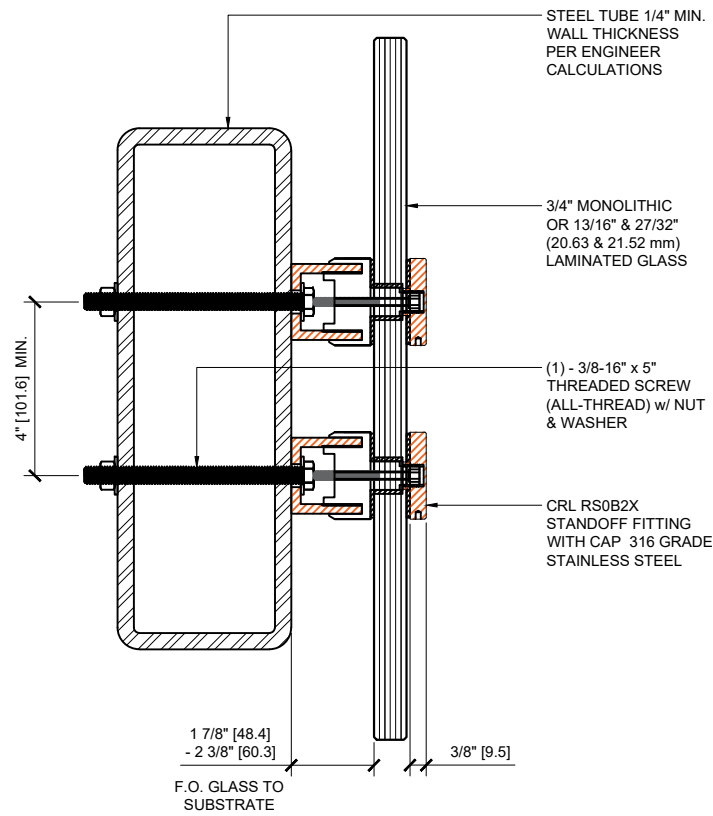
Sheet

ADJUSTABLE STANDOFF RAILING SYSTEM



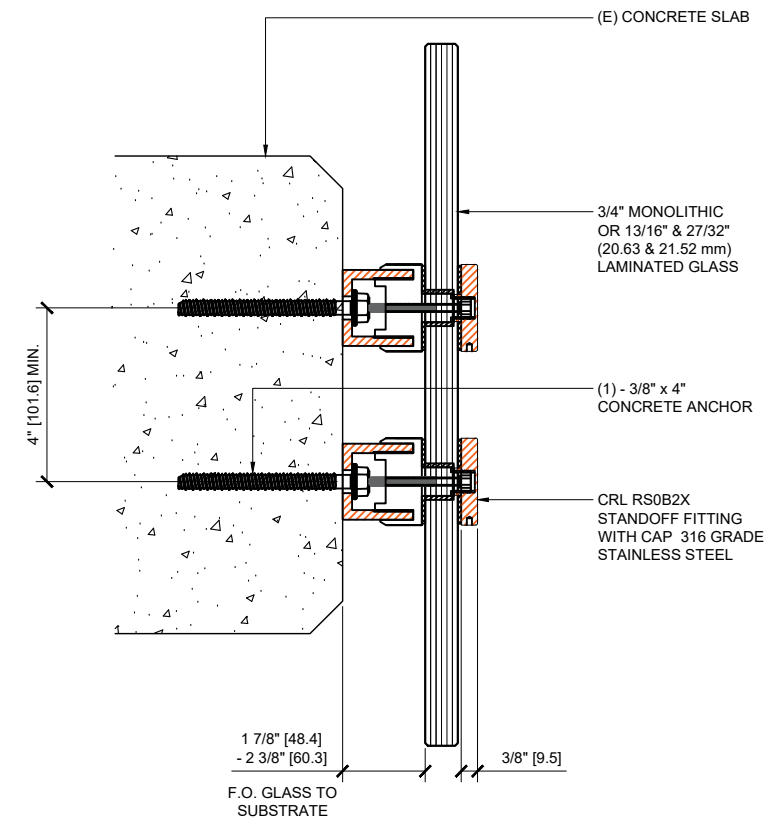
TYPICAL FASCIA MOUNT DETAIL

CRL RS0B2X ON STEEL CHANNEL SUBSTRATE 6" = 1'-0"



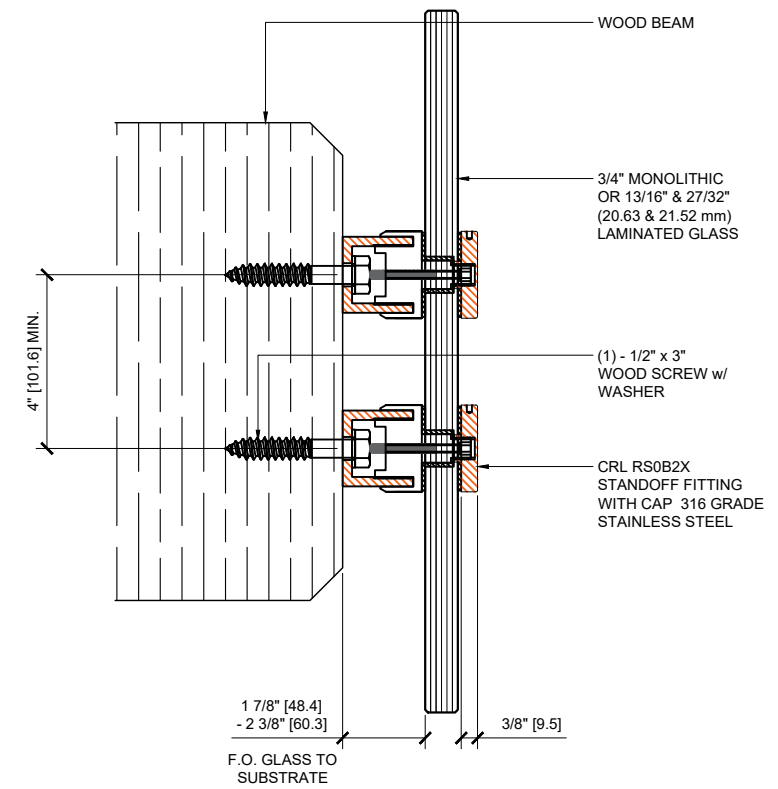
TYPICAL FASCIA MOUNT DETAIL

CRL RS0B2X ON STEEL TUBE SUBSTRATE 6" = 1'-0"



TYPICAL FASCIA MOUNT DETAIL_{6" = 1'-0"}

CRL RS0B2X ON CONCRETE SUBSTRATE



TYPICAL FASCIA MOUNT DETAIL_{6" = 1'-0"}

CRL RS0B2X ON WOOD SUBSTRATE

Revisions By:

CRL

C.R. LAURENCE CO. ARCHITECTURAL PRODUCTS
2503 E. Vermont Avenue, Los Angeles, CA 90058-1897
PH (800)-421-6144 FX: 800-587-7501 www.crlaurence.com

Description:
C. R. L.
ADJUSTABLE STANDOFF RAILING
SYSTEM DRAWINGS

Drawn By: RPD \ MS

Date: 02/08/24

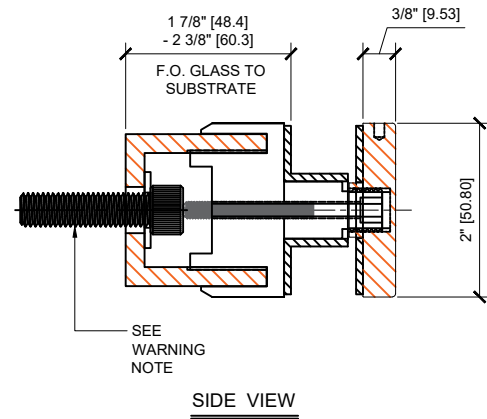
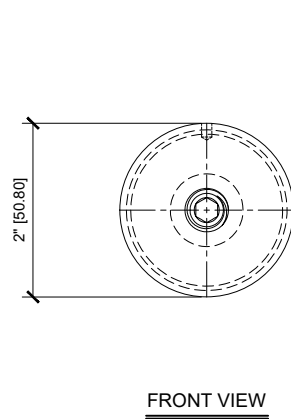
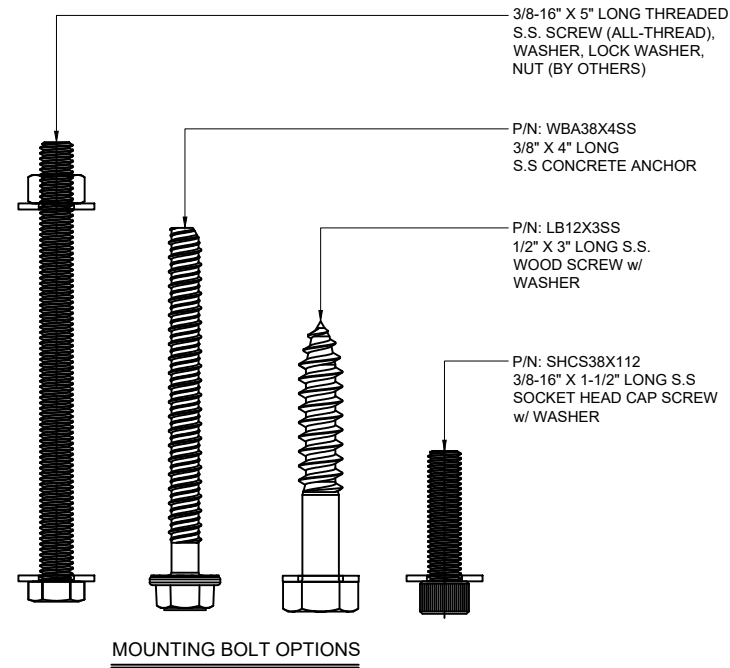
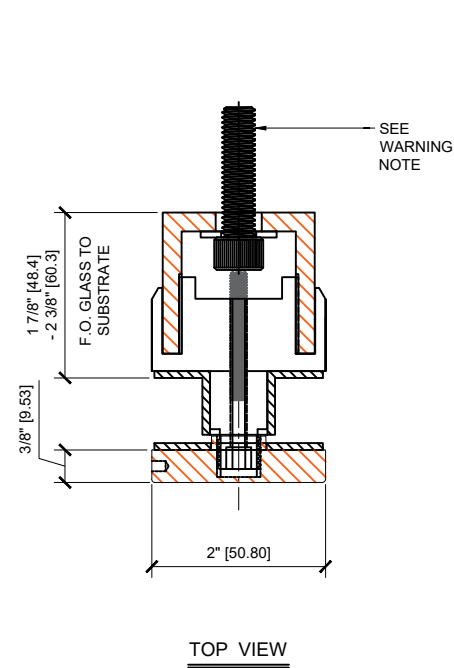
Scale: AS NOTED

File Name: ADJ Standoff.dwg

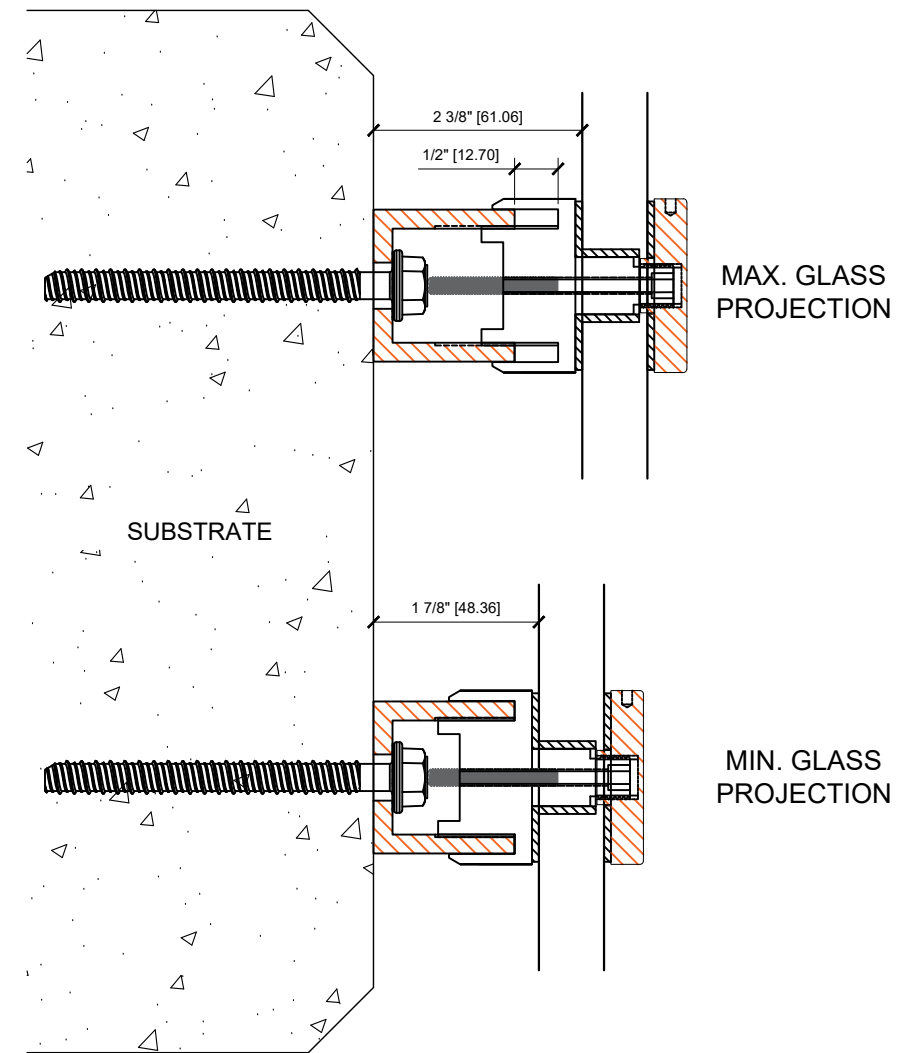
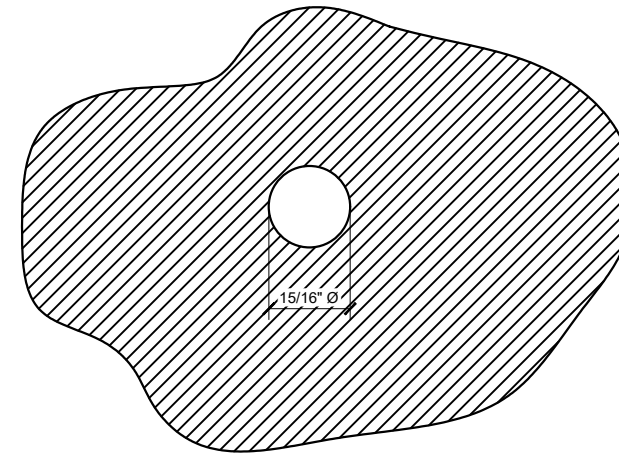
Sheet

ADJUSTABLE STANDOFF RAILING SYSTEM

WARNING:
 1. NOT RECOMMENDED FOR WOOD FASCIA ATTACHMENT EXCEPT FOR CASES WITH ENGINEER'S APPROVAL. FOR WOOD OR ALUMINUM FASCIA APPLICATIONS, ENGINEER TO SPECIFY MINIMUM HORIZONTAL & VERTICAL SPACING BETWEEN STANDOFF FITTINGS AND TYPE OF MOUNTING FASTENERS TO BE USED.



RS0B2X STANDOFF FITTING
 316 GRADE STAINLESS STEEL 1'-0" = 1'-0"



Revisions By:

CRL

C.R. LAURENCE CO. ARCHITECTURAL PRODUCTS
 2503 E. Vernon Avenue, Los Angeles, CA 90058-1897
 PH (800)-421-6144 FX: 800-587-7501 www.crlaurence.com

Description:
 C. R. L.
 ADJUSTABLE STANDOFF RAILING
 SYSTEM DRAWINGS

Drawn By: RPD \ MS
 Date: 02/08/24
 Scale: AS NOTED
 File Name: ADJ Standoff.dwg

Sheet

3