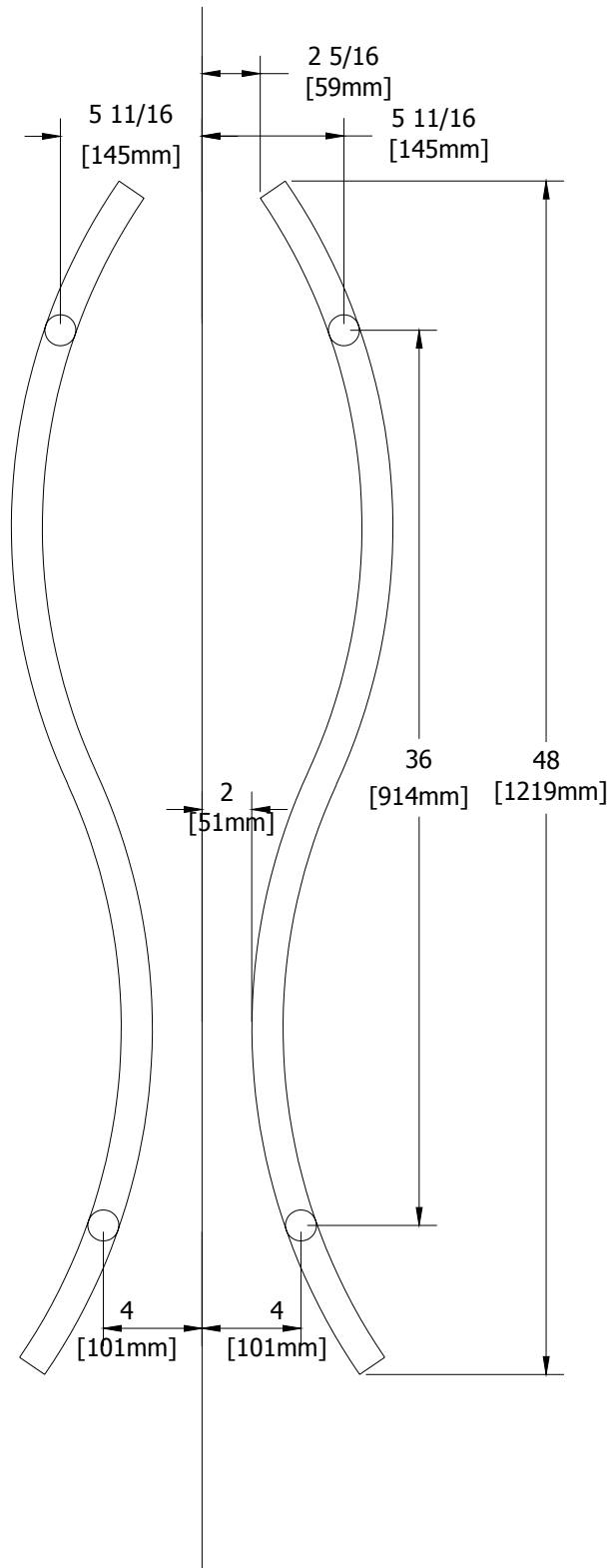


Glass Fabrication:
 $\frac{3}{8}$ "[10mm] and $\frac{1}{2}$ "[12mm]:
 $\text{Ø}\frac{5}{8}$ "[16mm] holes

$\frac{3}{4}$ "[19mm]:
 $\text{Ø}\frac{3}{4}$ "[19mm] holes

48SRPBS
 48SRPPS

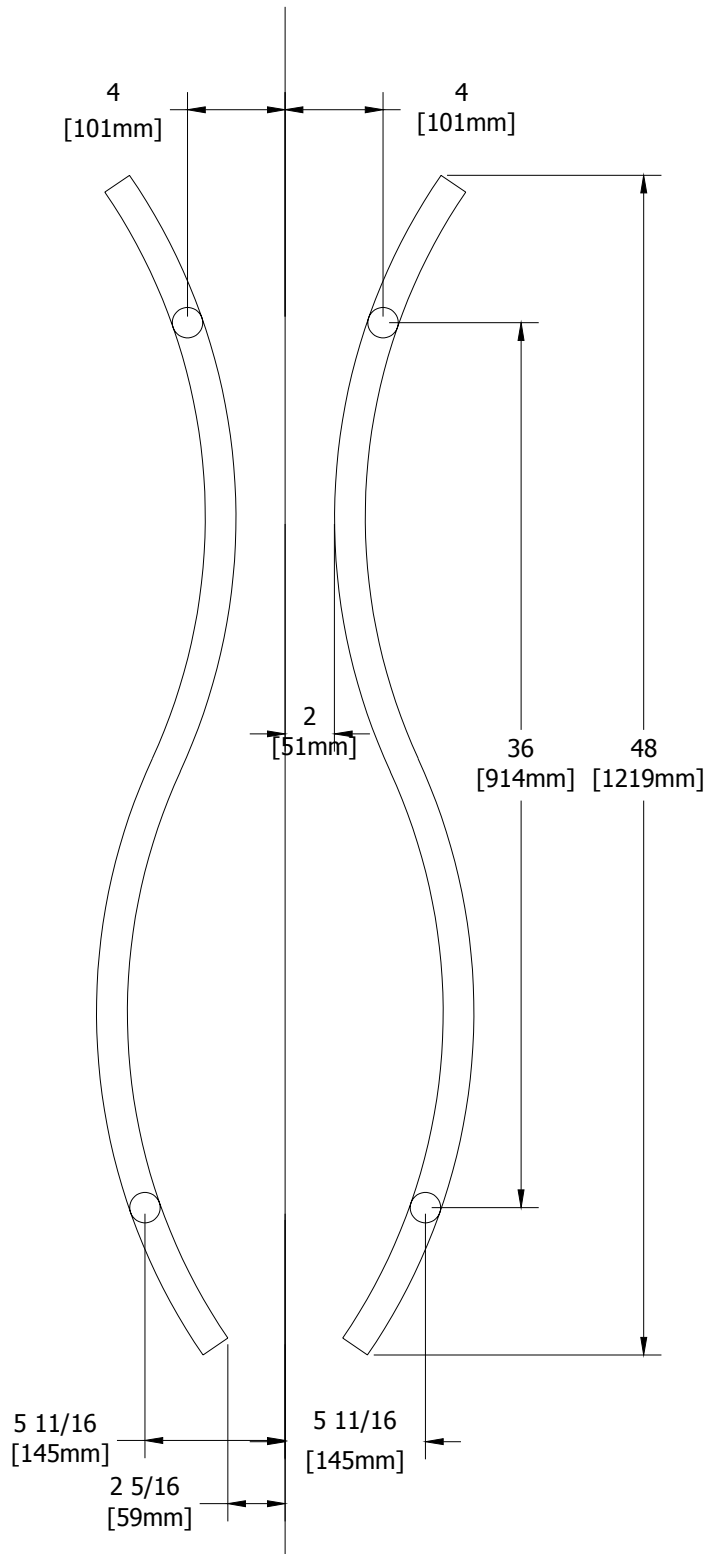


48SLPBS
48SLPPS

48SRPBS
48SRPPS

Glass Fabrication:
3/8"[10mm] and 1/2"[12mm]:
Ø5/8"[16mm] holes

3/4"[19mm]:
Ø3/4"[19mm] holes

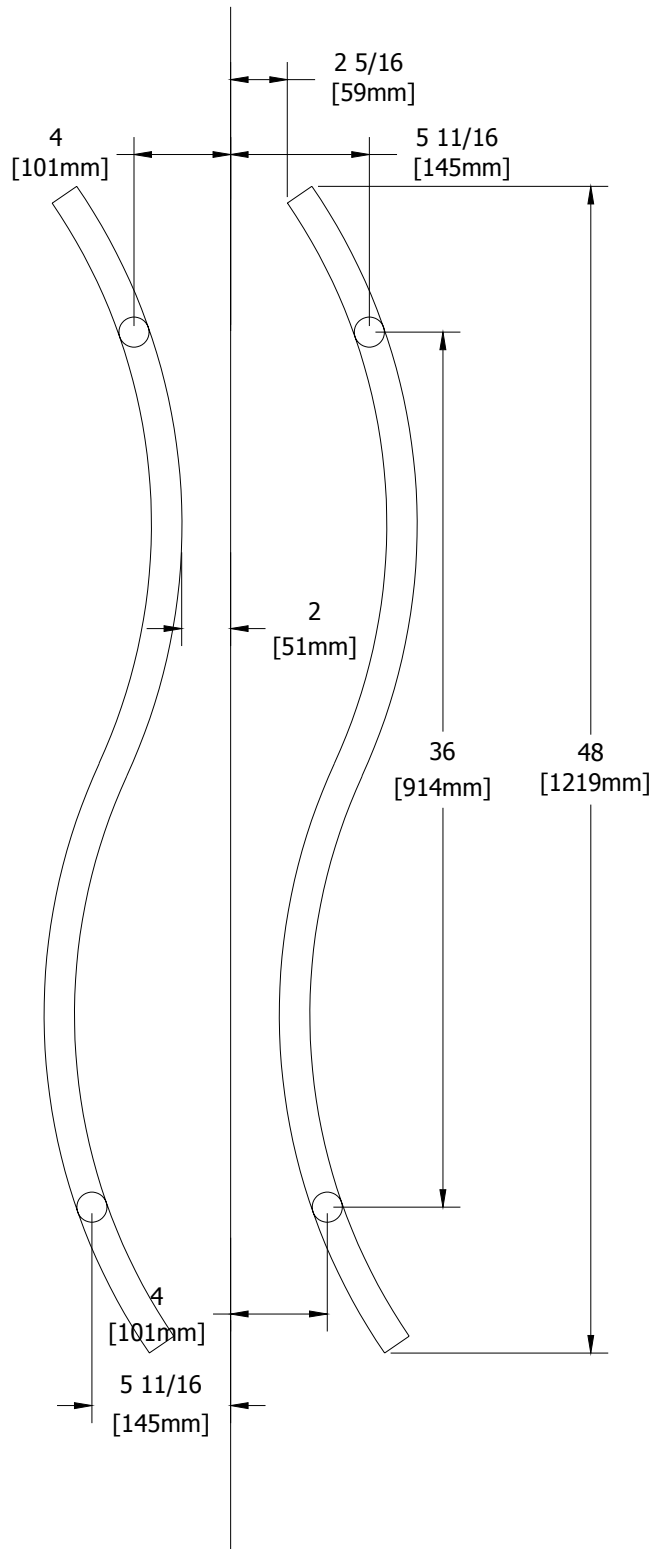


48SRPBS
48SRPPS

48SLPBS
48SLPPS

Glass Fabrication:
3/8" [10mm] and 1/2" [12mm]:
Ø5/8" [16mm] holes

3/4" [19mm]:
Ø3/4" [19mm] holes



48SRPBS
48SRPPS

48SRPBS
48SRPPS

Glass Fabrication:
3/8"[10mm] and 1/2"[12mm]:
Ø5/8"[16mm] holes

3/4"[19mm]:
Ø3/4"[19mm] holes