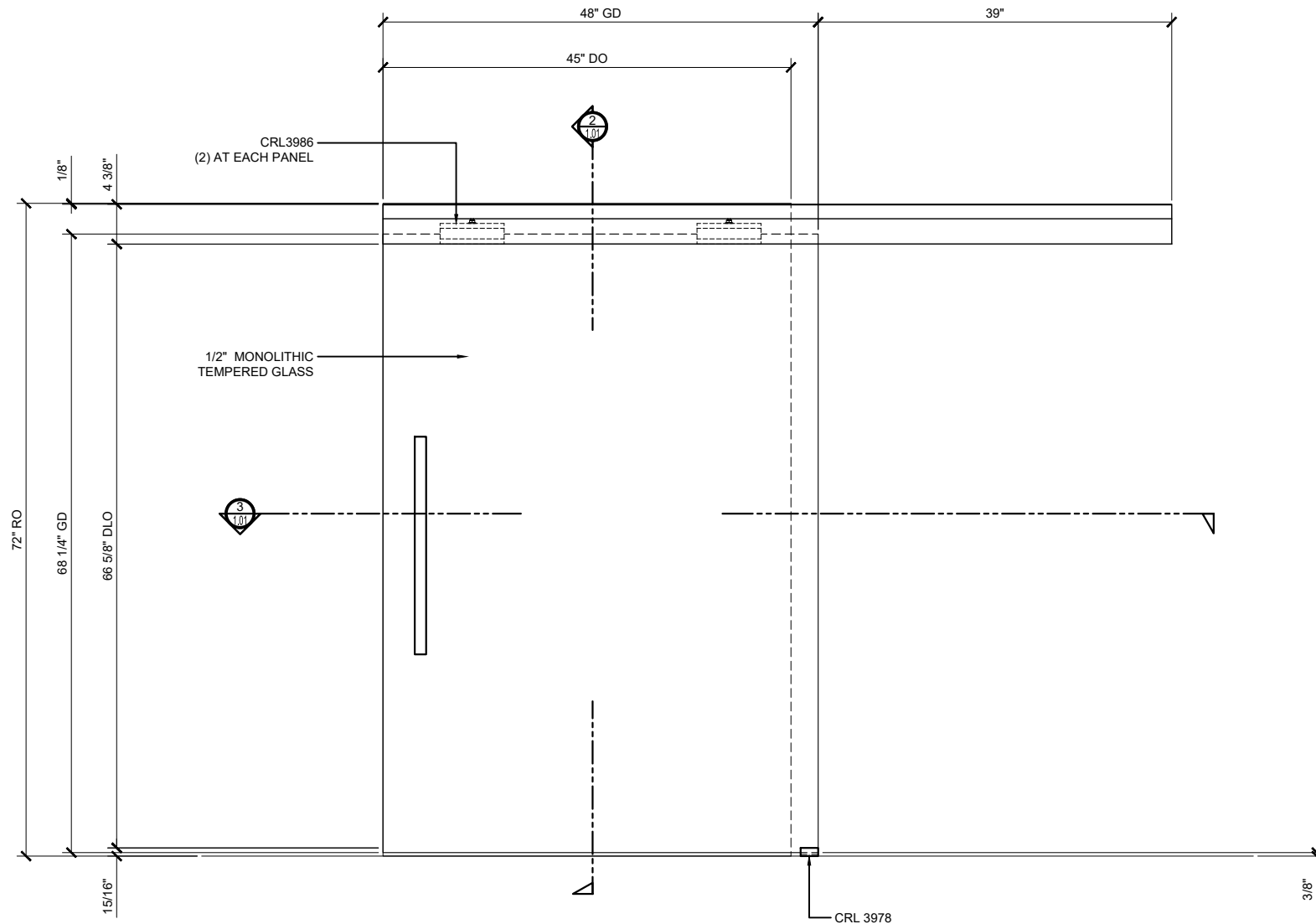
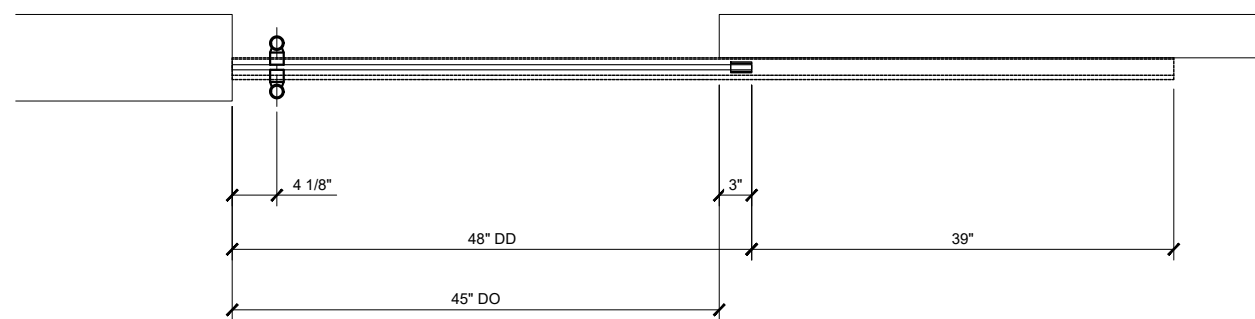


# CRL70C SERIES TOP HUNG SLIDING DOOR SYSTEM CRL70C CEILING MOUNT



① CRL70C - ELEVATION  
1 1/2"=1'-0"



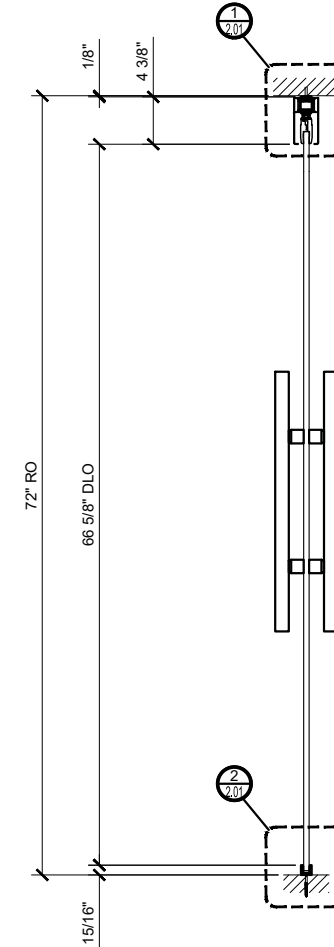
③ CRL70C - PLAN  
1 1/2"=1'-0"

\* CRL70C SERIES CEILING MOUNT SLIDING DOOR KITS ARE AVAILABLE FOR 5/16" TO 1/2" (8 TO 12 MM) TEMPERED GLASS

\* CAN ACCOMMODATE DOORS WEIGHING UP TO 275 POUNDS (125 KG), MAXIMUM GLASS DOOR WIDTH OF 59" (1.50 M)

\* SATIN ANODIZED FINISH WITH AN OPTION FOR POWDER PAINT OR CLADDING IN ANY ARCHITECTURAL FINISH DESIRED

NOTE: CRL70C KITS ARE DESIGNED FOR USE WHERE THE TOP TRACK MOUNTS TO A STRUCTURAL CEILING. KITS COME WITH ALL THE HARDWARE NEEDED TO COMPLETE THE INSTALLATION, EXCEPT THE GLASS AND DOOR PULL. FOR A DETAILED LISTING OF THE COMPONENTS OF EACH KIT GO TO [crlaurence.com/sliding-glass-doors](http://crlaurence.com/sliding-glass-doors)



② CRL70C - SECTION  
1 1/2"=1'-0"

**STRUCTURAL DISCLAIMER:**  
ALL CUSTOMERS WHO IN ANY WAY UTILIZE THIS PRODUCT ARE SOLELY RESPONSIBLE TO CONSULT A STRUCTURAL ENGINEER TO DETERMINE THE SUITABILITY OF THE PRODUCT FOR THE INTENDED USE AND SITE CONDITIONS. ALL INSTALLERS MUST BE QUALIFIED AND HAVE PROFESSIONAL KNOWLEDGE ABOUT COMPLIANCE WITH LOCAL, STATE AND FEDERAL REGULATIONS, SAFETY FACTORS, AND THE APPROPRIATE CHOICE OF FIXING MATERIAL AND PROCEDURES.

### STANDARD ABBREVIATIONS

RO	ROUGH OPENING
FD	FRAME DIMENSION
DLO	DAYLIGHT OPENING
DO	DOOR OPENING
DD	DOOR DIMENSION
GD	GLASS DIMENSION
DP	DIMENSION POINT

Revisions By:



A CRH COMPANY  
2503 E. Vernon Avenue, Los Angeles, CA 90058-1897  
PH (800)-421-6144 FAX (800)-587-7501 [www.crlaurence.com](http://www.crlaurence.com)

Description:  
CRL70 SERIES  
TOP HUNG SINGLE TRACK  
CEILING MOUNT SLIDING DOOR  
FOR 5/16" AND 1/2" GLASS

Drawn By: TGM

Date: 04/20/19

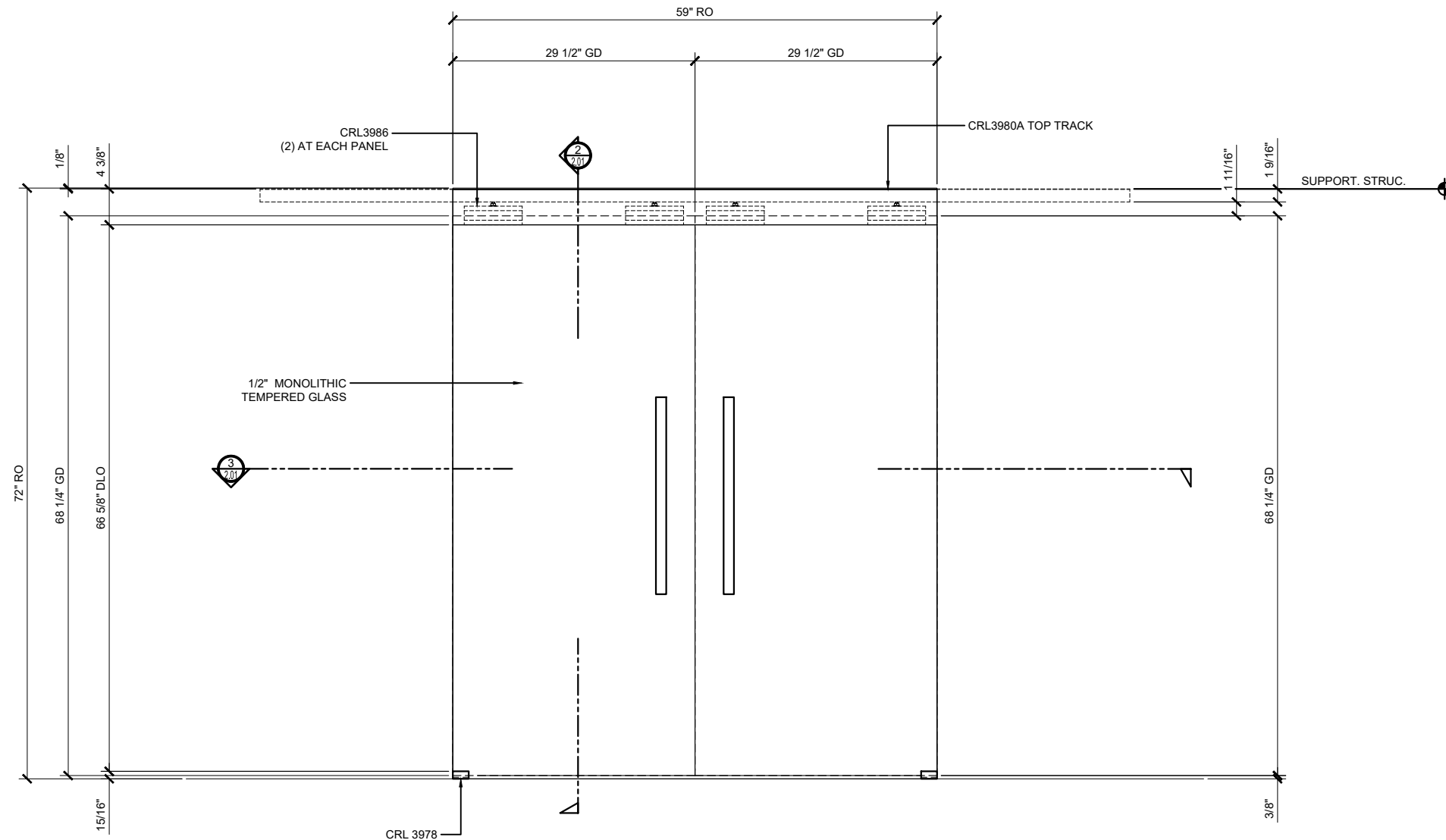
Scale: AS NOTED

File Name:

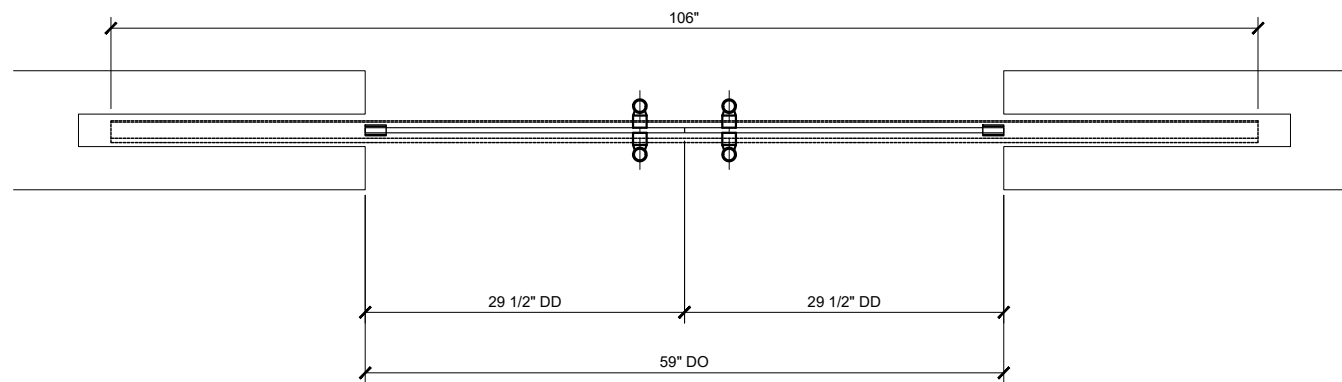
CRL70\_Top\_Hung\_Slid\_Doors.dwg

Sheet

# CRL70 SERIES TOP HUNG SLIDING DOOR SYSTEM CRL70CS2 SERIES SYNCHRONIZED BI-PARTING SLIDING DOOR CEILING MOUNT



① CRL70CS2 - ELEVATION  
1 1/2"=1'-0"



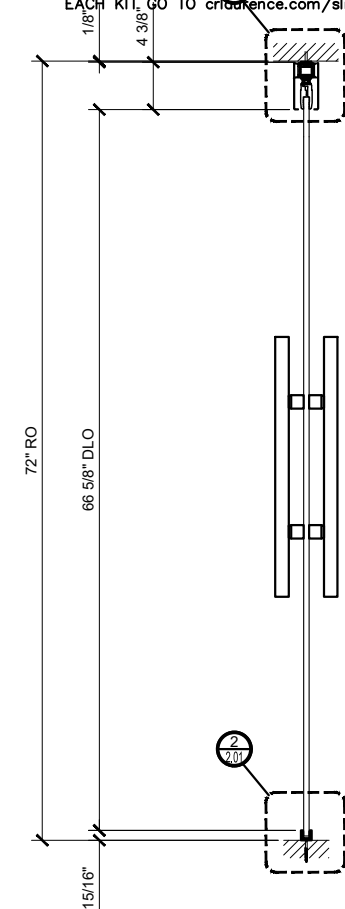
③ CRL70CS2 - PLAN  
1 1/2"=1'-0"

\* CRL70CS2 SERIES CEILING MOUNT SLIDING DOOR KITS ARE AVAILABLE FOR 5/16" TO 1/2" (8 TO 12 MM) TEMPERED GLASS

\* CAN ACCOMMODATE DOORS WEIGHING UP TO 275 POUNDS (125 KG), MAXIMUM GLASS DOOR WIDTH OF 29-1/2" (750 MM)

\* SATIN ANODIZED FINISH WITH AN OPTION FOR POWDER PAINT OR CLADDING IN ANY ARCHITECTURAL FINISH DESIRED

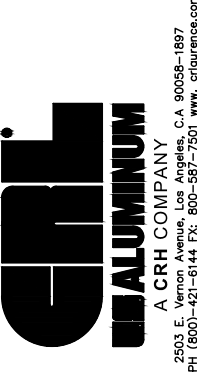
NOTE: CRL70CS2 KITS ARE DESIGNED FOR USE WHERE THE TOP TRACK MOUNTS TO A STRUCTURAL CEILING. KITS COME WITH ALL THE HARDWARE NEEDED TO COMPLETE THE INSTALLATION, EXCEPT THE GLASS AND DOOR PULL. FOR A DETAILED LISTING OF THE COMPONENTS OF EACH KIT, GO TO [crlaluminum.com/sliding-glass-doors](http://crlaluminum.com/sliding-glass-doors)



② CRL70CS2 - SECTION  
1 1/2"=1'-0"

STANDARD ABBREVIATIONS	
RO	ROUGH OPENING
FD	FRAME DIMENSION
DLO	DAYLIGHT OPENING
DO	DOOR OPENING
DD	DOOR DIMENSION
GD	GLASS DIMENSION
DP	DIMENSION POINT

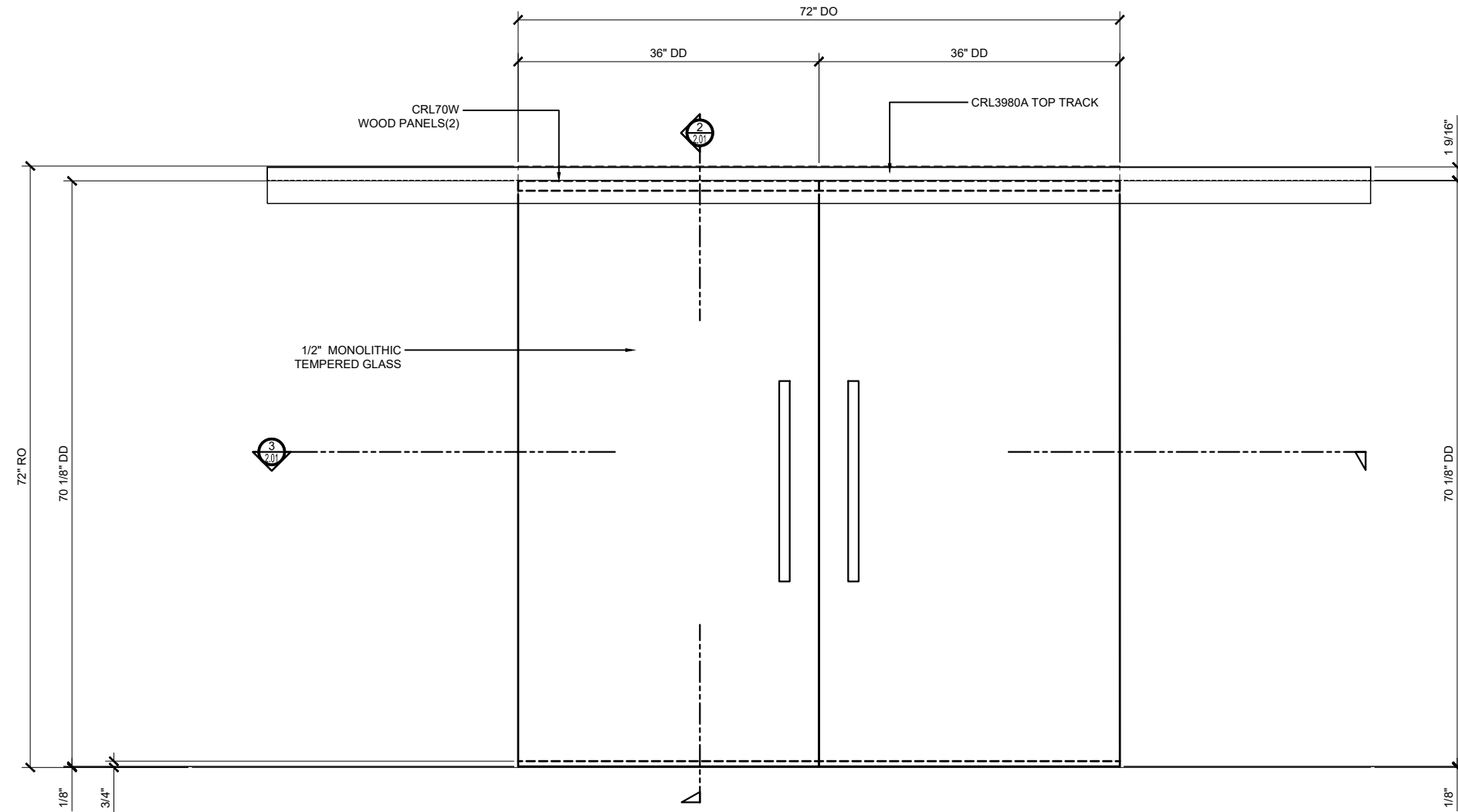
Revisions By:



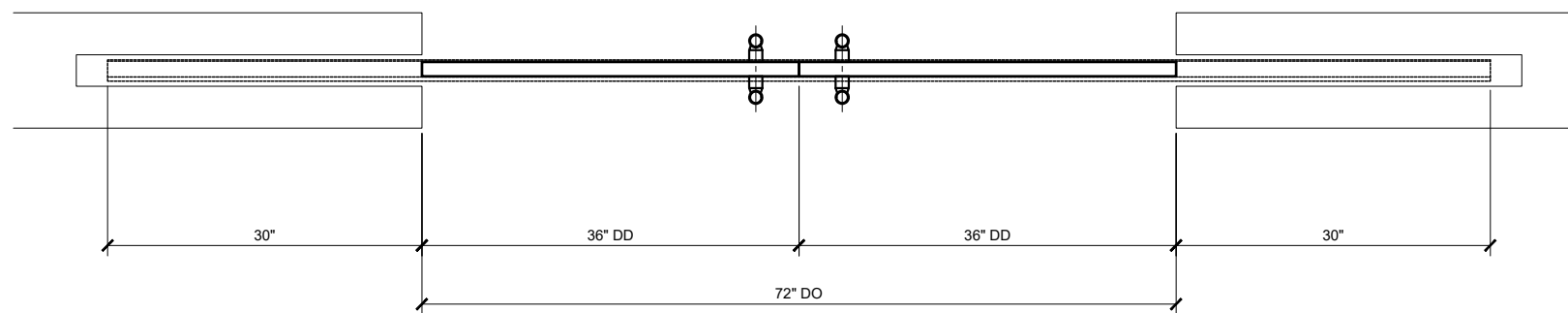
Description:  
CRL70 SERIES  
TOP HUNG SINGLE TRACK  
CEILING MOUNT SLIDING DOOR  
FOR 5/16" AND 1/2" GLASS

Drawn By: TGM  
Date: 04/20/19  
Scale: AS NOTED  
File Name: CRL70\_Top\_Hung\_Slid\_Doors.dwg  
Sheet

# CRL70 SERIES TOP HUNG SLIDING WOOD DOOR SYSTEM CRL70W CEILING MOUNT



① CRL70W - ELEVATION  
1 1/2"=1'-0"



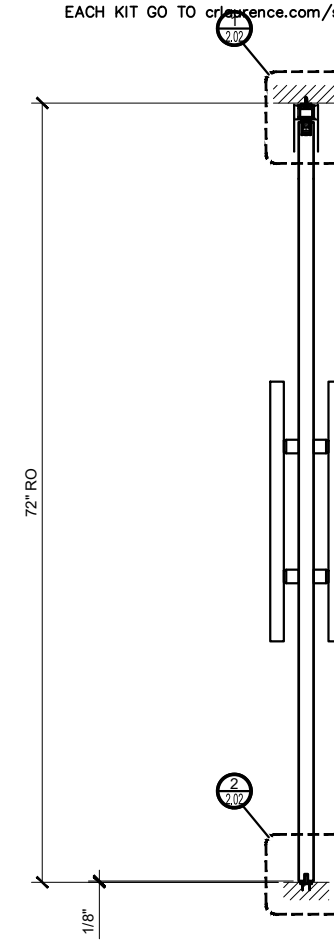
③ CRL70W - PLAN  
1 1/2"=1'-0"

\* CRL70W SERIES CEILING MOUNT SLIDING WOOD DOOR KITS ARE AVAILABLE FOR 5/16" TO 1/2" (8 TO 12 MM) TEMPERED GLASS

\* CAN ACCOMMODATE DOORS WEIGHING UP TO 275 POUNDS (125 KG), MAXIMUM GLASS DOOR WIDTH OF 59" (1.50 M)

\* TO HANGER IS MORTISED INTO WOOD DOOR

NOTE: CRL70W KITS ARE DESIGNED FOR USE WHERE THE TOP TRACK MOUNTS TO A STRUCTURAL CEILING. KITS COME WITH ALL THE HARDWARE NEEDED TO COMPLETE THE INSTALLATION, EXCEPT THE GLASS AND DOOR PULL. FOR A DETAILED LISTING OF THE COMPONENTS OF EACH KIT GO TO [crl.com/resources.com/sliding-glass-doors](http://crl.com/resources.com/sliding-glass-doors)



② CRL70W - SECTION  
1 1/2"=1'-0"

STANDARD ABBREVIATIONS	
RO	ROUGH OPENING
FD	FRAME DIMENSION
DLO	DAYLIGHT OPENING
DO	DOOR OPENING
DD	DOOR DIMENSION
GD	GLASS DIMENSION
DP	DIMENSION POINT

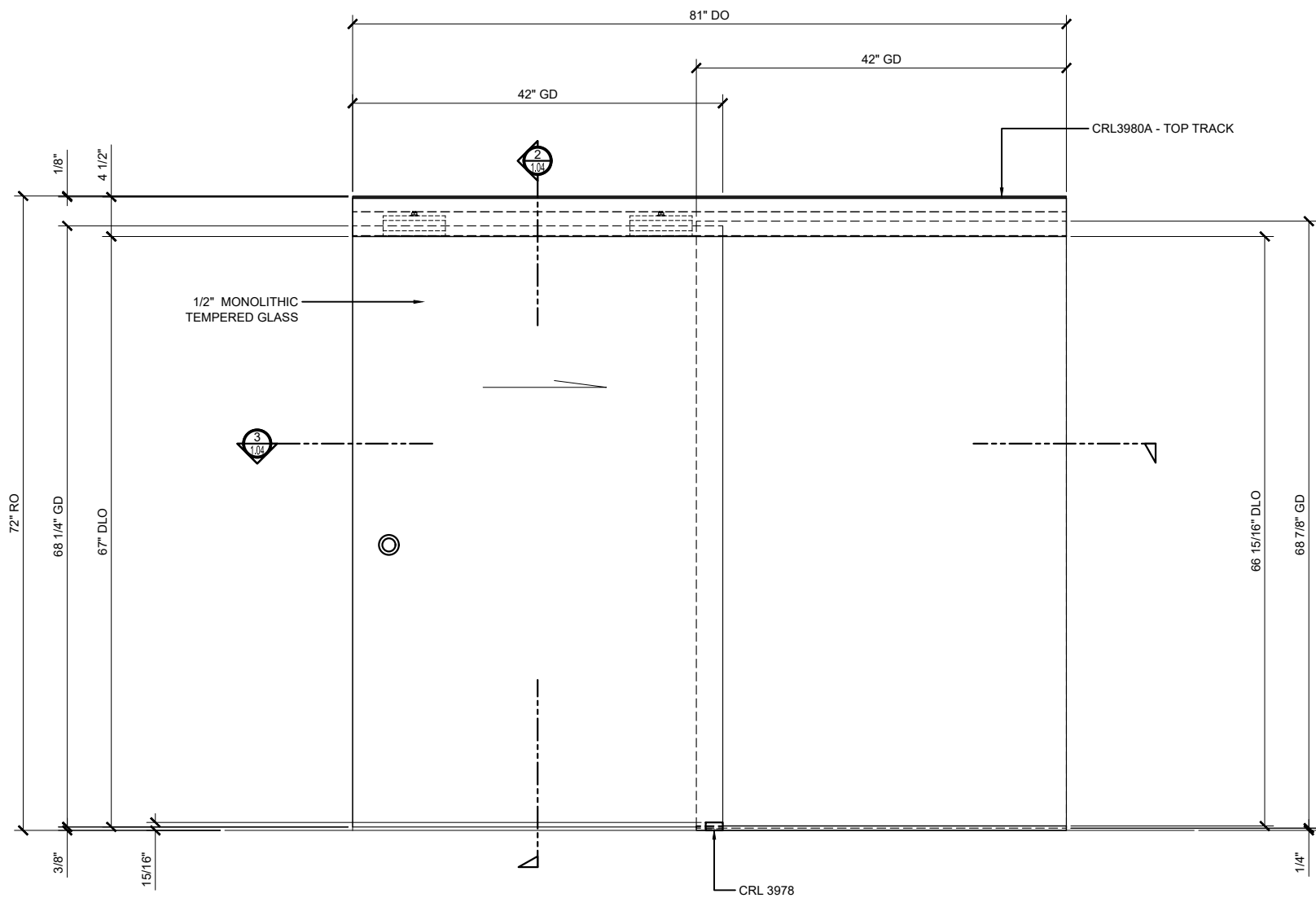
Revisions By:

**CRH ALUMINUM**  
A CRH COMPANY  
2503 E. Vernon Avenue, Los Angeles, CA 90058-1897  
PH: (800)-421-6144 FAX: 800-587-7501 www.crl.com

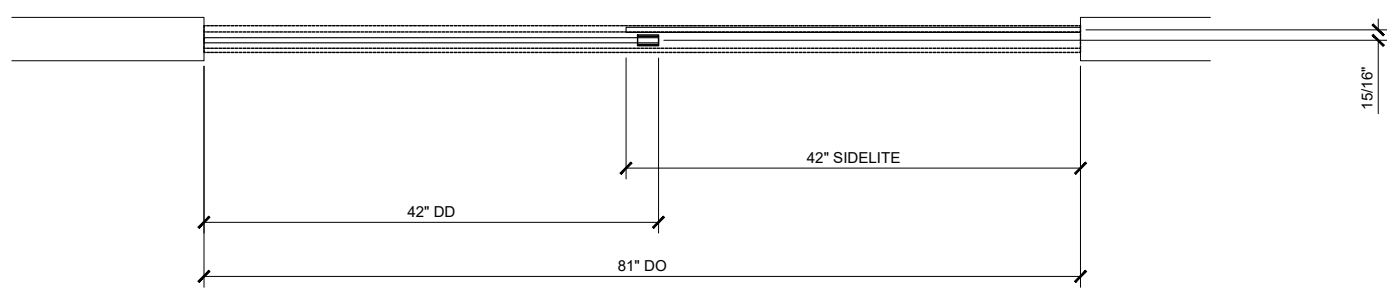
Description:  
CRL70 SERIES  
TOP HUNG SINGLE TRACK  
CEILING MOUNT SLIDING DOOR  
FOR 5/16" AND 1/2" GLASS

Drawn By: TGM  
Date: 04/20/19  
Scale: AS NOTED  
File Name:  
CRL70\_Top\_Hung\_Slid\_Doors.dwg  
Sheet

# CRL70 SERIES TOP HUNG SLIDING DOOR SYSTEM CRL701C CEILING MOUNT



① CRL701C - ELEVATION  
1 1/2"=1'-0"



③ CRL701C - PLAN  
1 1/2"=1'-0"

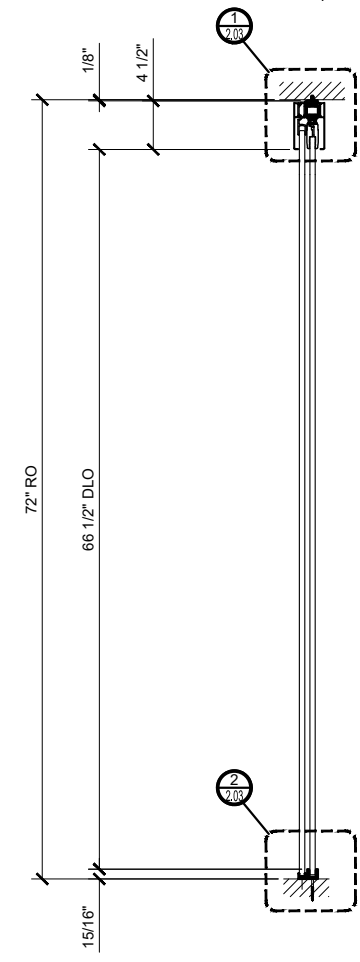
\* CRL701C SERIES CEILING MOUNT SLIDING DOOR KITS ARE AVAILABLE FOR 5/16" TO 1/2" (8 TO 12 MM) TEMPERED GLASS

\* CAN ACCOMMODATE DOORS WEIGHING UP TO 275 POUNDS (125 KG), MAXIMUM GLASS DOOR WIDTH OF 59" (1.50 M)

\* SATIN ANODIZED FINISH WITH AN OPTION FOR POWDER PAINT OR CLADDING IN ANY ARCHITECTURAL FINISH DESIRED

NOTE: CRL701C KITS ARE DESIGNED FOR USE WHERE THE TOP TRACK MOUNTS TO A STRUCTURAL CEILING. KITS COME WITH ALL THE HARDWARE NEEDED TO COMPLETE THE INSTALLATION, EXCEPT THE GLASS AND DOOR PULL.

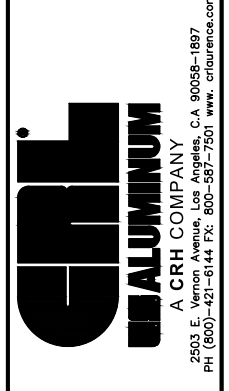
FOR A DETAILED LISTING OF THE COMPONENTS OF EACH KIT GO TO [crlaurence.com/sliding-glass-doors](http://crlaurence.com/sliding-glass-doors)



② CRL701C - SECTION  
1 1/2"=1'-0"

STANDARD ABBREVIATIONS	
RO	ROUGH OPENING
FD	FRAME DIMENSION
DLO	DAYLIGHT OPENING
DO	DOOR OPENING
DD	DOOR DIMENSION
GD	GLASS DIMENSION
DP	DIMENSION POINT

Revisions By:



Description:  
CRL70 SERIES  
TOP HUNG SINGLE TRACK  
CEILING MOUNT SLIDING DOOR  
FOR 5/16" AND 1/2" GLASS

Drawn By: TGM  
Date: 04/20/19  
Scale: AS NOTED  
File Name: CRL70\_Top\_Hung\_Slid\_Doors.dwg  
Sheet

# CRL70 SERIES TOP HUNG SLIDING DOOR SYSTEM CRL702C CEILING MOUNT

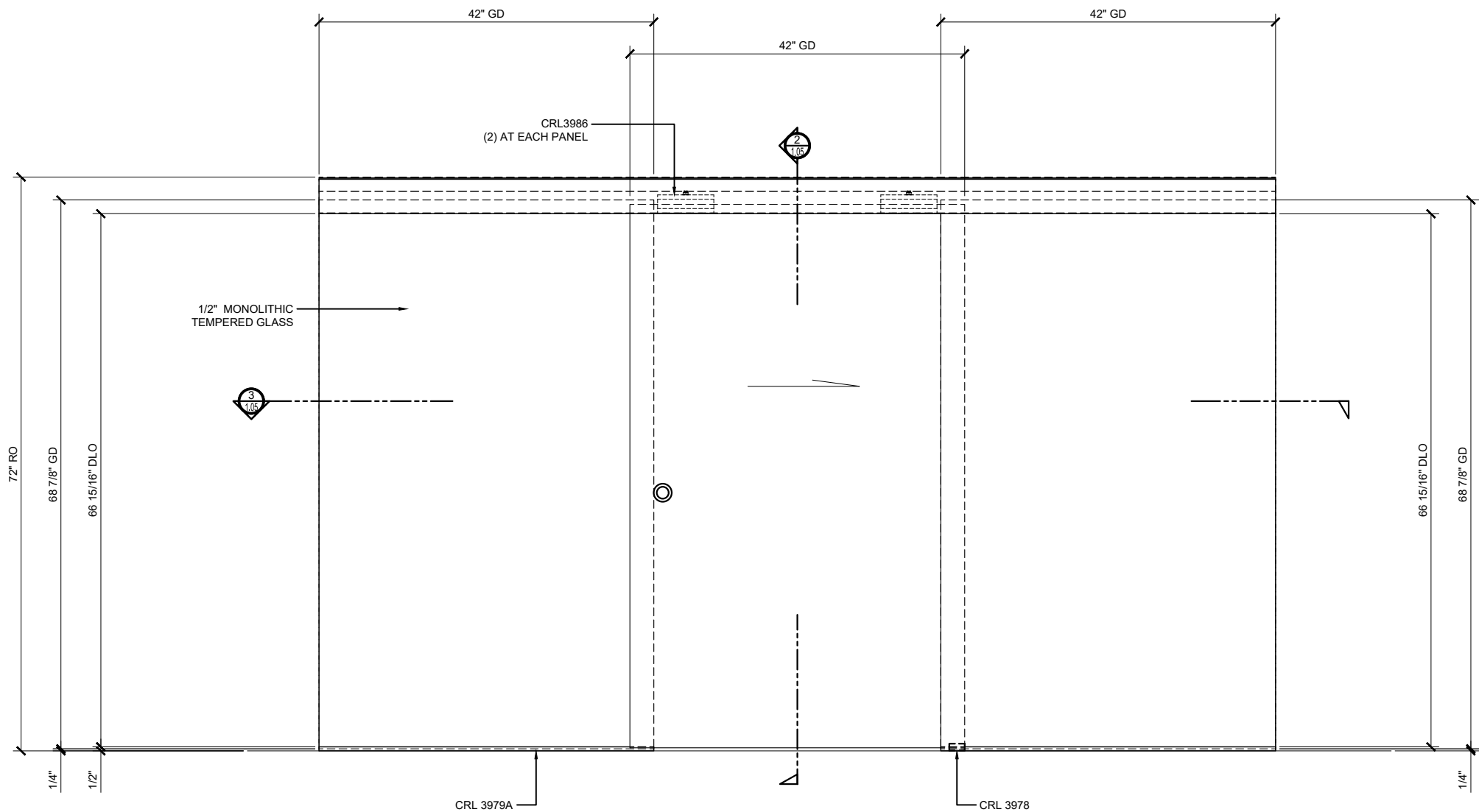
\* CRL702C SERIES CEILING MOUNT SLIDING DOOR KITS ARE AVAILABLE FOR 5/16" TO 1/2" (8 TO 12 MM) TEMPERED GLASS

\* CAN ACCOMMODATE DOORS WEIGHING UP TO 275 POUNDS (125 KG), MAXIMUM GLASS DOOR WIDTH OF 59" (1.50 M)

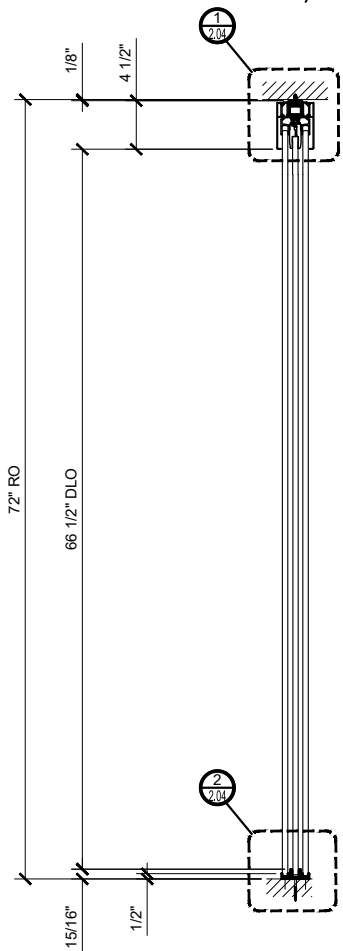
\* SATIN ANODIZED FINISH WITH AN OPTION FOR POWDER PAINT OR CLADDING IN ANY ARCHITECTURAL FINISH DESIRED

NOTE: CRL702C KITS ARE DESIGNED FOR USE WHERE THE TOP TRACK MOUNTS TO A STRUCTURAL CEILING. KITS COME WITH ALL THE HARDWARE NEEDED TO COMPLETE THE INSTALLATION, EXCEPT THE GLASS AND DOOR PULL.

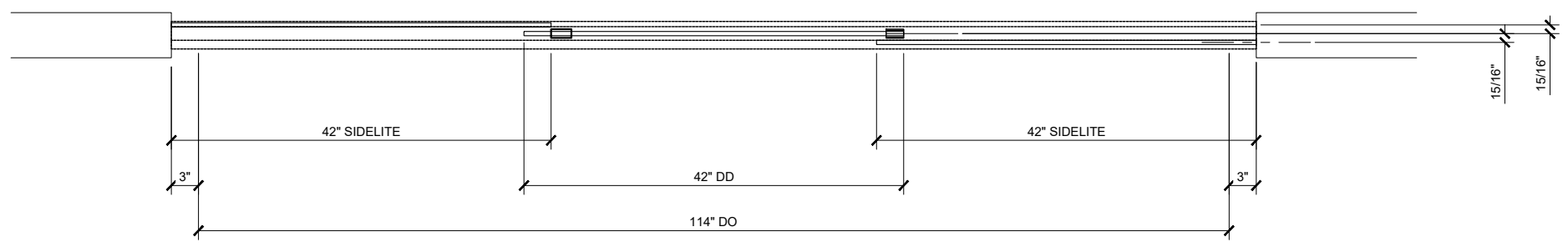
FOR A DETAILED LISTING OF THE COMPONENTS OF EACH KIT GO TO [crlaurence.com/sliding-glass-doors](http://crlaurence.com/sliding-glass-doors)



① CRL702C - ELEVATION  
1 1/2"=1'-0"



② CRL702C - SECTION  
1 1/2"=1'-0"



③ CRL702C - PLAN  
1 1/2"=1'-0"

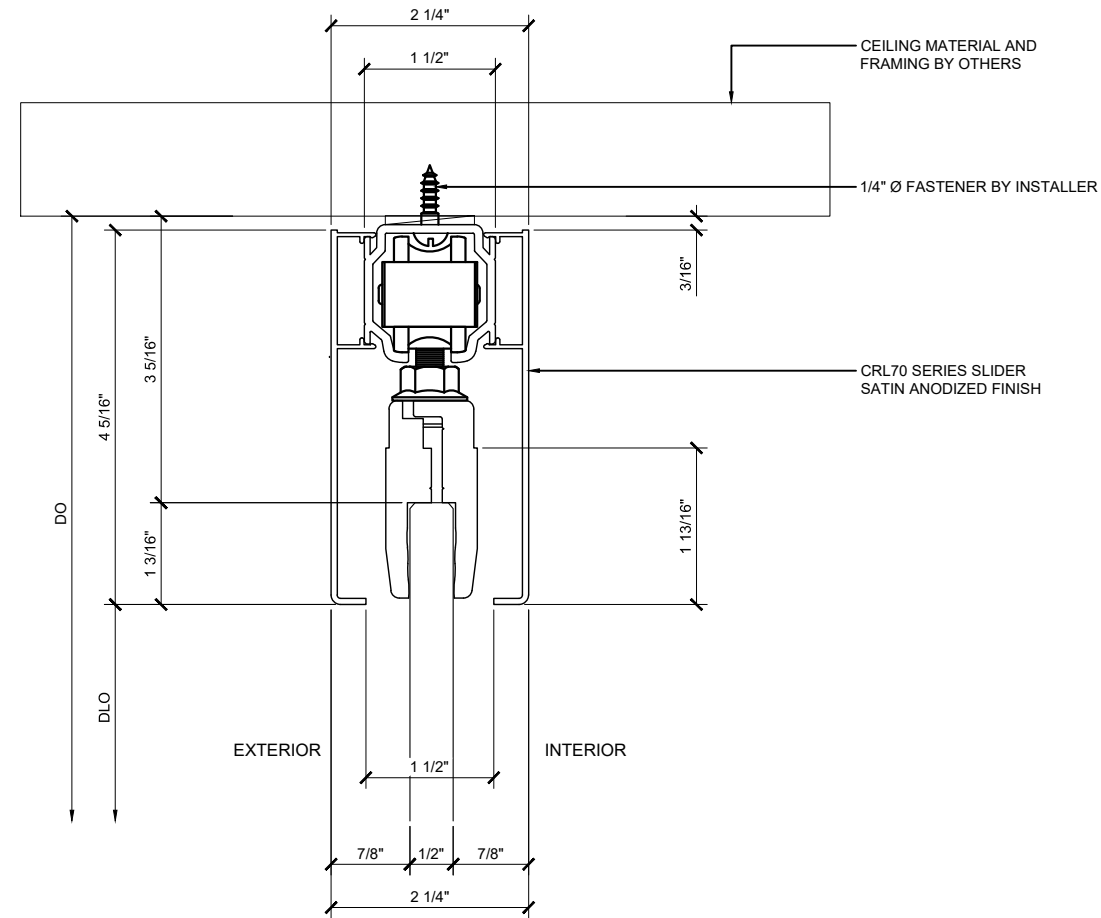
STANDARD ABBREVIATIONS	
RO	ROUGH OPENING
FD	FRAME DIMENSION
DLO	DAYLIGHT OPENING
DO	DOOR OPENING
DD	DOOR DIMENSION
GD	GLASS DIMENSION
DP	DIMENSION POINT

Revisions By:

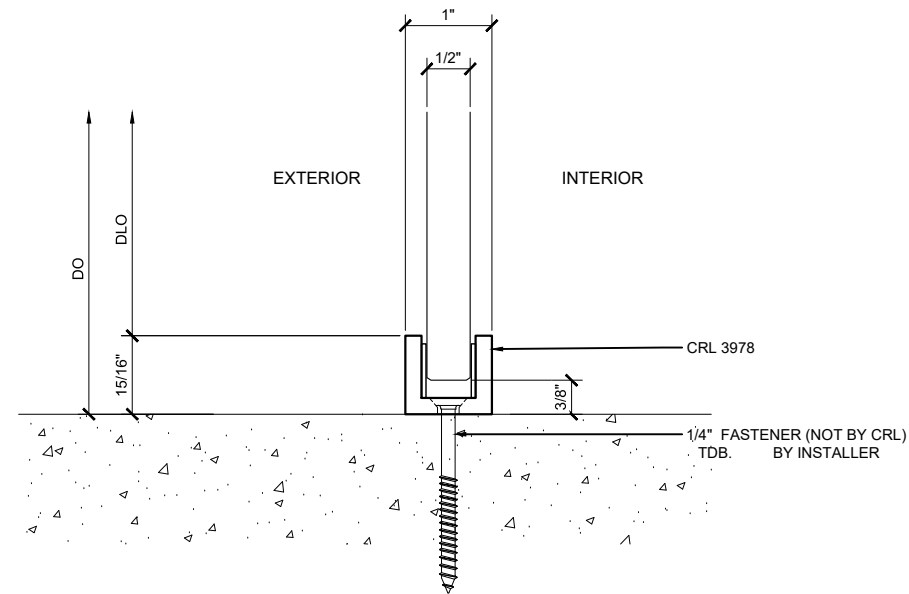
**CRH ALUMINUM**  
A CRH COMPANY  
2503 E. Vernon Avenue, Los Angeles, CA 90058-1897  
PH: (800)-421-6144 FAX: 800-587-7501 [www.crlaurence.com](http://www.crlaurence.com)

Description:  
CRL70 SERIES  
TOP HUNG SINGLE TRACK  
CEILING MOUNT SLIDING DOOR  
FOR 5/16" AND 1/2" GLASS

Drawn By: TGM  
Date: 04/20/19  
Scale: AS NOTED  
File Name: CRL70\_Top\_Hung\_Slid\_Doors.dwg  
Sheet



**① SLIDING DOOR CRL70 & CRL70S2 HEADER DETAIL**  
 ARCH REF: NONE 1'-0"=1'-0"



**② CRL70, CRL70S2 & CRL70CS2 - SECTION DETAIL AT SILL**  
 ARCH REF: NONE 1'-0"=1'-0"

**CRL70 SERIES CEILING MOUNT SLIDING DOOR CRL70, CRL70S2 & CRL70CS2 DETAILS**

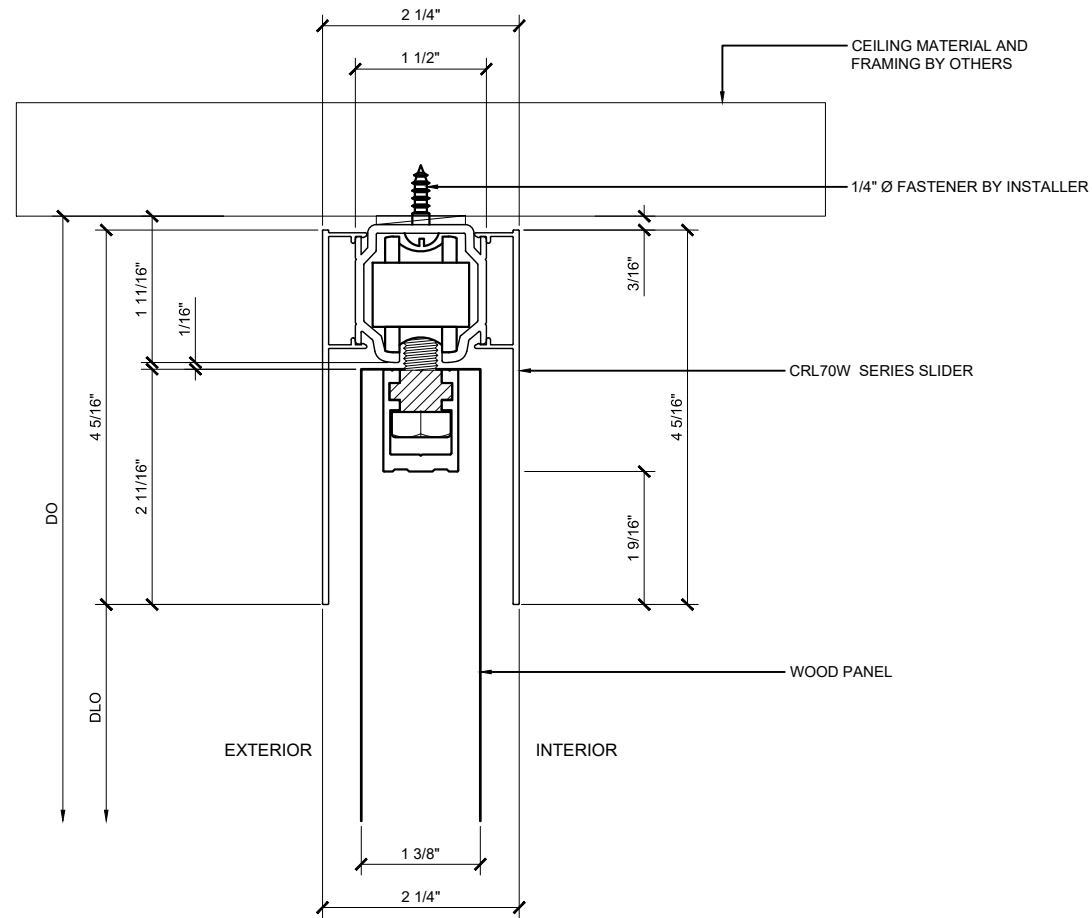
Revisions By:



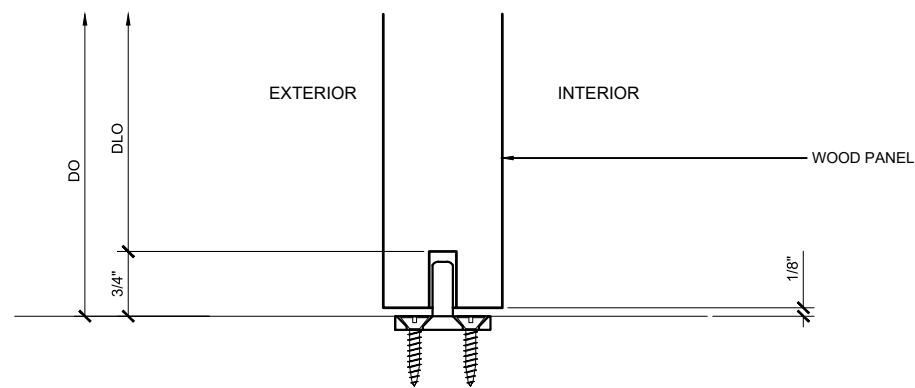
A CRH COMPANY  
 2503 E. Vernon Avenue, Los Angeles, CA 90058-1897  
 PH: (800)-421-6144 FAX: 800-587-7501 www.crlaluminum.com

Description:  
 CRL70 SERIES  
 TOP HUNG SINGLE TRACK  
 CEILING MOUNT SLIDING DOOR  
 FOR 5/16" AND 1/2" GLASS

Drawn By: TGM  
 Date: 04/20/19  
 Scale: AS NOTED  
 File Name:  
 CRL70\_Top\_Hung\_Slid\_Doors.dwg  
 Sheet



① CRL70W - SECTION DETAIL AT HEAD  
 ARCH REF: NONE 1'-0"=1'-0"



② CRL70W - SECTION DETAIL AT SILL  
 ARCH REF: NONE 1'-0"=1'-0"

**CRL70 SERIES CEILING MOUNT SLIDING DOOR CRL70W DETAILS**

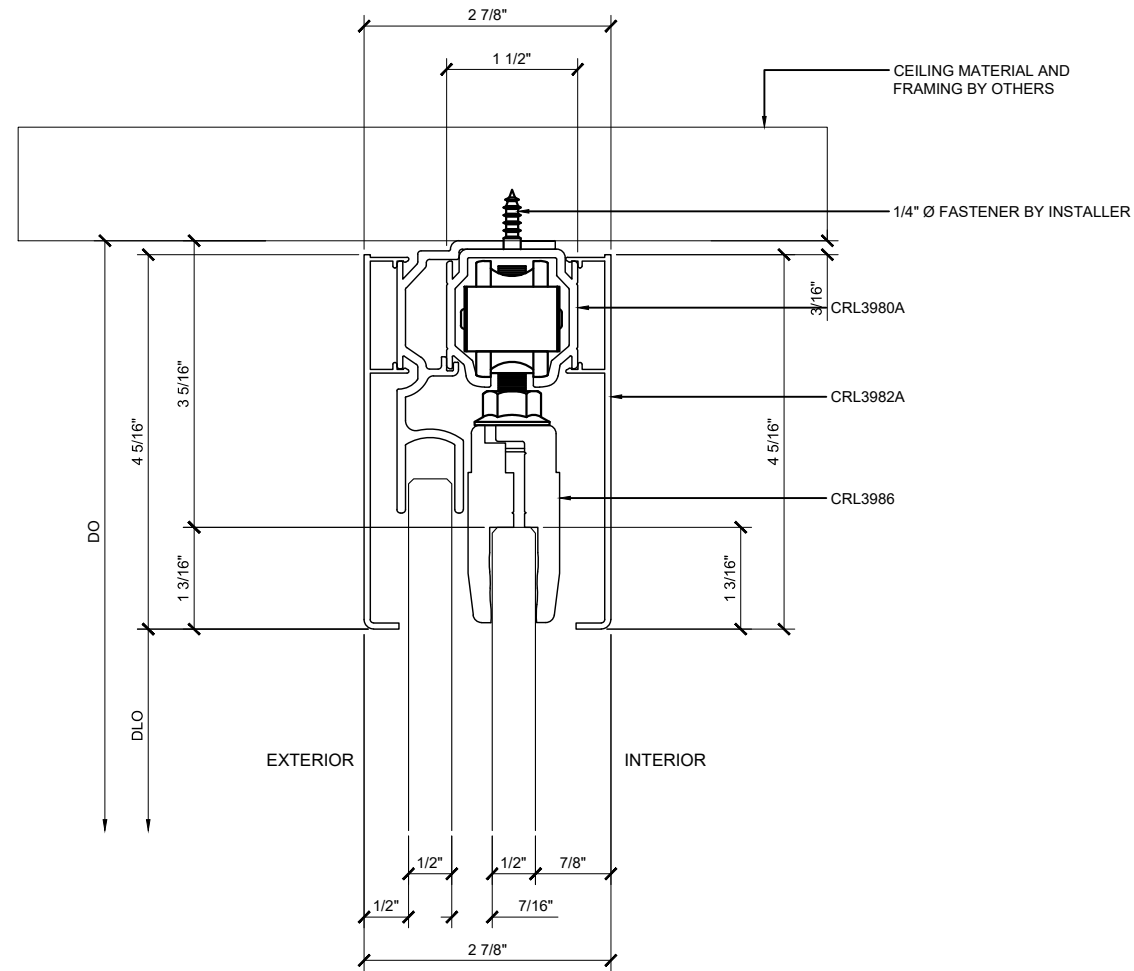
Revisions By:



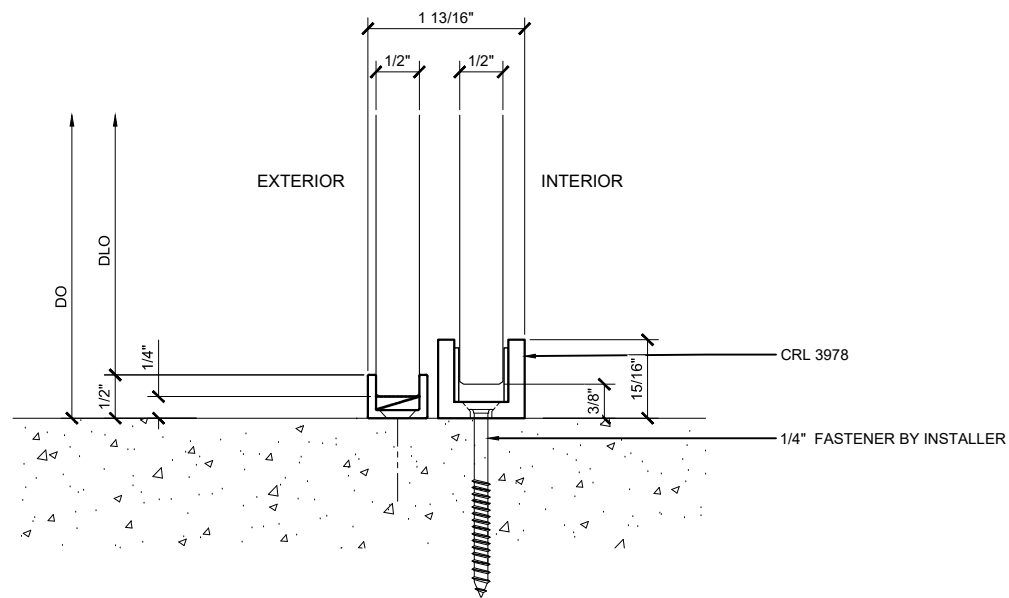
A CRH COMPANY  
 2503 E. Vernon Avenue, Los Angeles, CA 90058-1897  
 PH (800)-421-6144 FX (800)-587-7501 www.crlaluminum.com

Description:  
 CRL70 SERIES  
 TOP HUNG SINGLE TRACK  
 CEILING MOUNT SLIDING DOOR  
 FOR 5/16" AND 1/2" GLASS

Drawn By: TGM  
 Date: 04/20/19  
 Scale: AS NOTED  
 File Name:  
 CRL70\_Top\_Hung\_Slid\_Doors.dwg  
 Sheet



**① SLIDING DOOR CRL701 HEADER DETAIL**  
 ARCH REF: NONE 1'-0"=1'-0"



**② SLIDING DOOR CRL701 & CRL701C SECTION DETAIL AT SILL**  
 ARCH REF: NONE 1'-0"=1'-0"

**CRL70 SERIES CEILING MOUNT SLIDING DOOR CRL701 AND CRL702 DETAILS**

Revisions By:

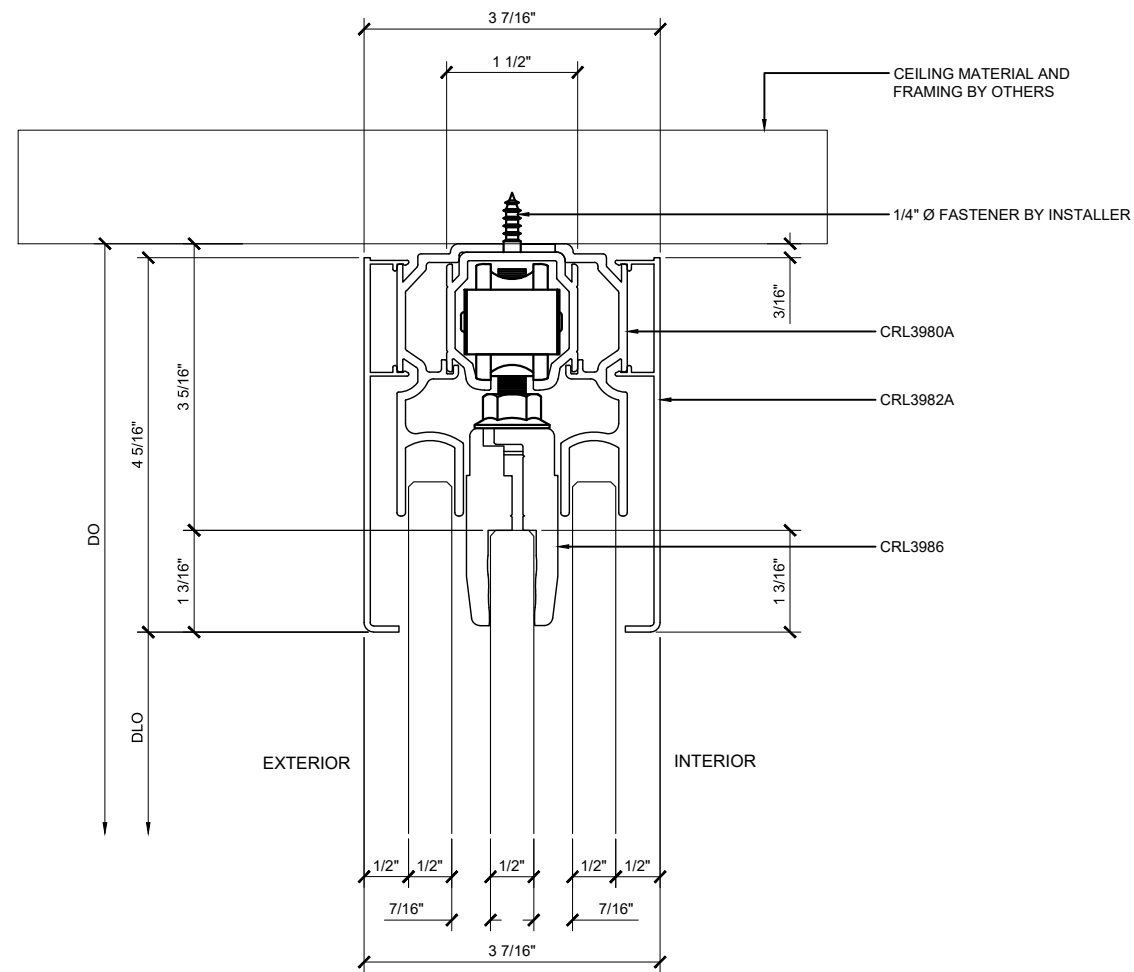


A CRH COMPANY  
 2503 E. Vernon Avenue, Los Angeles, CA 90058-1897  
 PH (800)-421-6144 FAX (800)-587-7501 www.crlaluminum.com

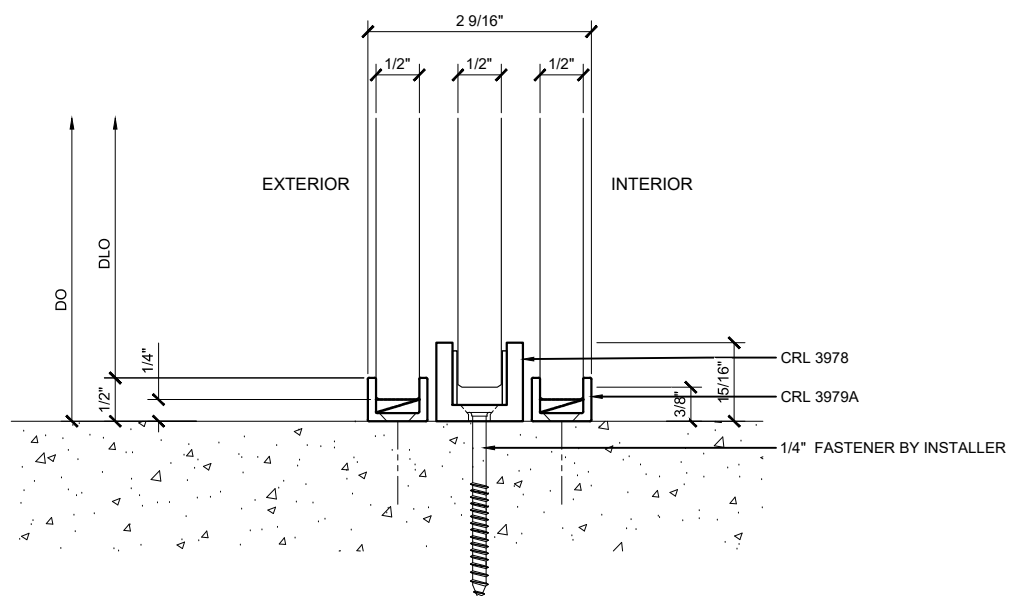
Description:  
 CRL70 SERIES  
 TOP HUNG SINGLE TRACK  
 CEILING MOUNT SLIDING DOOR  
 FOR 5/16" AND 1/2" GLASS

Drawn By: TGM  
 Date: 04/20/19  
 Scale: AS NOTED  
 File Name:  
 CRL70\_Top\_Hung\_Slid\_Doors.dwg  
 Sheet





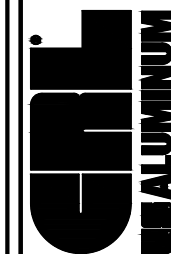
**① SLIDING DOOR CRL702 HEADER DETAIL**  
 ARCH REF: NONE 1'-0"=1'-0"



**② SLIDING DOOR CRL702 & CRL702C SECTION DETAIL AT SILL**  
 ARCH REF: NONE 1'-0"=1'-0"

**CRL70 SERIES CEILING MOUNT SLIDING DOOR CRL701C AND CRL702C DETAILS**

Revisions By:



A CRH COMPANY  
 2503 E. Vernon Avenue, Los Angeles, CA 90058-1897  
 PH (800)-421-6144 FAX 800-587-7501 www.crlaluminum.com

Description:  
 CRL70 SERIES  
 TOP HUNG SINGLE TRACK  
 CEILING MOUNT SLIDING DOOR  
 FOR 5/16" AND 1/2" GLASS

Drawn By: TGM  
 Date: 04/20/19  
 Scale: AS NOTED  
 File Name:  
 CRL70\_Top\_Hung\_Slid\_Doors.dwg  
 Sheet