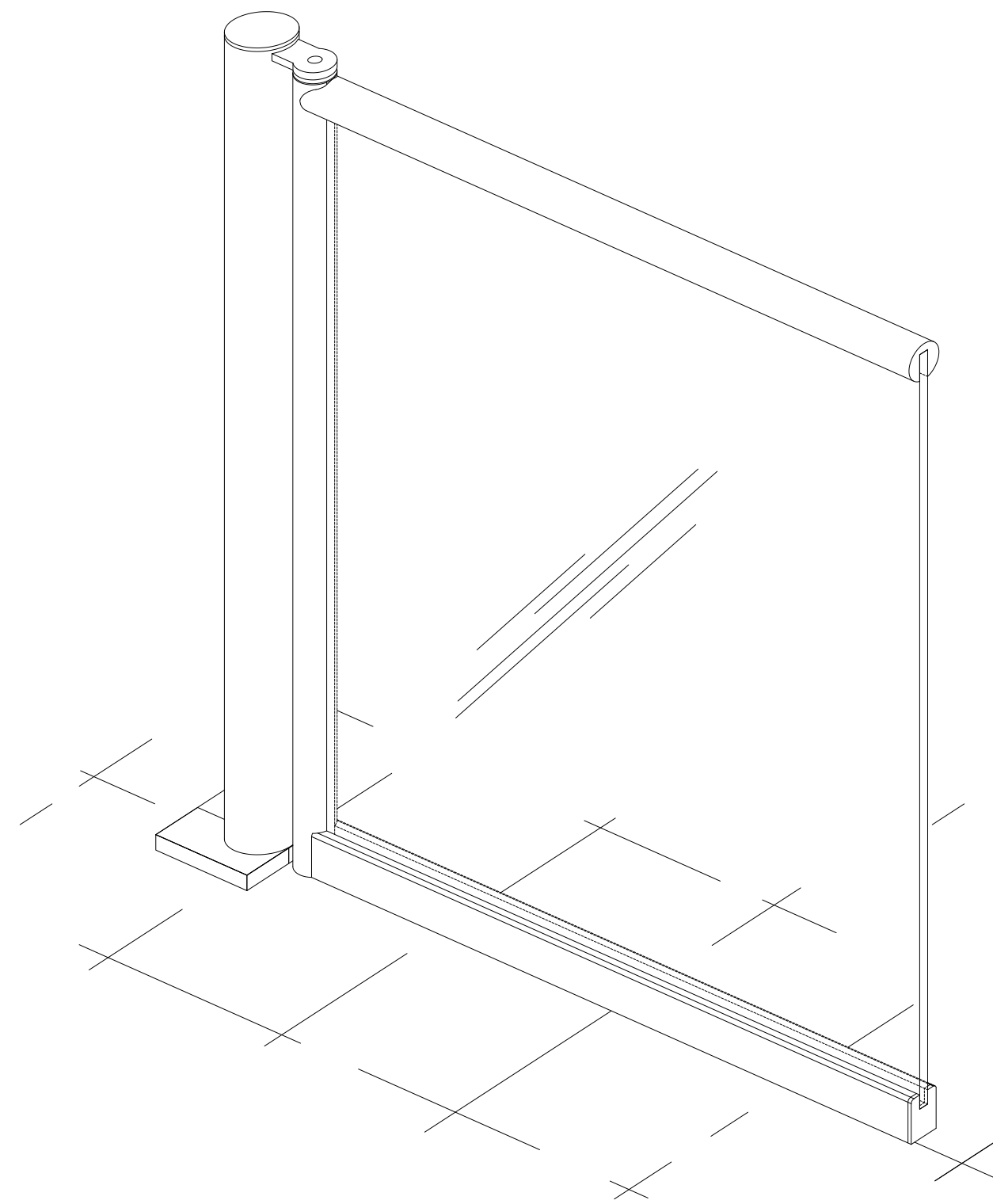




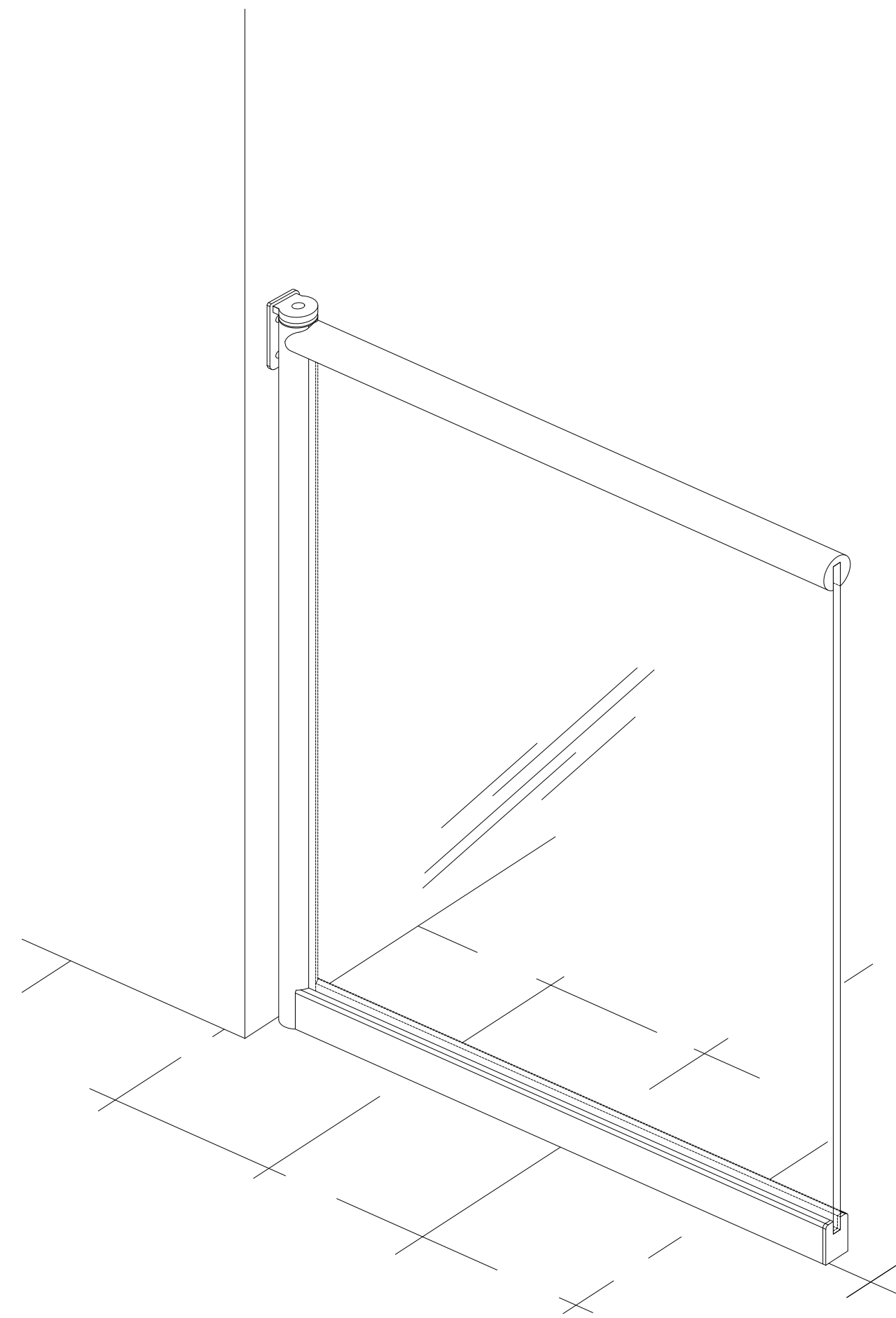
CRL GRS 1202 SERIES SWINGING GLASS GATE SYSTEM

AVAILABLE IN 3 STANDARD STYLES



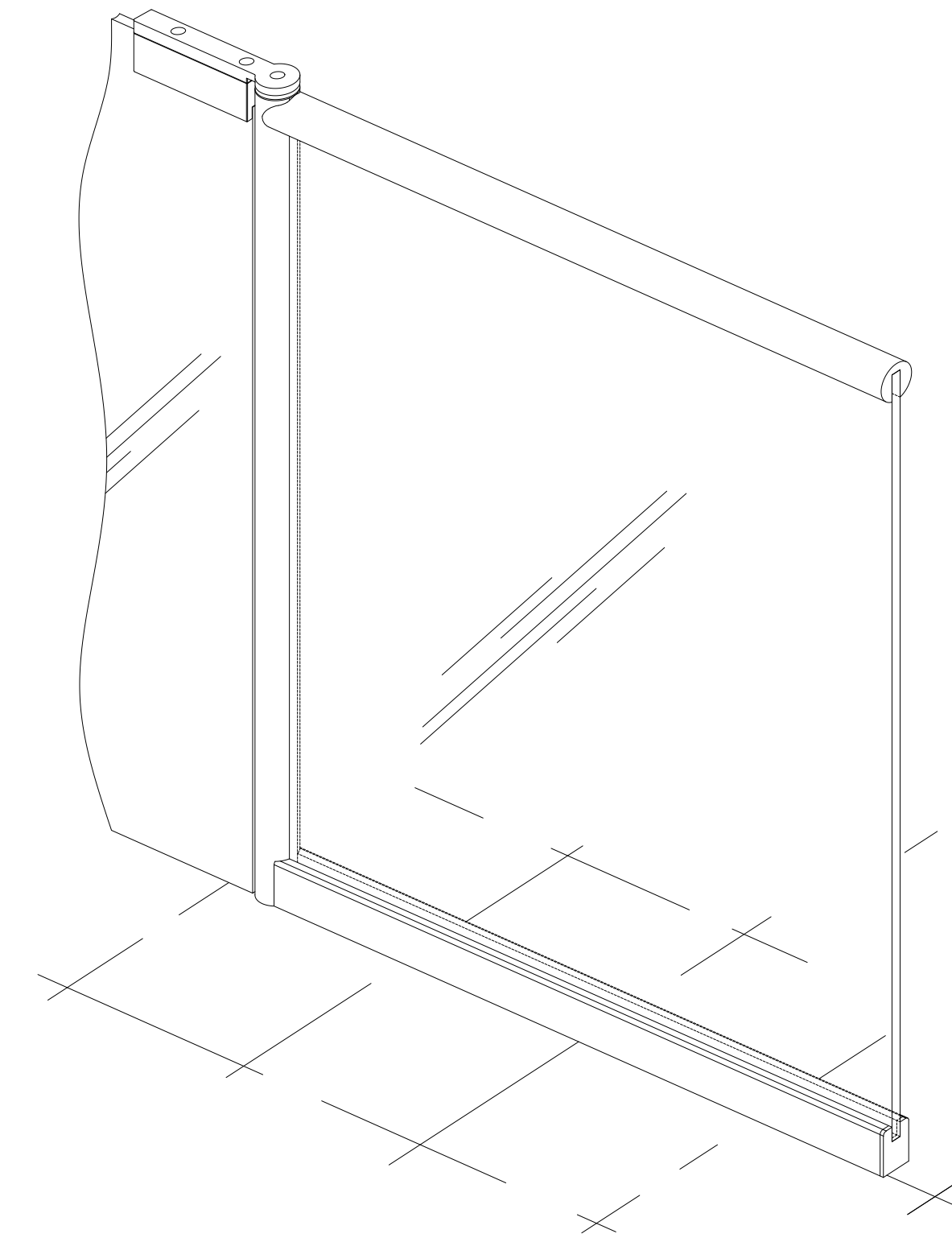
CRL GRS 1202 "TYPE P1" GATE

POST MOUNT STYLE



CRL GRS 1202 "TYPE W1" GATE

WALL MOUNT STYLE



CRL GRS 1202 "TYPE G1" GATE

GLASS MOUNT STYLE

FOUR STANDARD CONFIGURATIONS TO CHOOSE FROM WITHIN EACH STYLE, PLUS CUSTOM SIZES AND CONFIGURATIONS ARE ALSO AVAILABLE UPON REQUEST

Revisions By:



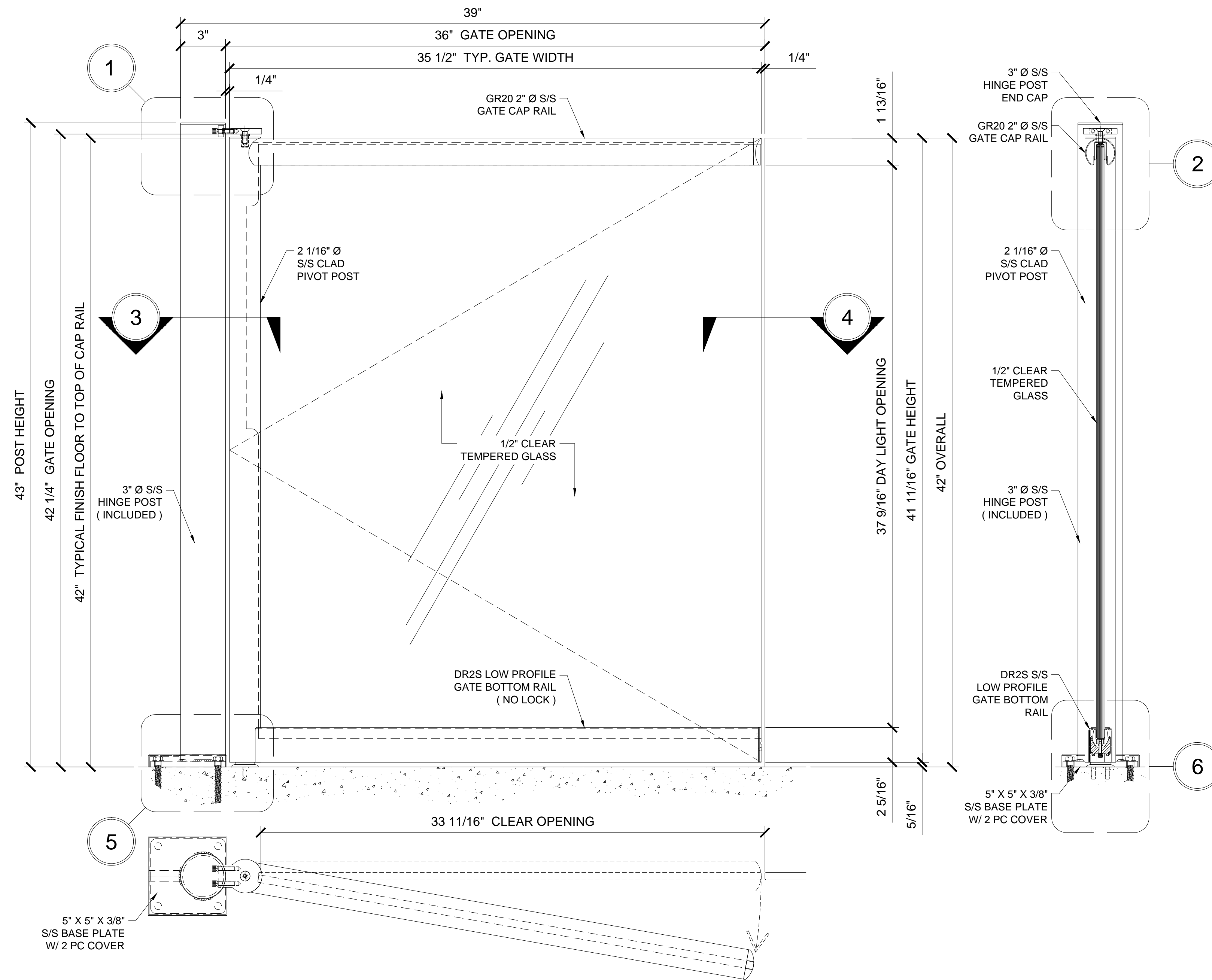
Description:
CRL GRS 1202 SERIES
SWINGING GLASS
GATE SYSTEMS

Drawn By: VM
Date: 12/02/2013
Scale: NOT TO SCALE
File Name: CRL GRS 1202 GS.dwg

Sheet
1202 GRS

CRL GRS 1202 SERIES SWINGING GLASS GATE SYSTEM

"P1" POST MOUNTED GATE KIT



CRL GRS 1202 SERIES "TYPE P1" POST MOUNT SWINGING GLASS GATE KIT

1/2" (12MM) TEMPERED GLASS (INCLUDED WITH KIT)

CRL 1202 "TYPE P1" STANDARD GATE KITS:

CAT. NO	FINISH	SIZE	FITS OPENING	CLEAR OPENING*
1202P142BS	BRUSHED S/S	36" X 42"	41-1/4" WIDTH	33-11/16" WIDTH
1202P142PS	POLISHED S/S	36" X 42"	41-1/4" WIDTH	33-11/16" WIDTH

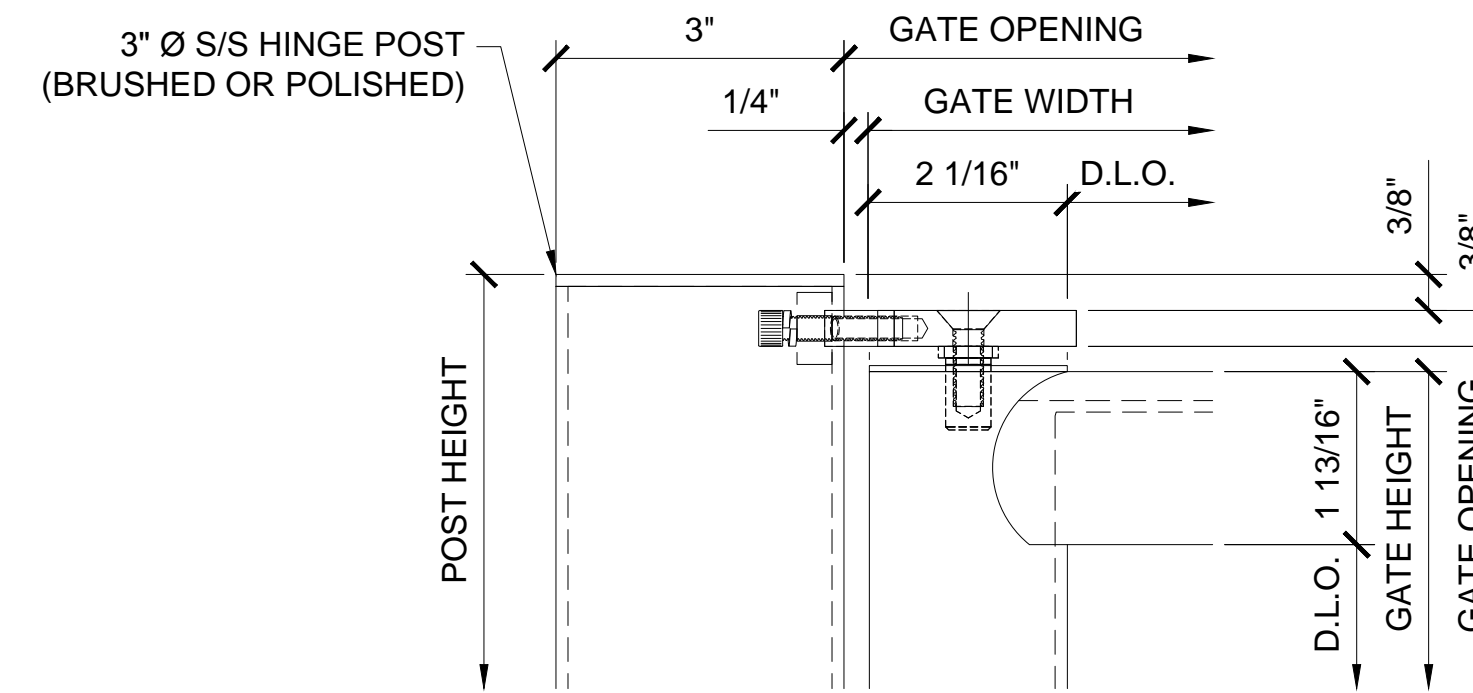
CRL 1202 "TYPE P1" CUSTOM GATE KITS:

CAT. NO	FINISH	SIZE	FITS OPENING	CLEAR OPENING*
1202P1BSC	BRUSHED S/S	PER CUSTOMER SPECIFICATIONS		
1202P1PSC	POLISHED S/S	PER CUSTOMER SPECIFICATIONS		

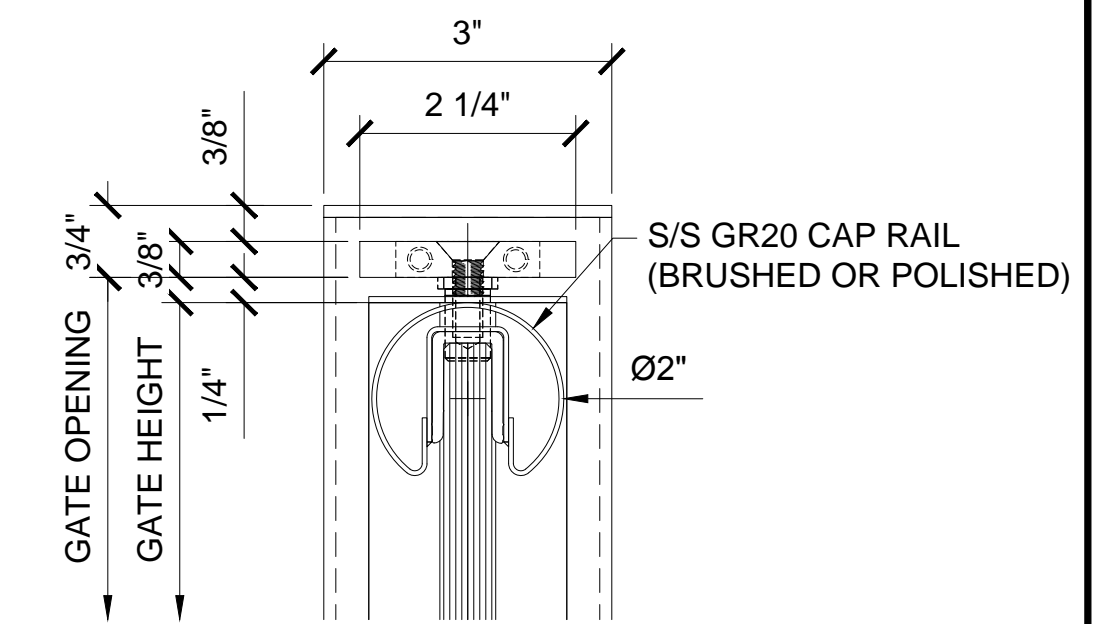
MAXIMUM RECOMMENDED GATE SIZE IS 40" X 72", MAY REQUIRE CORE MOUNTED HINGE POST

"TYPE P1" STANDARD GATE KIT INCLUDES:

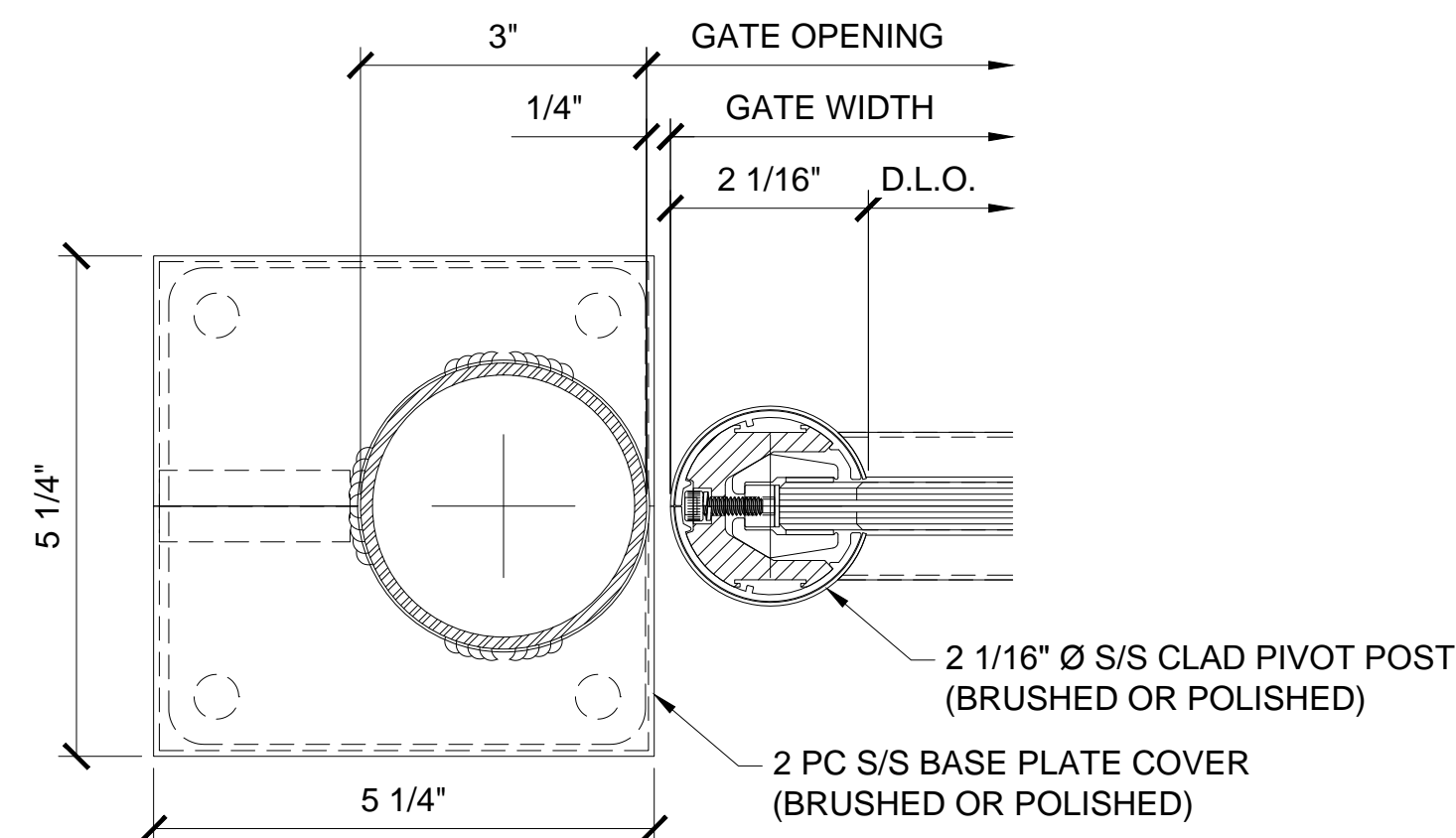
- (1) 3" Ø S/S CAPPED VERTICAL HINGE POST WITH BASE PLATE AND 2PC COVER
- (1) S/S POST MOUNT GATE PIVOT BAR
- (1) 2 1/16" Ø CLAD PIVOT POST W/ IN RAIL CLOSER AND FLOOR MOUNT RECEIVER
- (1) GR20 SERIES 2" Ø S/S CAP RAIL
- (1) S/S CLAD DR2S LOW PROFILE BOTTOM GATE RAIL (NO LOCK)
- (1) 1/2" (12MM) CLEAR TEMPERED GLASS



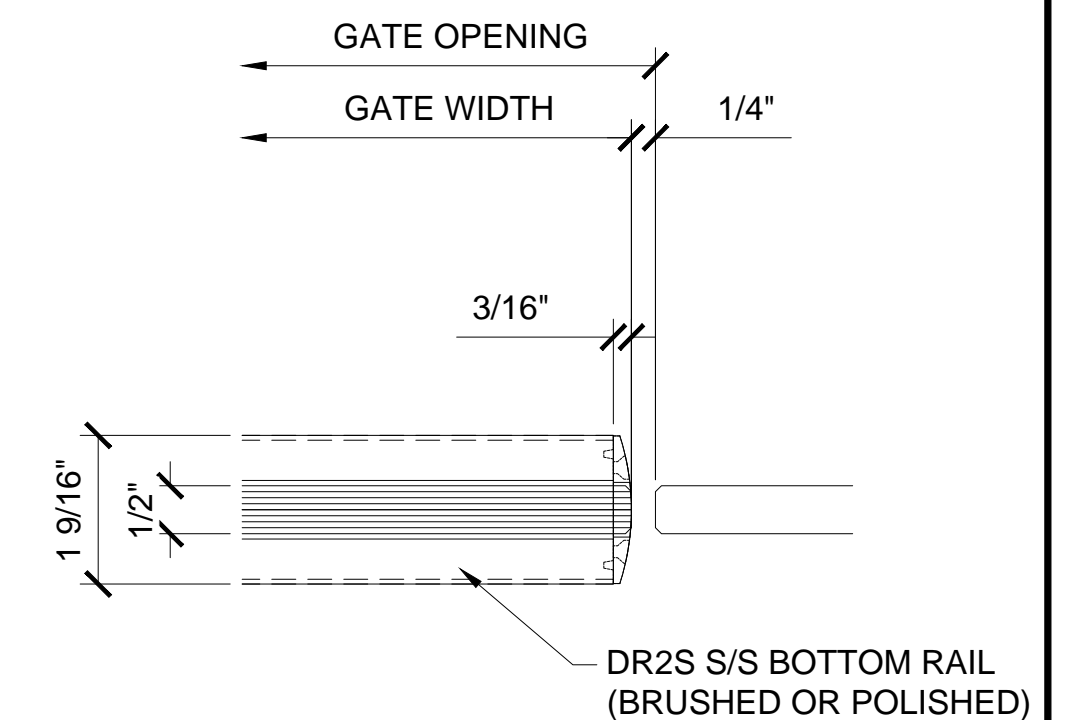
1 POST MOUNT & PIVOT POST ELEVATION DETAIL
INCLUDED 3" Ø S/S HINGE POST BRUSHED OR POLISHED FINISH



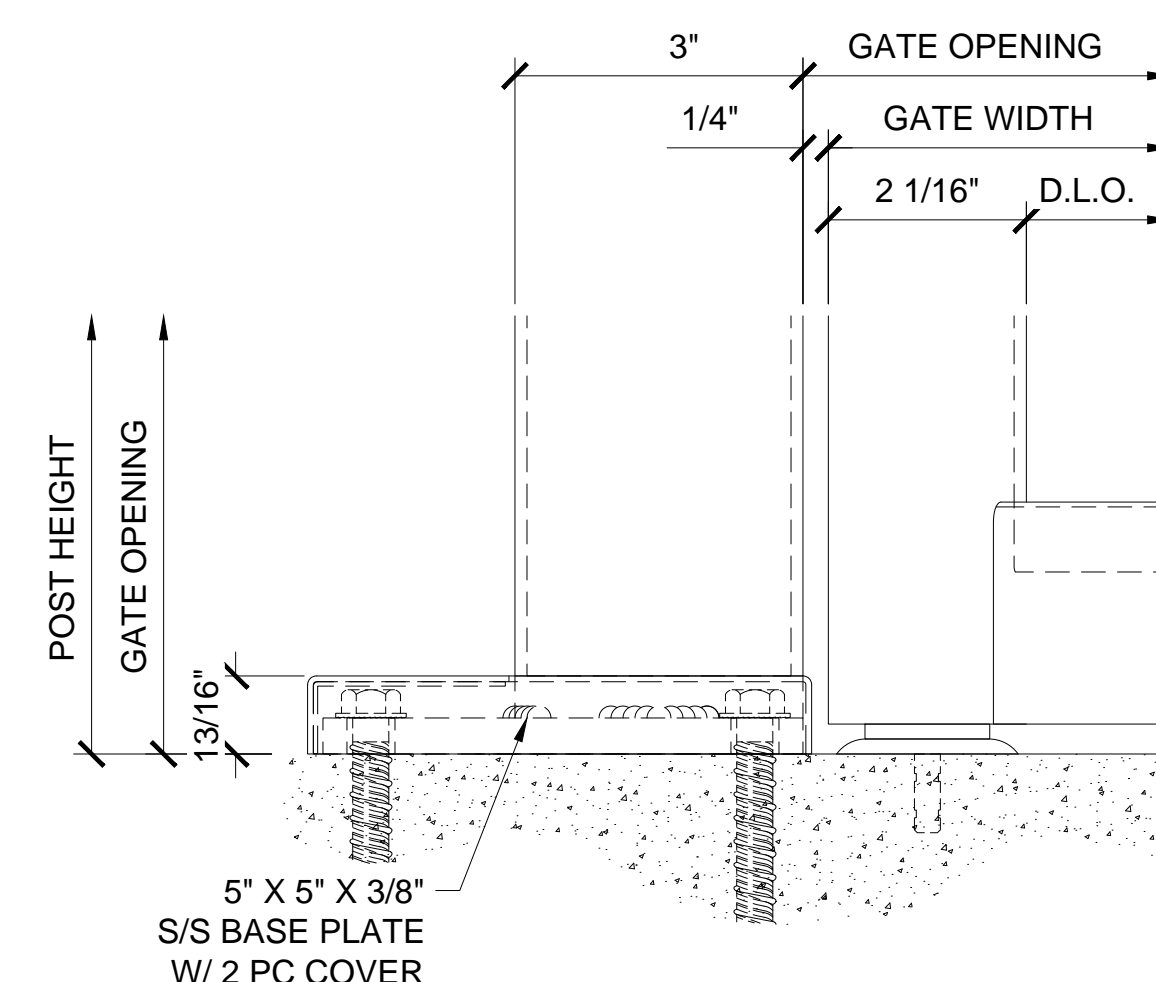
2 GRS20 2" Ø S/S CAP RAIL SECTION DETAIL
BRUSHED OR POLISHED S/S FINISH / POST MOUNT



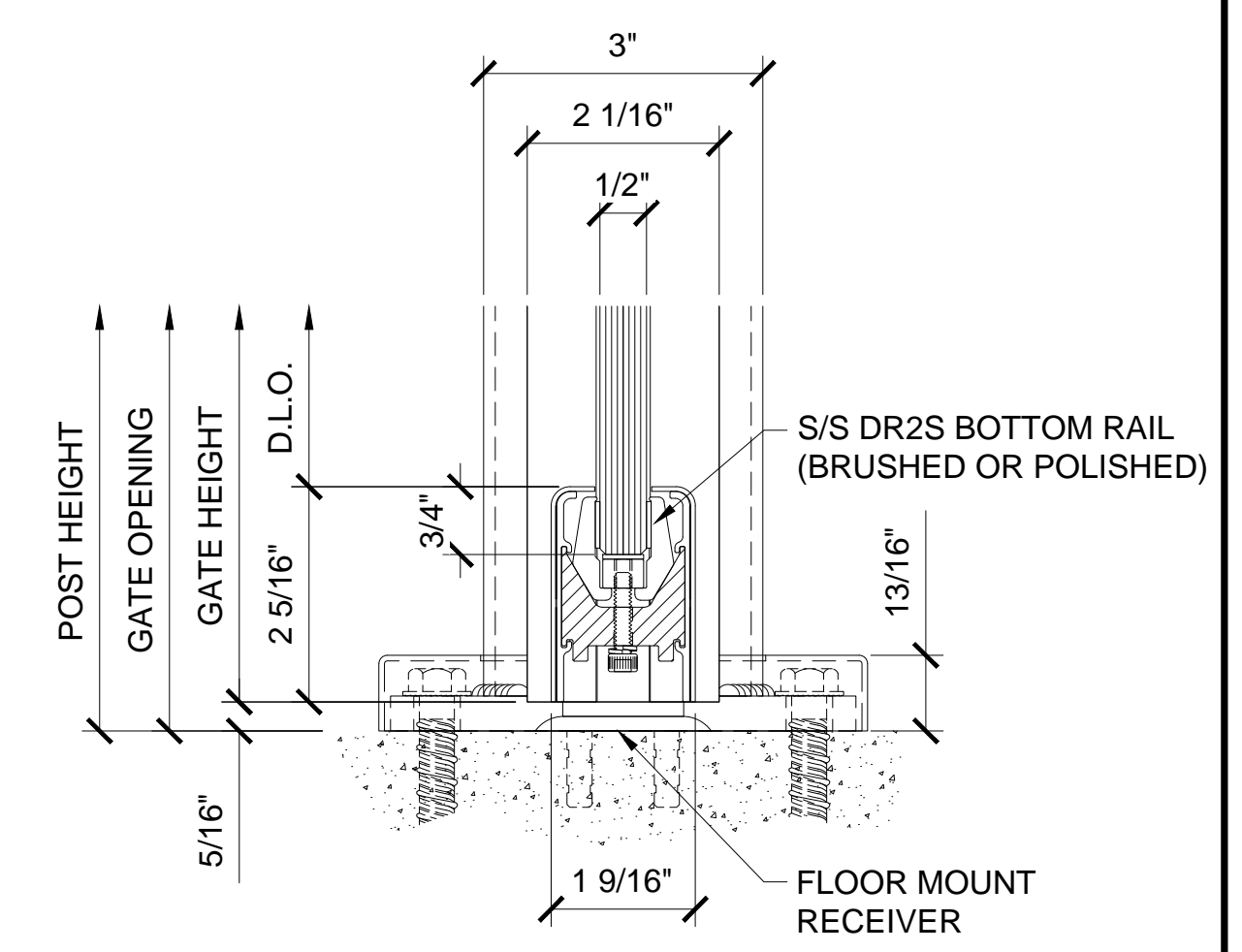
3 HINGE & PIVOT POST SECTION DETAIL
3" Ø S/S POST BRUSHED OR POLISHED FINISH



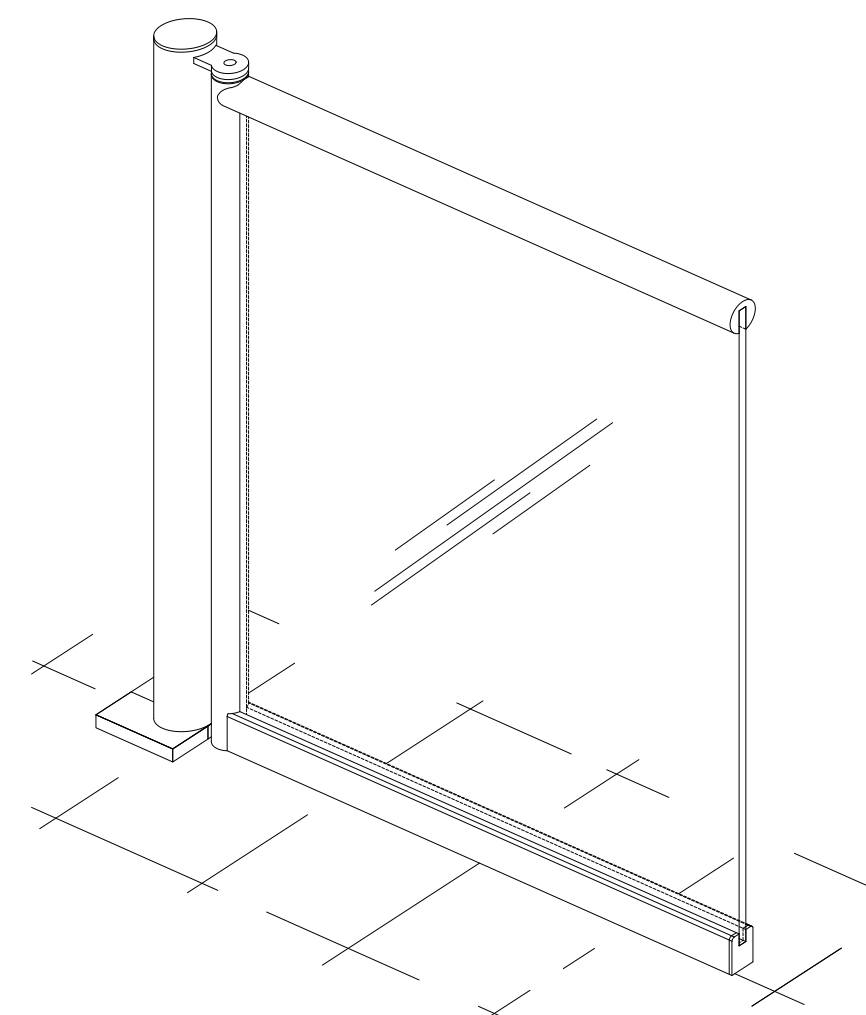
4 STRIKE SIDE SECTION DETAIL
DR2S BRUSHED OR POLISHED S/S FINISH



5 HINGE & PIVOT POST ELEVATION DETAIL
3" Ø S/S POST BRUSHED OR POLISHED FINISH



6 LOW PROFILE BOTTOM RAIL SECTION DETAIL
DR2S "WEDGE-LOCK" / BRUSHED OR POLISHED S/S FINISH



* BEAUTIFUL IN DESIGN AND FUNCTIONAL IN OPERATION

* HEAVY DUTY GLASS GATE WITH GRS20 SERIES S/S CAP RAIL

* DR2S SERIES LOW PROFILE BOTTOM RAIL WITH CRL "ALL GLASS" DOORS WEDGE-LOCK RAIL SYSTEM

* OPTIONAL LOCKS AVAILABLE
-STANDARD KIT PROVIDED WITH NO LOCKS

* UNIQUE CONCEALED CLOSING DEVICE LOCATED IN VERTICAL PIVOT POST

* ROUND VERTICAL EDGE GATE PIVOT PREVENTS FINGER PINCH

* DOUBLE ACTING, NO HOLD OPEN DESIGN

* GATE CENTERING ADJUSTMENT PROVIDES 10 DEGREES OF ALIGNMENT

* STAINLESS STEEL , BRUSHED OR POLISHED FINISHES

* 1/2" (12MM) TEMPERED GLASS (INCLUDED WITH KITS)

* CUSTOM MOUNTING OPTIONS AND SIZES ALSO AVAILABLE

* STANDARD GATE KIT IS 36"(W) X 42" (H) WITH FLOOR MOUNT BASE PLATE

*RECOMMENDED MAXIMUM GATE SIZE IS 40" (W) X 72" (H), MAY REQUIRE CORE MOUNTED HINGE POST

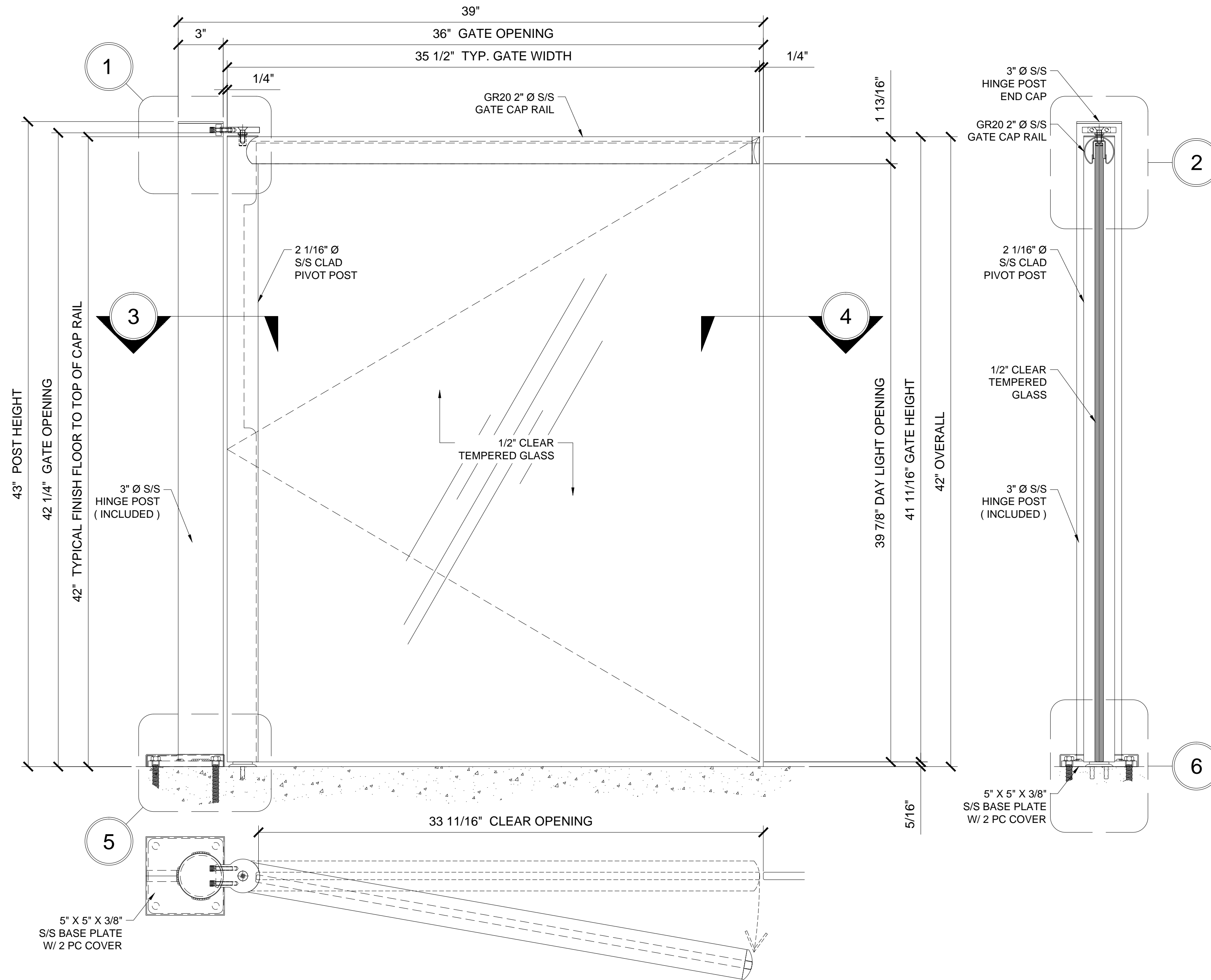
Revisions By:

Discription:
CRL GRS 1202 SERIES
SWINGING GLASS
GATE SYSTEMS

Drawn By: VM
Date: 12/02/2013
Scale: NOT TO SCALE
File Name: CRL GRS 1202 GS.dwg
Sheet

CRL GRS 1202 SERIES SWINGING GLASS GATE SYSTEM

"P2" POST MOUNTED GATE KIT



CRL GRS 1202 SERIES "TYPE P2" POST MOUNT SWINGING GLASS GATE KIT

1/2" (12MM) TEMPERED GLASS (INCLUDED WITH KIT)

CRL 1202 "TYPE P2" STANDARD GATE KITS:

CAT. NO	FINISH	SIZE	FITS OPENING	CLEAR OPENING*
1202P242BS	BRUSHED S/S	36" X 42"	41-1/4" WIDTH	33-11/16" WIDTH
1202P242PS	POLISHED S/S	36" X 42"	41-1/4" WIDTH	33-11/16" WIDTH

(* WHEN GATE OPEN AT 90°)

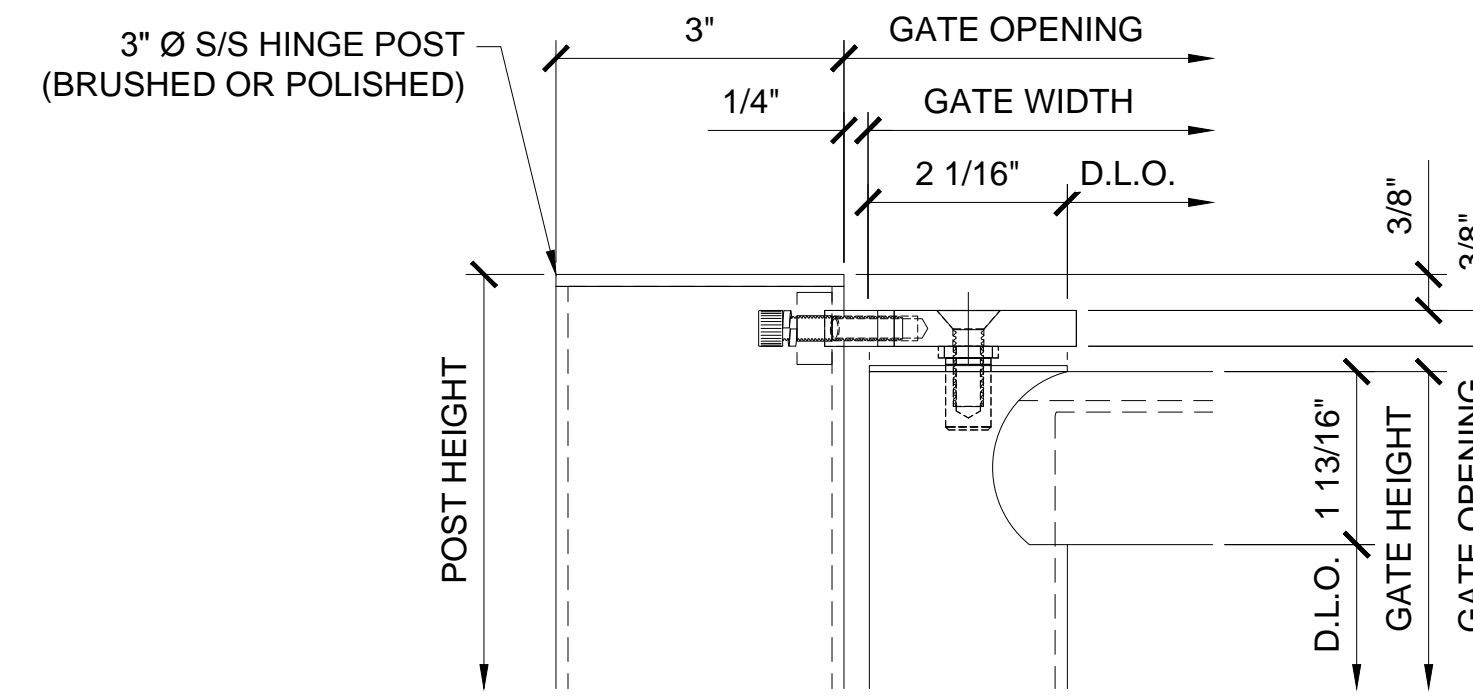
CRL 1202 "TYPE P2" CUSTOM GATE KITS:

CAT. NO	FINISH	SIZE	FITS OPENING	CLEAR OPENING*
1202P2BSC	BRUSHED S/S	PER CUSTOMER SPECIFICATIONS		
1202P2PSC	POLISHED S/S	PER CUSTOMER SPECIFICATIONS		

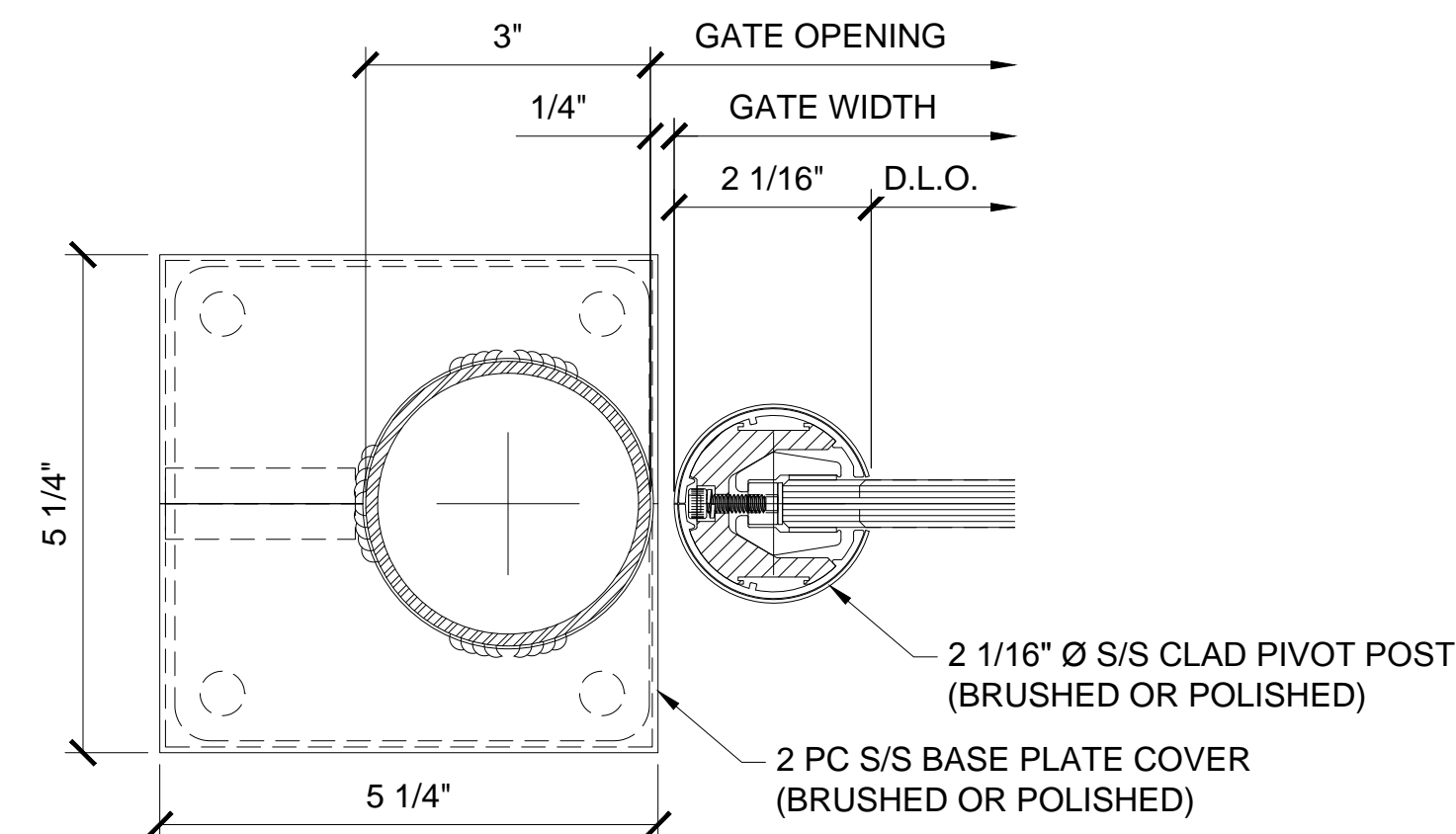
MAXIMUM RECOMMENDED GATE SIZE IS 40" X 72", MAY REQUIRE CORE MOUNTED HINGE POST

"TYPE P2" STANDARD GATE KIT INCLUDES:

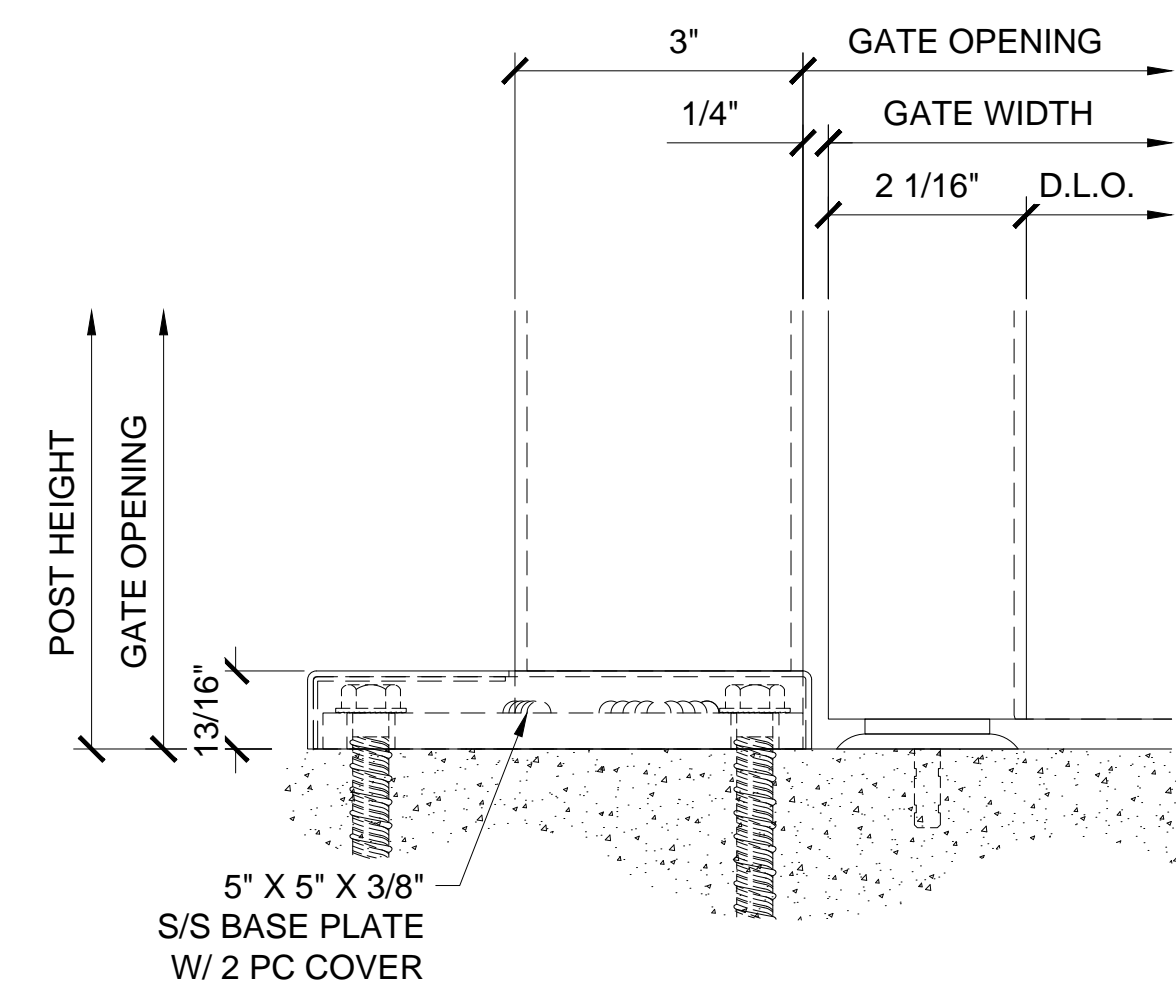
- (1) 3" Ø S/S CAPPED VERTICAL HINGE POST WITH BASE PLATE AND 2PC COVER
- (1) S/S POST MOUNT GATE PIVOT BAR
- (1) 2 1/16" Ø S/S CLAD PIVOT POST W/ IN RAIL CLOSER AND FLOOR MOUNT RECEIVER
- (1) GR20 SERIES 2" Ø S/S CAP RAIL
- (1) 1/2" (12MM) CLEAR TEMPERED GLASS



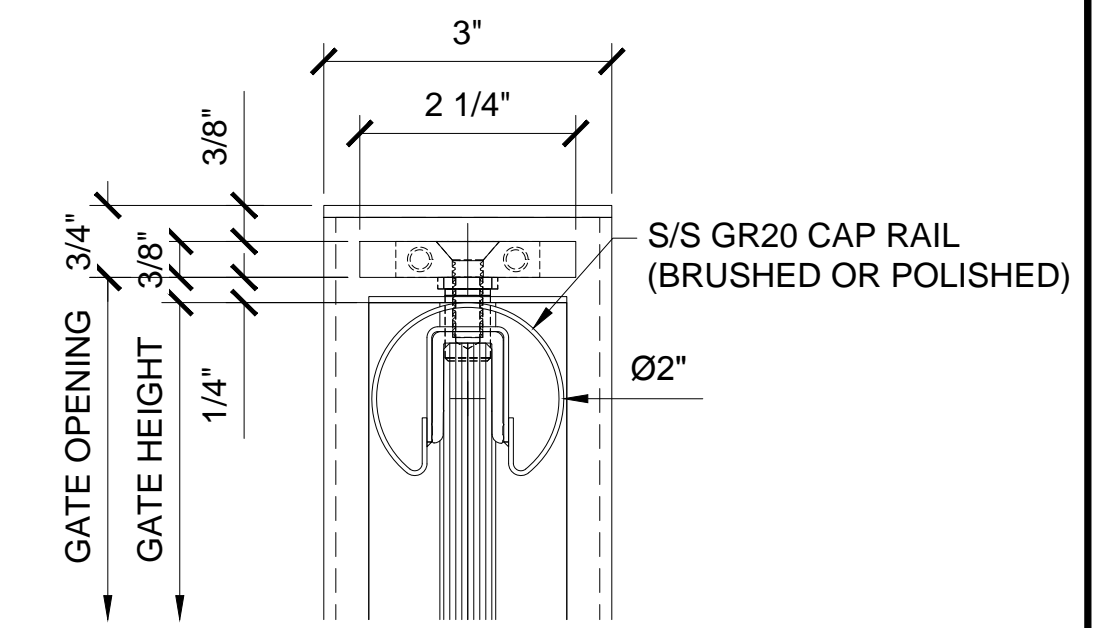
1 POST MOUNT & PIVOT POST ELEVATION DETAIL
INCLUDED 3" Ø S/S HINGE POST BRUSHED OR POLISHED FINISH



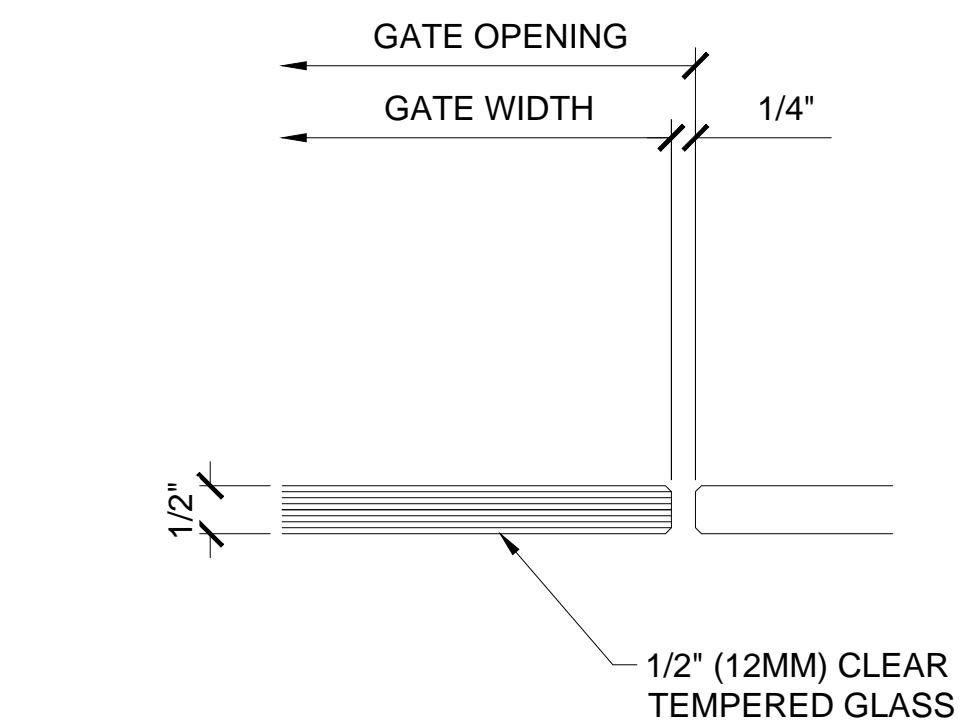
3 HINGE & PIVOT POST SECTION DETAIL
3" Ø S/S POST BRUSHED OR POLISHED FINISH



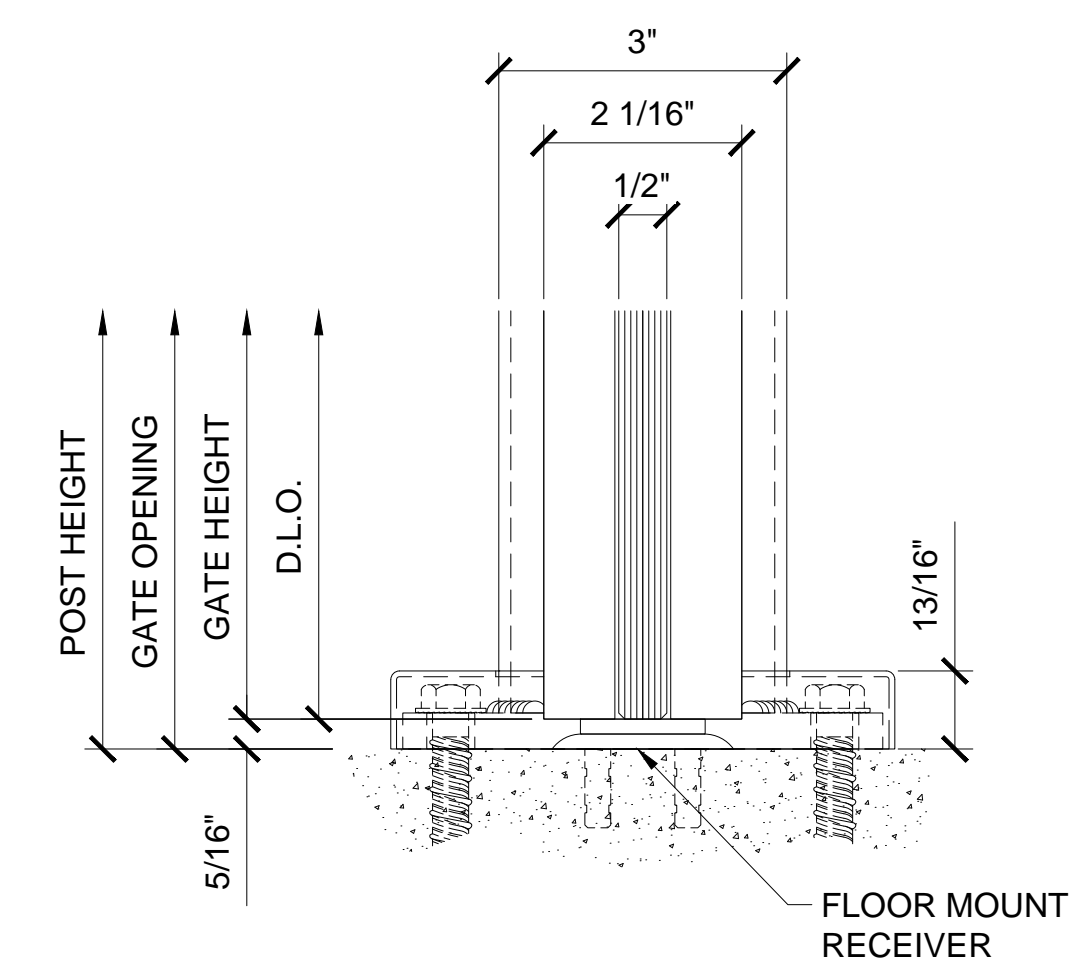
5 HINGE & PIVOT POST ELEVATION DETAIL
3" Ø S/S POST BRUSHED OR POLISHED FINISH



2 GRS20 2" Ø S/S CAP RAIL SECTION DETAIL
BRUSHED OR POLISHED S/S FINISH / POST MOUNT



4 GLASS STRIKE SECTION DETAIL
1/2" (12MM) CLEAR TEMPERED GLASS



6 BOTTOM GLASS GATE SECTION DETAIL
1/2" (12MM) CLEAR TEMPERED GLASS

- * BEAUTIFUL IN DESIGN AND FUNCTIONAL IN OPERATION
- * HEAVY DUTY GLASS GATE WITH GRS20 SERIES S/S CAP RAIL
- * UNIQUE CONCEALED CLOSING DEVICE LOCATED IN VERTICAL PIVOT POST
- * ROUND VERTICAL EDGE GATE PIVOT PREVENTS FINGER PINCH

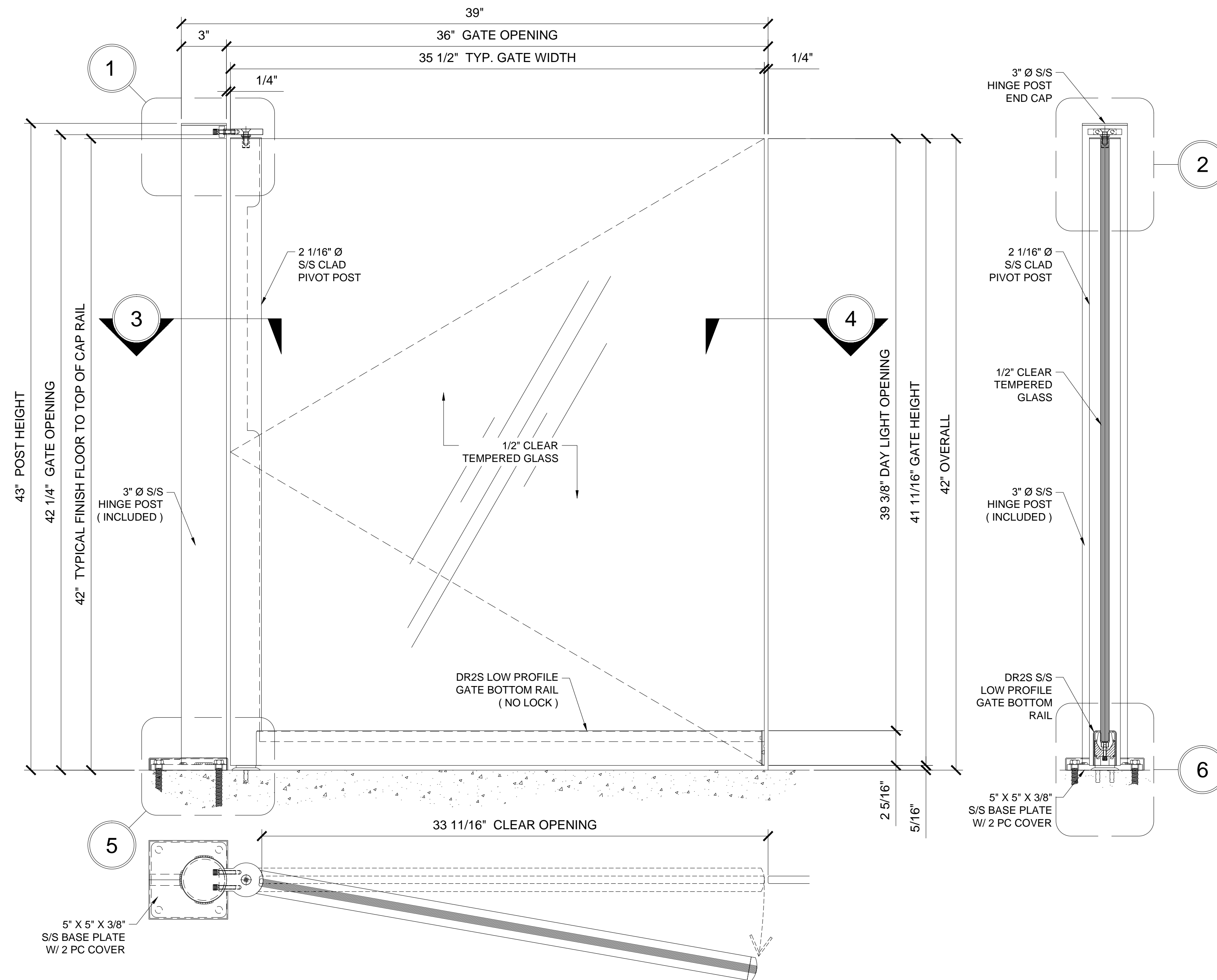
- * DOUBLE ACTING, NO HOLD OPEN DESIGN
- * GATE CENTERING ADJUSTMENT PROVIDES 10 DEGREES OF ALIGNMENT
- * STAINLESS STEEL, BRUSHED OR POLISHED FINISHES
- * 1/2" (12MM) TEMPERED GLASS (INCLUDED WITH KIT)
- * CUSTOM MOUNTING OPTIONS AND SIZES ALSO AVAILABLE
- * STANDARD GATE KIT IS 36"(W) X 42" (H) WITH FLOOR MOUNT BASE PLATE
- * RECOMMENDED MAXIMUM GATE SIZE IS 40" (W) X 72" (H), MAY REQUIRE CORE MOUNTED HINGE POST

Revisions By:

Discription:
CRL GRS 1202 SERIES
SWINGING GLASS
GATE SYSTEMS

Drawn By: VM
Date: 12/02/2013
Scale: NOT TO SCALE
File Name: CRL GRS 1202 GS.dwg
Sheet

"P3" POST MOUNTED GATE KIT



CRL GRS1202 SERIES "TYPE P3" POST MOUNT SWINGING GLASS GATE KIT

1/2" (12MM) TEMPERED GLASS (INCLUDED WITH KIT)

CRL 1202 "TYPE P3" STANDARD GATE KITS:

CAT. NO	FINISH	SIZE	FITS OPENING	CLEAR OPENING*
1202P342BS	BRUSHED S/S	36" X 42"	41-1/4" WIDTH	33-11/16" WIDTH
1202P342PS	POLISHED S/S	36" X 42"	41-1/4" WIDTH	33-11/16" WIDTH

(* WHEN GATE OPEN AT 90°)

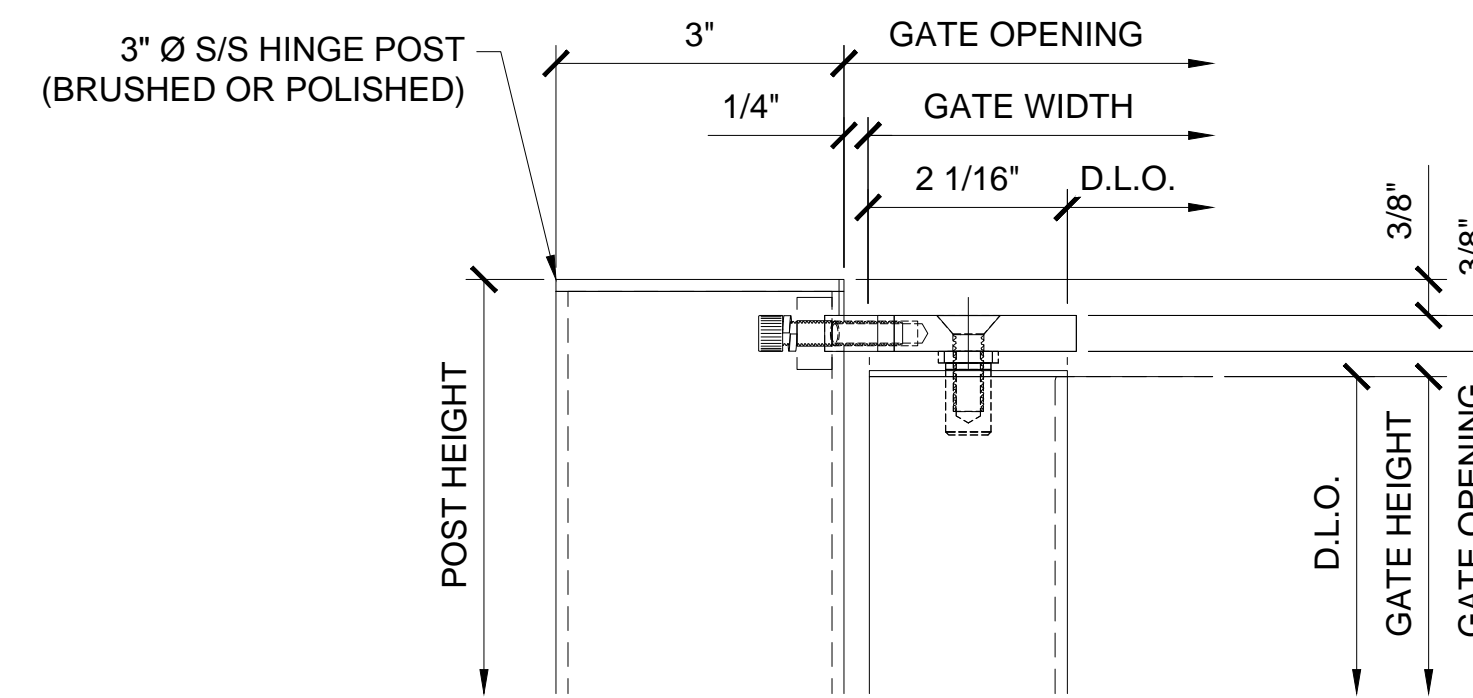
CRL 1202 "TYPE P3" CUSTOM GATE KITS:

CAT. NO	FINISH	SIZE
1202P3BSC	BRUSHED S/S	PER CUSTOMER SPECIFICATIONS
1202P3PSC	POLISHED S/S	PER CUSTOMER SPECIFICATIONS

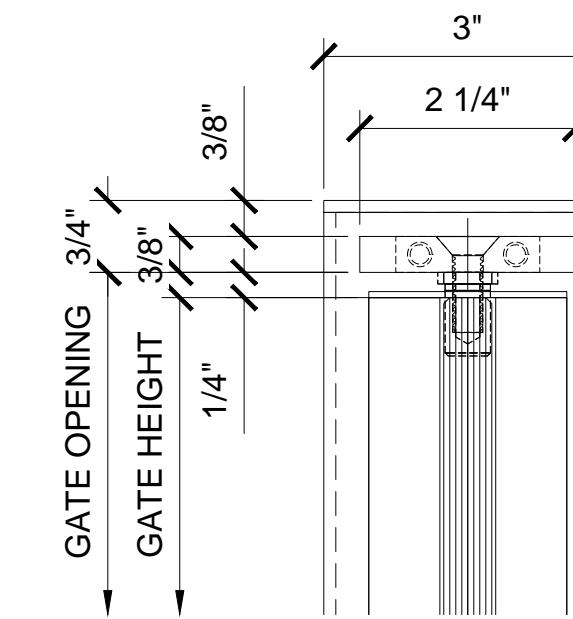
MAXIMUM RECOMMENDED GATE SIZE IS 40" X 72", MAY REQUIRE CORE MOUNTED HINGE POST

"TYPE P3" STANDARD GATE KIT INCLUDES:

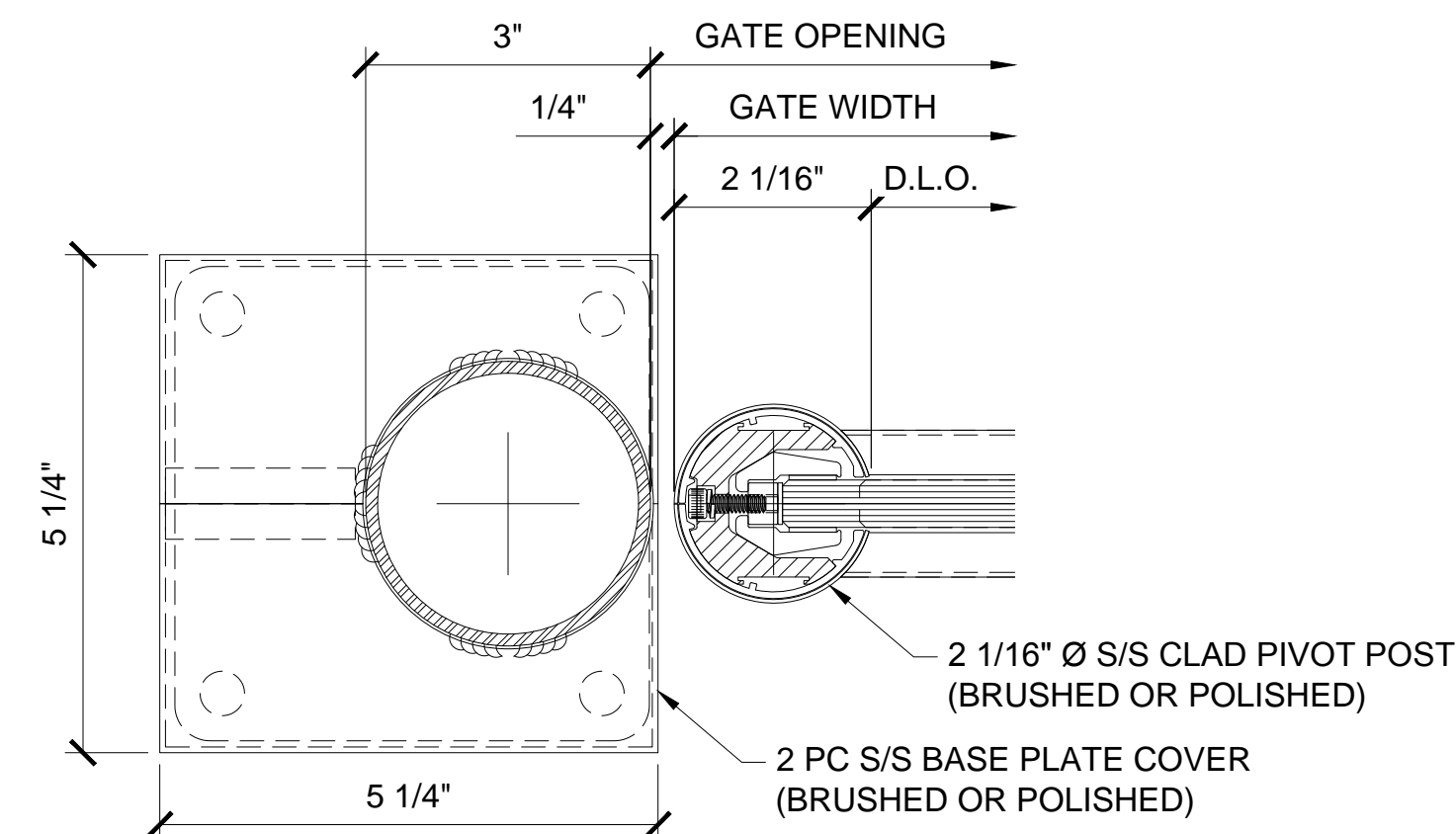
- (1) 3" Ø S/S CAPPED VERTICAL HINGE POST WITH BASE PLATE AND 2PC COVER
- (1) S/S POST MOUNT GATE PIVOT BAR
- (1) 2 1/16" Ø S/S CLAD PIVOT POST W/ IN RAIL CLOSER AND FLOOR MOUNT RECEIVER
- (1) S/S CLAD DR2S LOW PROFILE BOTTOM GATE RAIL (NO LOCK)
- (1) 1/2" (12MM) CLEAR TEMPERED GLASS



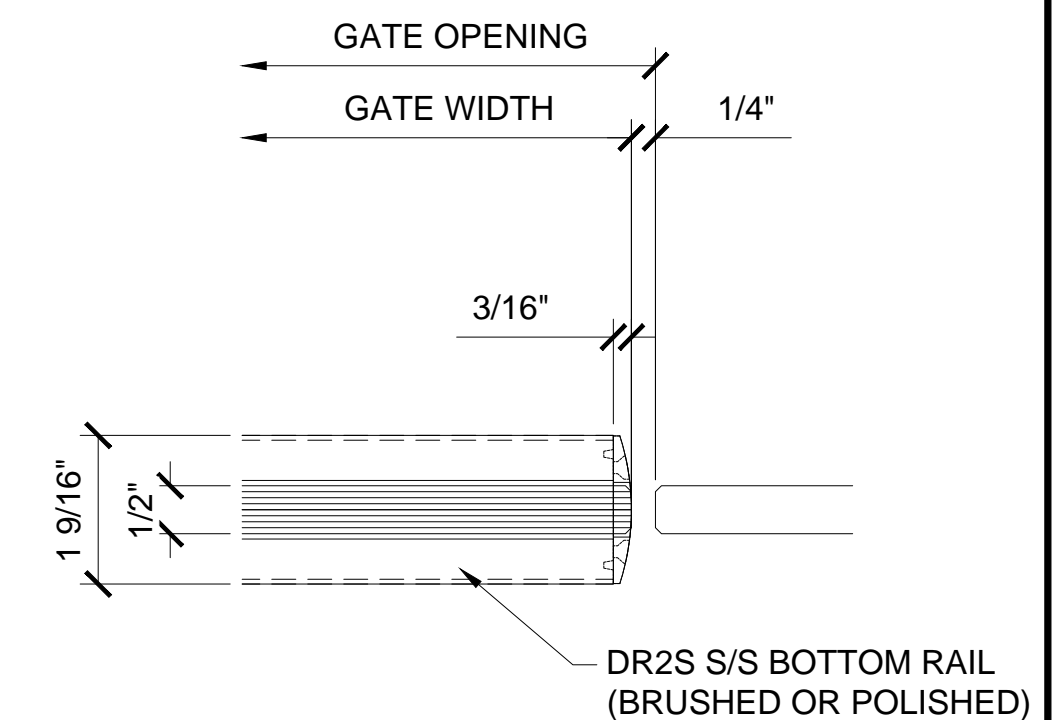
1 POST MOUNT & PIVOT POST ELEVATION DETAIL
INCLUDED 3" Ø S/S HINGE POST BRUSHED OR POLISHED FINISH



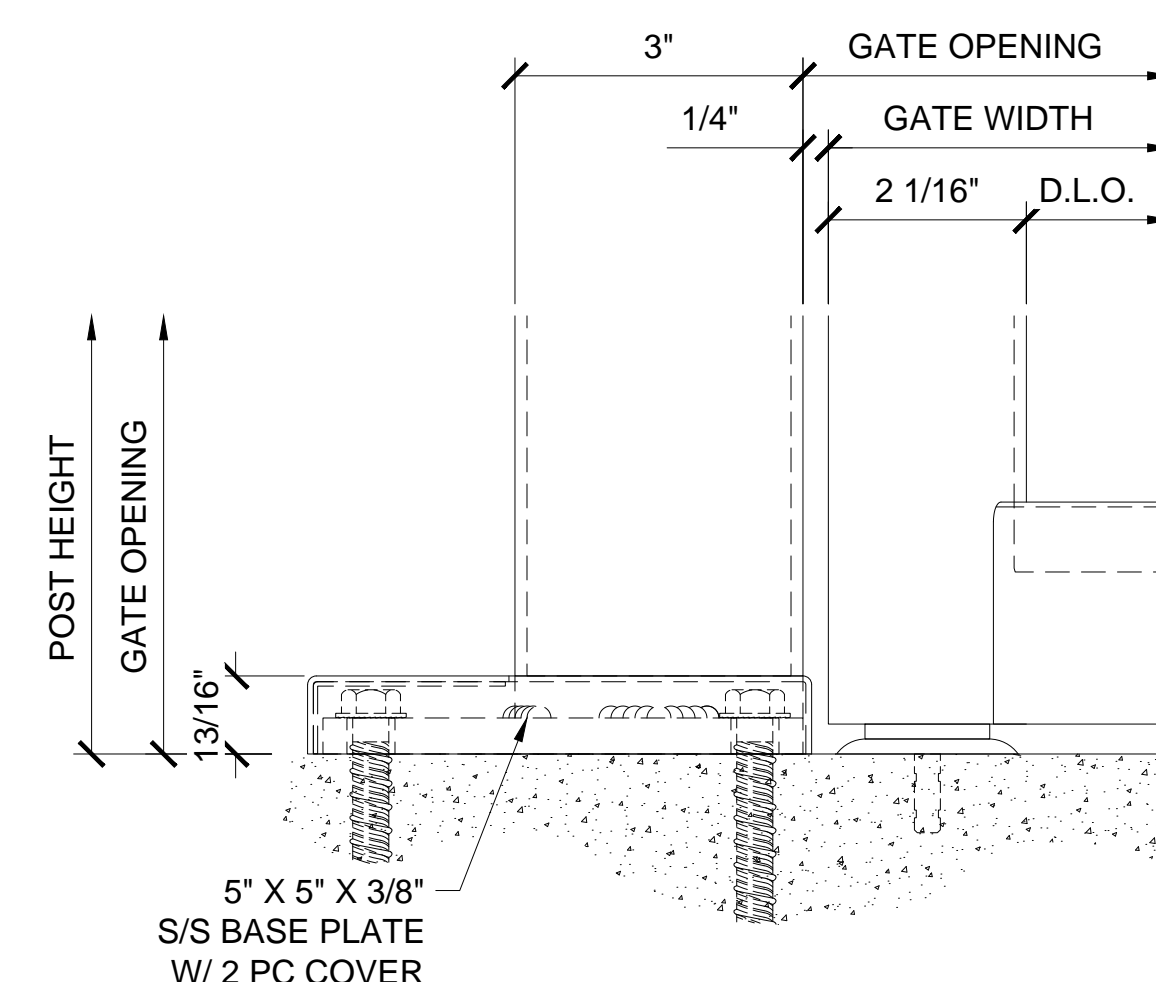
2 GLASS GATE TOP SECTION DETAIL
1/2" (12MM) CLEAR TEMPERED GLASS / POST MOUNT



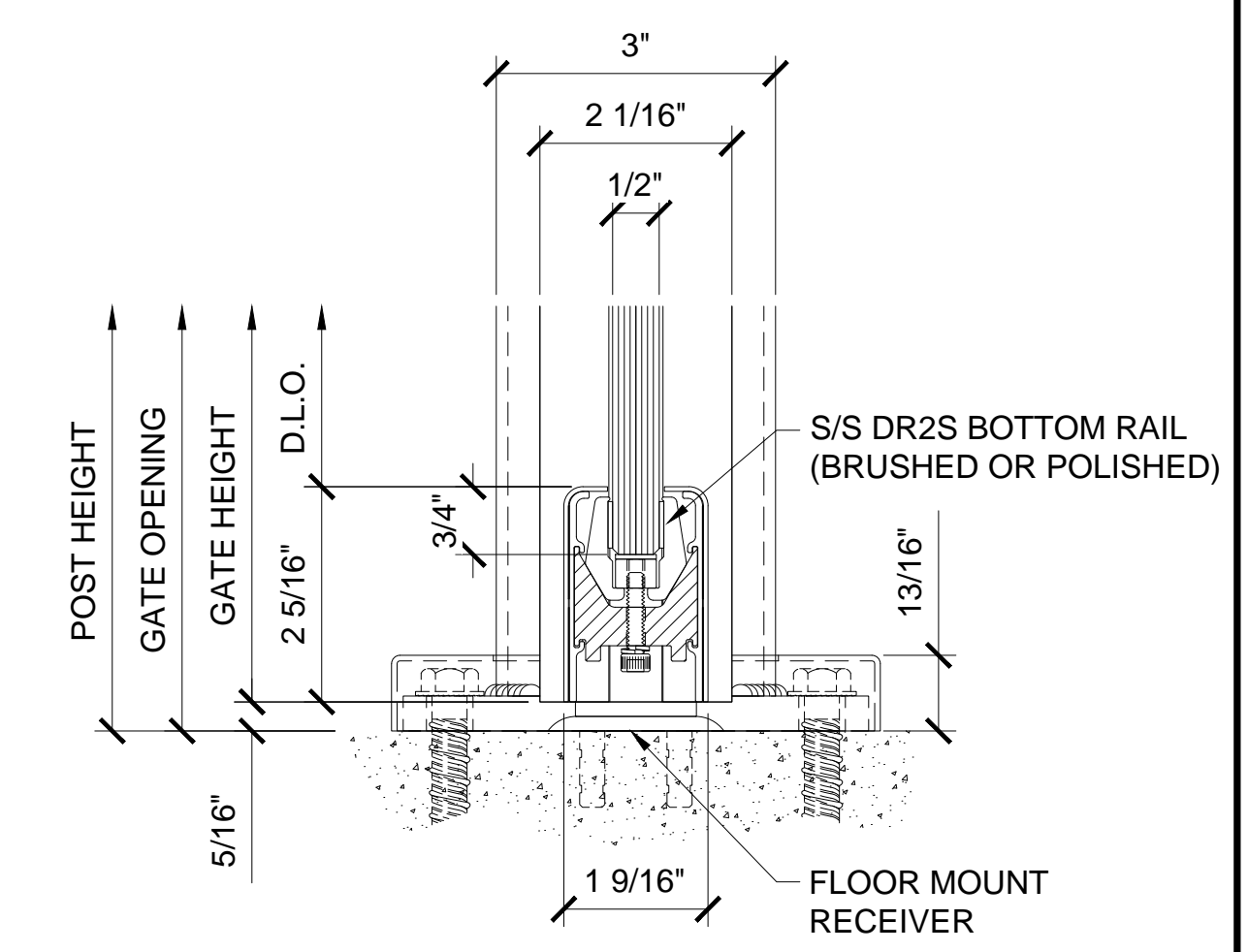
3 HINGE & PIVOT POST SECTION DETAIL
3" Ø S/S POST BRUSHED OR POLISHED FINISH



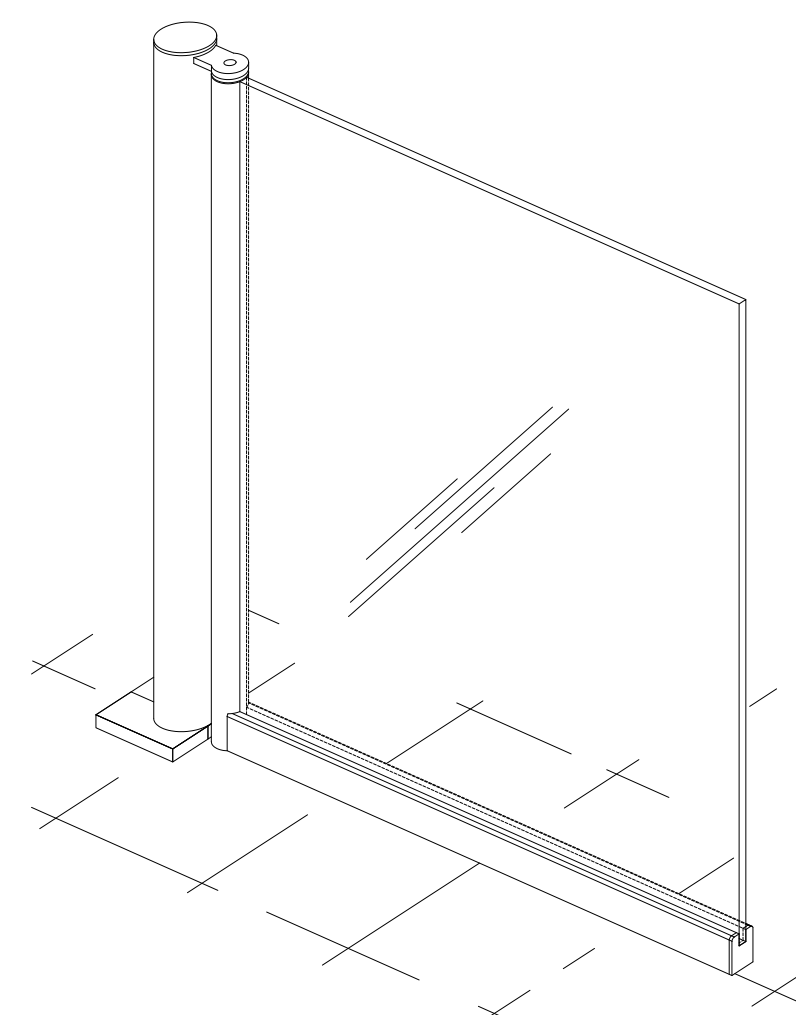
4 STRIKE SECTION DETAIL
DR2S BRUSHED OR POLISHED S/S FINISH



5 HINGE & PIVOT POST ELEVATION DETAIL
3" Ø S/S POST BRUSHED OR POLISHED FINISH



6 LOW PROFILE BOTTOM RAIL SECTION DETAIL
DR2S "WEDGE-LOCK" / BRUSHED OR POLISHED S/S FINISH



* BEAUTIFUL IN DESIGN AND FUNCTIONAL IN OPERATION

* DR2S SERIES LOW PROFILE BOTTOM RAIL WITH CRL "ALL GLASS" DOORS WEDGE-LOCK RAIL SYSTEM

* OPTIONAL LOCKS AVAILABLE
-STANDARD KIT PROVIDED WITH NO LOCKS

* UNIQUE CONCEALED CLOSING DEVICE LOCATED IN VERTICAL PIVOT POST

* ROUND VERTICAL EDGE GATE PIVOT PREVENTS FINGER PINCH

* DOUBLE ACTING, NO HOLD OPEN DESIGN

* GATE CENTERING ADJUSTMENT PROVIDES 10 DEGREES OF ALIGNMENT

* STAINLESS STEEL, BRUSHED OR POLISHED FINISHES

* 1/2" (12MM) TEMPERED GLASS (INCLUDED WITH KITS)

* CUSTOM MOUNTING OPTIONS AND SIZES ALSO AVAILABLE

* STANDARD GATE KIT IS 36"(W) X 42" (H) WITH FLOOR MOUNT BASE PLATE

*RECOMMENDED MAXIMUM GATE SIZE IS 40" (W) X 72" (H), MAY REQUIRE CORE MOUNTED HINGE POST

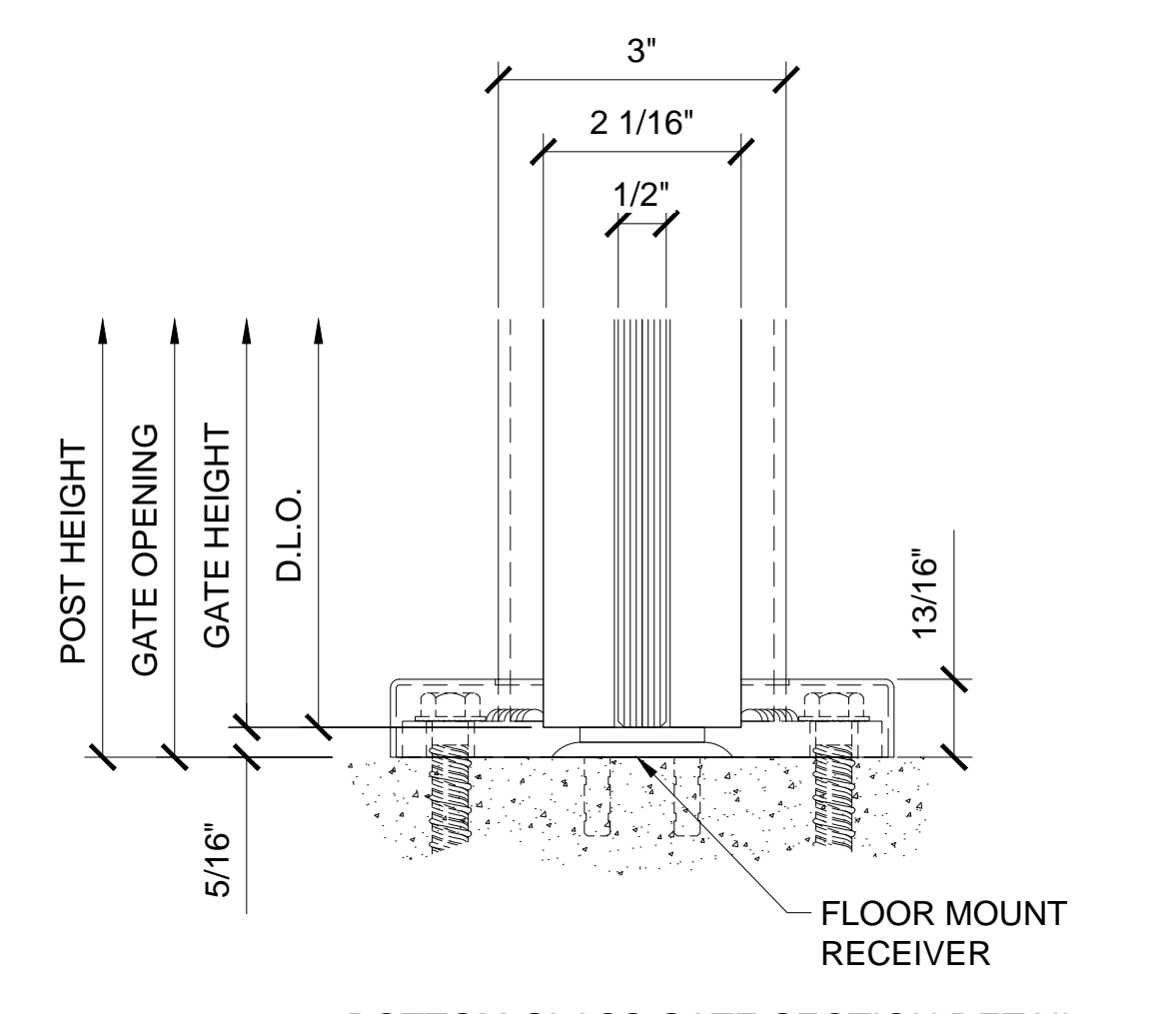
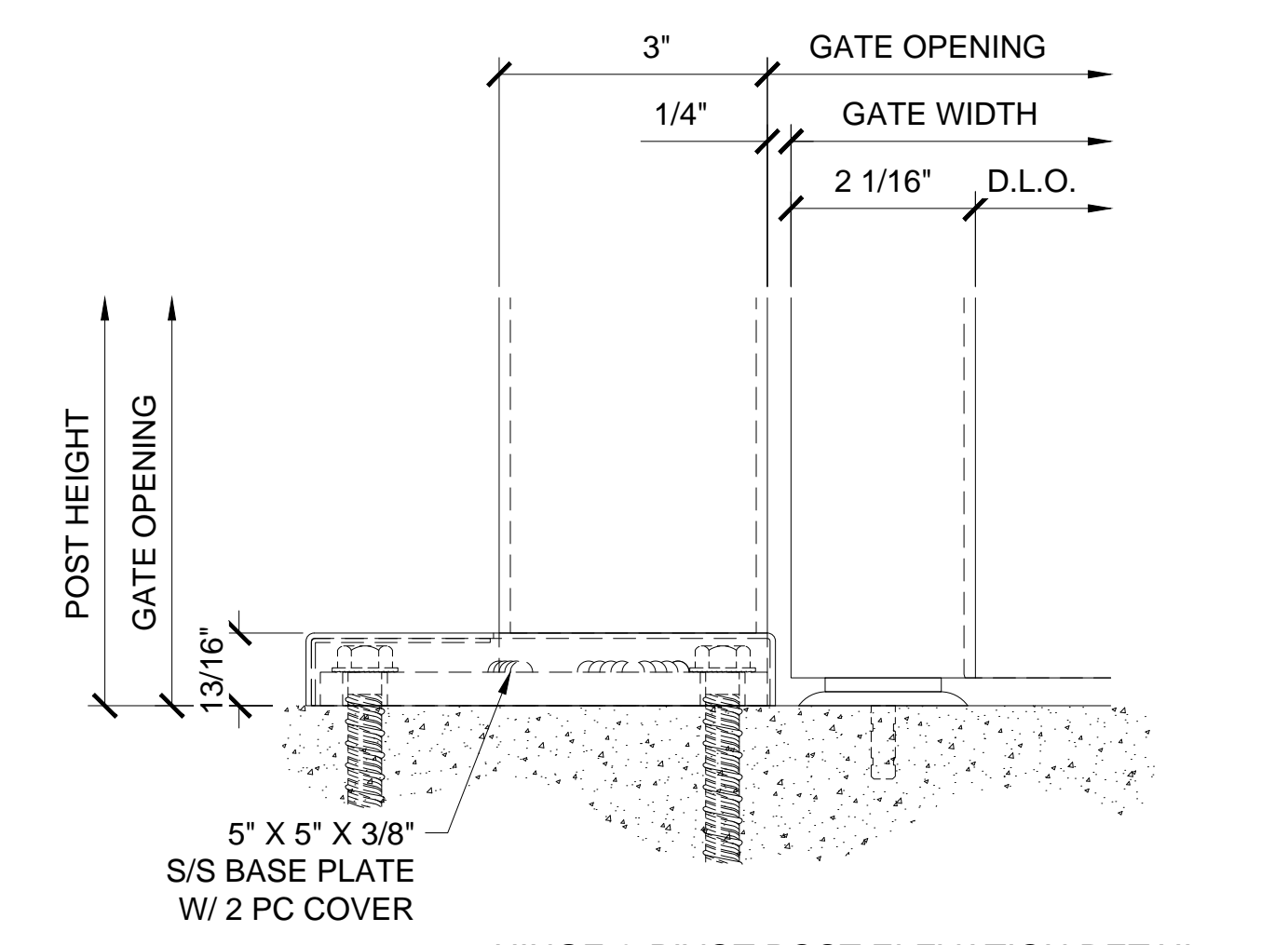
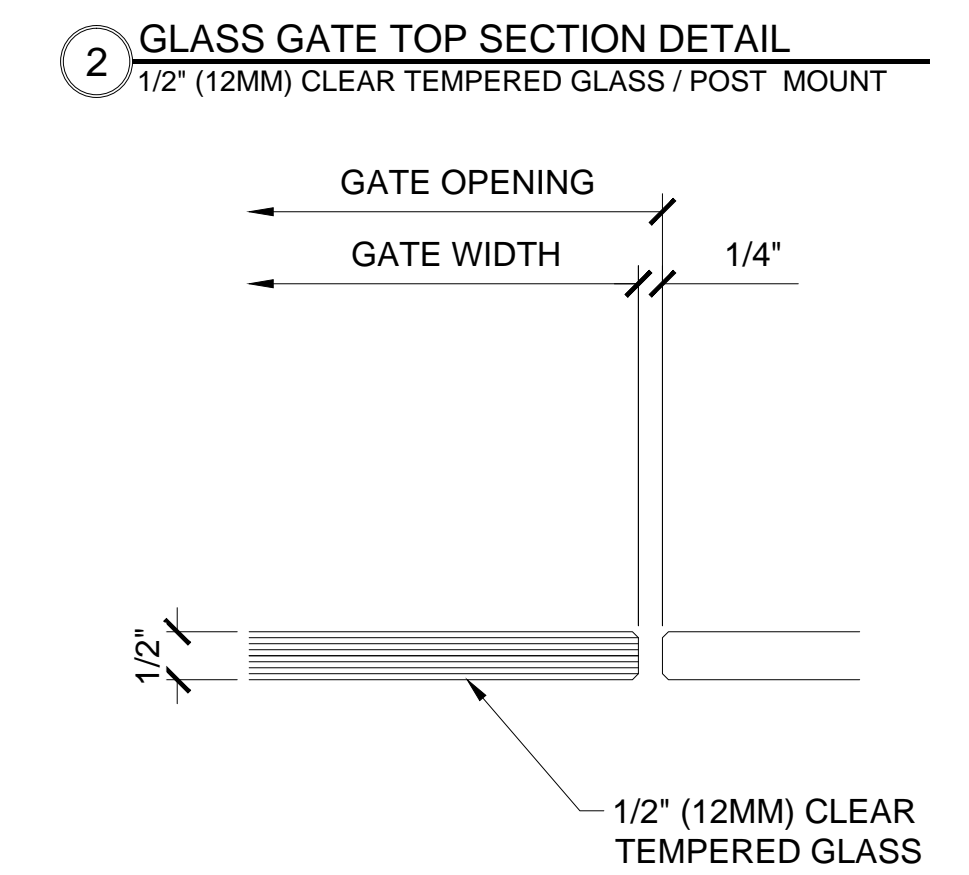
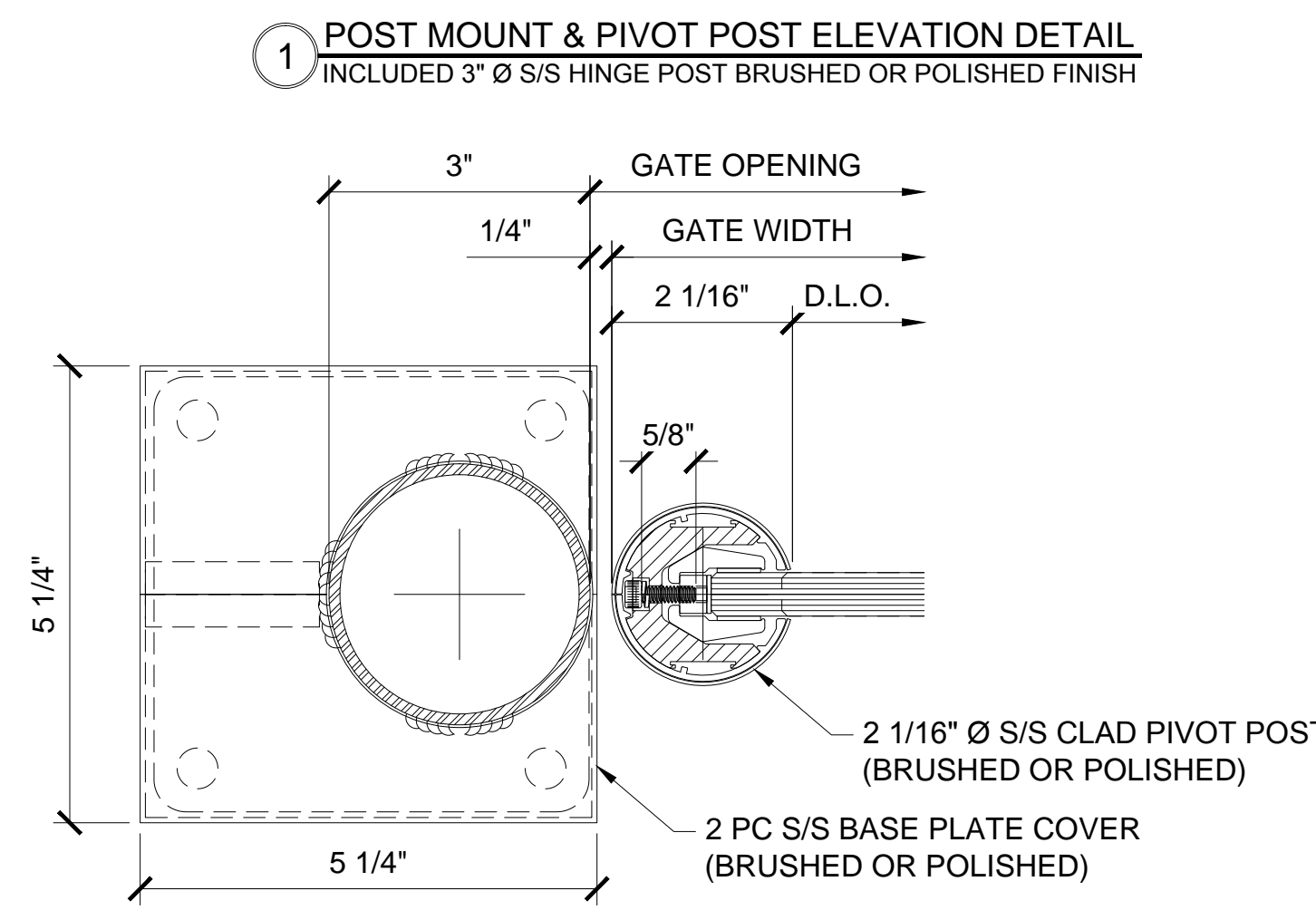
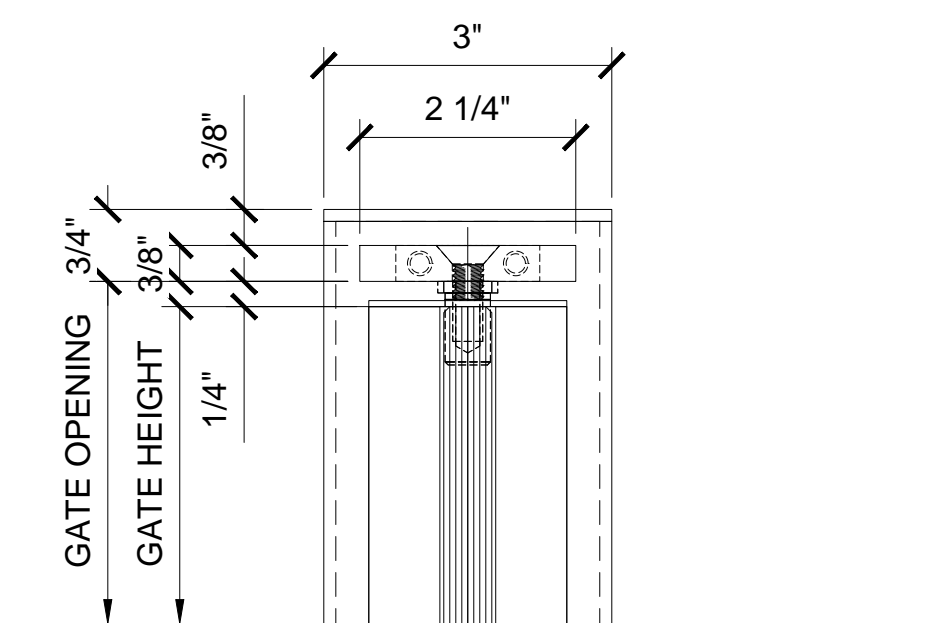
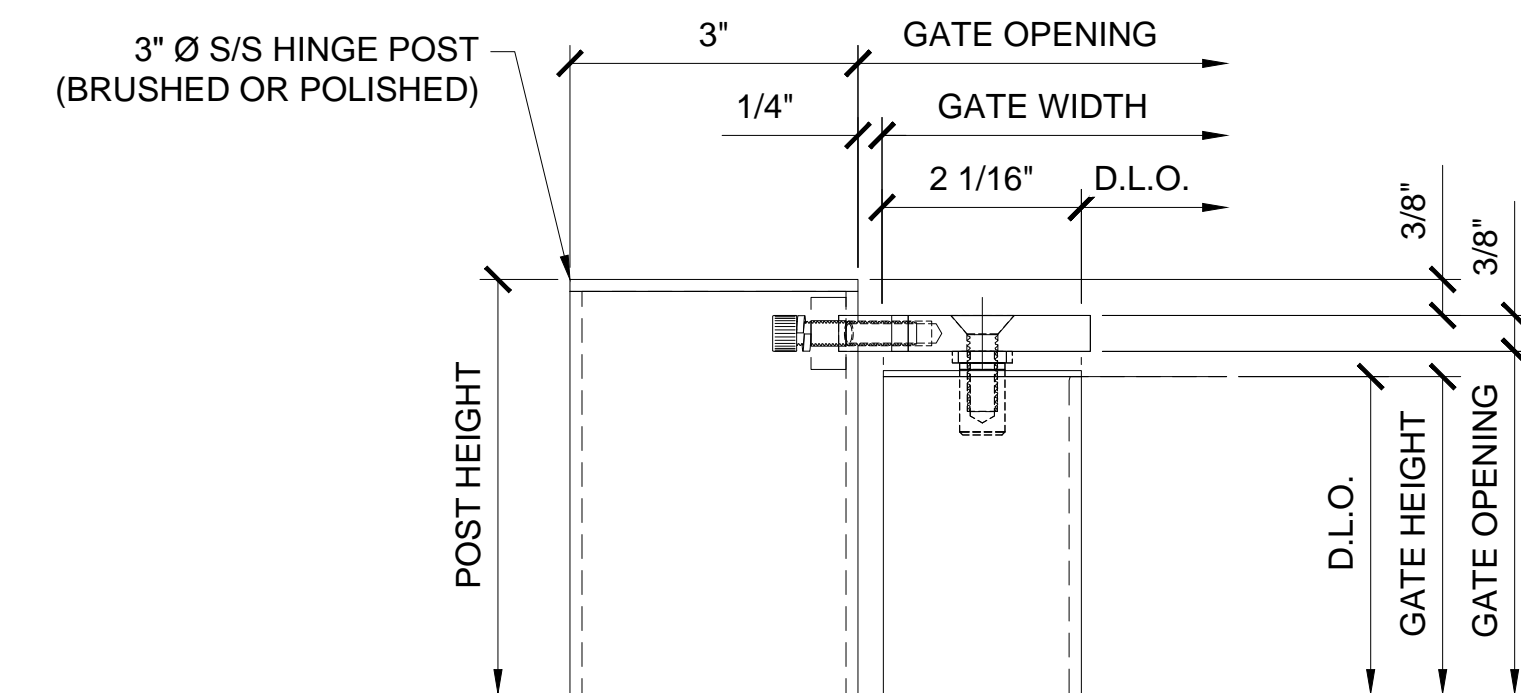
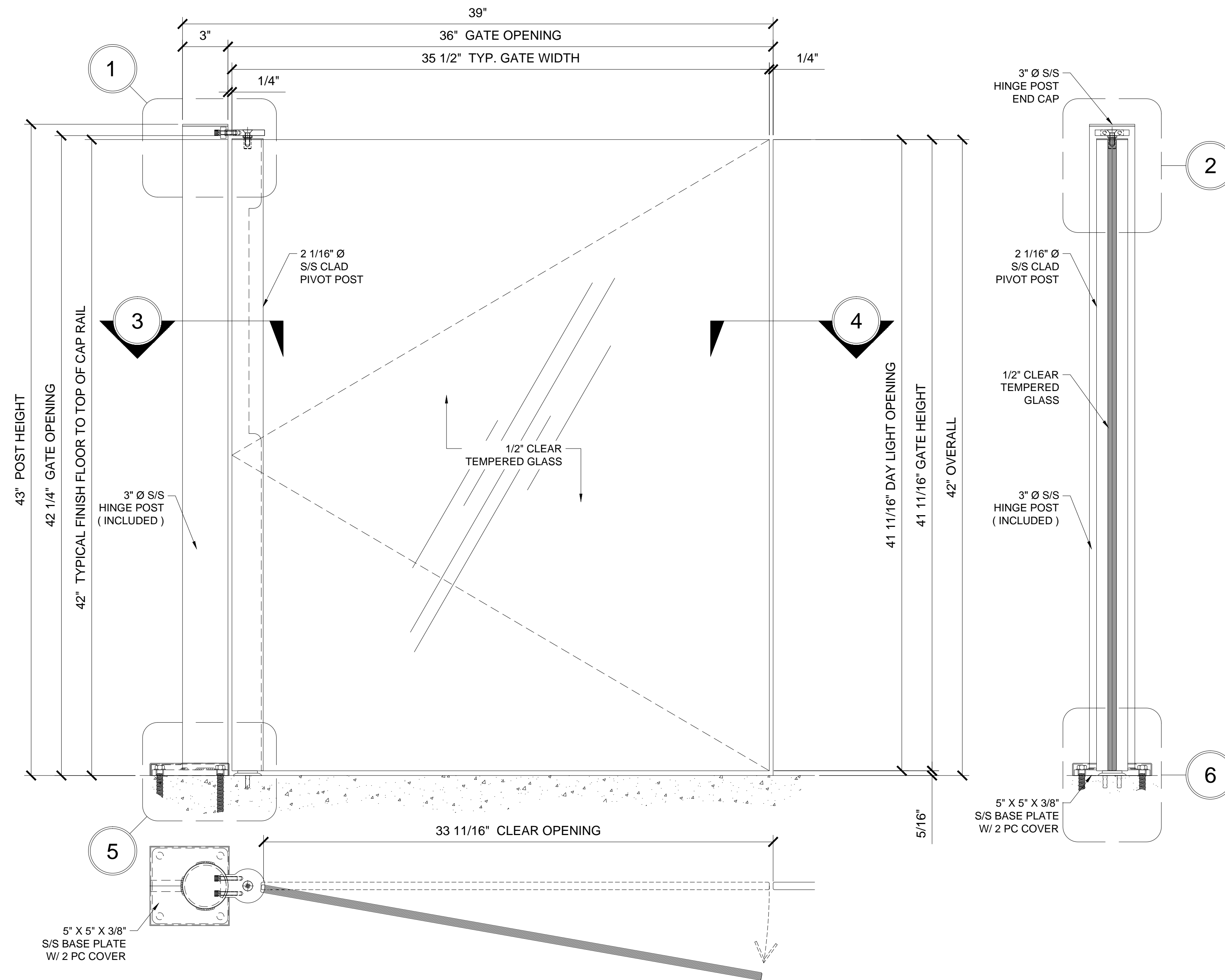
Revisions By:

Discription:
CRL GRS 1202 SERIES
SWINGING GLASS
GATE SYSTEMS

Drawn By: VM
Date: 12/02/2013
Scale: NOT TO SCALE
File Name: CRL GRS 1202 GS.dwg
Sheet

CRL GRS 1202 SERIES SWINGING GLASS GATE SYSTEM

"P4" POST MOUNTED GATE KIT



CRL GRS 1202 SERIES "TYPE P4" POST MOUNT SWINGING GLASS GATE KIT

1/2" (12MM) TEMPERED GLASS (INCLUDED WITH KIT)

CRL 1202 "TYPE P4" STANDARD GATE KITS:

CAT. NO	FINISH	SIZE	FITS OPENING	CLEAR OPENING*
1202P442BS	BRUSHED S/S	36" X 42"	41-1/4" WIDTH	33-11/16" WIDTH
1202P442PS	POLISHED S/S	36" X 42"	41-1/4" WIDTH	33-11/16" WIDTH

CRL 1202 "TYPE P4" CUSTOM GATE KITS:

CAT. NO	FINISH	SIZE	FITS OPENING	CLEAR OPENING*
1202P4BSC	BRUSHED S/S	PER CUSTOMER SPECIFICATIONS		
1202P4PSC	POLISHED S/S	PER CUSTOMER SPECIFICATIONS		

MAXIMUM RECOMMENDED GATE SIZE IS 40" X 72", MAY REQUIRE CORE MOUNTED HINGE POST

"TYPE P4" STANDARD GATE KIT INCLUDES:

- (1) 3" Ø S/S CAPPED VERTICAL HINGE POST WITH BASE PLATE AND 2PC COVER
- (1) S/S POST MOUNT GATE PIVOT BAR
- (1) 2 1/16" Ø S/S CLAD PIVOT POST W/ IN RAIL CLOSER AND FLOOR MOUNT RECEIVER
- (1) 1/2" (12MM) CLEAR TEMPERED GLASS

* BEAUTIFUL IN DESIGN AND FUNCTIONAL IN OPERATION

* UNIQUE CONCEALED CLOSING DEVICE LOCATED IN VERTICAL PIVOT POST

* ROUND VERTICAL EDGE GATE PIVOT PREVENTS FINGER PINCH

* DOUBLE ACTING, NO HOLD OPEN DESIGN

* GATE CENTERING ADJUSTMENT PROVIDES 10 DEGREES OF ALIGNMENT

* STAINLESS STEEL , BRUSHED OR POLISHED FINISHES

* 1/2" (12MM) TEMPERED GLASS (INCLUDED WITH KITS)

* CUSTOM MOUNTING OPTIONS AND SIZES ALSO AVAILABLE

* STANDARD GATE KIT IS 36"(W) X 42" (H) WITH FLOOR MOUNT BASE PLATE

*RECOMMENDED MAXIMUM GATE SIZE IS 40" (W) X 72" (H), MAY REQUIRE CORE MOUNTED HINGE POST

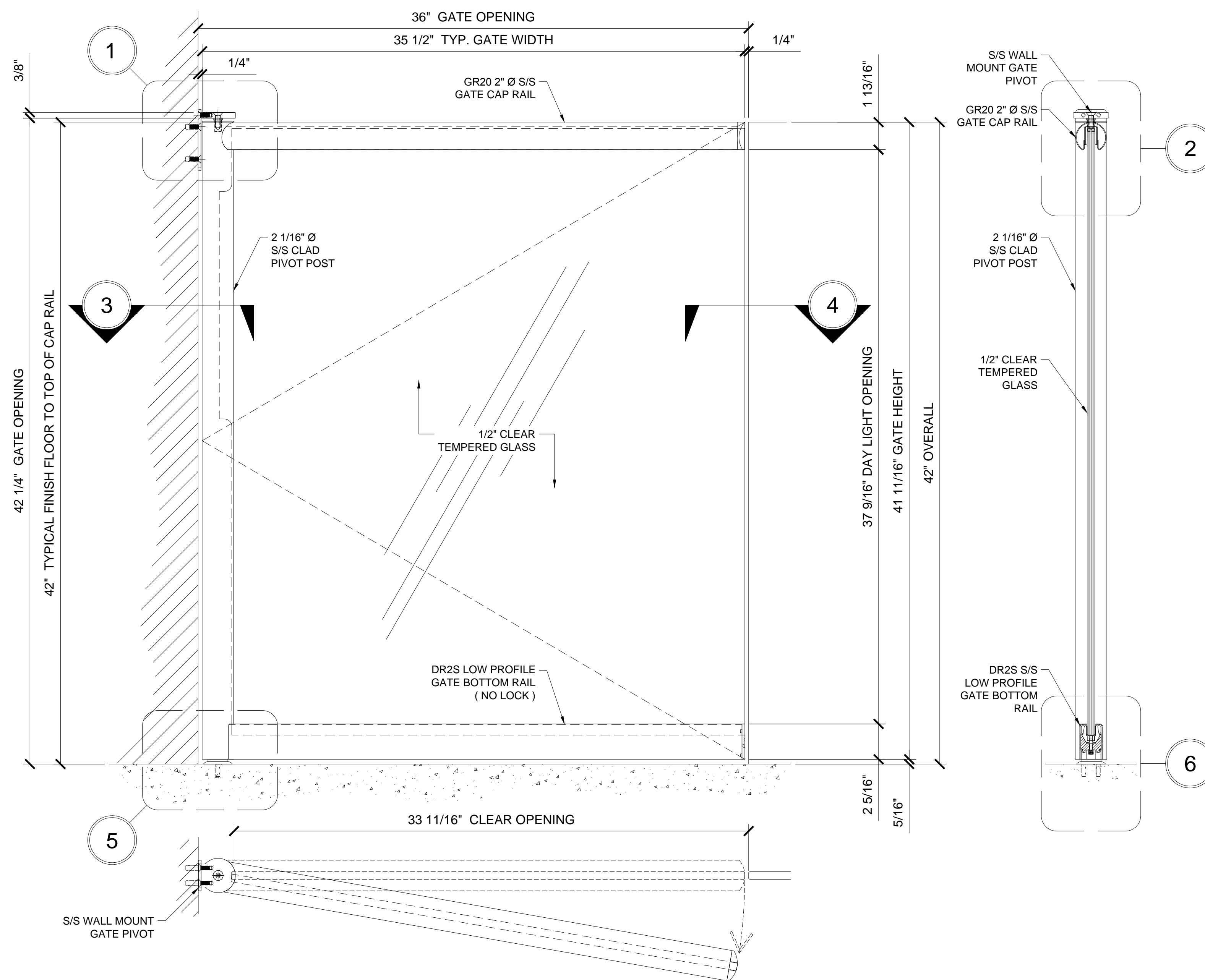
Revisions By:

Discription:
CRL GRS 1202 SERIES
SWINGING GLASS
GATE SYSTEMS

Drawn By: VM
Date: 12/02/2013
Scale: NOT TO SCALE
File Name: CRL GRS 1202 GS.dwg
Sheet

CRL GRS 1202 SERIES SWINGING GLASS GATE SYSTEM

"W1" WALL MOUNTED GATE KIT



CRL GRS 1202 SERIES "TYPE W1" WALL MOUNT SWINGING GLASS GATE KIT

1/2" (12MM) TEMPERED GLASS (INCLUDED WITH KIT)

CRL 1202 "TYPE W1" STANDARD GATE KITS:

CAT. NO	FINISH	SIZE	FITS OPENING	CLEAR OPENING*
1202W142BS	BRUSHED S/S	36" X 42"	36" WIDTH	33-11/16" WIDTH
1202W142PS	POLISHED S/S	36" X 42"	36" WIDTH	33-11/16" WIDTH

(* WHEN GATE OPEN AT 90°)

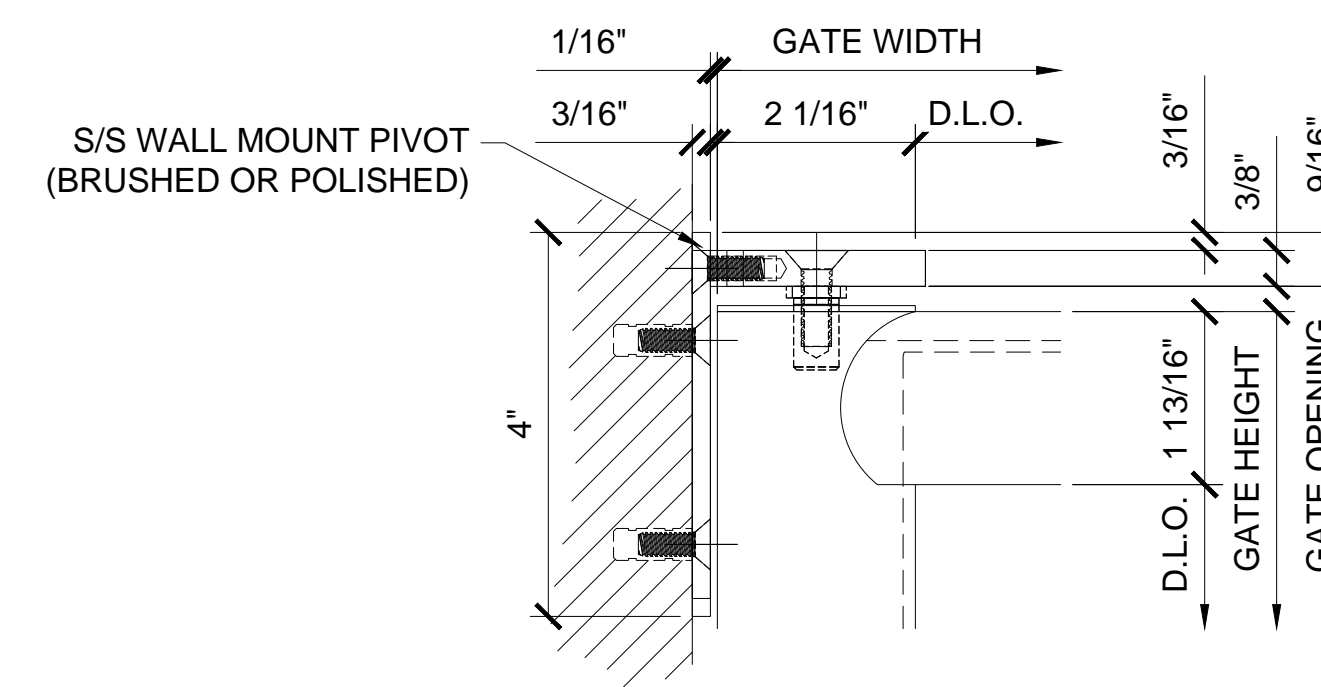
CRL 1202 "TYPE W1" CUSTOM GATE KITS:

CAT. NO	FINISH	SIZE
1202W1BSC	BRUSHED S/S	PER CUSTOMER SPECIFICATIONS
1202W1PSC	POLISHED S/S	PER CUSTOMER SPECIFICATIONS

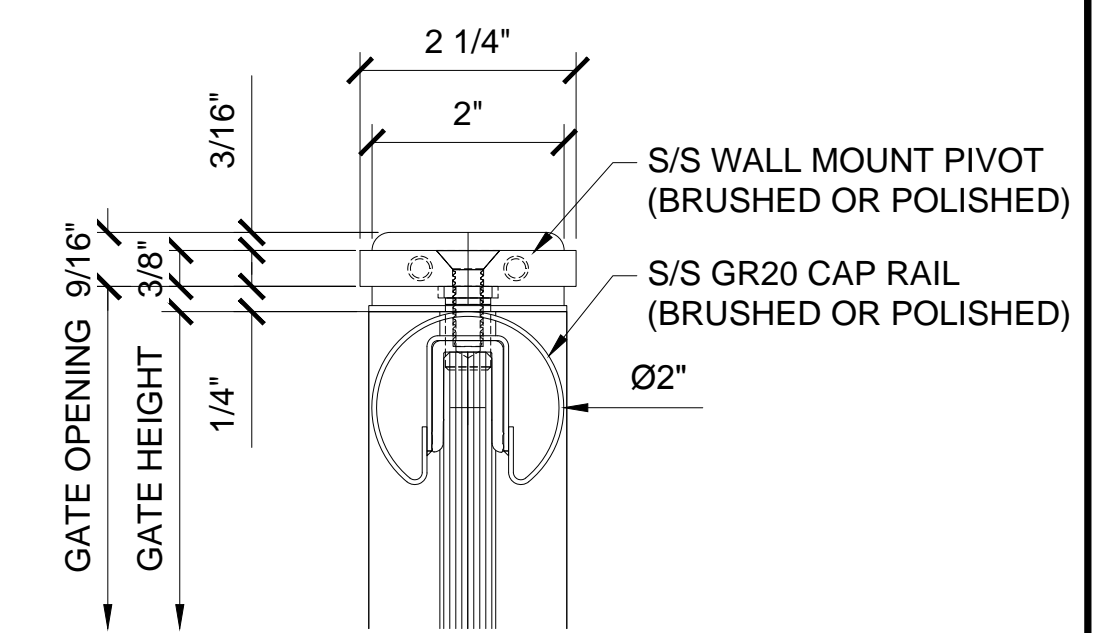
MAXIMUM RECOMMENDED GATE SIZE IS 40" X 72"

"TYPE W1" STANDARD GATE KIT INCLUDES:

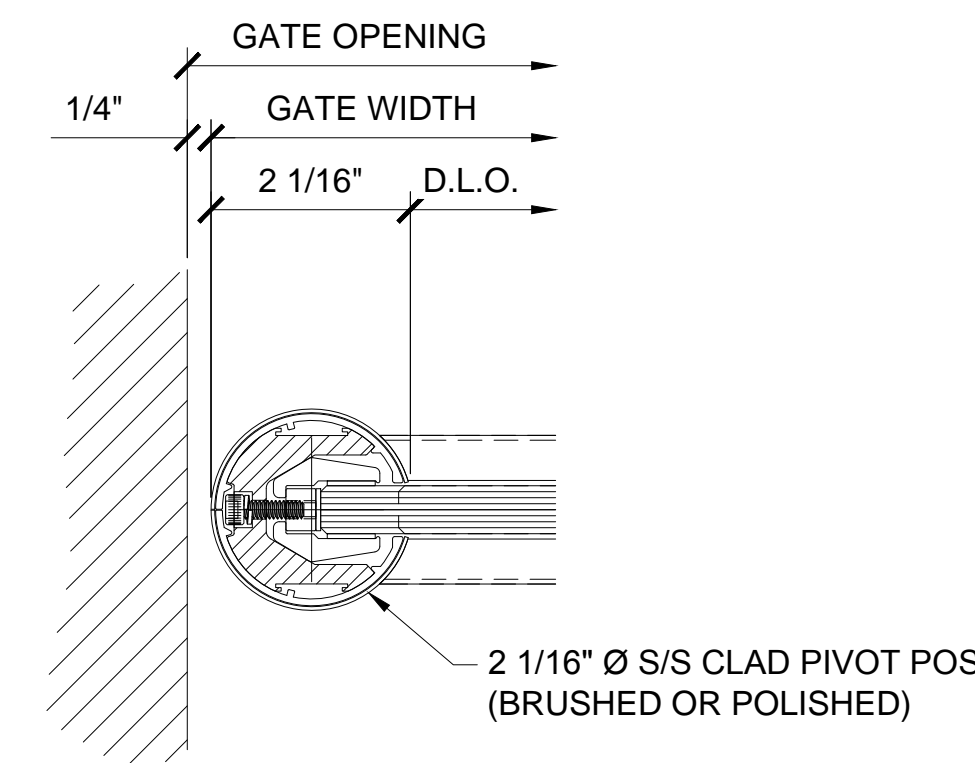
- (1) S/S WALL MOUNT GATE PIVOT BAR
- (1) 2 1/16" Ø S/S CLAD PIVOT POST W/ IN RAIL CLOSER AND FLOOR MOUNT RECEIVER
- (1) GR20 SERIES 2" Ø S/S CAP RAIL
- (1) S/S CLAD DR2S LOW PROFILE BOTTOM GATE RAIL (NO LOCK)
- (1) 1/2" (12MM) CLEAR TEMPERED GLASS



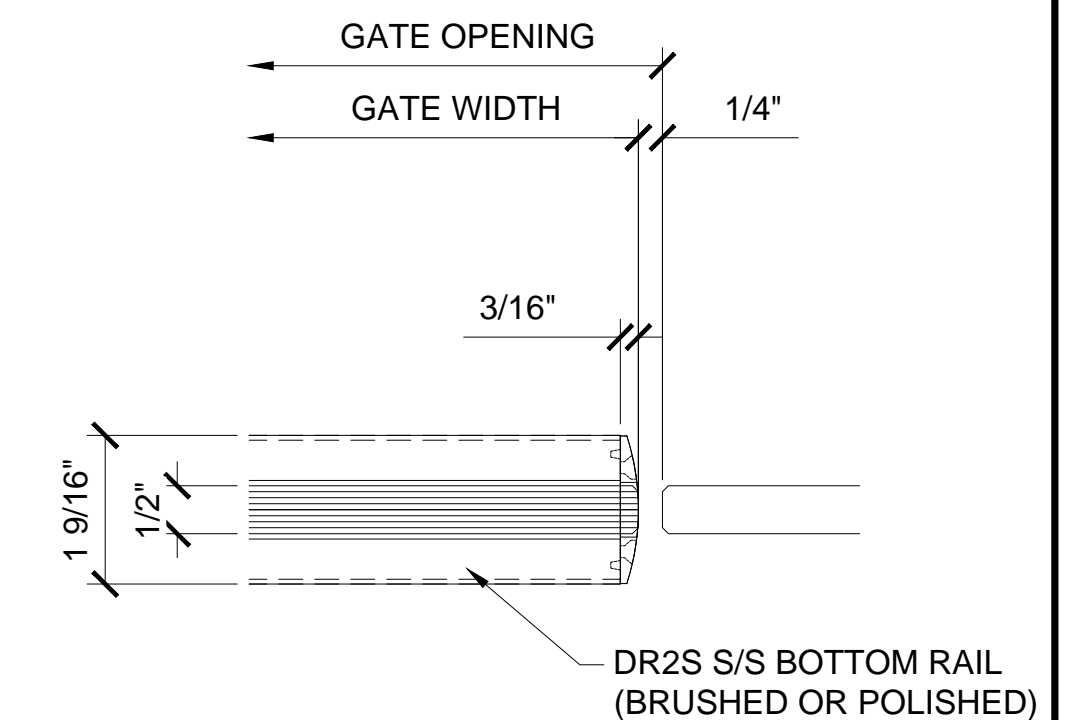
1 WALL MOUNT & PIVOT POST ELEVATION DETAIL
INCLUDED S/S WALL MOUNT PIVOT BRUSHED OR POLISHED FINISH



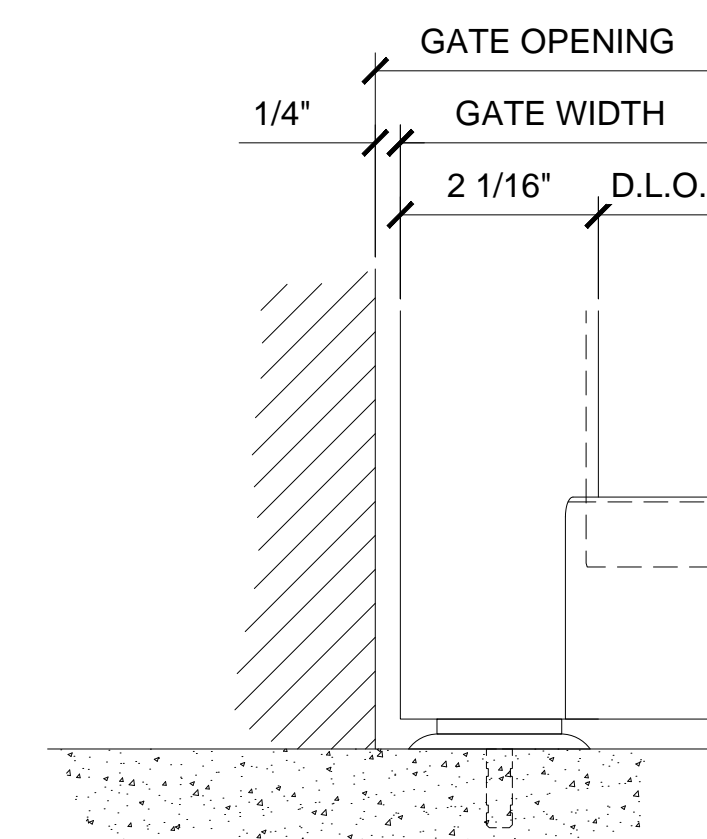
2 GRS20 2" Ø S/S CAP RAIL SECTION DETAIL
WALL MOUNT BRUSHED OR POLISHED S/S FINISH



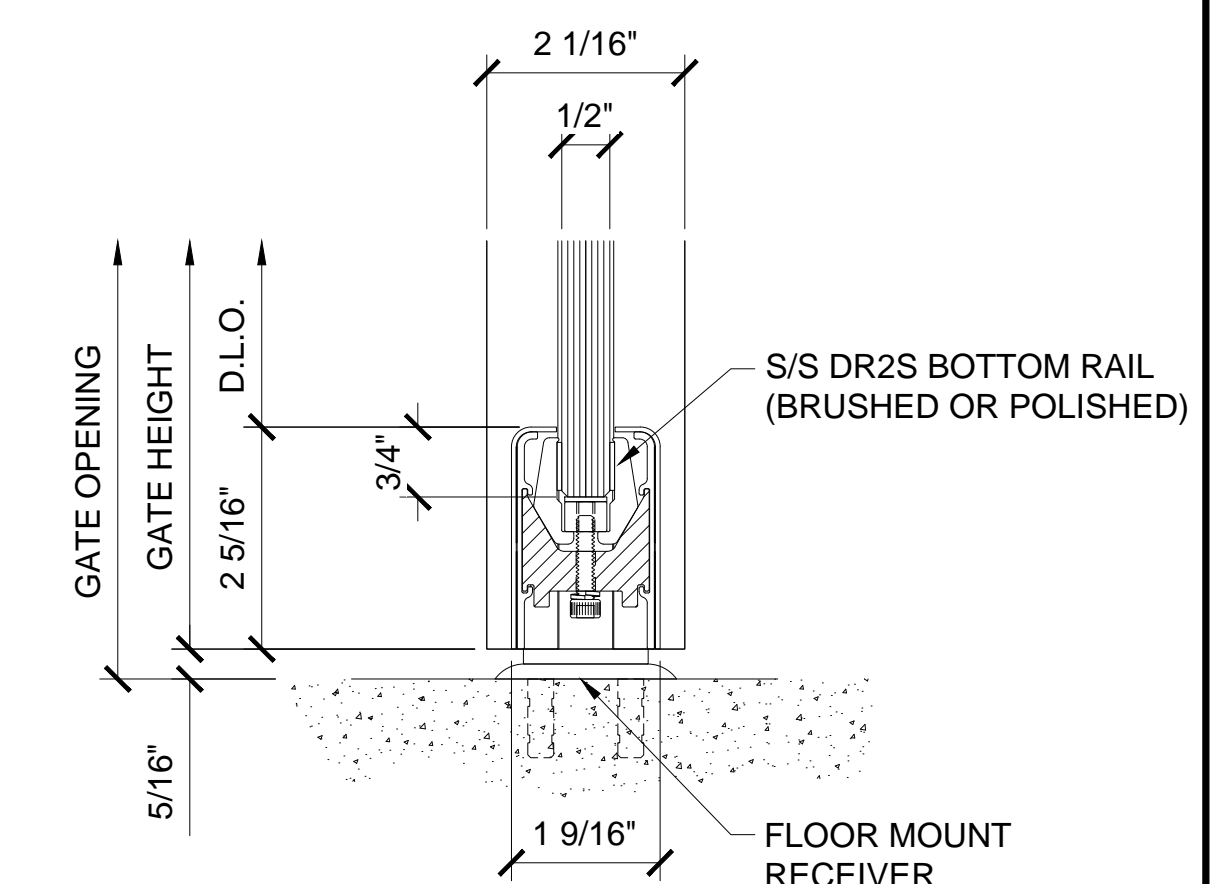
3 PIVOT POST SECTION DETAIL
2 1/16" Ø S/S PIVOT POST BRUSHED OR POLISHED FINISH



4 STRIKE SIDE SECTION DETAIL
1/2" (12MM) CLEAR TEMPERED GLASS



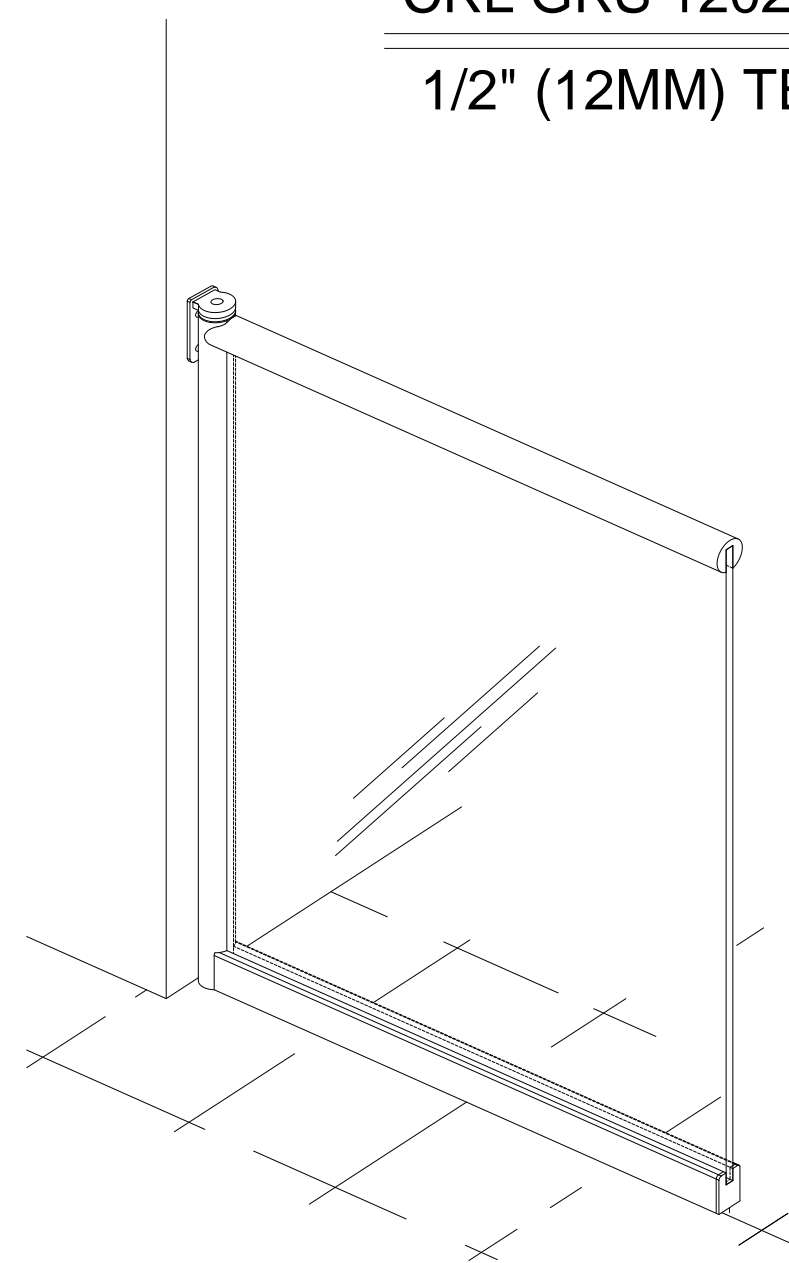
5 BOTTOM RAIL & PIVOT POST ELEVATION DETAIL
2 1/16" Ø S/S PIVOT POST BRUSHED OR POLISHED FINISH



6 LOW PROFILE BOTTOM RAIL SECTION DETAIL
DR2S "WEDGE-LOCK" / BRUSHED OR POLISHED S/S FINISH

- * BEAUTIFUL IN DESIGN AND FUNCTIONAL IN OPERATION
- * HEAVY DUTY GLASS GATE WITH GRS20 SERIES S/S CAP RAIL
- * DR2S SERIES LOW PROFILE BOTTOM RAIL WITH CRL "ALL GLASS" DOORS WEDGE-LOCK RAIL SYSTEM
- * OPTIONAL LOCKS AVAILABLE
-STANDARD KIT PROVIDED WITH NO LOCKS
- * UNIQUE CONCEALED CLOSING DEVICE LOCATED IN VERTICAL PIVOT POST
- * ROUND VERTICAL EDGE GATE PIVOT PREVENTS FINGER PINCH

- * DOUBLE ACTING, NO HOLD OPEN DESIGN
- * GATE CENTERING ADJUSTMENT PROVIDES 10 DEGREES OF ALIGNMENT
- * STAINLESS STEEL, BRUSHED OR POLISHED FINISHES
- * 1/2" (12MM) TEMPERED GLASS (INCLUDED WITH KITS)
- * CUSTOM MOUNTING OPTIONS AND SIZES ALSO AVAILABLE
- * STANDARD GATE KIT IS 36"(W) X 42" (H)
- * RECOMMENDED MAXIMUM GATE SIZE IS 40" (W) X 72" (H)



Revisions By:

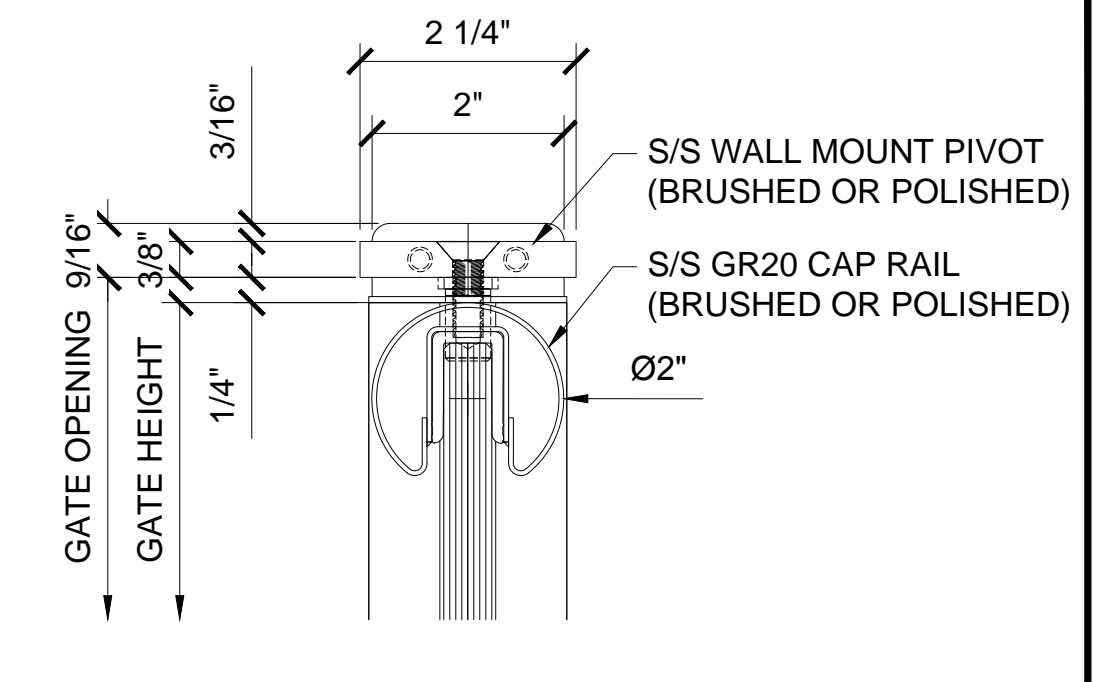
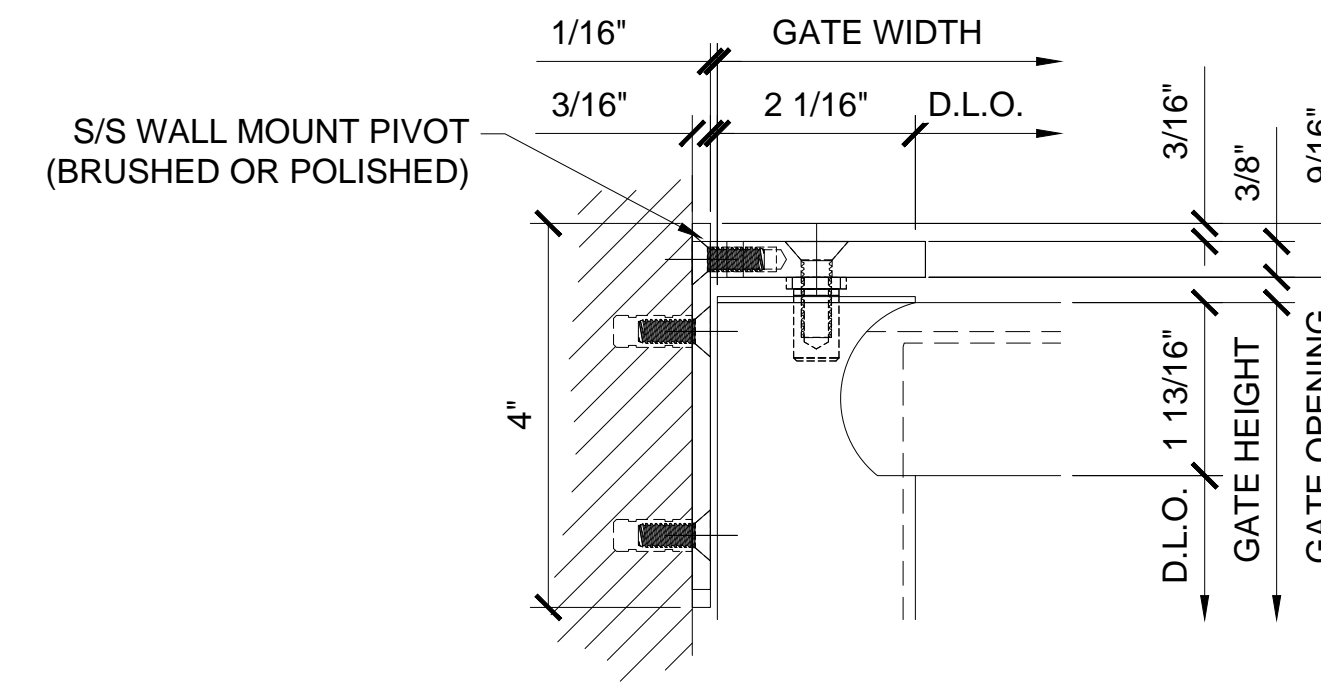
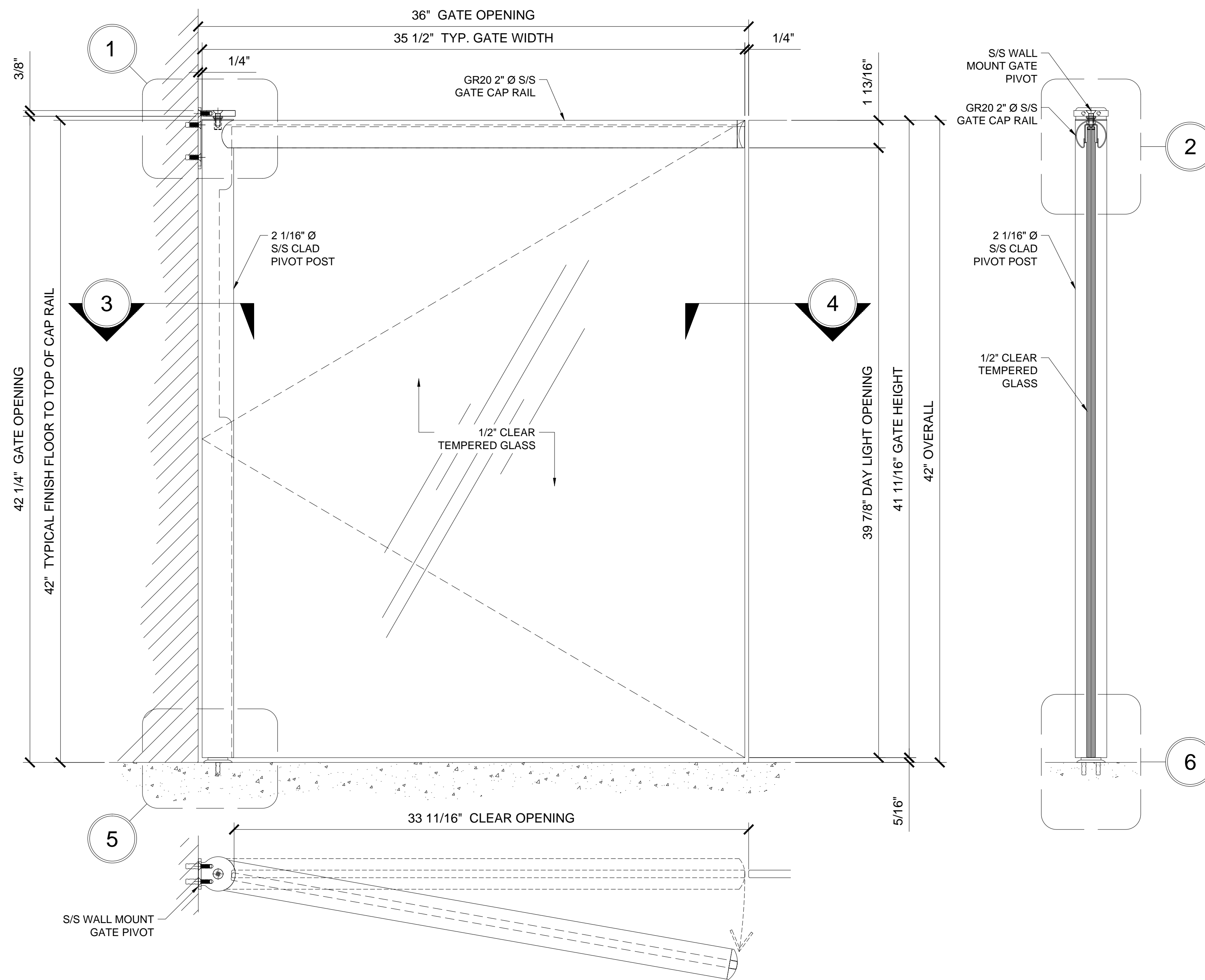
Discription:
CRL GRS 1202 SERIES
SWINGING GLASS
GATE SYSTEMS

Drawn By: VM
Date: 12/02/2013
Scale: NOT TO SCALE
File Name: CRL GRS 1202 GS.dwg
Sheet

W1

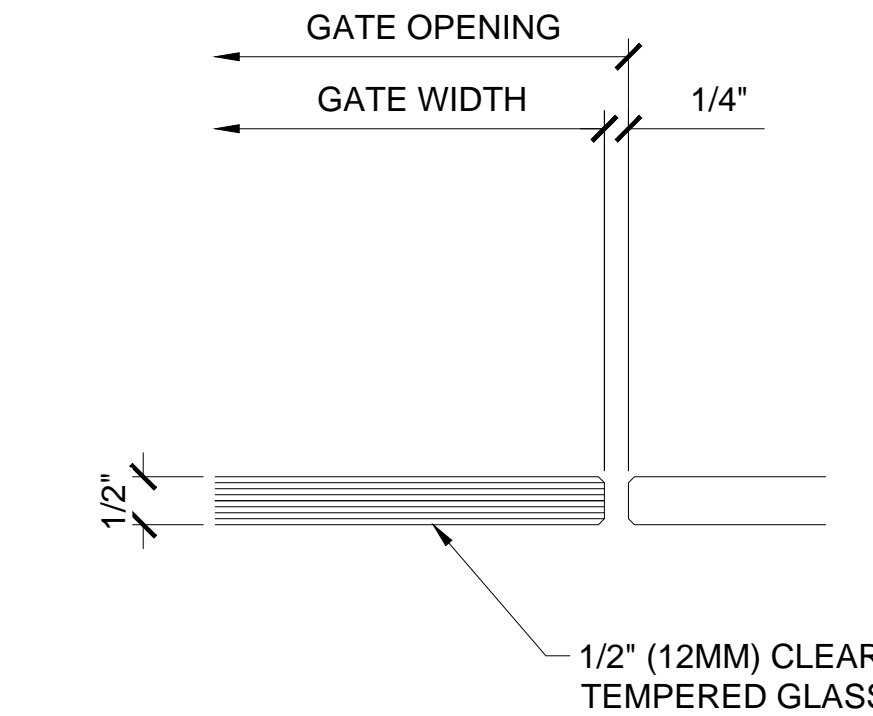
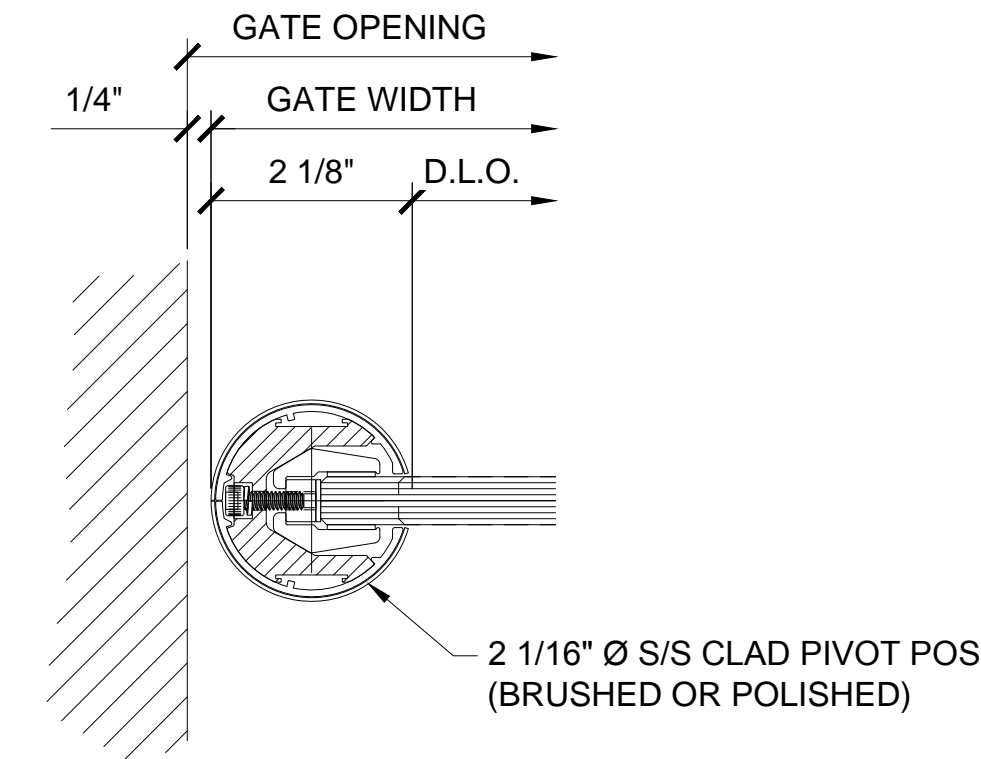
CRL GRS 1202 SERIES SWINGING GLASS GATE SYSTEM

"W2" WALL MOUNTED GATE KIT



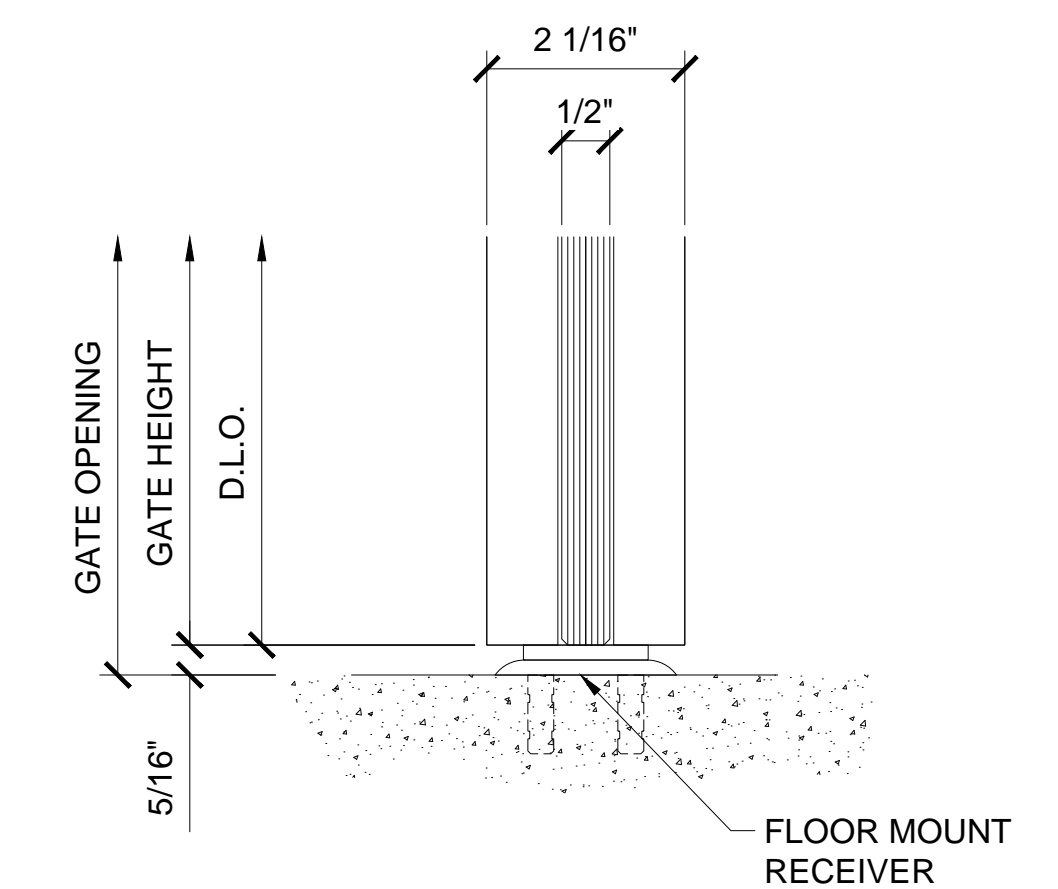
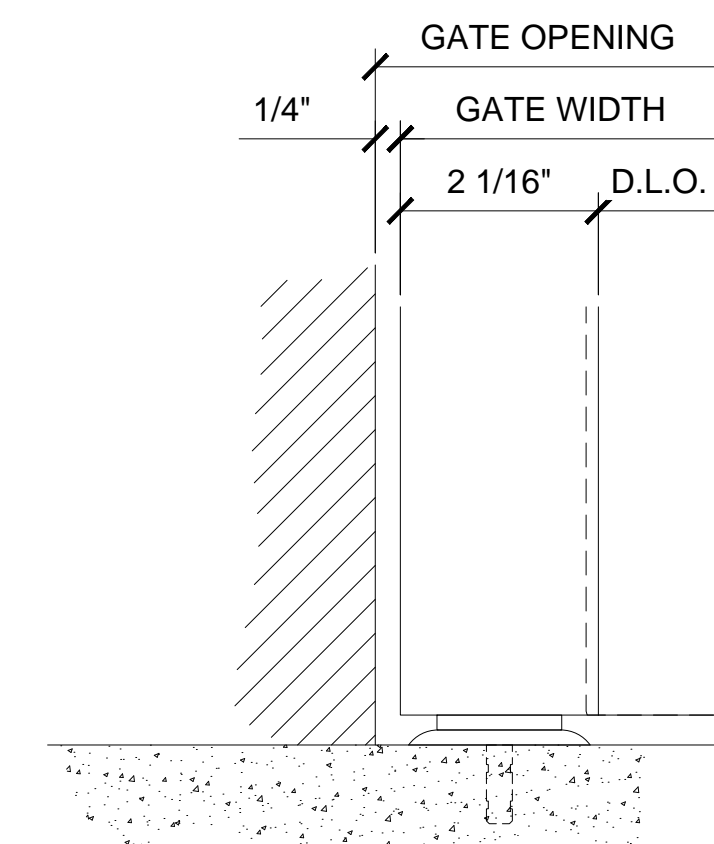
1 WALL MOUNT & PIVOT POST ELEVATION DETAIL
INCLUDED S/S WALL MOUNT PIVOT BRUSHED OR POLISHED FINISH

2 GRS20 2\"/>



3 PIVOT POST SECTION DETAIL
2 1/16\"/>

4 GLASS STRIKE SECTION DETAIL
1/2\"/>



5 BOTTOM GLASS & PIVOT POST ELEVATION DETAIL
2 1/16\"/>

6 BOTTOM GLASS GATE SECTION DETAIL
1/2\"/>

CRL GRS 1202 SERIES "TYPE W2" WALL MOUNT SWINGING GLASS GATE KIT

1/2" (12MM) TEMPERED GLASS (INCLUDED WITH KIT)

CRL 1202 "TYPE W2" STANDARD GATE KITS:

CAT. NO	FINISH	SIZE	FITS OPENING	CLEAR OPENING*
1202W242BS	BRUSHED S/S	36" X 42"	36" WIDTH	33-11/16" WIDTH
1202W242PS	POLISHED S/S	36" X 42"	36" WIDTH	33-11/16" WIDTH

(* WHEN GATE OPEN AT 90°)

CRL 1202 "TYPE W2" CUSTOM GATE KITS:

CAT. NO	FINISH	SIZE
1202W2BSC	BRUSHED S/S	PER CUSTOMER SPECIFICATIONS
1202W2PSC	POLISHED S/S	PER CUSTOMER SPECIFICATIONS

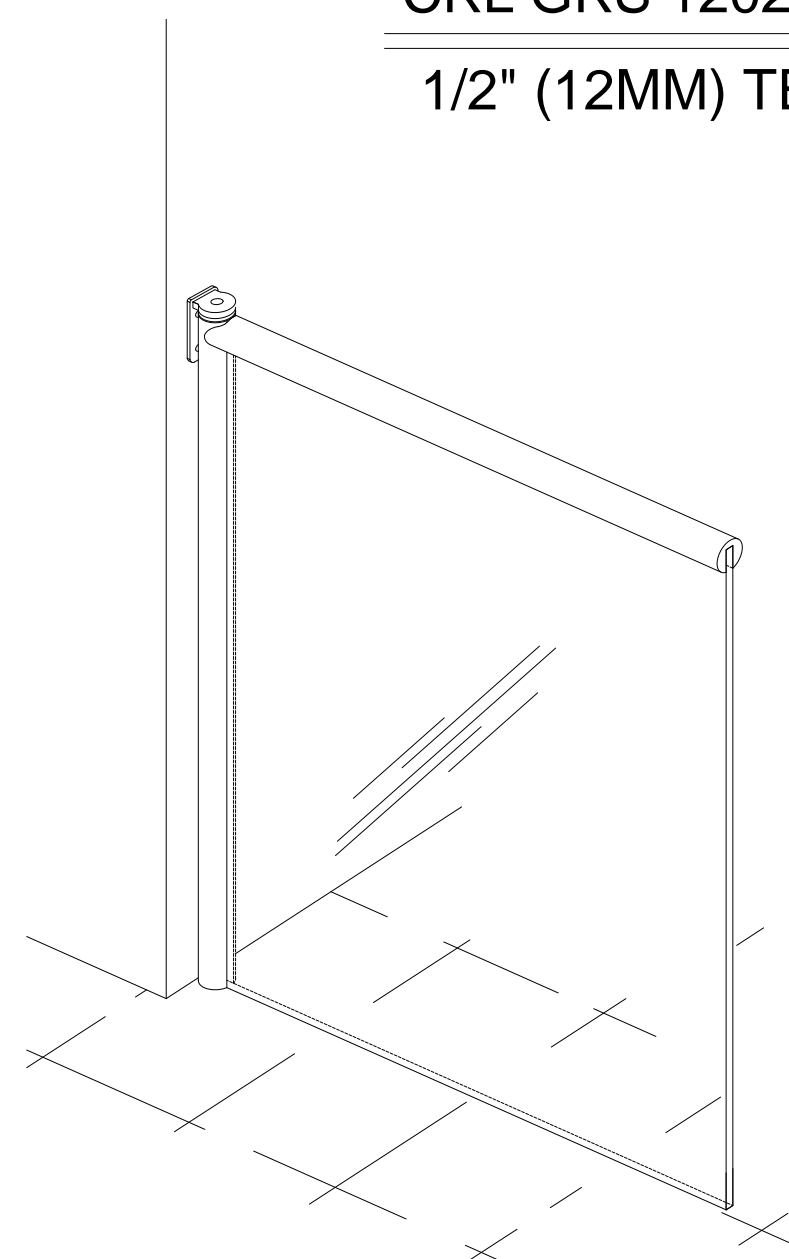
MAXIMUM RECOMMENDED GATE SIZE IS 40" X 72"

"TYPE W2" STANDARD GATE KIT INCLUDES:

- (1) S/S WALL MOUNT GATE PIVOT BAR
- (1) 2 1/16" Ø S/S CLAD PIVOT POST W/ IN RAIL CLOSER AND FLOOR MOUNT RECEIVER
- (1) GR20 SERIES 2" Ø S/S CAP RAIL
- (1) 1/2" (12MM) CLEAR TEMPERED GLASS

- * BEAUTIFUL IN DESIGN AND FUNCTIONAL IN OPERATION
- * HEAVY DUTY GLASS GATE WITH GRS20 SERIES S/S CAP RAIL
- * UNIQUE CONCEALED CLOSING DEVICE LOCATED IN VERTICAL PIVOT POST
- * ROUND VERTICAL EDGE GATE PIVOT PREVENTS FINGER PINCH

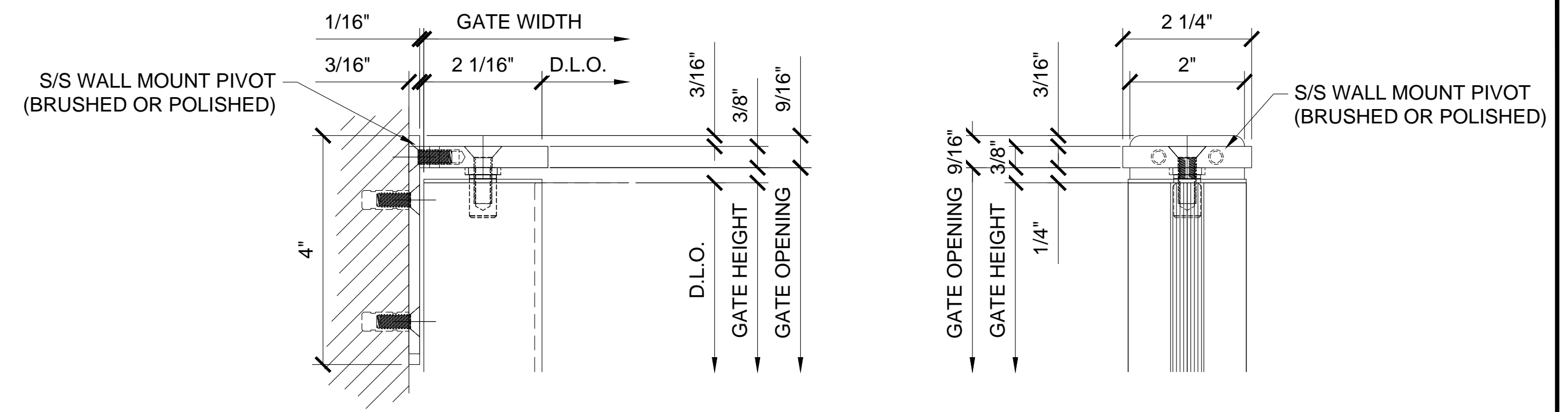
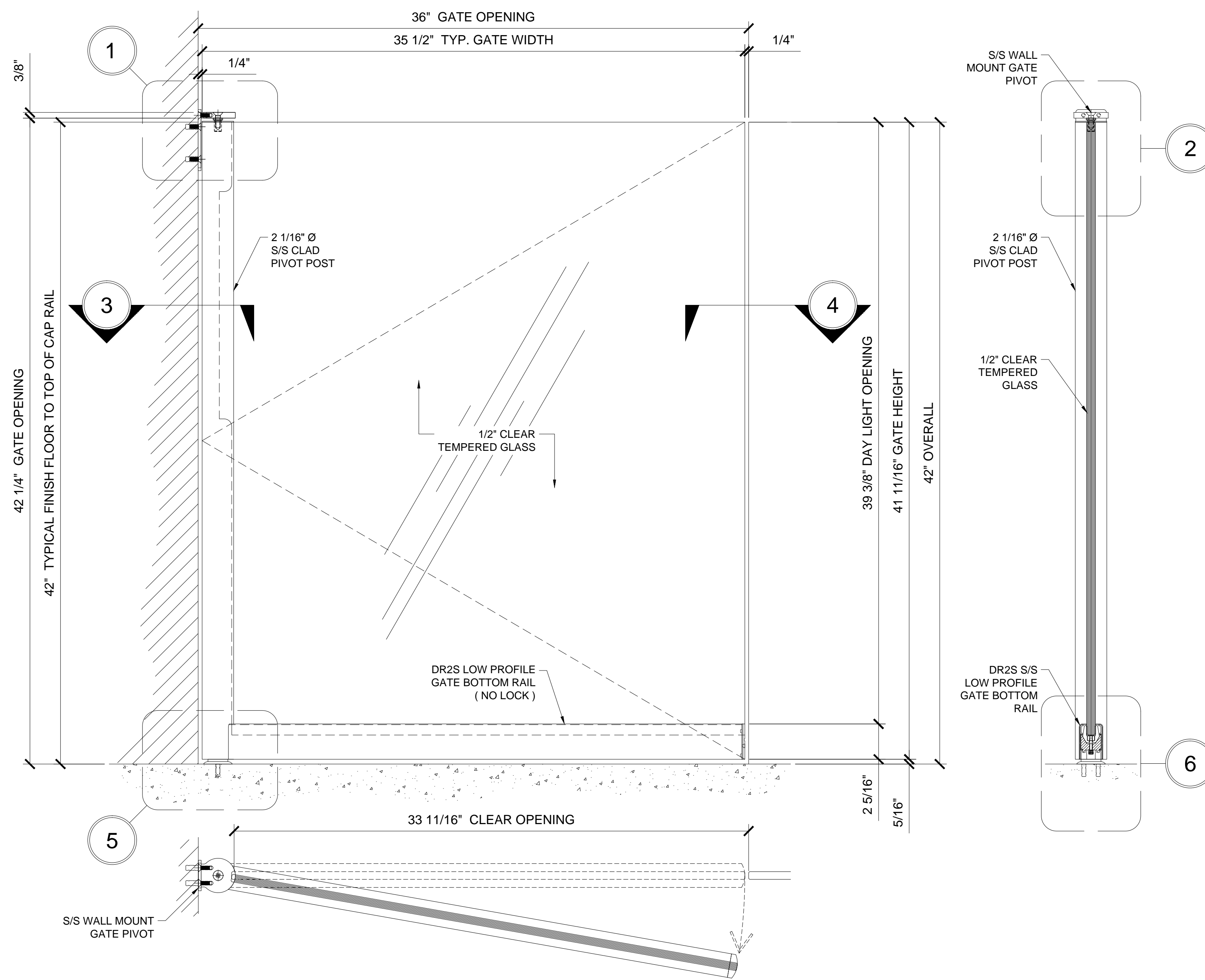
- * DOUBLE ACTING, NO HOLD OPEN DESIGN
- * GATE CENTERING ADJUSTMENT PROVIDES 10 DEGREES OF ALIGNMENT
- * STAINLESS STEEL , BRUSHED OR POLISHED FINISHES
- * 1/2" (12MM) TEMPERED GLASS (INCLUDED WITH KIT)
- * CUSTOM MOUNTING OPTIONS AND SIZES ALSO AVAILABLE
- * STANDARD GATE KIT IS 36"(W) X 42" (H)
- * RECOMMENDED MAXIMUM GATE SIZE IS 40" (W) X 72" (H)



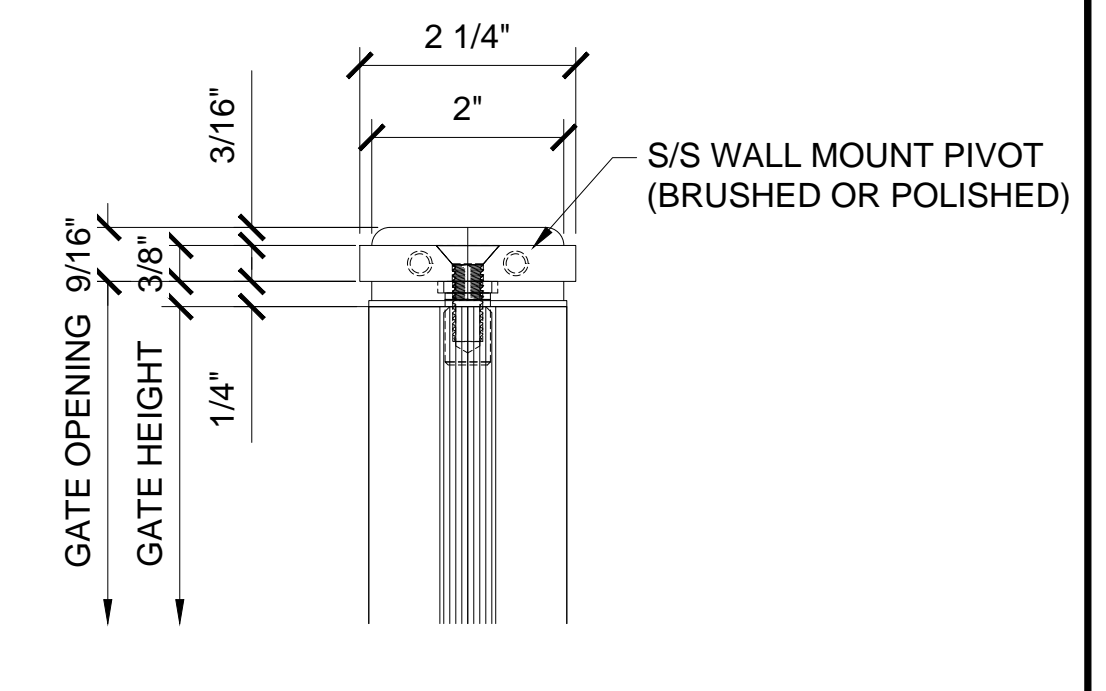
Revisions By:

CRL GRS 1202 SERIES SWINGING GLASS GATE SYSTEM

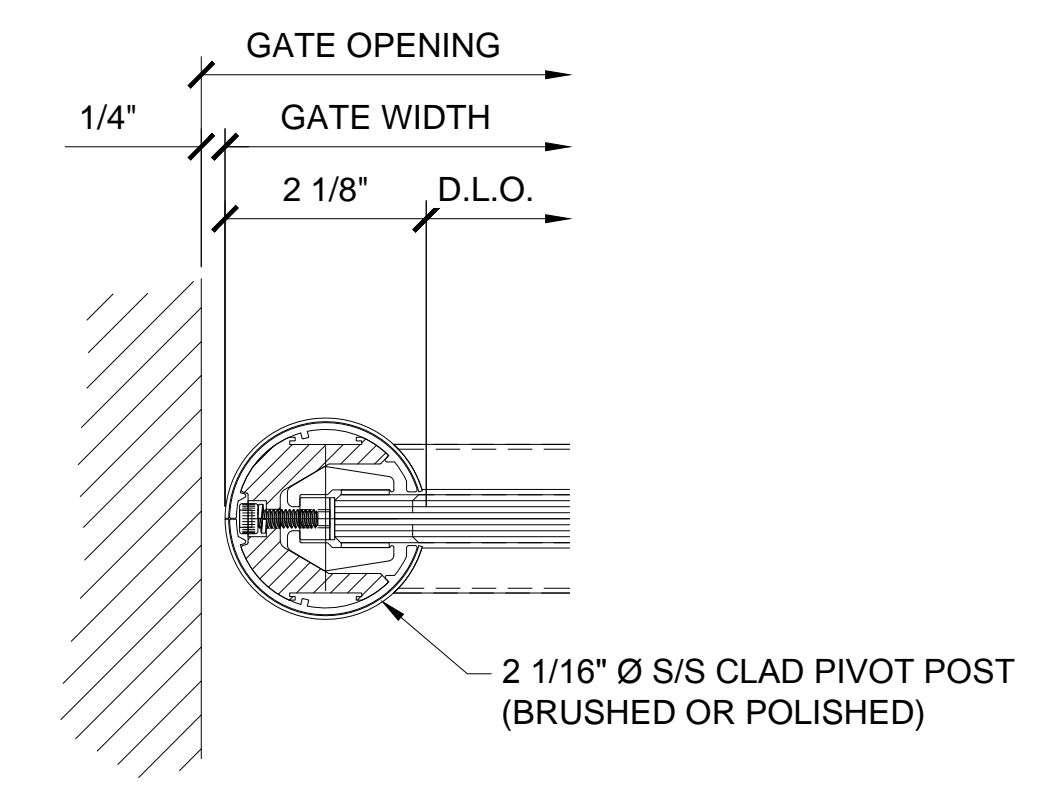
"W3" WALL MOUNTED GATE KIT



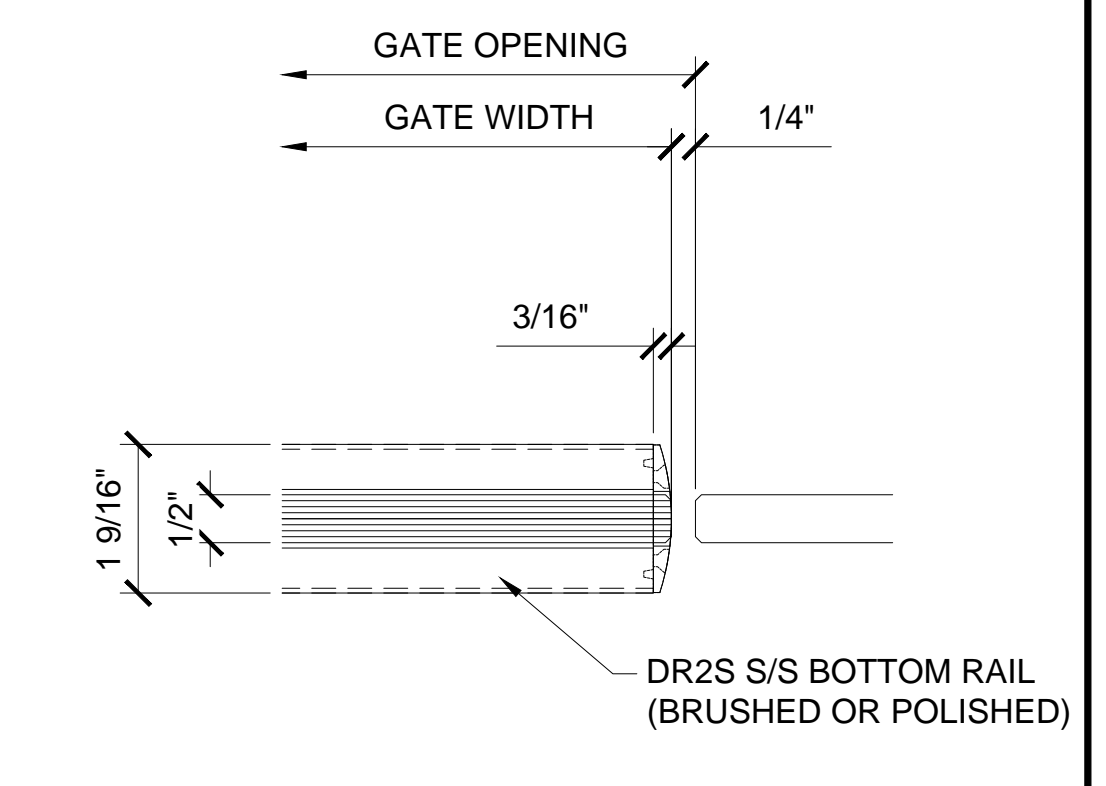
1 WALL MOUNT & PIVOT POST ELEVATION DETAIL
INCLUDED S/S WALL MOUNT PIVOT BRUSHED OR POLISHED FINISH



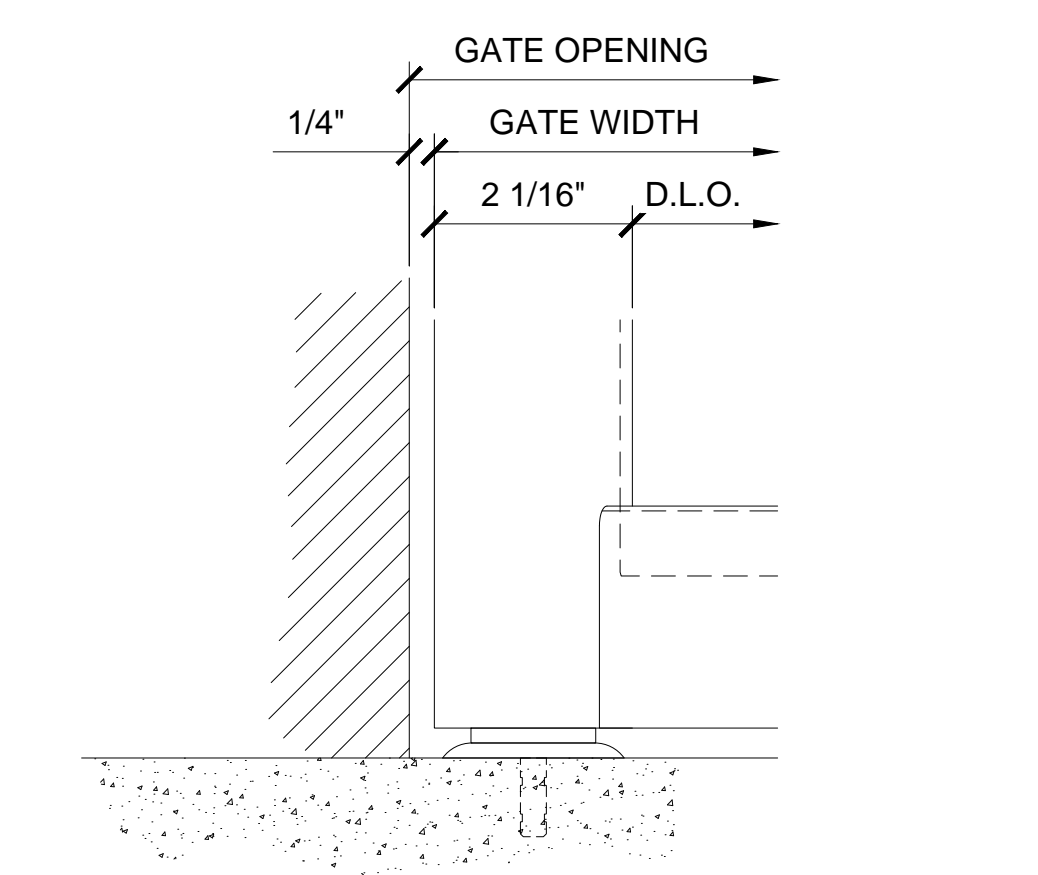
2 GLASS GATE TOP SECTION DETAIL
1/2" (12MM) CLEAR TEMPERED GLASS / WALL MOUNT



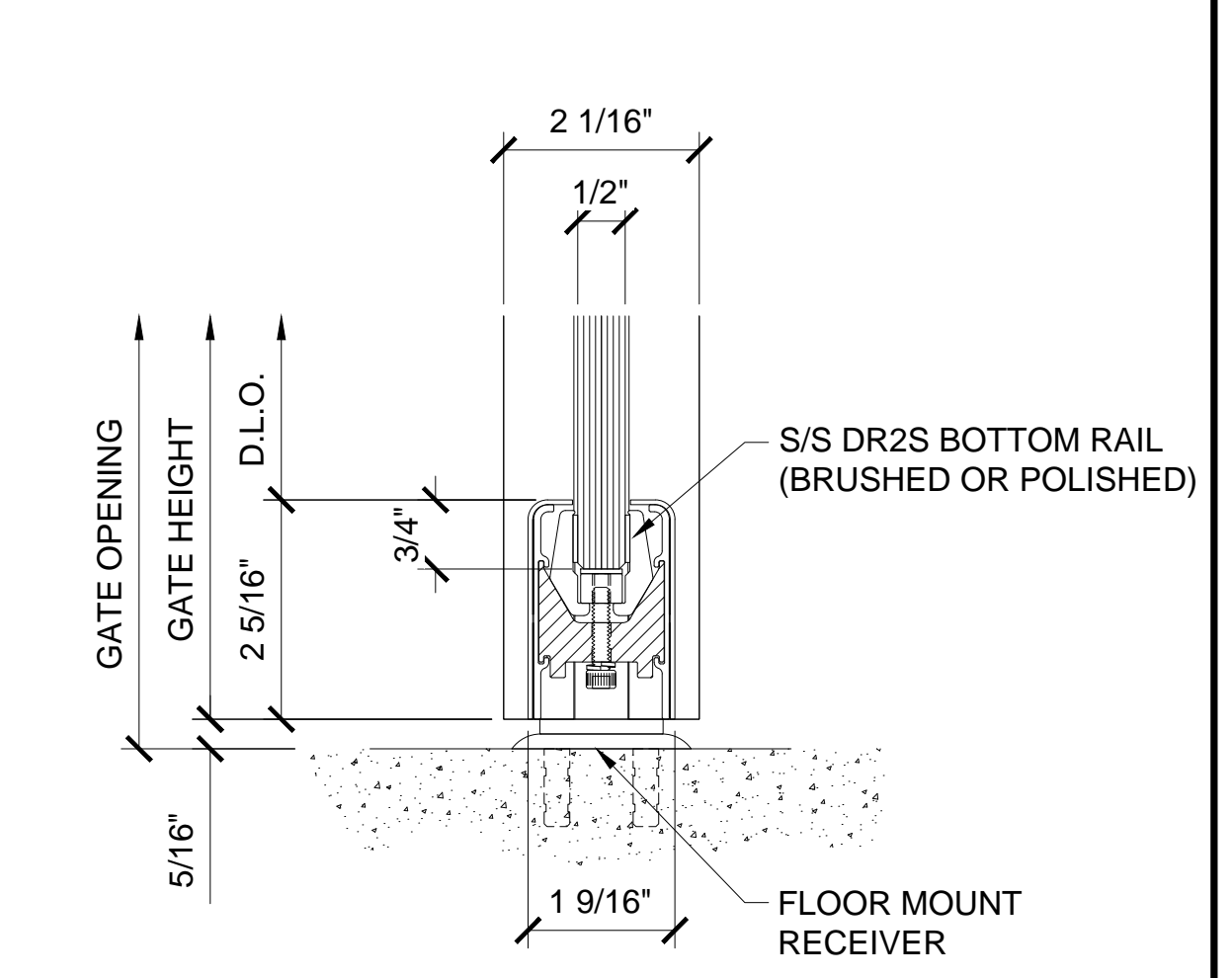
3 PIVOT POST SECTION DETAIL
2 1/16" Ø S/S PIVOT POST BRUSHED OR POLISHED FINISH



4 STRIKE SIDE SECTION DETAIL
DR2S BRUSHED OR POLISHED S/S FINISH



5 BOTTOM RAIL & PIVOT POST ELEVATION DETAIL
2 1/16" Ø S/S PIVOT POST BRUSHED OR POLISHED FINISH



6 LOW PROFILE BOTTOM RAIL SECTION DETAIL
DR2S "WEDGE-LOCK" / BRUSHED OR POLISHED S/S FINISH

CRL GRS 1202 SERIES "TYPE W3" WALL MOUNT SWINGING GLASS GATE KIT

1/2" (12MM) TEMPEERED GLASS (INCLUDED WITH KIT)

CRL 1202 "TYPE W3" STANDARD GATE KITS:

CAT. NO	FINISH	SIZE	FITS OPENING	CLEAR OPENING*
1202W342BS	BRUSHED S/S	36" X 42"	36" WIDTH	33-11/16" WIDTH
1202W342PS	POLISHED S/S	36" X 42"	36" WIDTH	33-11/16" WIDTH

(* WHEN GATE OPEN AT 90°)

CRL 1202 "TYPE W3" CUSTOM GATE KITS:

CAT. NO	FINISH	SIZE
1202W3BSC	BRUSHED S/S	PER CUSTOMER SPECIFICATIONS
1202W3PSC	POLISHED S/S	PER CUSTOMER SPECIFICATIONS

MAXIMUM RECOMMENDED GATE SIZE IS 40" X 72"

"TYPE W3" STANDARD GATE KIT INCLUDES:

- (1) S/S WALL MOUNT GATE PIVOT BAR
- (1) 2 1/16" Ø S/S CLAD PIVOT POST W/ IN RAIL CLOSER AND FLOOR MOUNT RECEIVER
- (1) S/S CLAD DR2S LOW PROFILE BOTTOM GATE RAIL (NO LOCK)
- (1) 1/2" (12MM) CLEAR TEMPERED GLASS

* BEAUTIFUL IN DESIGN AND FUNCTIONAL IN OPERATION

* DR2S SERIES LOW PROFILE BOTTOM RAIL WITH CRL "ALL GLASS" DOORS WEDGE-LOCK RAIL SYSTEM

* OPTIONAL LOCKS AVAILABLE
-STANDARD KIT PROVIDED WITH NO LOCKS

* UNIQUE CONCEALED CLOSING DEVICE LOCATED IN VERTICAL PIVOT POST

* ROUND VERTICAL EDGE GATE PIVOT PREVENTS FINGER PINCH

* DOUBLE ACTING, NO HOLD OPEN DESIGN

* GATE CENTERING ADJUSTMENT PROVIDES 10 DEGREES OF ALIGNMENT

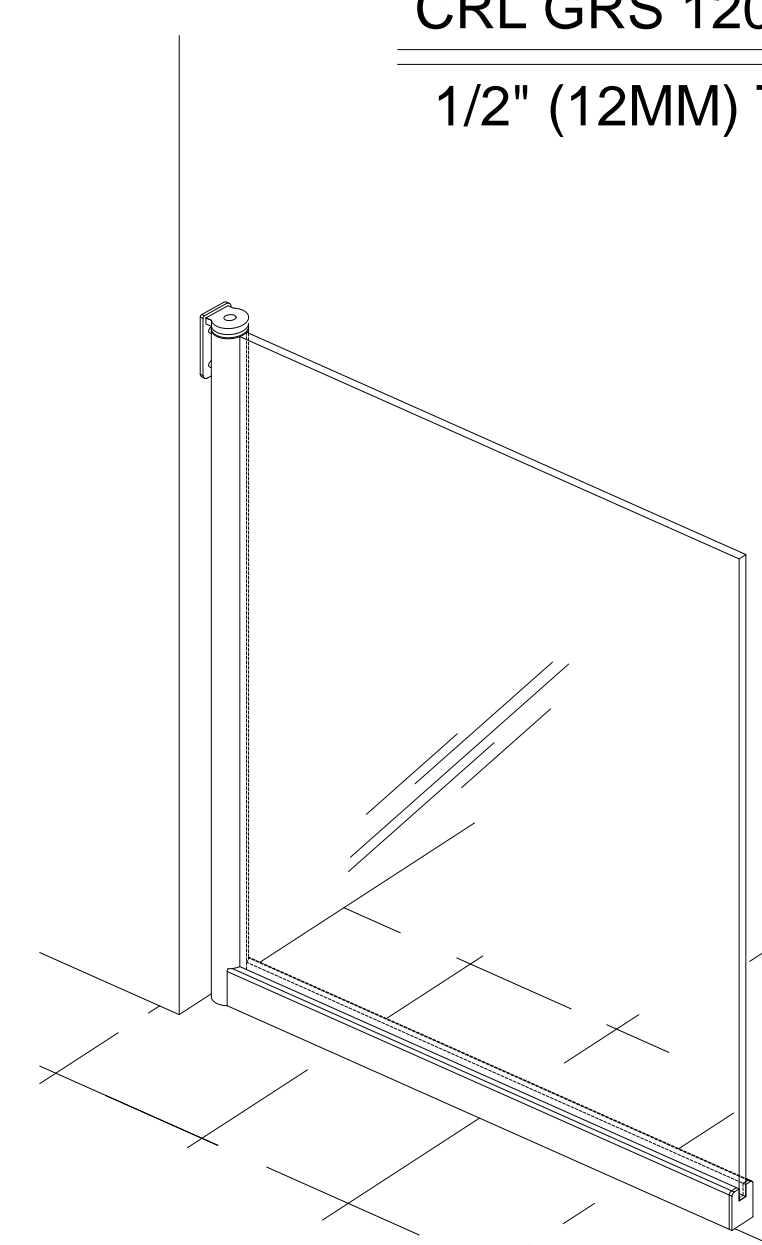
* STAINLESS STEEL , BRUSHED OR POLISHED FINISHES

* 1/2" (12MM) TEMPERED GLASS (INCLUDED WITH KITS)

* CUSTOM MOUNTING OPTIONS AND SIZES ALSO AVAILABLE

* STANDARD GATE KIT IS 36"(W) X 42" (H)

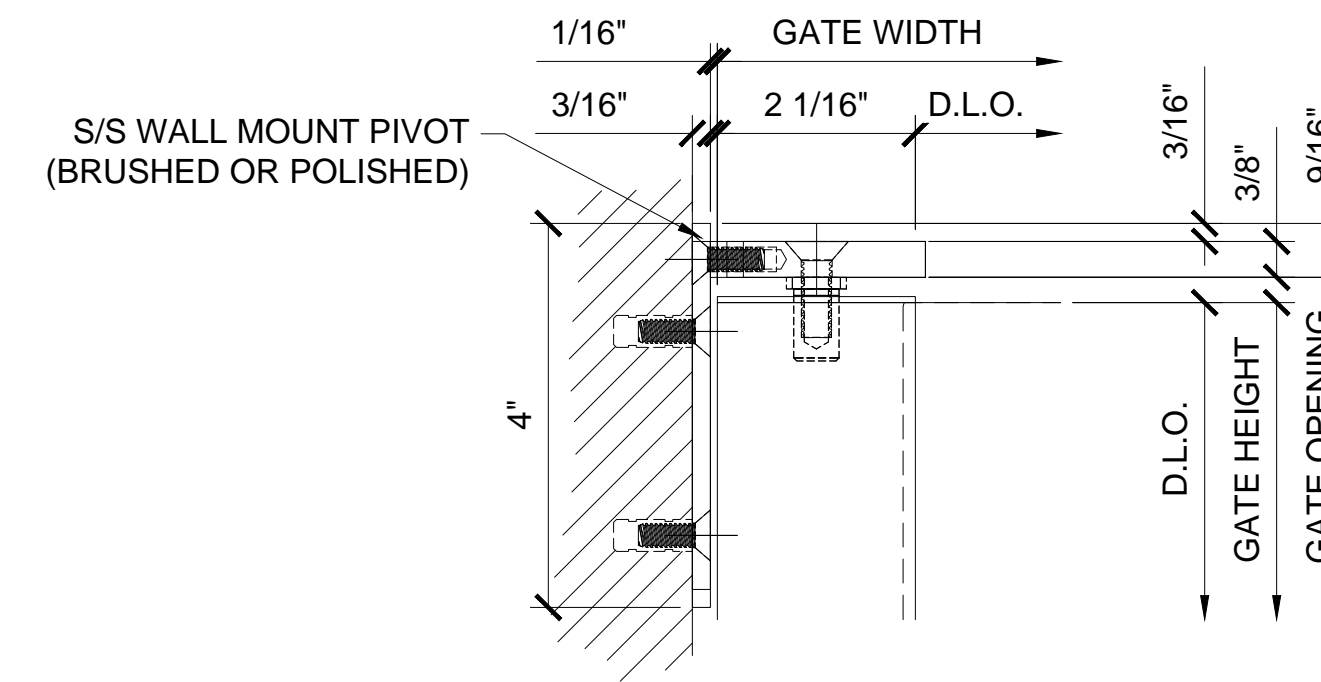
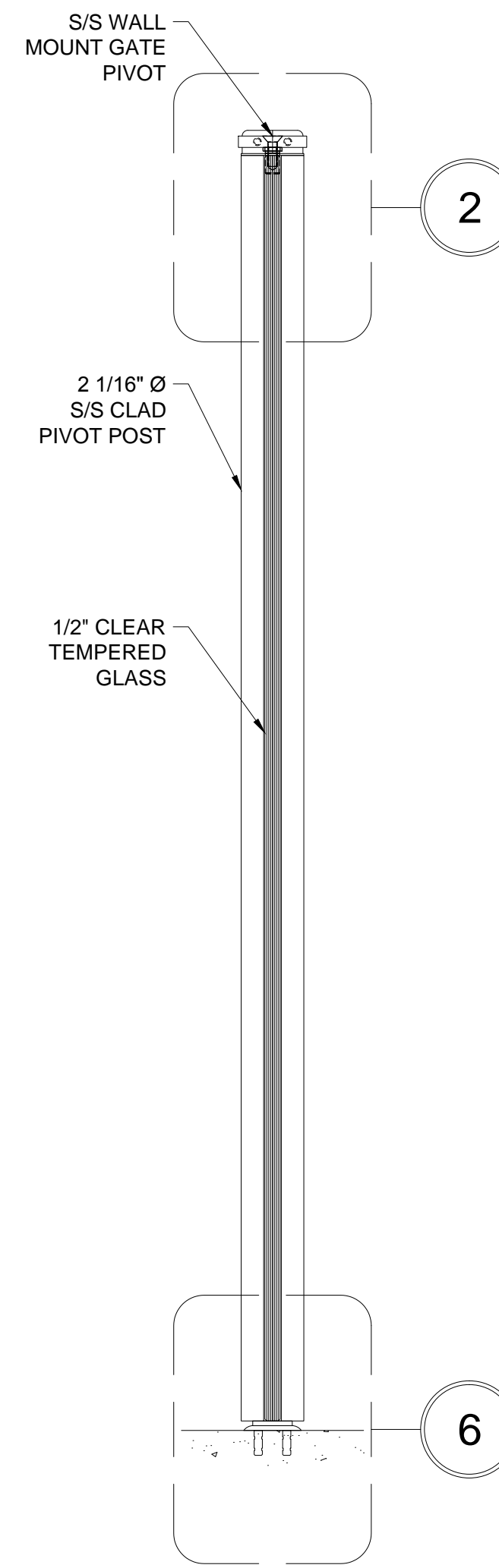
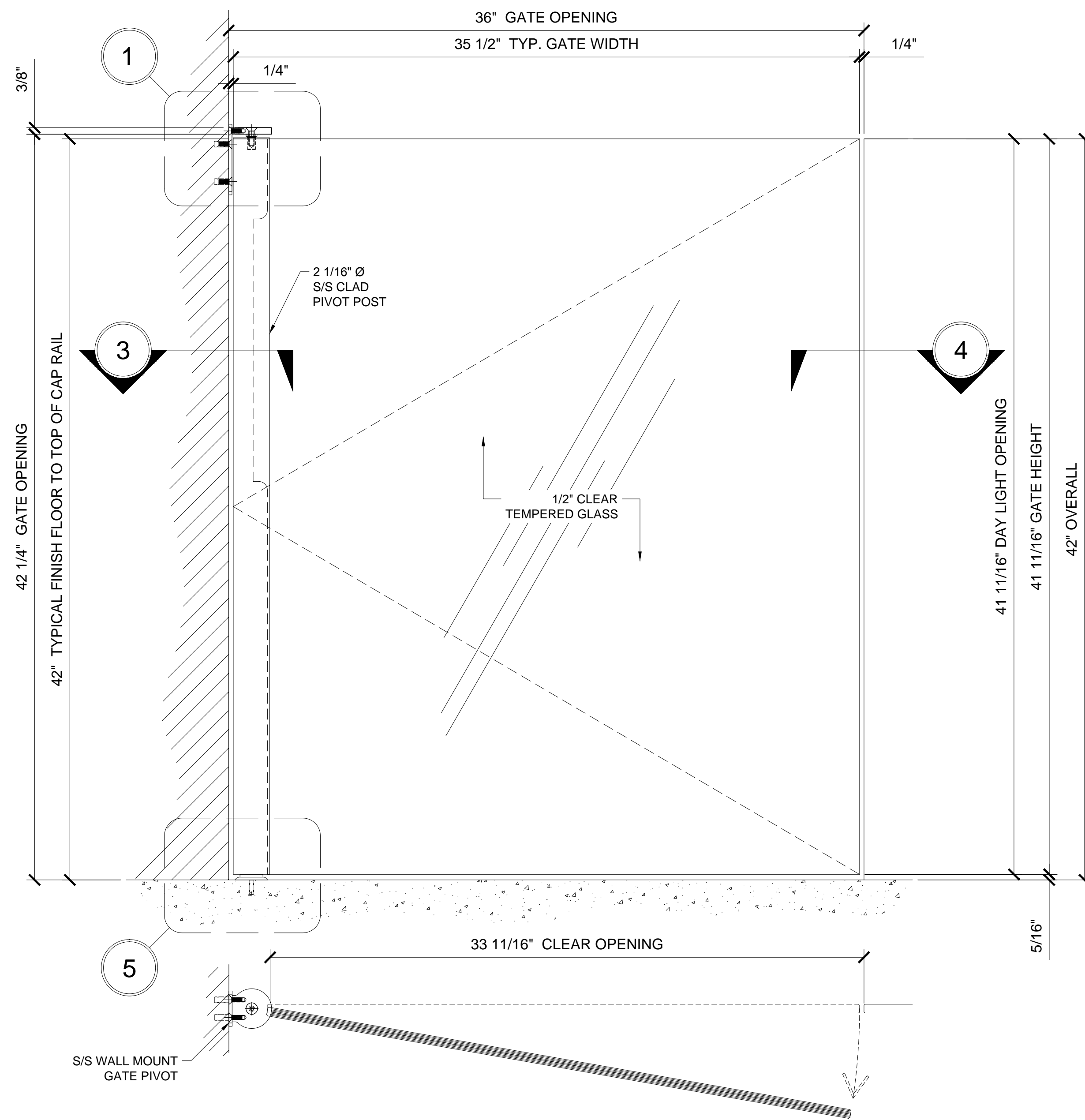
*RECOMMENDED MAXIMUM GATE SIZE IS 40" (W) X 72" (H)



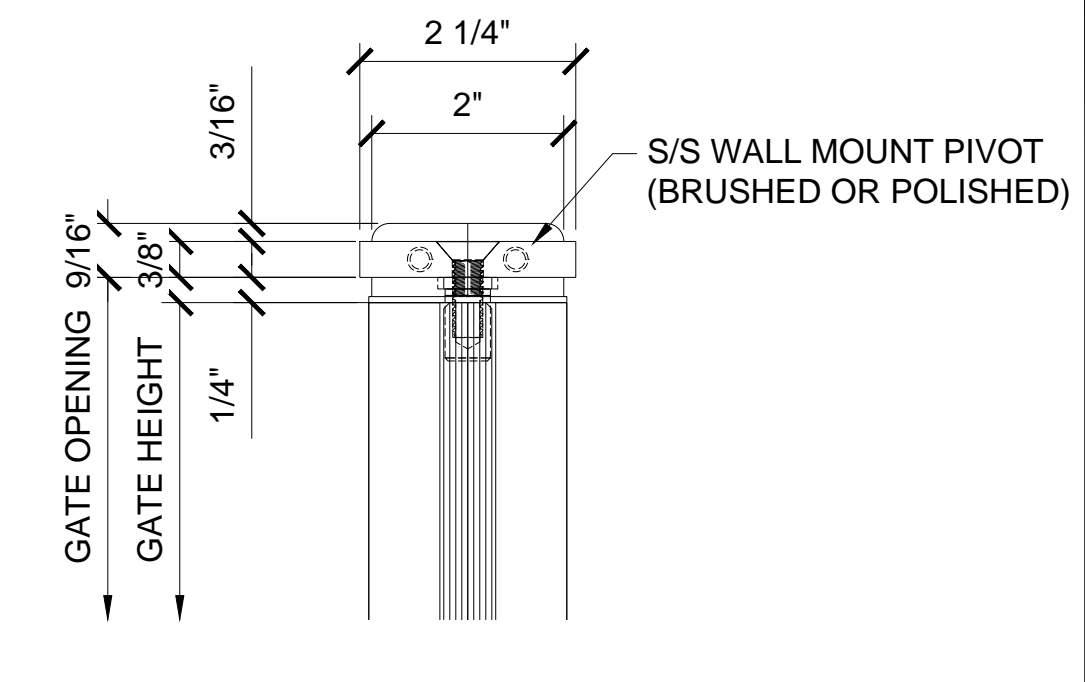
Revisions By:

CRL GRS 1202 SERIES SWINGING GLASS GATE SYSTEM

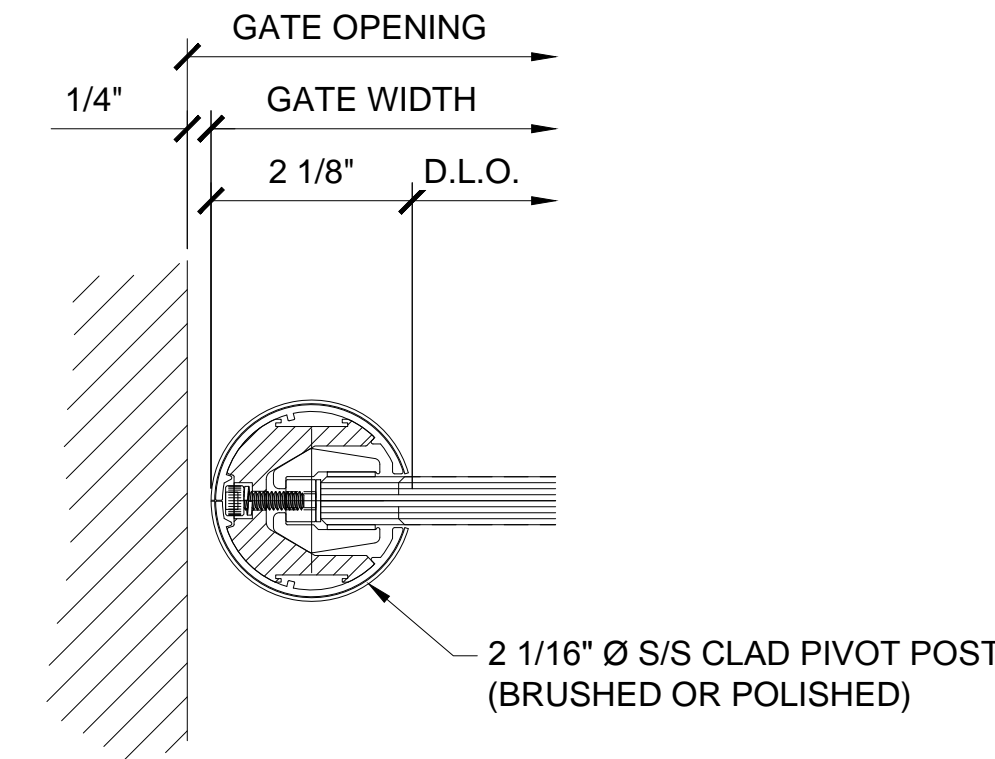
"W4" WALL MOUNTED GATE KIT



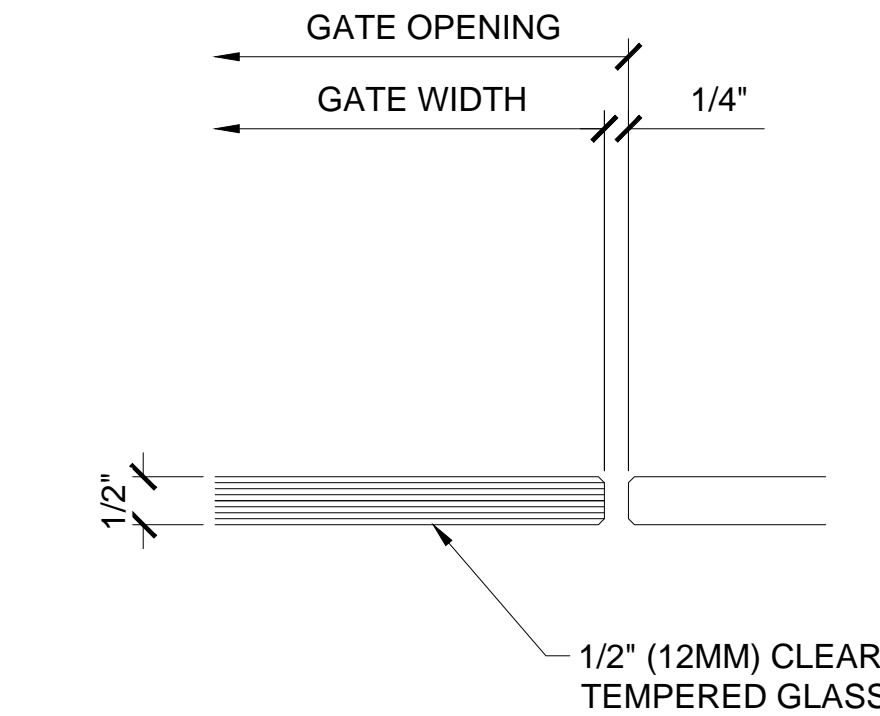
1 WALL MOUNT & PIVOT POST ELEVATION DETAIL
INCLUDED S/S WALL MOUNT PIVOT BRUSHED OR POLISHED FINISH



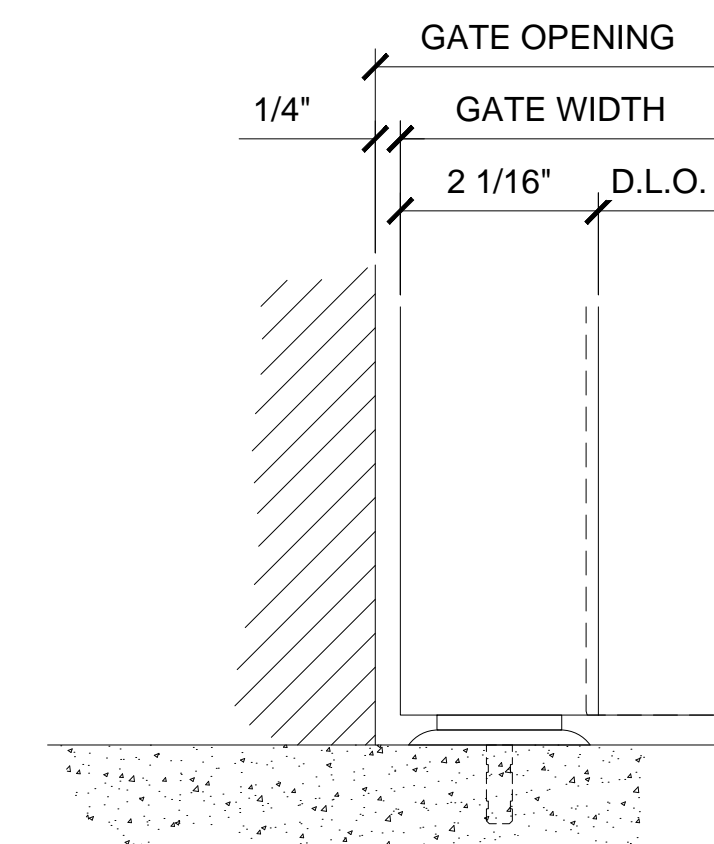
2 GLASS GATE TOP SECTION DETAIL
1/2" (12MM) CLEAR TEMPERED GLASS / WALL MOUNT



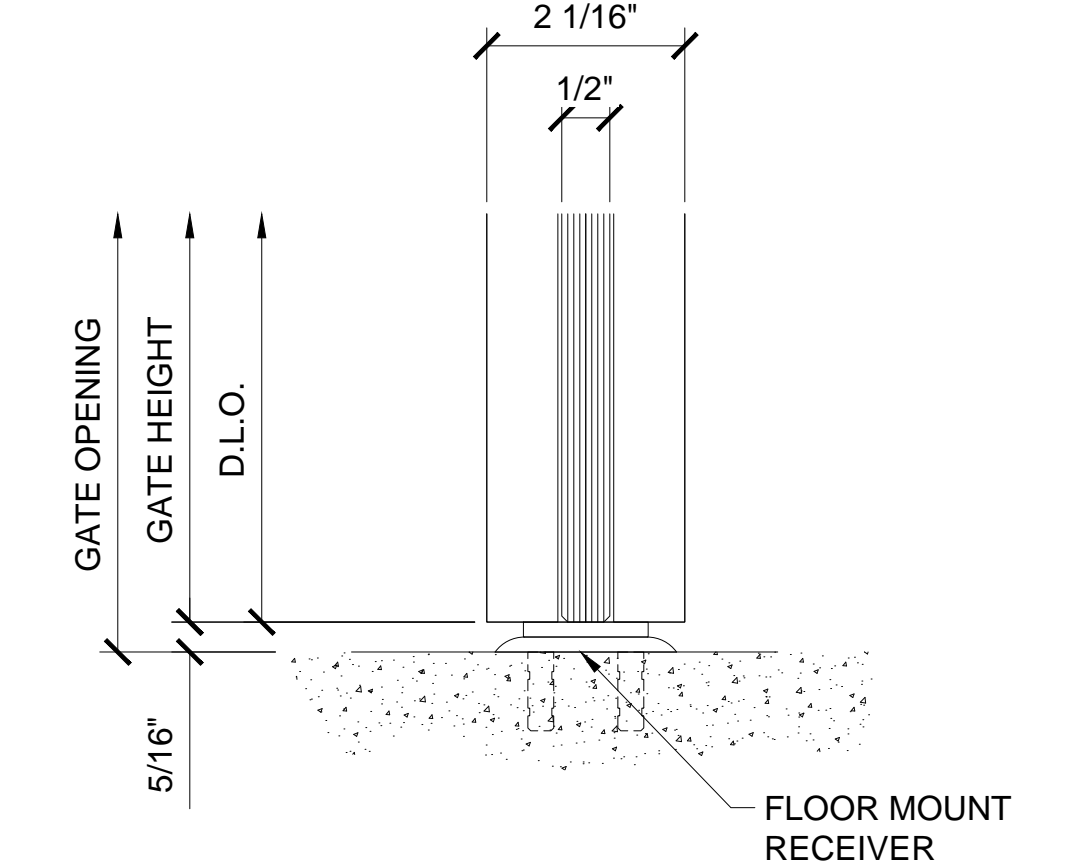
3 POST SECTION DETAIL
2 1/16" Ø S/S PIVOT POST BRUSHED OR POLISHED FINISH



4 GLASS STRIKE SECTION DETAIL
1/2" (12MM) CLEAR TEMPERED GLASS



5 BOTTOM GLASS & PIVOT POST ELEVATION DETAIL
2 1/16" Ø S/S PIVOT POST BRUSHED OR POLISHED FINISH



6 BOTTOM GLASS GATE SECTION DETAIL
1/2" (12MM) CLEAR TEMPERED GLASS

CRL GRS 1202 SERIES "TYPE W4" WALL MOUNT SWINGING GLASS GATE KIT

1/2" (12MM) TEMPEERED GLASS (INCLUDED WITH KIT)

CRL 1202 "TYPE W4" STANDARD GATE KITS:

CAT. NO	FINISH	SIZE	FITS OPENING	CLEAR OPENING*
1202W442BS	BRUSHED S/S	36" X 42"	36" WIDTH	33-11/16" WIDTH
1202W442PS	POLISHED S/S	36" X 42"	36" WIDTH	33-11/16" WIDTH

(* WHEN GATE OPEN AT 90°)

CRL 1202 "TYPE W4" CUSTOM GATE KITS:

CAT. NO	FINISH	SIZE
1202W4BSC	BRUSHED S/S	PER CUSTOMER SPECIFICATIONS
1202W4PSC	POLISHED S/S	PER CUSTOMER SPECIFICATIONS

MAXIMUM RECOMMENDED GATE SIZE IS 40" X 72"

"TYPE W4" STANDARD GATE KIT INCLUDES:

- (1) S/S WALL MOUNT GATE PIVOT BAR
- (1) 2 1/16" Ø S/S CLAD PIVOT POST W/ IN RAIL CLOSER AND FLOOR MOUNT RECEIVER
- (1) 1/2" (12MM) CLEAR TEMPERED GLASS

* BEAUTIFUL IN DESIGN AND FUNCTIONAL IN OPERATION

* UNIQUE CONCEALED CLOSING DEVICE LOCATED IN VERTICAL PIVOT POST

* ROUND VERTICAL EDGE GATE PIVOT PREVENTS FINGER PINCH

* DOUBLE ACTING, NO HOLD OPEN DESIGN

* GATE CENTERING ADJUSTMENT PROVIDES 10 DEGREES OF ALIGNMENT

* STAINLESS STEEL, BRUSHED OR POLISHED FINISHES

* 1/2" (12MM) TEMPERED GLASS (INCLUDED WITH KITS)

* CUSTOM MOUNTING OPTIONS AND SIZES ALSO AVAILABLE

* STANDARD GATE KIT IS 36"(W) X 42" (H)

*RECOMMENDED MAXIMUM GATE SIZE IS 40" (W) X 72" (H)

Revisions By:

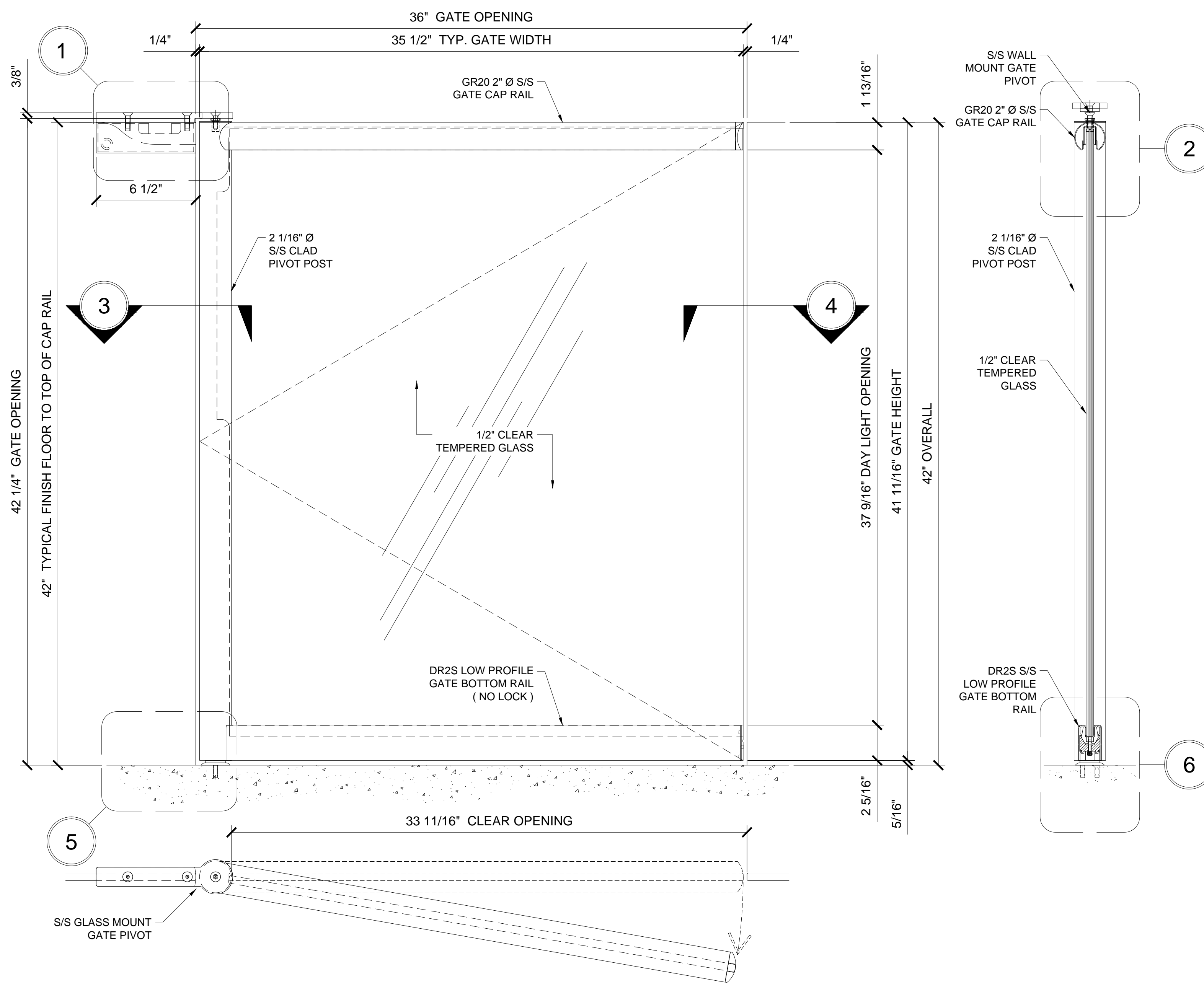
Description:
CRL GRS 1202 SERIES
SWINGING GLASS
GATE SYSTEMS

Drawn By: VM
Date: 12/02/2013
Scale: NOT TO SCALE
File Name: CRL GRS 1202 GS.dwg
Sheet

W4

CRL GRS 1202 SERIES SWINGING GLASS GATE SYSTEM

"G1" GLASS TO GLASS MOUNTED GATE KIT



CRL GRS 1202 SERIES "TYPE G1" GLASS TO GLASS MOUNTED SWINGING GLASS GATE KIT

1/2" (12MM) TEMPERED GLASS (INCLUDED WITH KIT)

CRL 1202 "TYPE G1" STANDARD GATE KITS:

CAT. NO	FINISH	SIZE	FITS OPENING	CLEAR OPENING*
1202G142BS	BRUSHED S/S	36" X 42"	36" WIDTH	33-11/16" WIDTH
1202G142PS	POLISHED S/S	36" X 42"	36" WIDTH	33-11/16" WIDTH

(* WHEN GATE OPEN AT 90°)

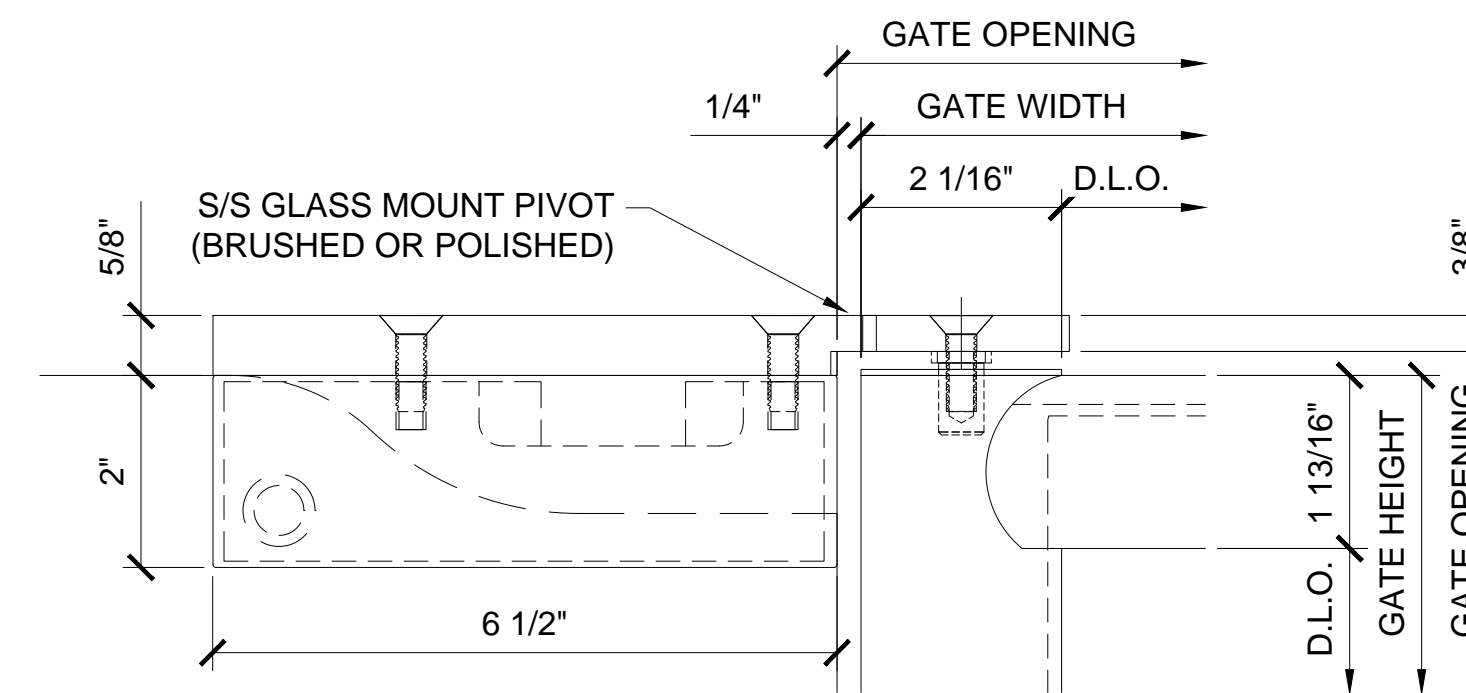
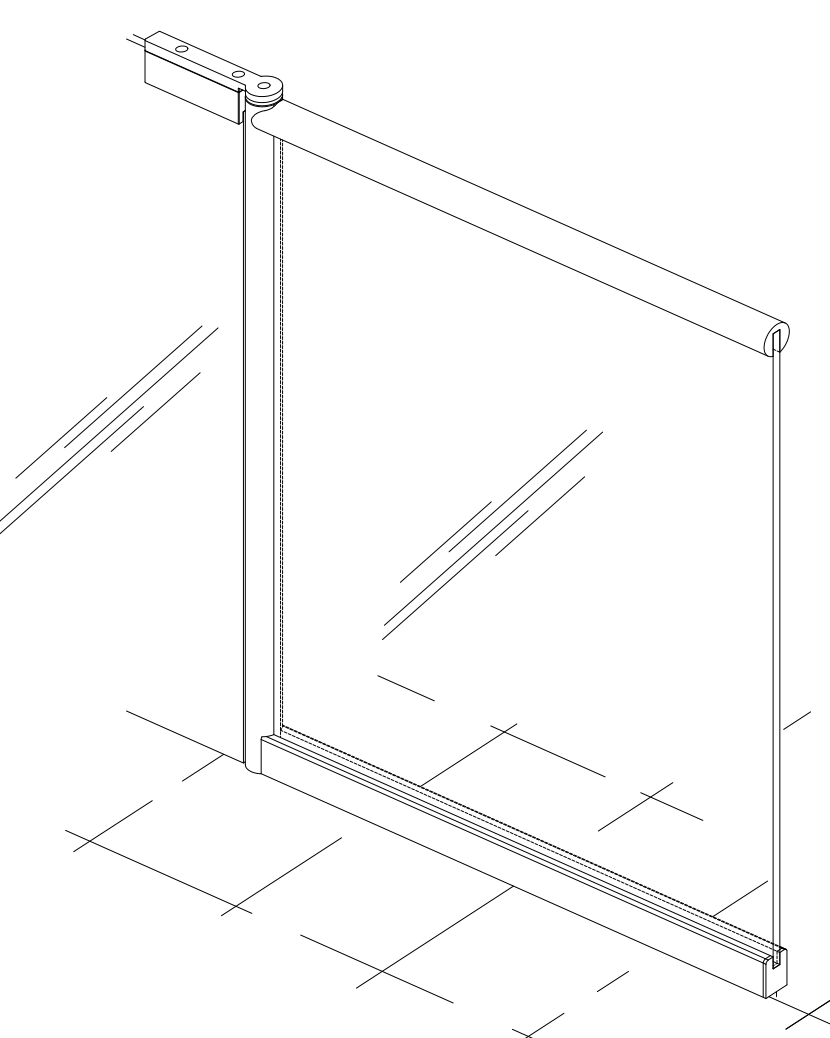
CRL 1202 "TYPE G1" CUSTOM GATE KITS:

CAT. NO	FINISH	SIZE
1202G1BSC	BRUSHED S/S	PER CUSTOMER SPECIFICATIONS
1202G1PSC	POLISHED S/S	PER CUSTOMER SPECIFICATIONS

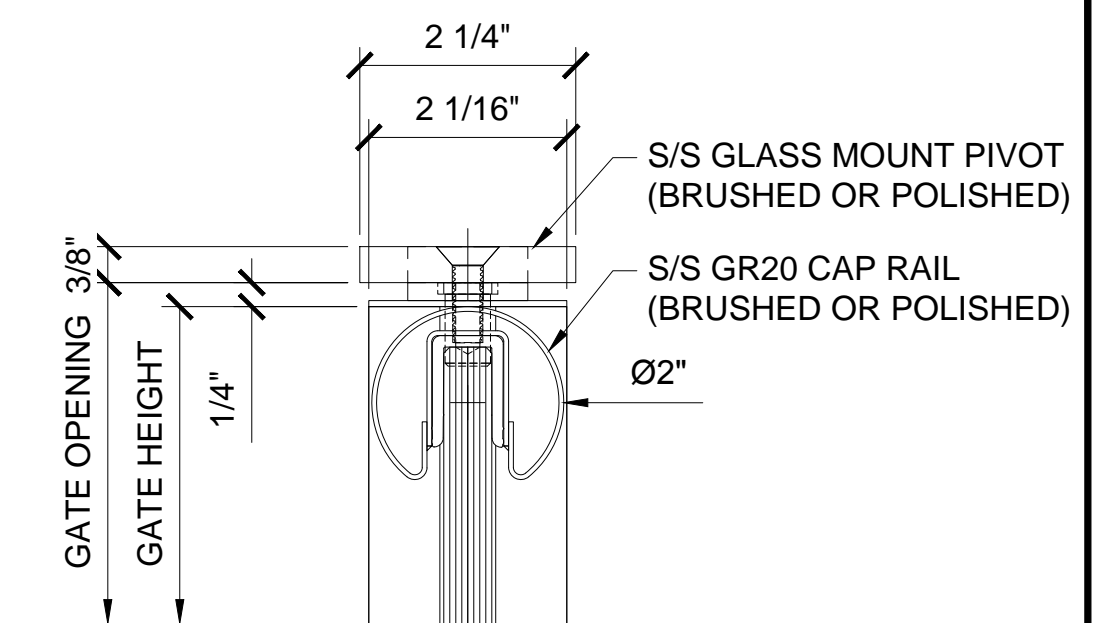
MAXIMUM RECOMMENDED GATE SIZE IS 40" X 72"

"TYPE G1" STANDARD GATE KIT INCLUDES:

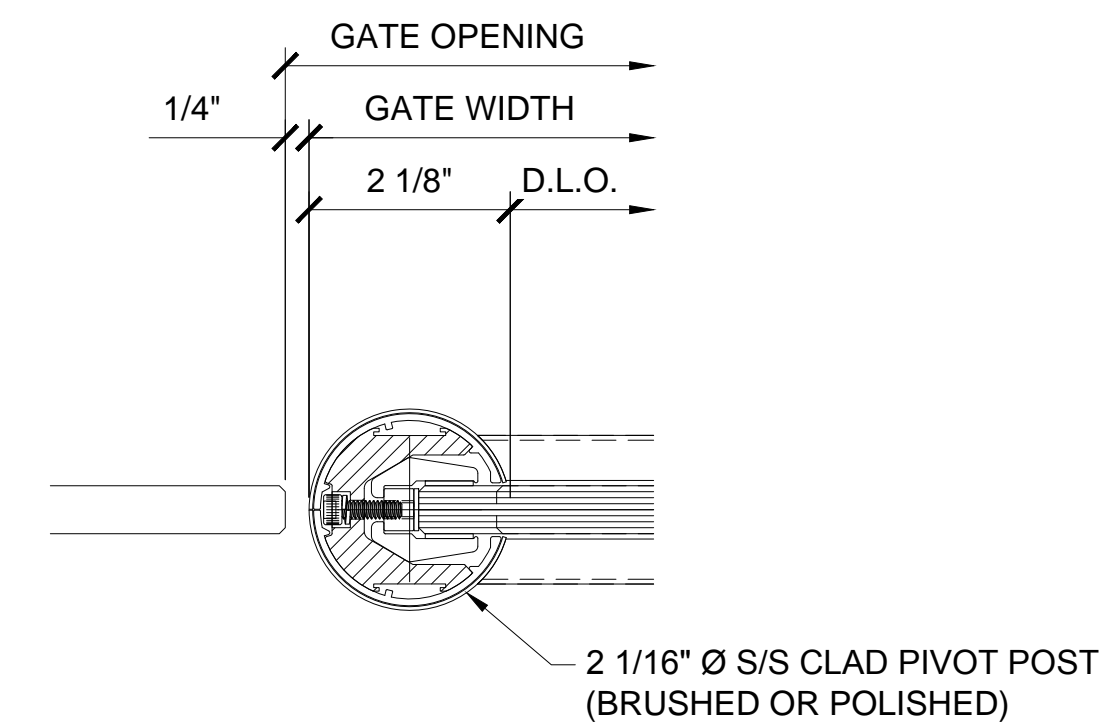
- (1) S/S GLASS TO GLASS TOP PATCH WITH GATE PIVOT BAR
- (1) 2 1/16" Ø S/S CLAD PIVOT POST W/ IN RAIL CLOSER AND FLOOR MOUNT RECEIVER
- (1) GR20 SERIES 2" Ø S/S CAP RAIL
- (1) S/S CLAD DR2S LOW PROFILE BOTTOM GATE RAIL (NO LOCK)
- (1) 1/2" (12MM) CLEAR TEMPERED GLASS



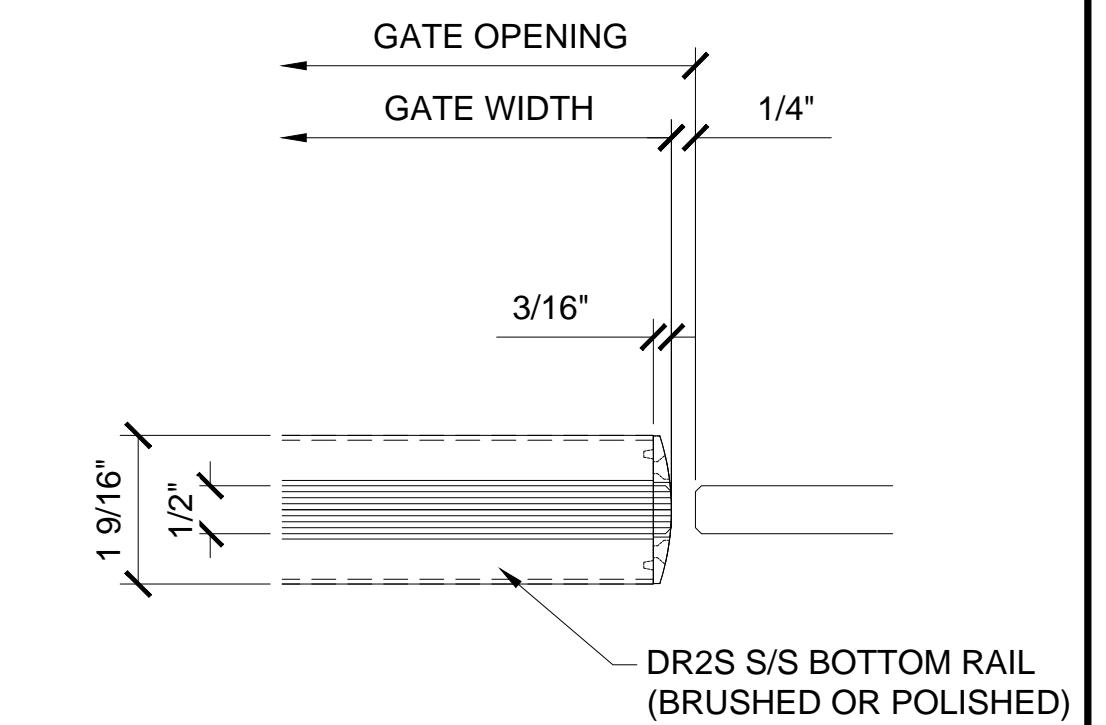
1 GLASS MOUNT & PIVOT POST ELEVATION DETAIL
INCLUDED S/S GLASS MOUNT PIVOT BRUSHED OR POLISHED FINISH



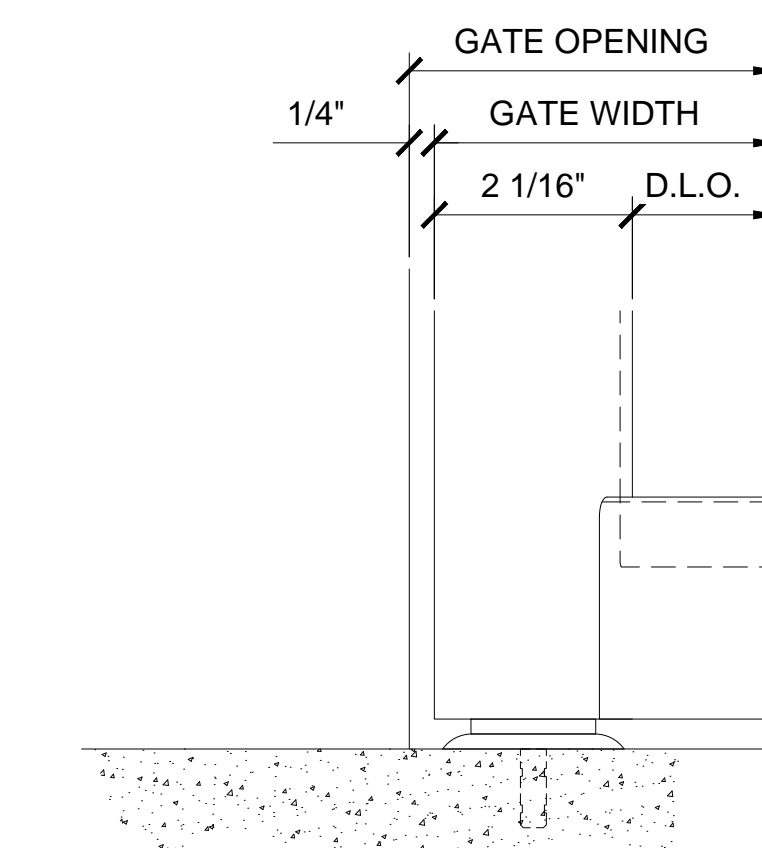
2 GRS20 2" Ø S/S CAP RAIL SECTION DETAIL
GLASS MOUNT PIVOT BRUSHED OR POLISHED S/S FINISH



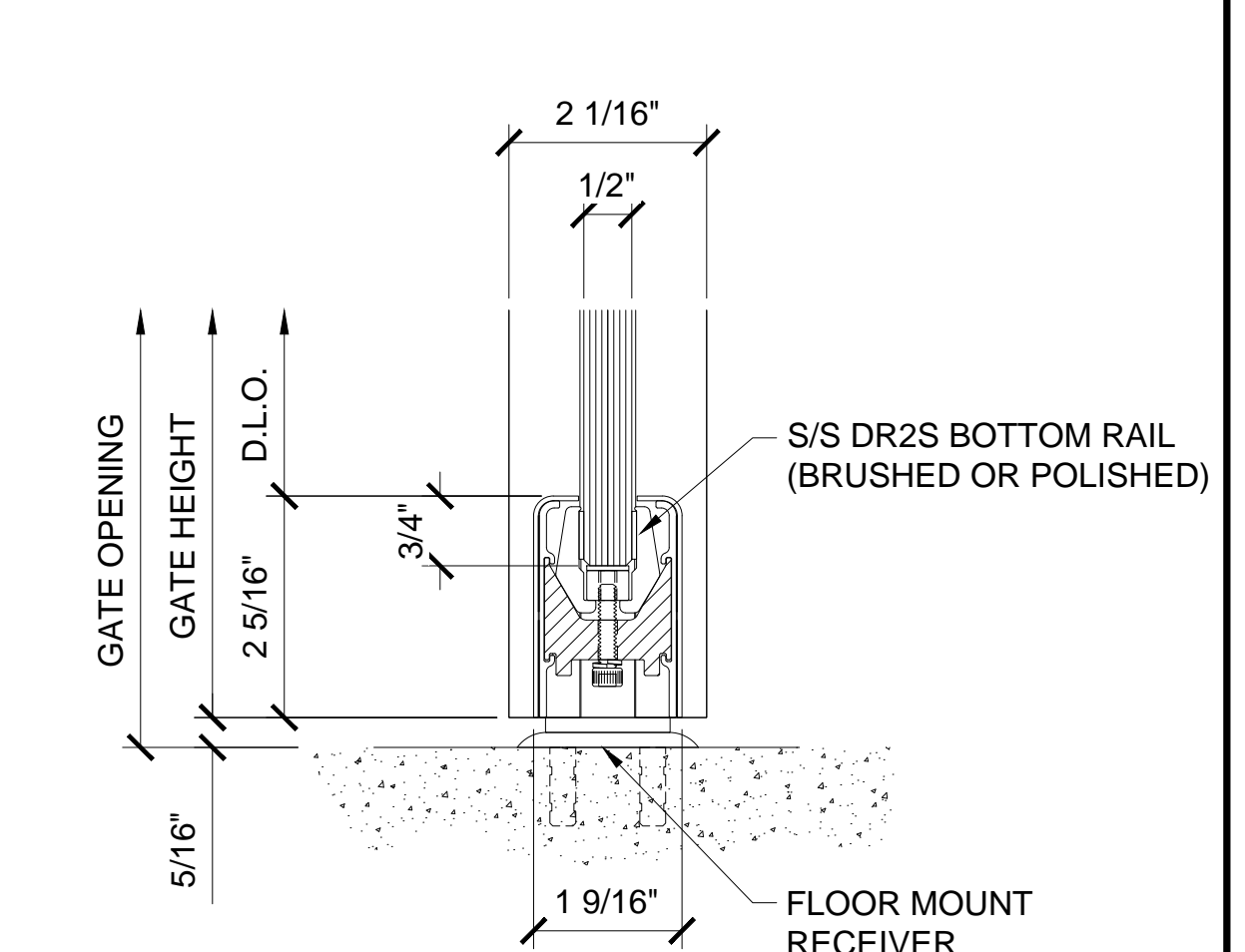
3 PIVOT POST SECTION DETAIL
2 1/16" Ø S/S PIVOT POST BRUSHED OR POLISHED FINISH



4 STRIKE SIDE SECTION DETAIL
1/2" (12MM) CLEAR TEMPERED GLASS



5 BOTTOM RAIL & PIVOT POST ELEVATION DETAIL
2 1/16" Ø S/S PIVOT POST BRUSHED OR POLISHED FINISH



6 LOW PROFILE BOTTOM RAIL SECTION DETAIL
DR2S "WEDGE-LOCK" / BRUSHED OR POLISHED S/S FINISH

- * BEAUTIFUL IN DESIGN AND FUNCTIONAL IN OPERATION
- * HEAVY DUTY GLASS GATE WITH GRS20 SERIES S/S CAP RAIL
- * DR2S SERIES LOW PROFILE BOTTOM RAIL WITH CRL "ALL GLASS" DOORS WEDGE-LOCK RAIL SYSTEM
- * OPTIONAL LOCKS AVAILABLE
-STANDARD KIT PROVIDED WITH NO LOCKS
- * UNIQUE CONCEALED CLOSING DEVICE LOCATED IN VERTICAL PIVOT POST
- * ROUND VERTICAL EDGE GATE PIVOT PREVENTS FINGER PINCH

- * DOUBLE ACTING, NO HOLD OPEN DESIGN
- * GATE CENTERING ADJUSTMENT PROVIDES 10 DEGREES OF ALIGNMENT
- * STAINLESS STEEL, BRUSHED OR POLISHED FINISHES
- * 1/2" (12MM) TEMPERED GLASS (INCLUDED WITH KITS)
- * RECOMMENDED MAXIMUM GATE SIZE IS 40" (W) X 72" (H), GLASS SUBSTRATE MAY REQUIRE REINFORCEMENT

Revisions By:

Discription:
CRL GRS 1202 SERIES
SWINGING GLASS
GATE SYSTEMS

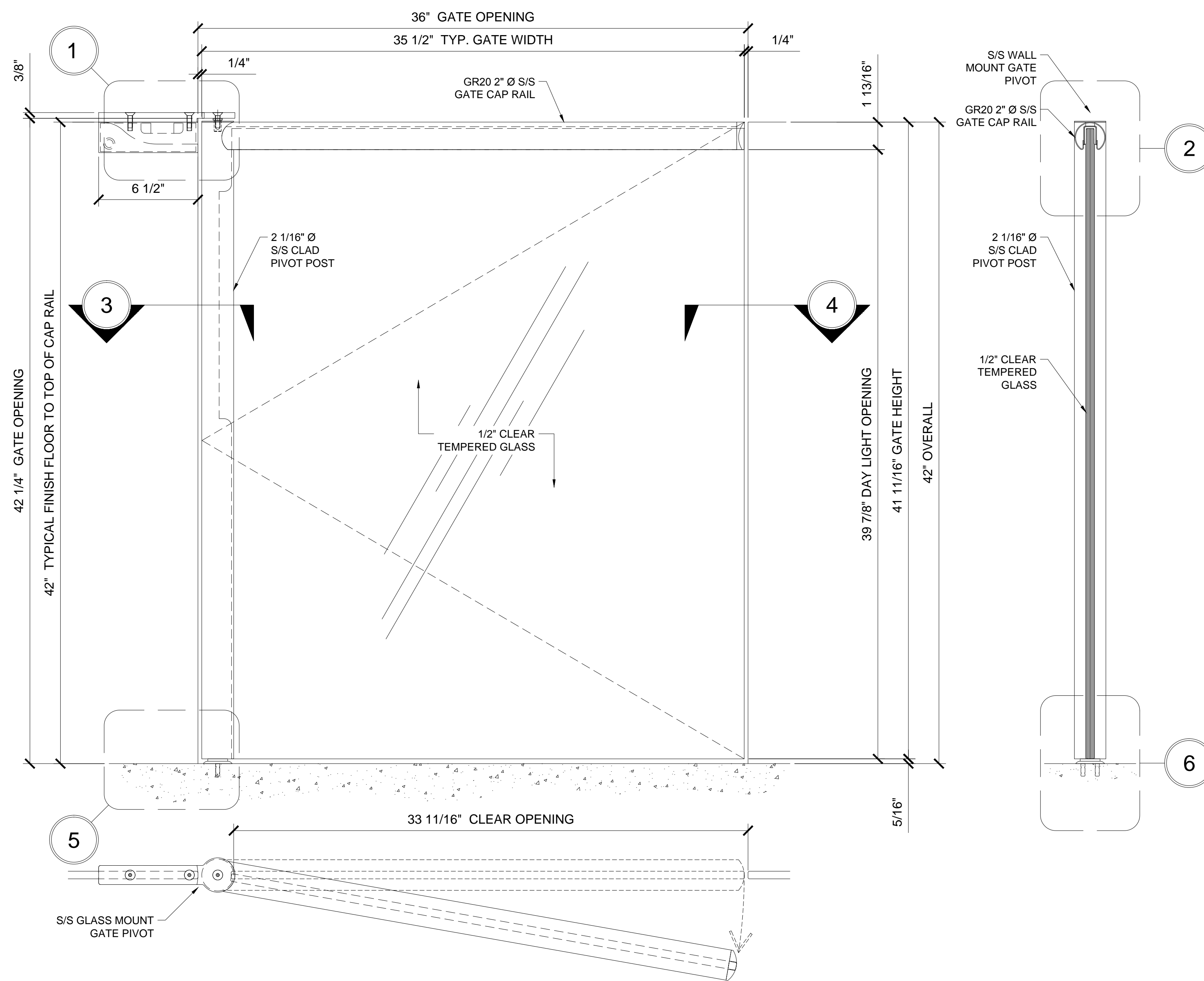
Drawn By: VM
Date: 12/02/2013
Scale: NOT TO SCALE
File Name: CRL GRS 1202 GS.dwg

Sheet

G1

CRL GRS 1202 SERIES SWINGING GLASS GATE SYSTEM

"G2" GLASS TO GLASS MOUNTED GATE KIT



CRL GRS 1202 SERIES "TYPE G2" GLASS TO GLASS MOUNTED SWINGING GLASS GATE KIT

1/2" (12MM) TEMPERED GLASS (INCLUDED WITH KIT)

CRL 1202 "TYPE G2" STANDARD GATE KITS:

CAT. NO	FINISH	SIZE	FITS OPENING	CLEAR OPENING*
1202G242BS	BRUSHED S/S	36" X 42"	36" WIDTH	33-11/16" WIDTH
1202G242PS	POLISHED S/S	36" X 42"	36" WIDTH	33-11/16" WIDTH

(* WHEN GATE OPEN AT 90°)

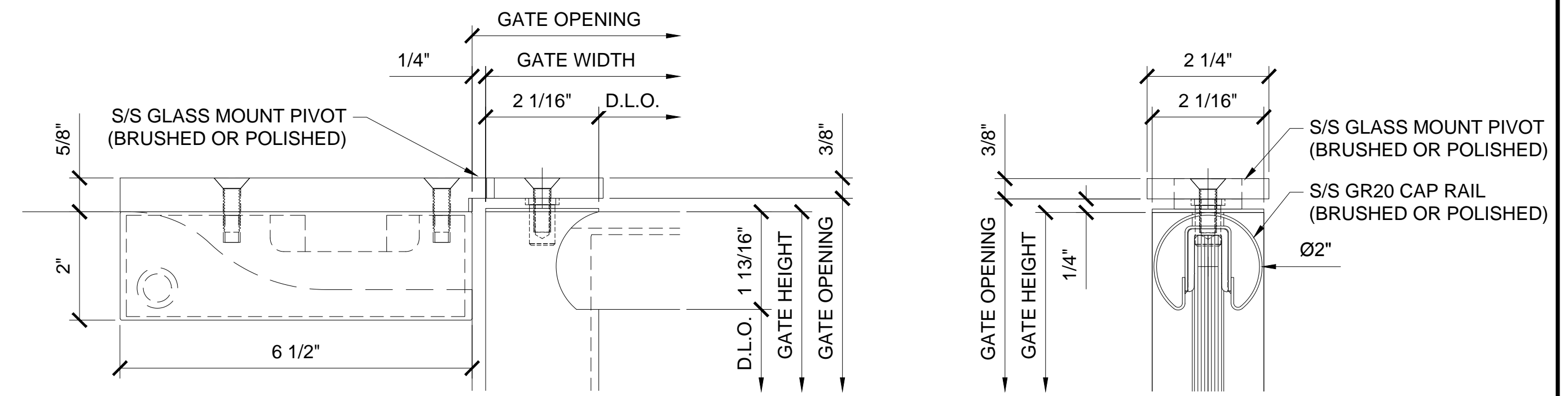
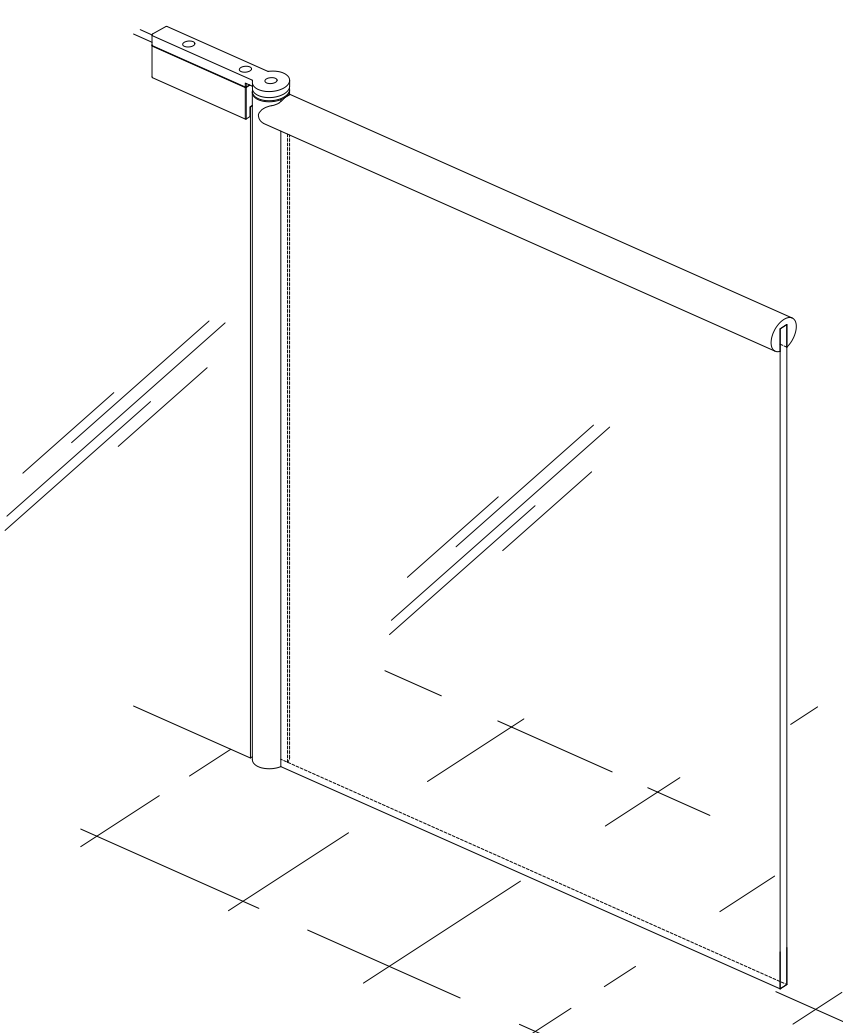
CRL 1202 "TYPE G2" CUSTOM GATE KITS:

CAT. NO	FINISH	SIZE
1202G2BSC	BRUSHED S/S	PER CUSTOMER SPECIFICATIONS
1202G2PSC	POLISHED S/S	PER CUSTOMER SPECIFICATIONS

MAXIMUM RECOMMENDED GATE SIZE IS 40" X 72"

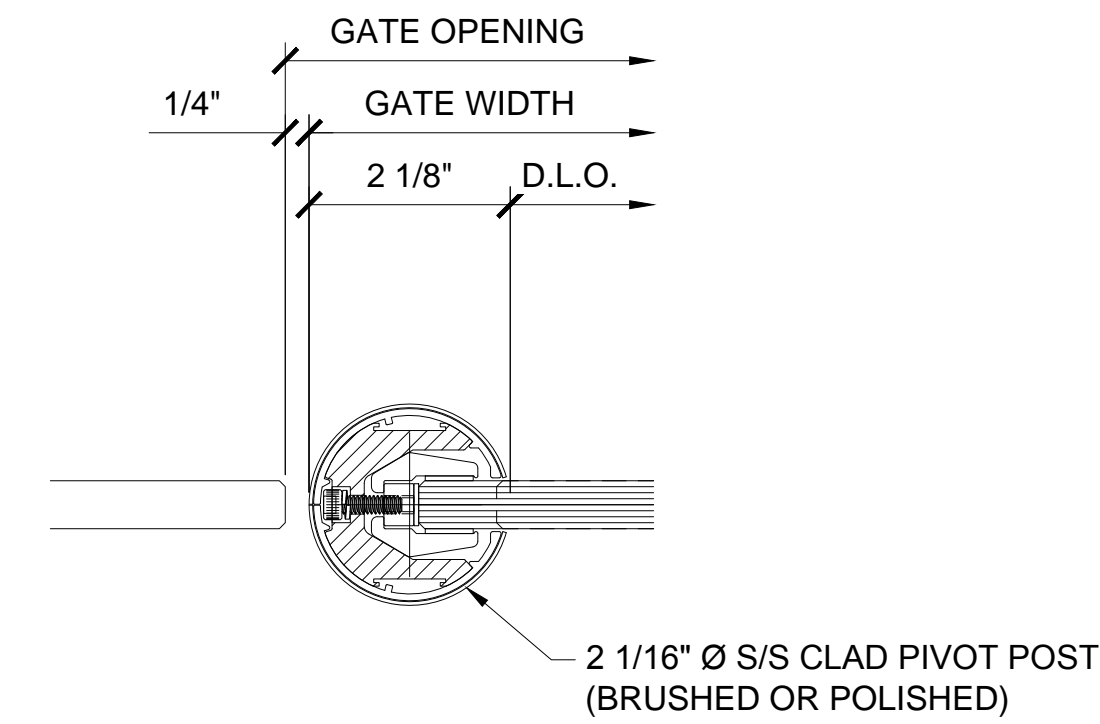
"TYPE G2" STANDARD GATE KIT INCLUDES:

- (1) S/S GLASS TO GLASS TOP PATCH WITH GATE PIVOT BAR
- (1) 2 1/16" Ø S/S CLAD PIVOT POST W/ IN RAIL CLOSER AND FLOOR MOUNT RECEIVER
- (1) GR20 SERIES 2" Ø S/S CAP RAIL
- (1) 1/2" (12MM) CLEAR TEMPERED GLASS



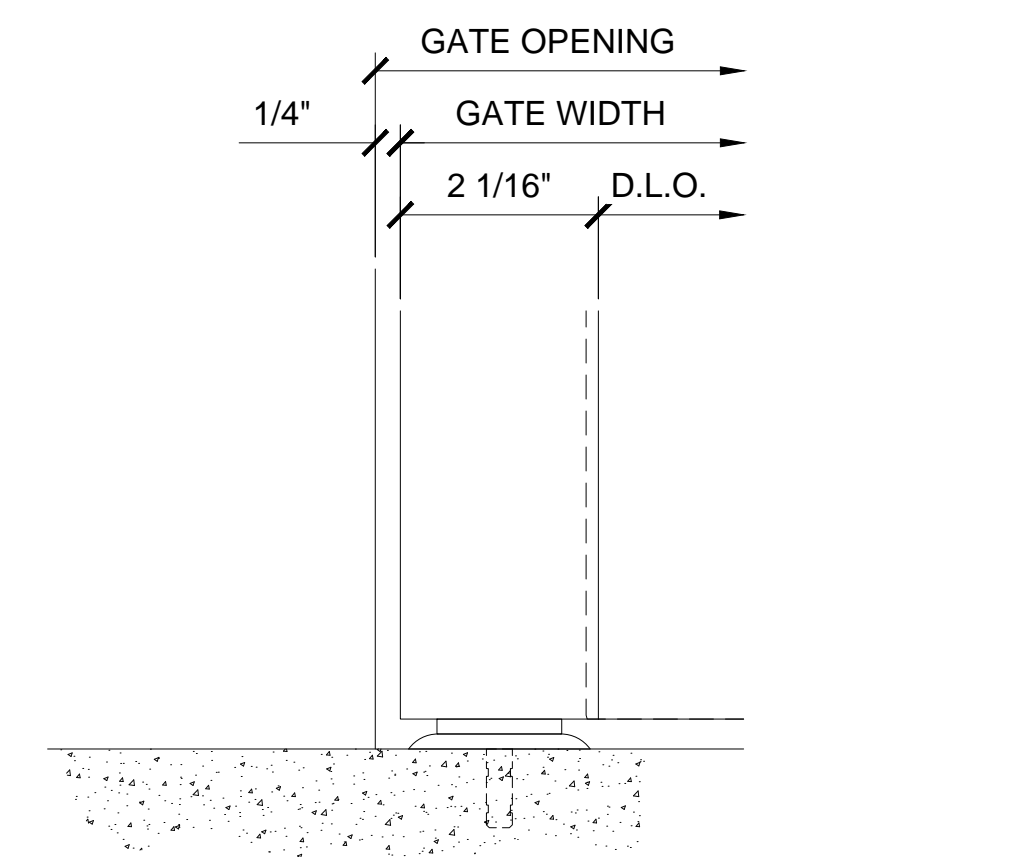
1 GLASS MOUNT & PIVOT POST ELEVATION DETAIL
INCLUDED S/S GLASS MOUNT PIVOT BRUSHED OR POLISHED FINISH

2 GR20 2" Ø S/S CAP RAIL SECTION DETAIL
GLASS MOUNT PIVOT BRUSHED OR POLISHED S/S FINISH



3 PIVOT POST SECTION DETAIL
2 1/16" Ø S/S PIVOT POST BRUSHED OR POLISHED FINISH

4 GLASS STRIKE SECTION DETAIL
1/2" (12MM) CLEAR TEMPERED GLASS



5 BOTTOM GLASS & PIVOT POST ELEVATION DETAIL
2 1/16" Ø S/S PIVOT POST BRUSHED OR POLISHED FINISH

6 BOTTOM GLASS GATE SECTION DETAIL
1/2" (12MM) CLEAR TEMPERED GLASS

* BEAUTIFUL IN DESIGN AND FUNCTIONAL IN OPERATION

* HEAVY DUTY GLASS GATE WITH GR20 SERIES S/S CAP RAIL

* UNIQUE CONCEALED CLOSING DEVICE LOCATED IN VERTICAL PIVOT POST

* ROUND VERTICAL EDGE GATE PIVOT PREVENTS FINGER PINCH

* DOUBLE ACTING, NO HOLD OPEN DESIGN

* GATE CENTERING ADJUSTMENT PROVIDES 10 DEGREES OF ALIGNMENT

* STAINLESS STEEL, BRUSHED OR POLISHED FINISHES

* 1/2" (12MM) TEMPERED GLASS (INCLUDED WITH KIT)

* CUSTOM MOUNTING OPTIONS AND SIZES ALSO AVAILABLE

* STANDARD GATE KIT IS 36" (W) X 42" (H)

*RECOMMENDED MAXIMUM GATE SIZE IS 40" (W) X 72" (H), MAY REQUIRE GLASS REINFORCEMENT

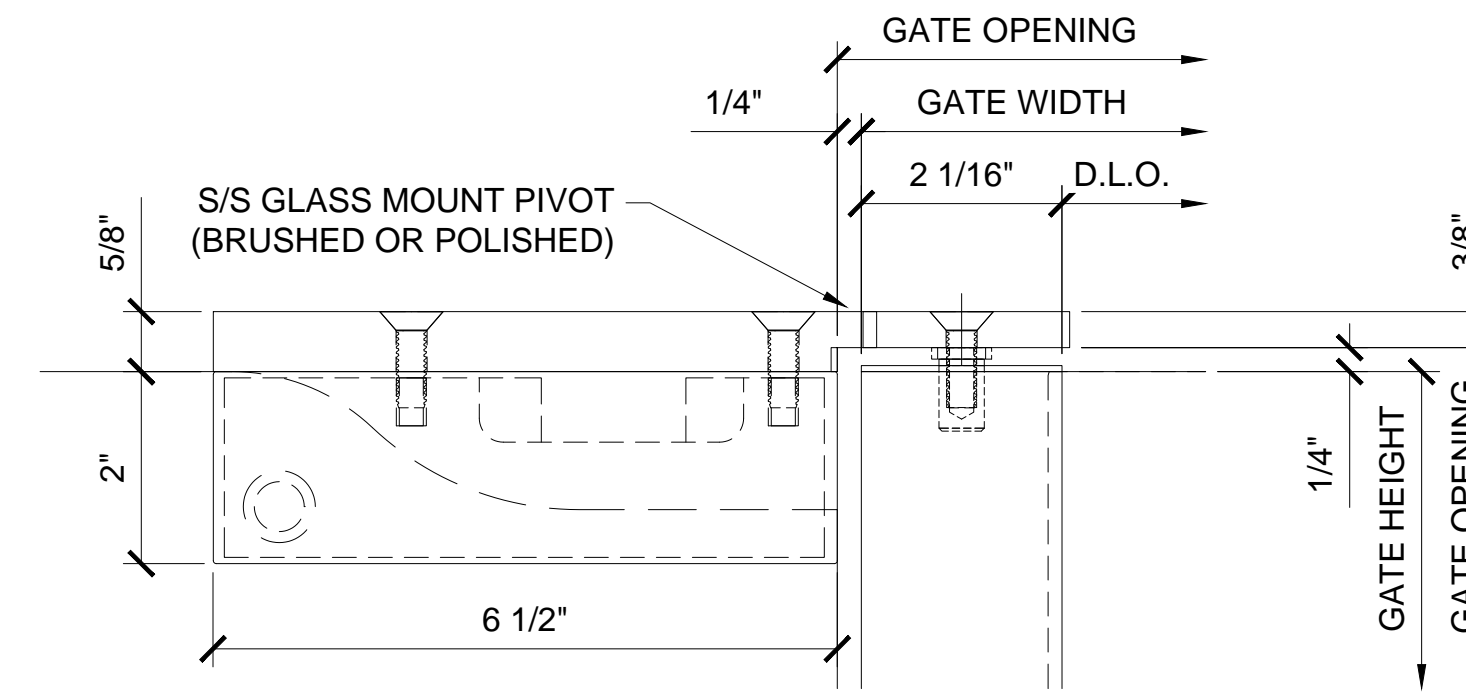
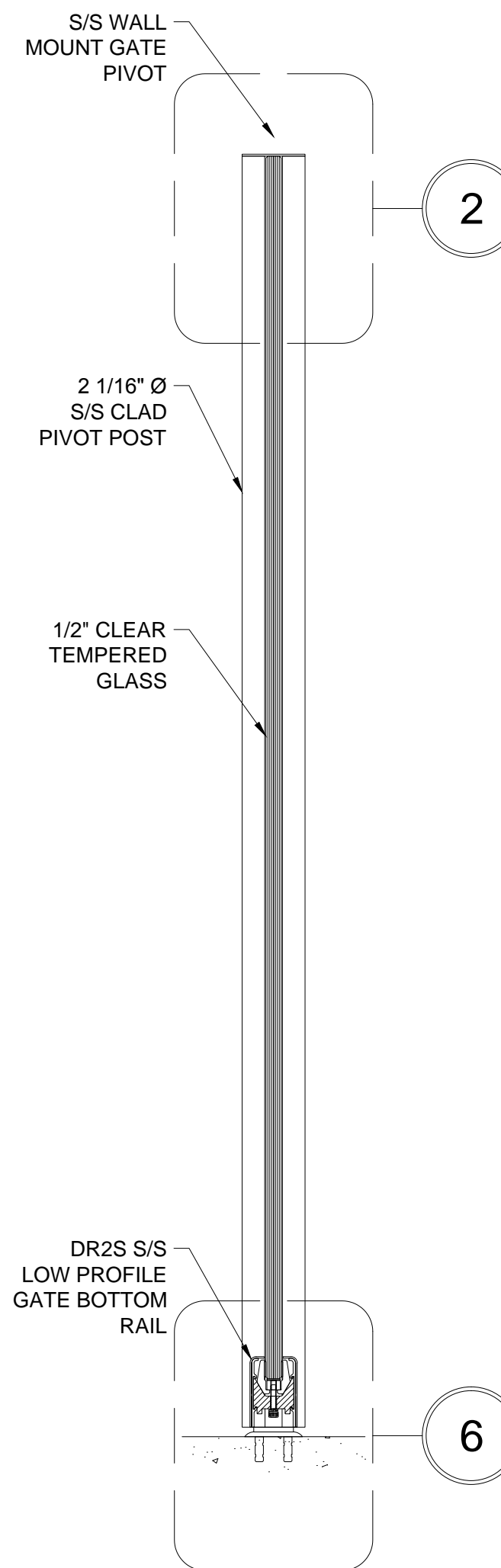
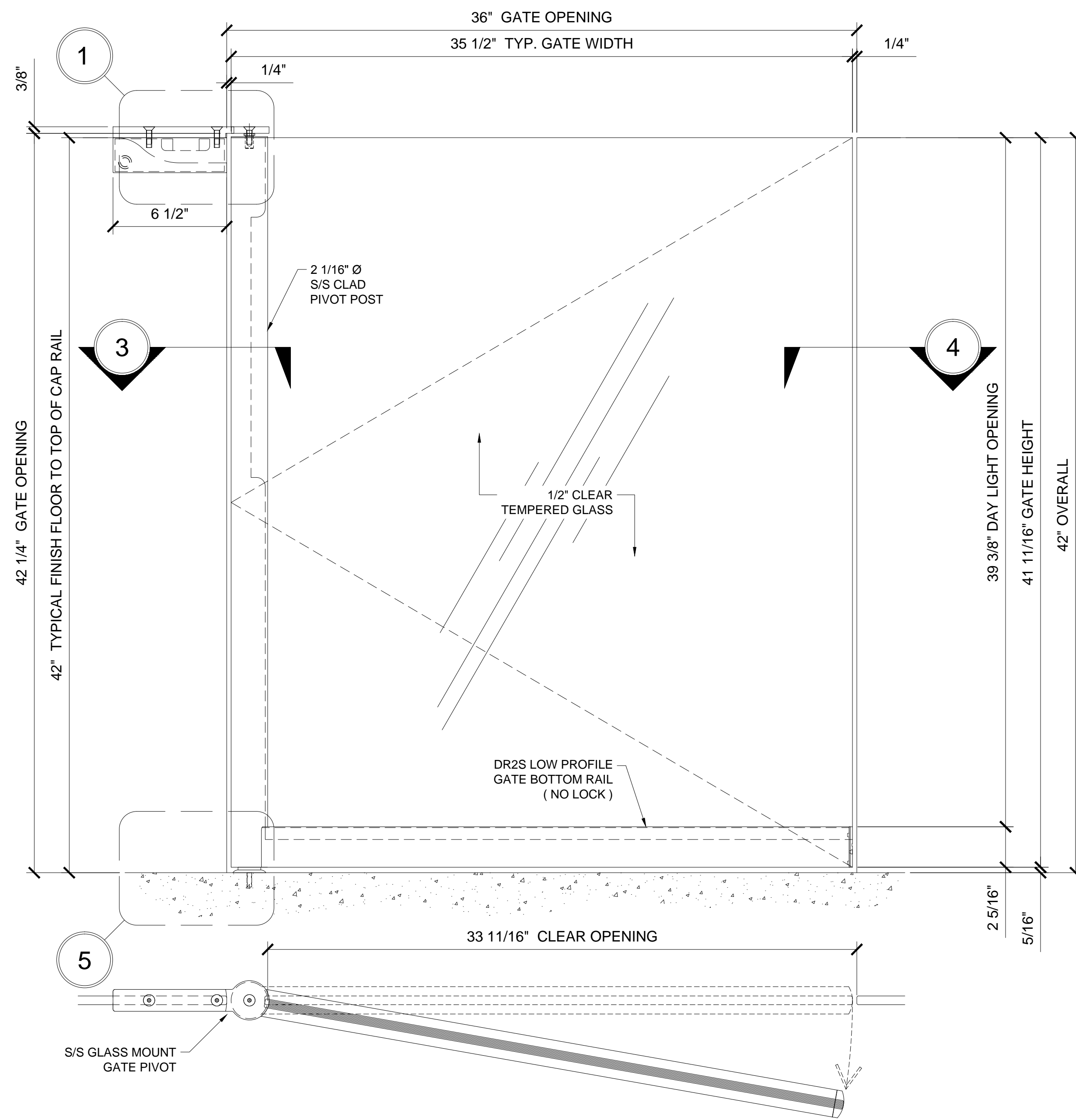
Revisions By:

Discription:
CRL GRS 1202 SERIES
SWINGING GLASS
GATE SYSTEMS

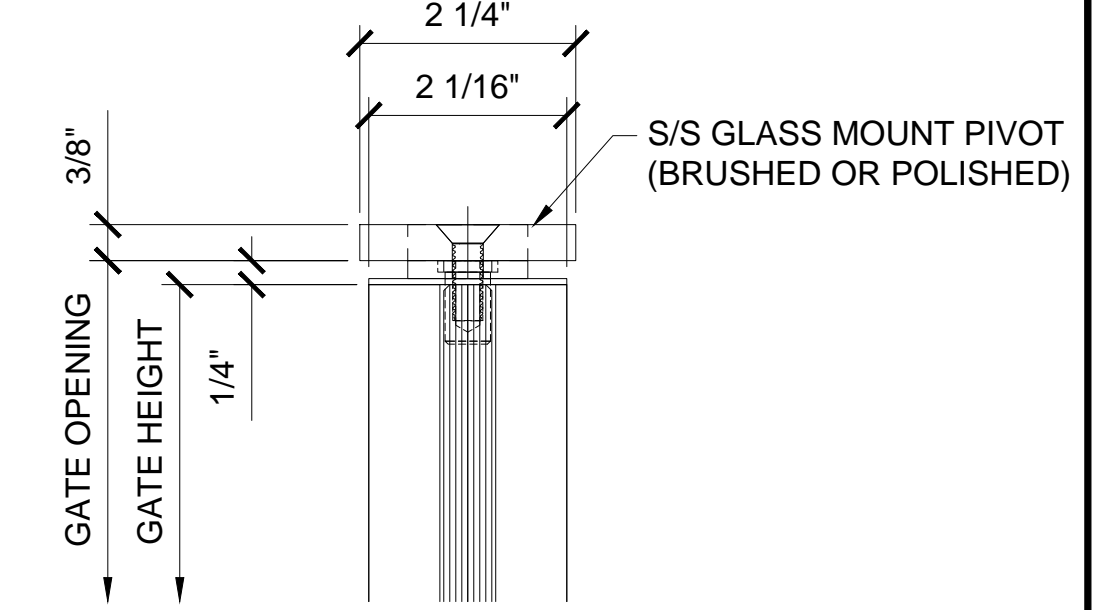
Drawn By: VM
Date: 12/02/2013
Scale: NOT TO SCALE
File Name: CRL GRS 1202 GS.dwg
Sheet

CRL GRS 1202 SERIES SWINGING GLASS GATE SYSTEM

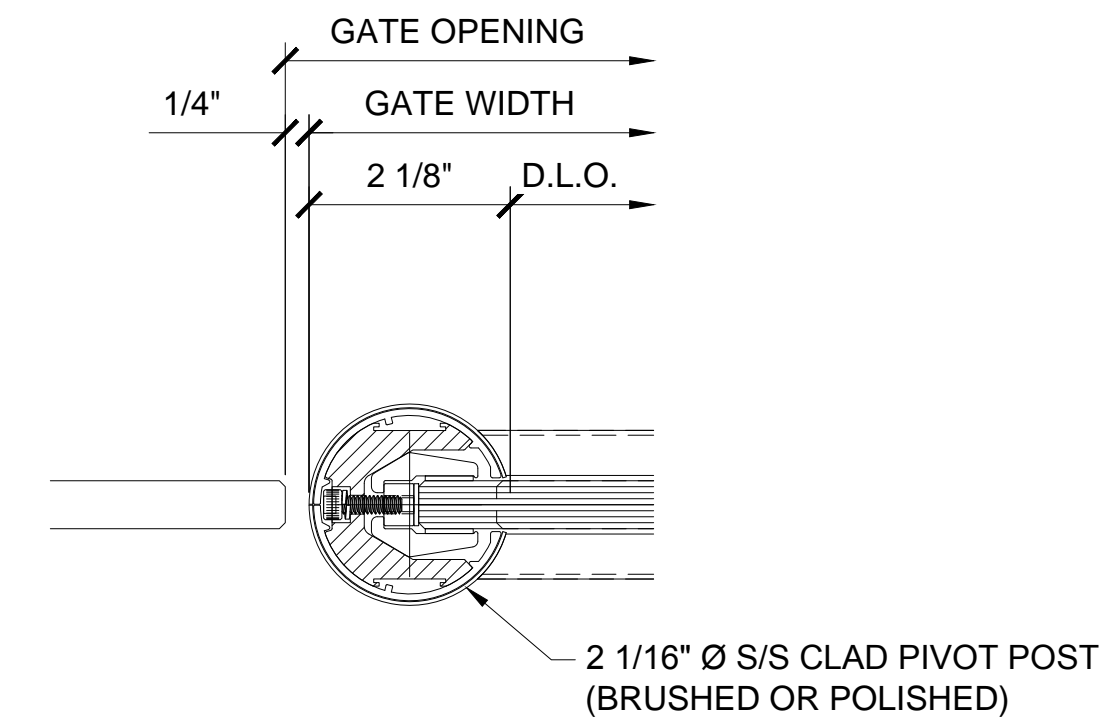
"G3" GLASS TO GLASS MOUNTED GATE KIT



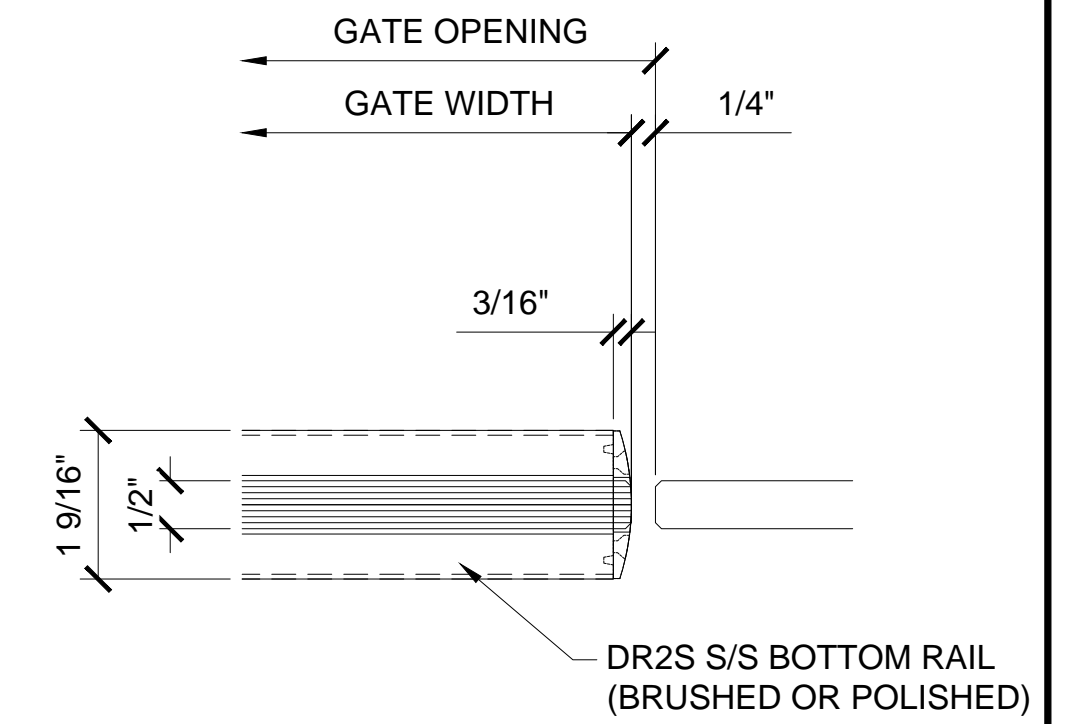
1 GLASS MOUNT & PIVOT POST ELEVATION DETAIL
INCLUDED S/S GLASS MOUNT PIVOT BRUSHED OR POLISHED FINISH



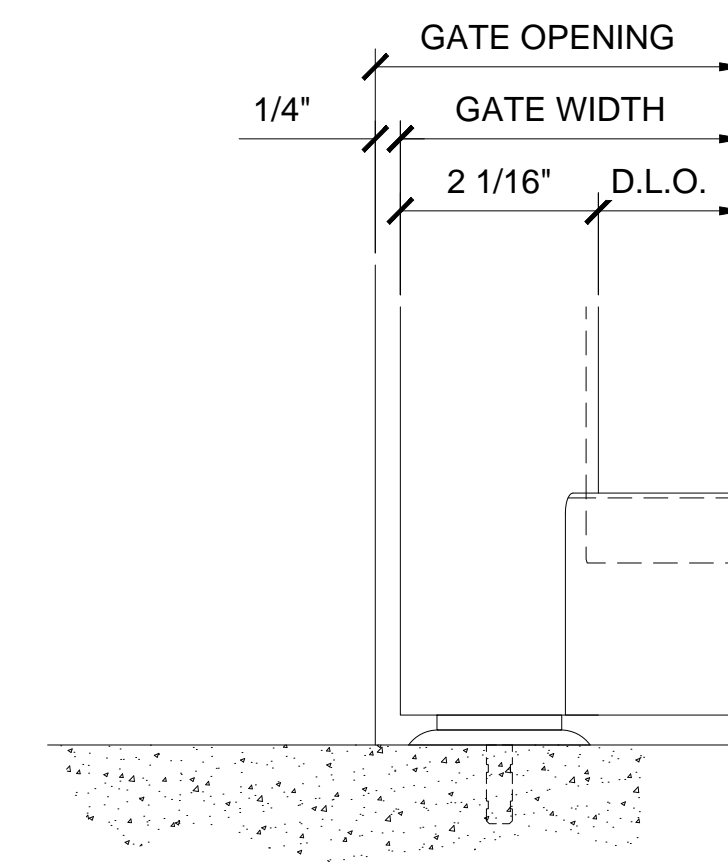
2 GLASS GATE TOP SECTION DETAIL
1/2" (12MM) CLEAR TEMPERED GLASS / GLASS MOUNT



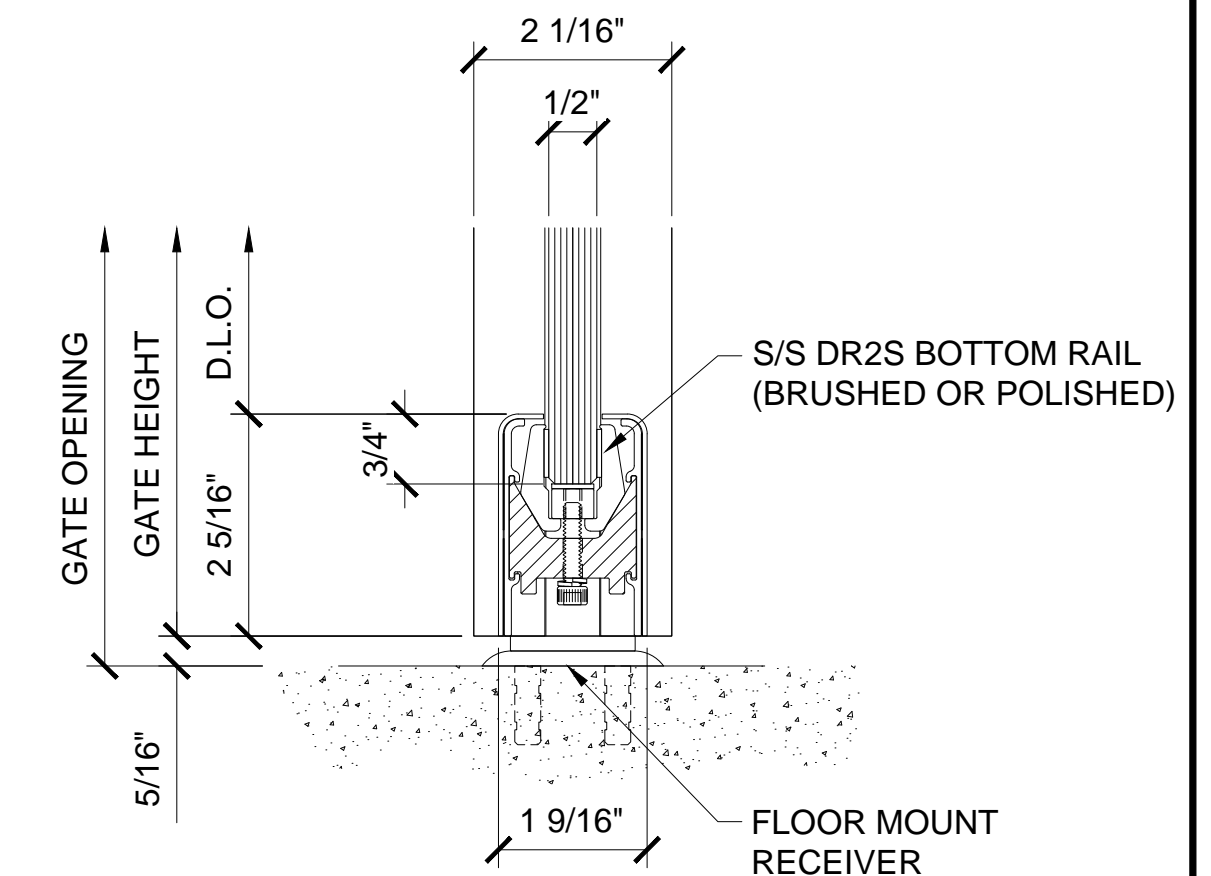
3 PIVOT POST SECTION DETAIL
2 1/16" Ø S/S PIVOT POST BRUSHED OR POLISHED FINISH



4 STRIKE SIDE SECTION DETAIL
DR2S BRUSHED OR POLISHED S/S FINISH



5 BOTTOM RAIL & PIVOT POST ELEVATION DETAIL
2 1/16" Ø S/S PIVOT POST BRUSHED OR POLISHED FINISH



6 LOW PROFILE BOTTOM RAIL SECTION DETAIL
DR2S "WEDGE-LOCK" / BRUSHED OR POLISHED S/S FINISH

CRL GRS 1202 SERIES "TYPE G3" GLASS TO GLASS MOUNTED SWINGING GLASS GATE KIT

1/2" (12MM) TEMPEERED GLASS (INCLUDED WITH KIT)

CRL 1202 "TYPE G3" STANDARD GATE KITS:

CAT. NO	FINISH	SIZE	FITS OPENING	CLEAR OPENING*
1202G342BS	BRUSHED S/S	36" X 42"	36" WIDTH	33-11/16" WIDTH
1202G342PS	POLISHED S/S	36" X 42"	36" WIDTH	33-11/16" WIDTH

(* WHEN GATE OPEN AT 90°)

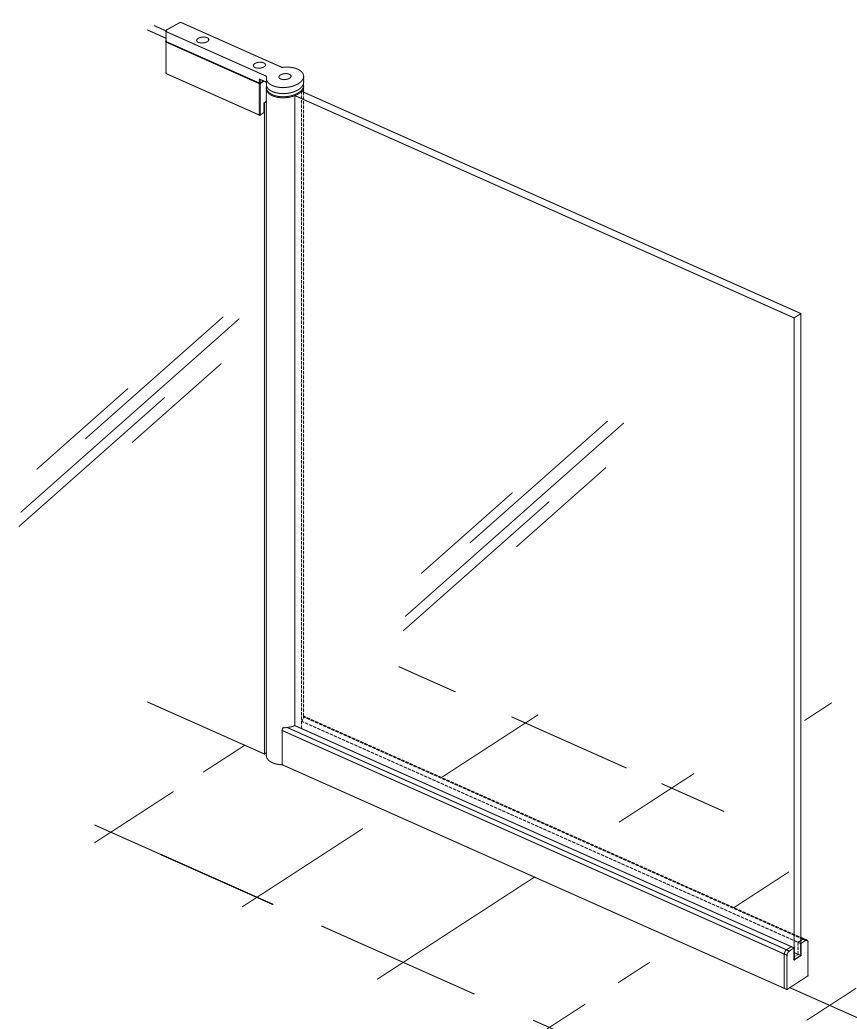
CRL 1202 "TYPE G3" CUSTOM GATE KITS:

CAT. NO	FINISH	SIZE
1202G3BSC	BRUSHED S/S	PER CUSTOMER SPECIFICATIONS
1202G3PSC	POLISHED S/S	PER CUSTOMER SPECIFICATIONS

MAXIMUM RECOMMENDED GATE SIZE IS 40" X 72"

"TYPE G3" STANDARD GATE KIT INCLUDES:

- (1) S/S GLASS TO GLASS TOP PATCH WITH GATE PIVOT BAR
- (1) 2 1/16" Ø S/S CLAD PIVOT POST W/ IN RAIL CLOSER AND FLOOR MOUNT RECEIVER
- (1) S/S CLAD DR2S LOW PROFILE BOTTOM GATE RAIL (NO LOCK)
- (1) 1/2" (12MM) CLEAR TEMPERED GLASS



* BEAUTIFUL IN DESIGN AND FUNCTIONAL IN OPERATION

* DR2S SERIES LOW PROFILE BOTTOM RAIL WITH CRL "ALL GLASS" DOORS WEDGE-LOCK RAIL SYSTEM

* OPTIONAL LOCKS AVAILABLE
-STANDARD KIT PROVIDED WITH NO LOCKS

* UNIQUE CONCEALED CLOSING DEVICE LOCATED IN VERTICAL PIVOT POST

* ROUND VERTICAL EDGE GATE PIVOT PREVENTS FINGER PINCH

* DOUBLE ACTING, NO HOLD OPEN DESIGN

* GATE CENTERING ADJUSTMENT PROVIDES 10 DEGREES OF ALIGNMENT

* STAINLESS STEEL , BRUSHED OR POLISHED FINISHES

* 1/2" (12MM) TEMPERED GLASS (INCLUDED WITH KITS)

* CUSTOM MOUNTING OPTIONS AND SIZES ALSO AVAILABLE

* STANDARD GATE KIT IS 36"(W) X 42" (H)

*RECOMMENDED MAXIMUM GATE SIZE IS 40" (W) X 72" (H), MAY REQUIRE GLASS REINFORCEMENT

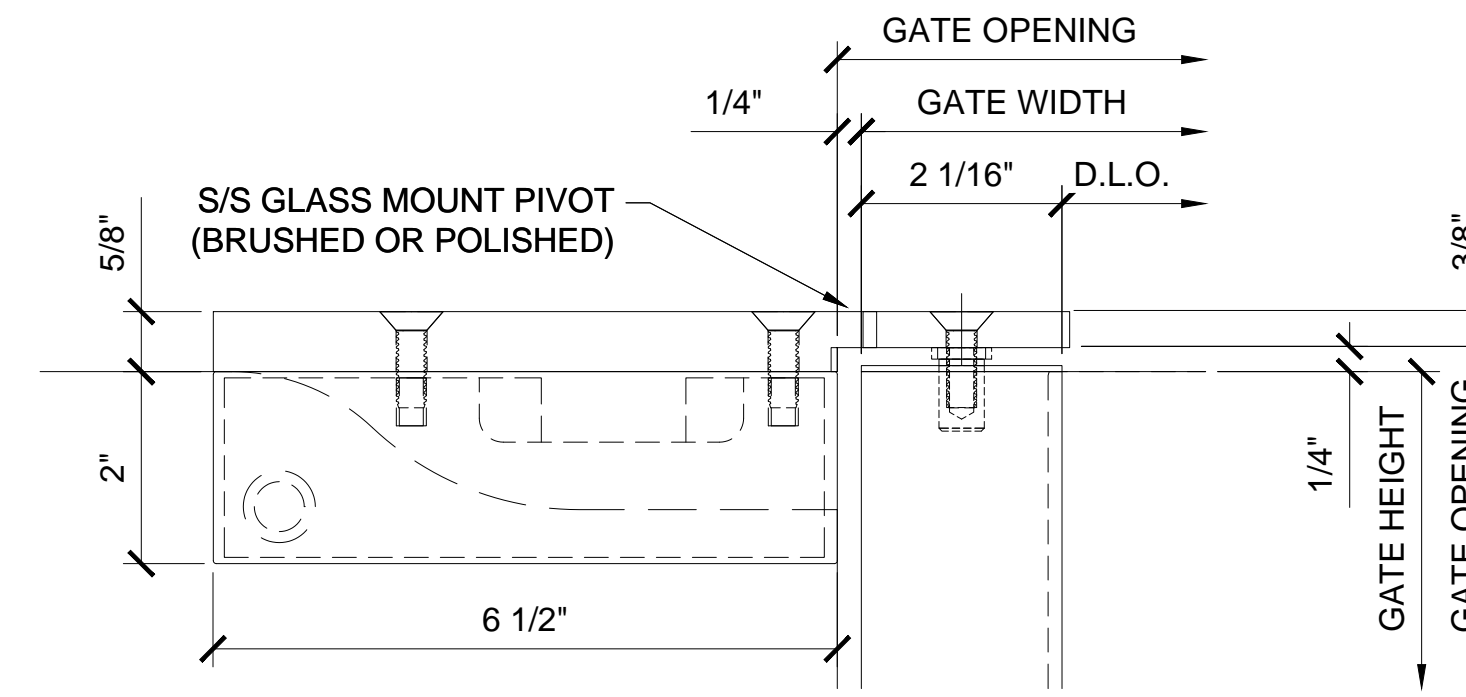
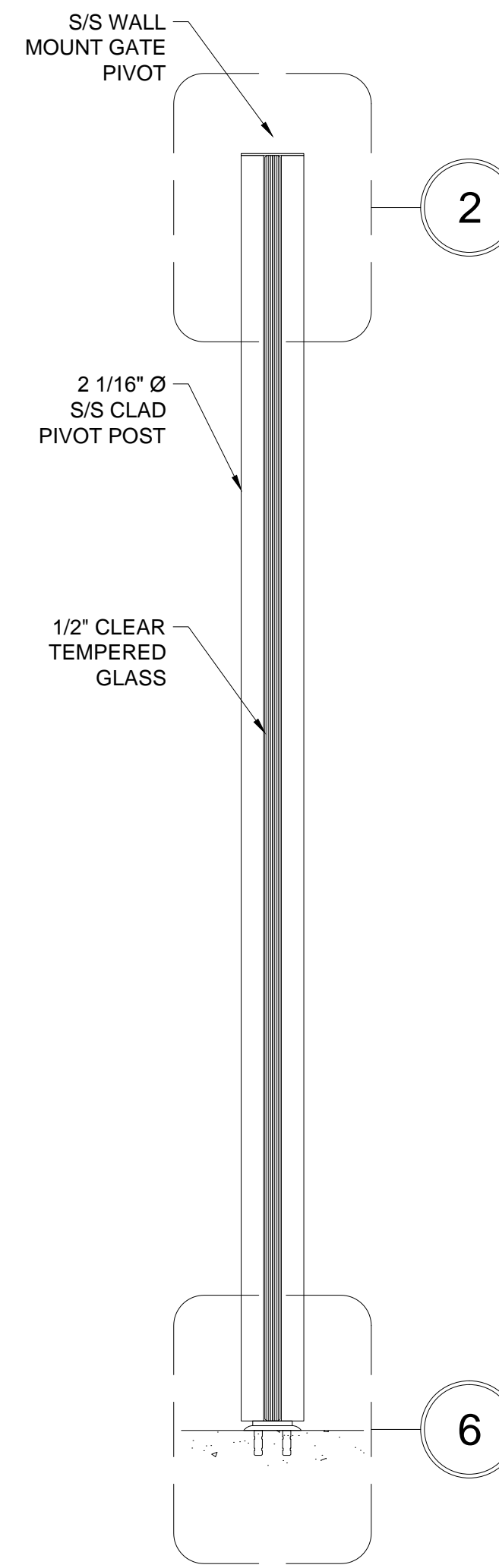
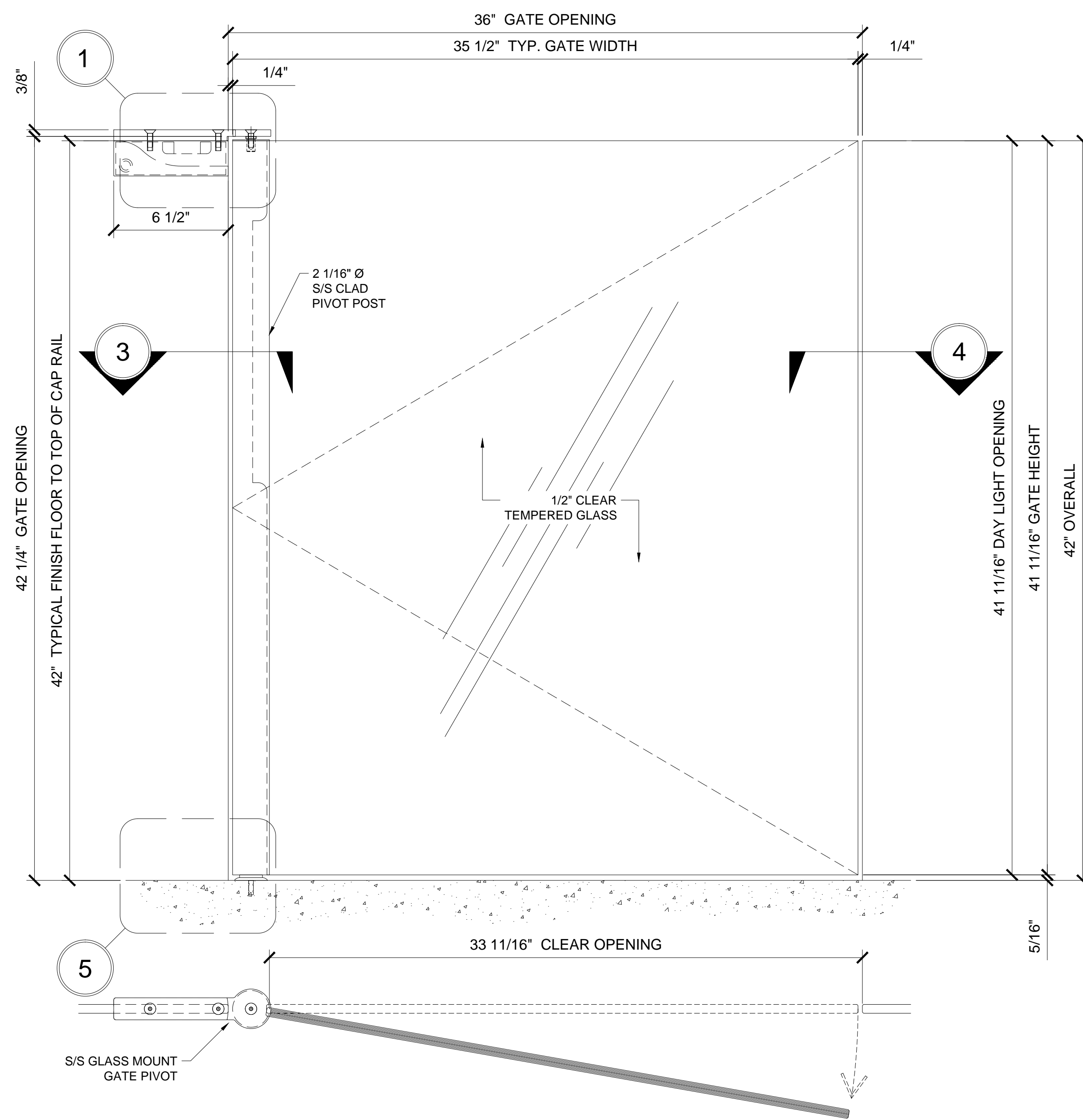
Revisions By:

Discription:
CRL GRS 1202 SERIES
SWINGING GLASS
GATE SYSTEMS

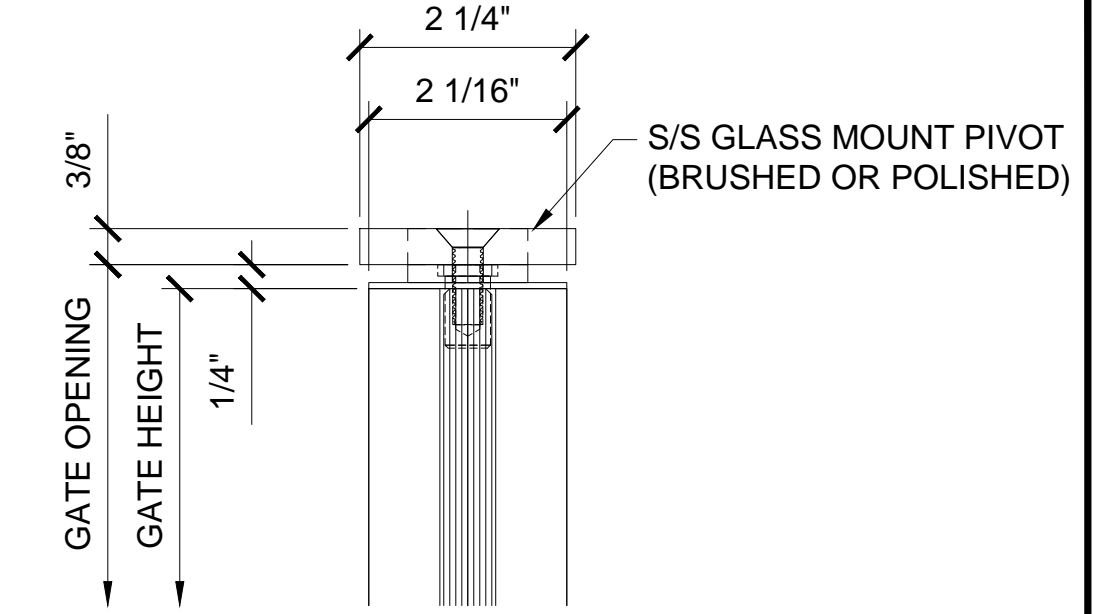
Drawn By: VM
Date: 12/02/2013
Scale: 3/4" = 1'-0"
File Name: CRL GRS 1202 GS.dwg

CRL GRS 1202 SERIES SWINGING GLASS GATE SYSTEM

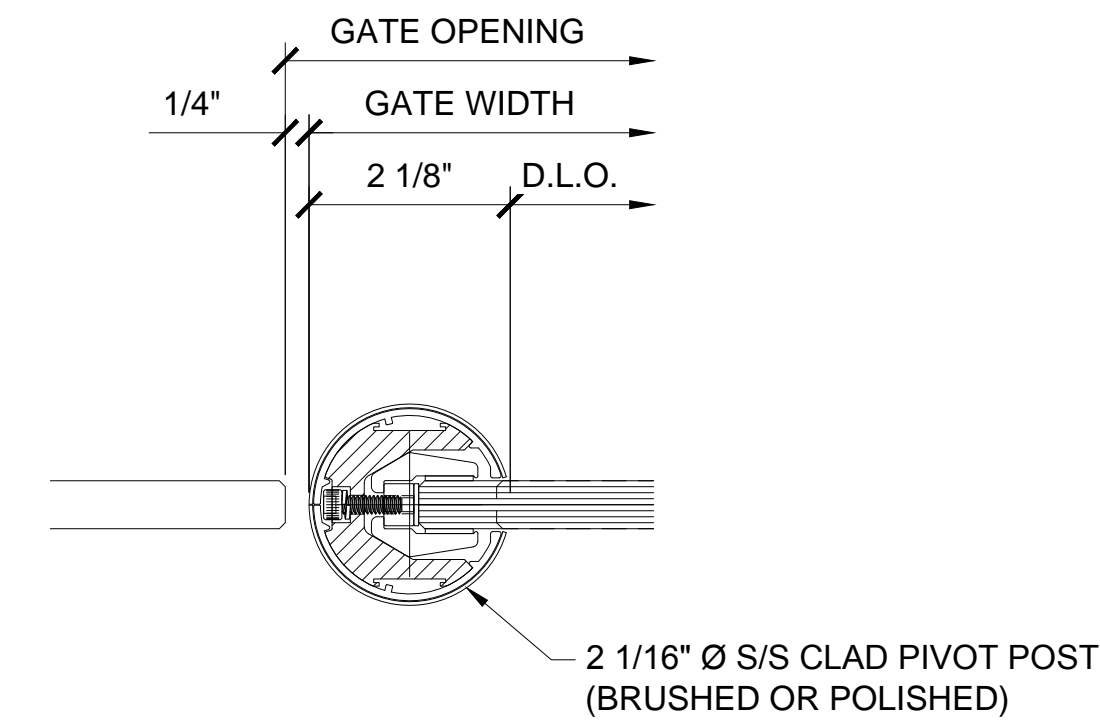
"G4" GLASS TO GLASS MOUNTED GATE KIT



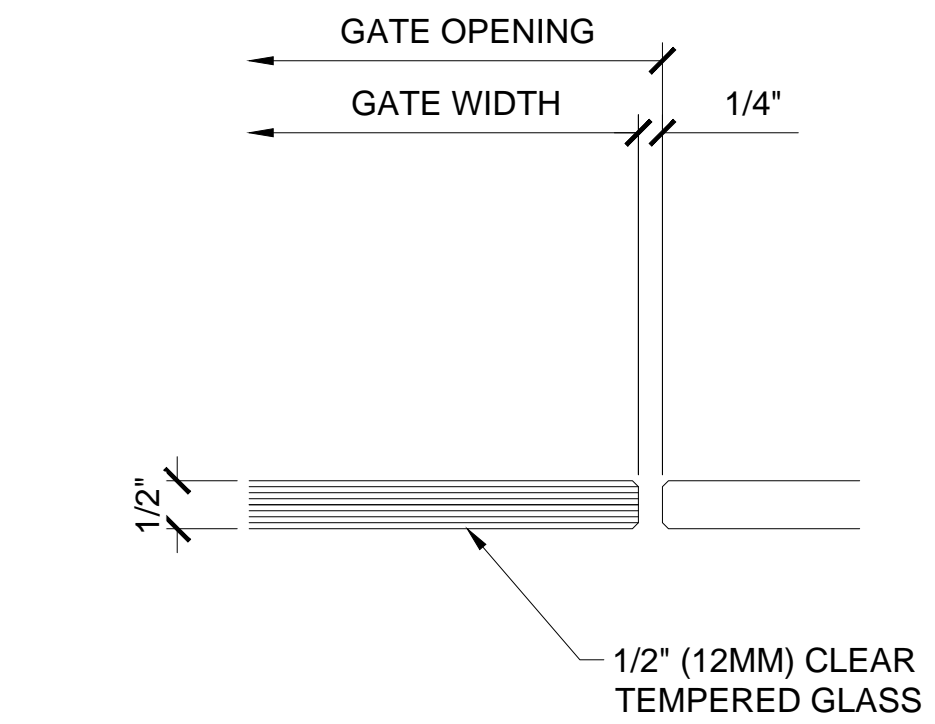
1 GLASS MOUNT & PIVOT POST ELEVATION DETAIL
INCLUDED S/S GLASS MOUNT PIVOT BRUSHED OR POLISHED FINISH



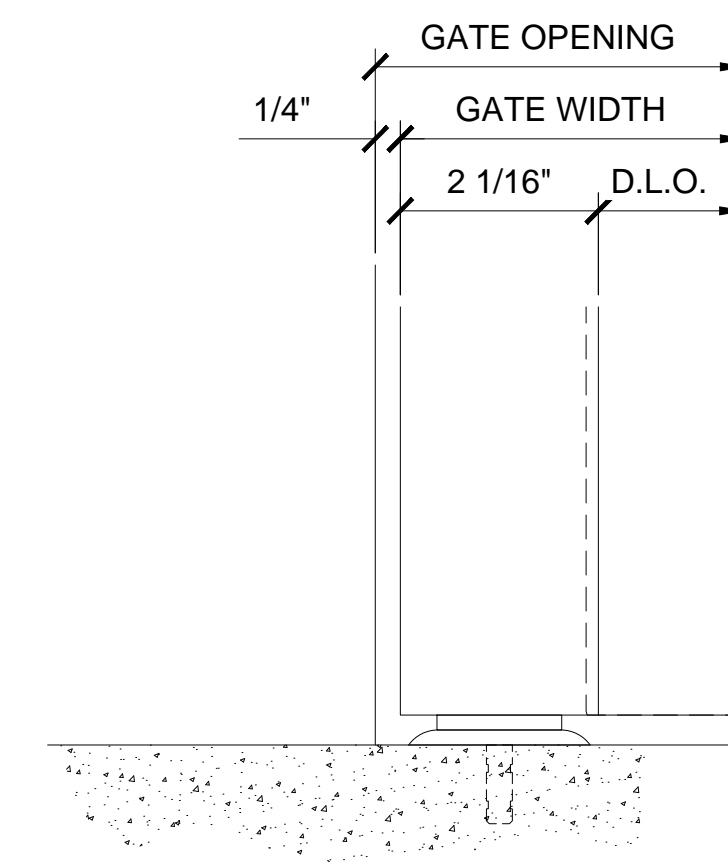
2 GLASS GATE TOP SECTION DETAIL
1/2" (12MM) CLEAR TEMPERED GLASS / GLASS MOUNT



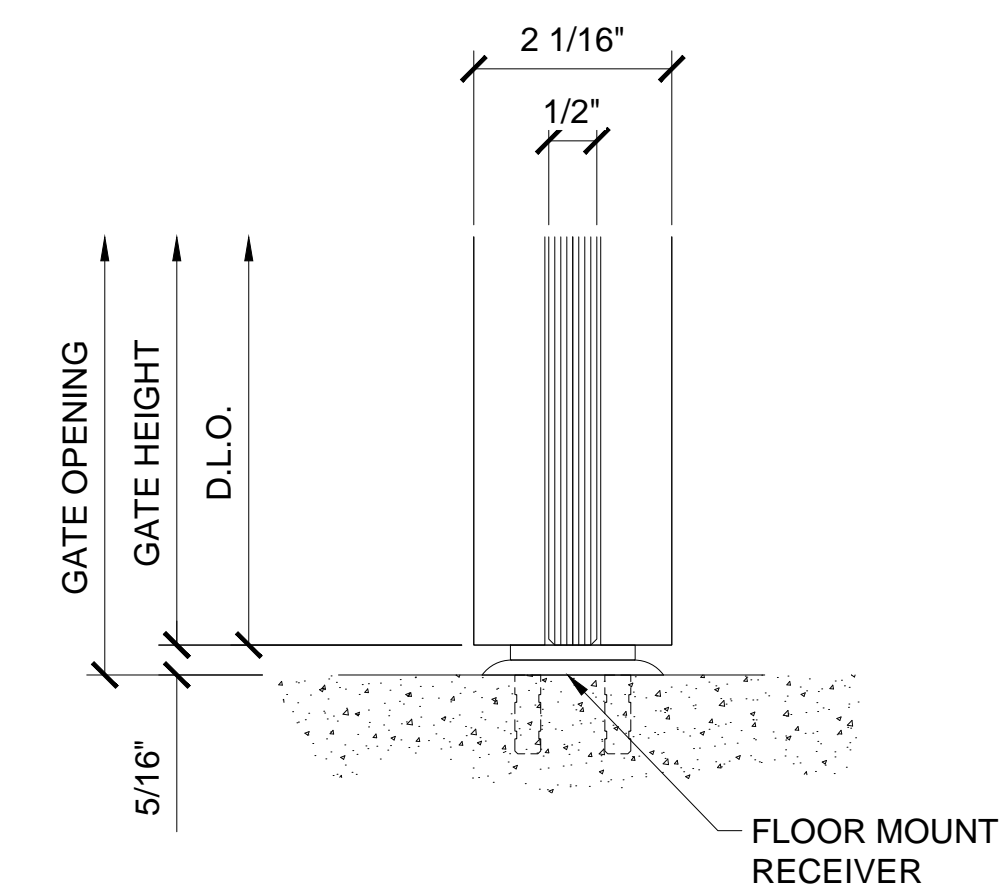
3 PIVOT POST SECTION DETAIL
2 1/16" Ø S/S PIVOT POST BRUSHED OR POLISHED FINISH



4 GLASS STRIKE SECTION DETAIL
1/2" (12MM) CLEAR TEMPERED GLASS



5 BOTTOM GLASS & PIVOT POST ELEVATION DETAIL
2 1/16" Ø S/S PIVOT POST BRUSHED OR POLISHED FINISH



6 BOTTOM GLASS GATE SECTION DETAIL
1/2" (12MM) CLEAR TEMPERED GLASS

CRL GRS 1202 SERIES "TYPE G4" GLASS TO GLASS MOUNTED SWINGING GLASS GATE KIT

1/2" (12MM) TEMPEERED GLASS (INCLUDED WITH KIT)

CRL 1202 "TYPE G4" STANDARD GATE KITS:

CAT. NO	FINISH	SIZE	FITS OPENING	CLEAR OPENING*
1202G442BS	BRUSHED S/S	36" X 42"	36" WIDTH	33-11/16" WIDTH
1202G442PS	POLISHED S/S	36" X 42"	36" WIDTH	33-11/16" WIDTH

(* WHEN GATE OPEN AT 90°)

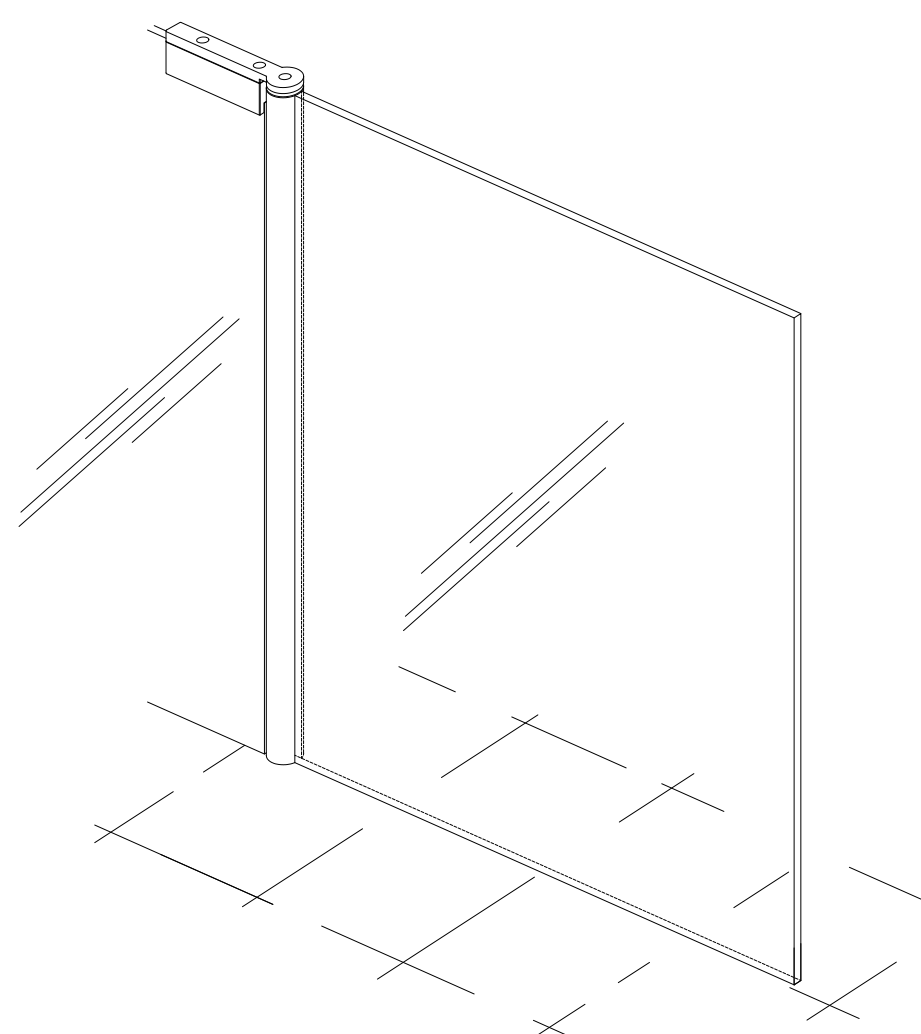
CRL 1202 "TYPE G4" CUSTOM GATE KITS:

CAT. NO	FINISH	SIZE
1202G4BSC	BRUSHED S/S	PER CUSTOMER SPECIFICATIONS
1202G4PSC	POLISHED S/S	PER CUSTOMER SPECIFICATIONS

MAXIMUM RECOMMENDED GATE SIZE IS 40" X 72"

"TYPE G4" STANDARD GATE KIT INCLUDES:

- (1) S/S GLASS TO GLASS TOP PATCH WITH GATE PIVOT BAR
- (1) 2 1/16" Ø S/S CLAD PIVOT POST W/ IN RAIL CLOSER AND FLOOR MOUNT RECEIVER
- (1) 1/2" (12MM) CLEAR TEMPERED GLASS



* BEAUTIFUL IN DESIGN AND FUNCTIONAL IN OPERATION

* UNIQUE CONCEALED CLOSING DEVICE LOCATED IN VERTICAL PIVOT POST

* ROUND VERTICAL EDGE GATE PIVOT PREVENTS FINGER PINCH

* DOUBLE ACTING, NO HOLD OPEN DESIGN

* GATE CENTERING ADJUSTMENT PROVIDES 10 DEGREES OF ALIGNMENT

* STAINLESS STEEL, BRUSHED OR POLISHED FINISHES

* 1/2" (12MM) TEMPERED GLASS (INCLUDED WITH KITS)

* CUSTOM MOUNTING OPTIONS AND SIZES ALSO AVAILABLE

* STANDARD GATE KIT IS 36"(W) X 42" (H)

*RECOMMENDED MAXIMUM GATE SIZE IS 40" (W) X 72" (H), MAY REQUIRE GLASS REINFORCEMENT

Revisions By:

Description:
CRL GRS 1202 SERIES
SWINGING GLASS
GATE SYSTEMS

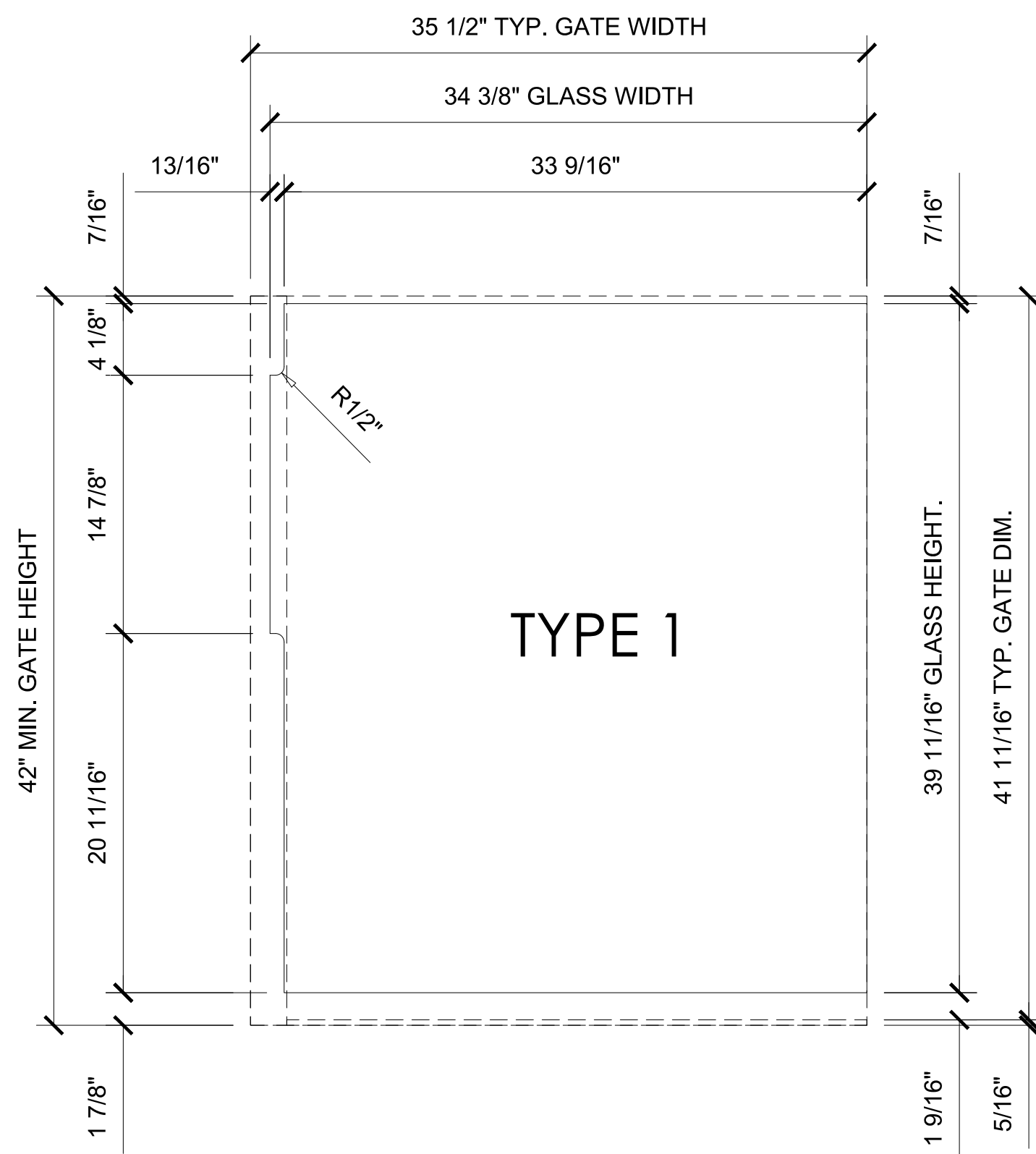
Drawn By: VM
Date: 12/02/2013
Scale: 3/4" = 1'-0"
File Name: CRL GRS 1202 GS.dwg

Sheet

G4

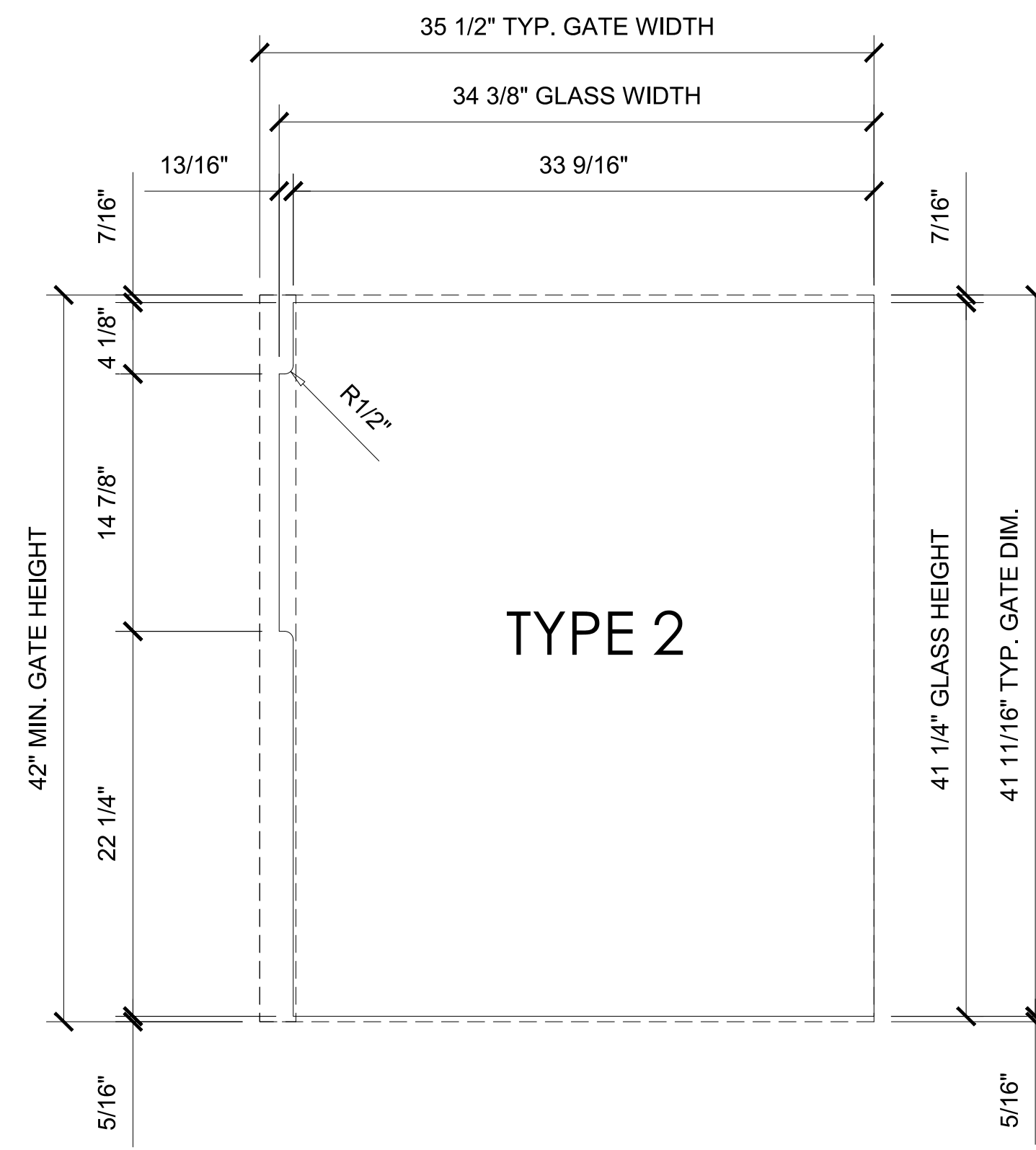
CRL GRS 1202 SERIES SWINGING GLASS GATE SYSTEM

4 STANDARD GLASS TEMPLATES



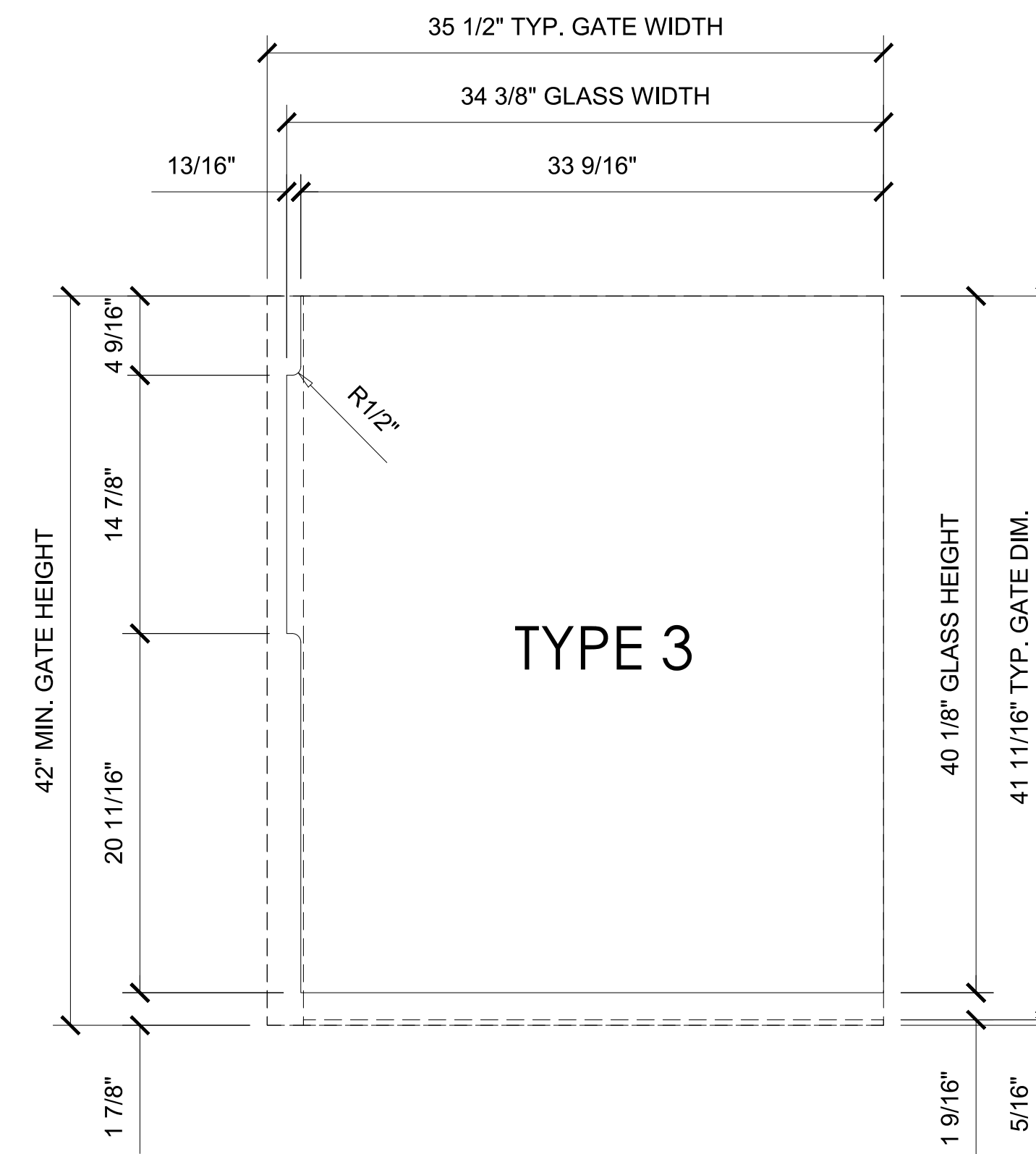
CRL GRS 1202 "TYPE 1" GATE

STANDARD GLASS TEMPLATE
TOP AND BOTTOM RAIL



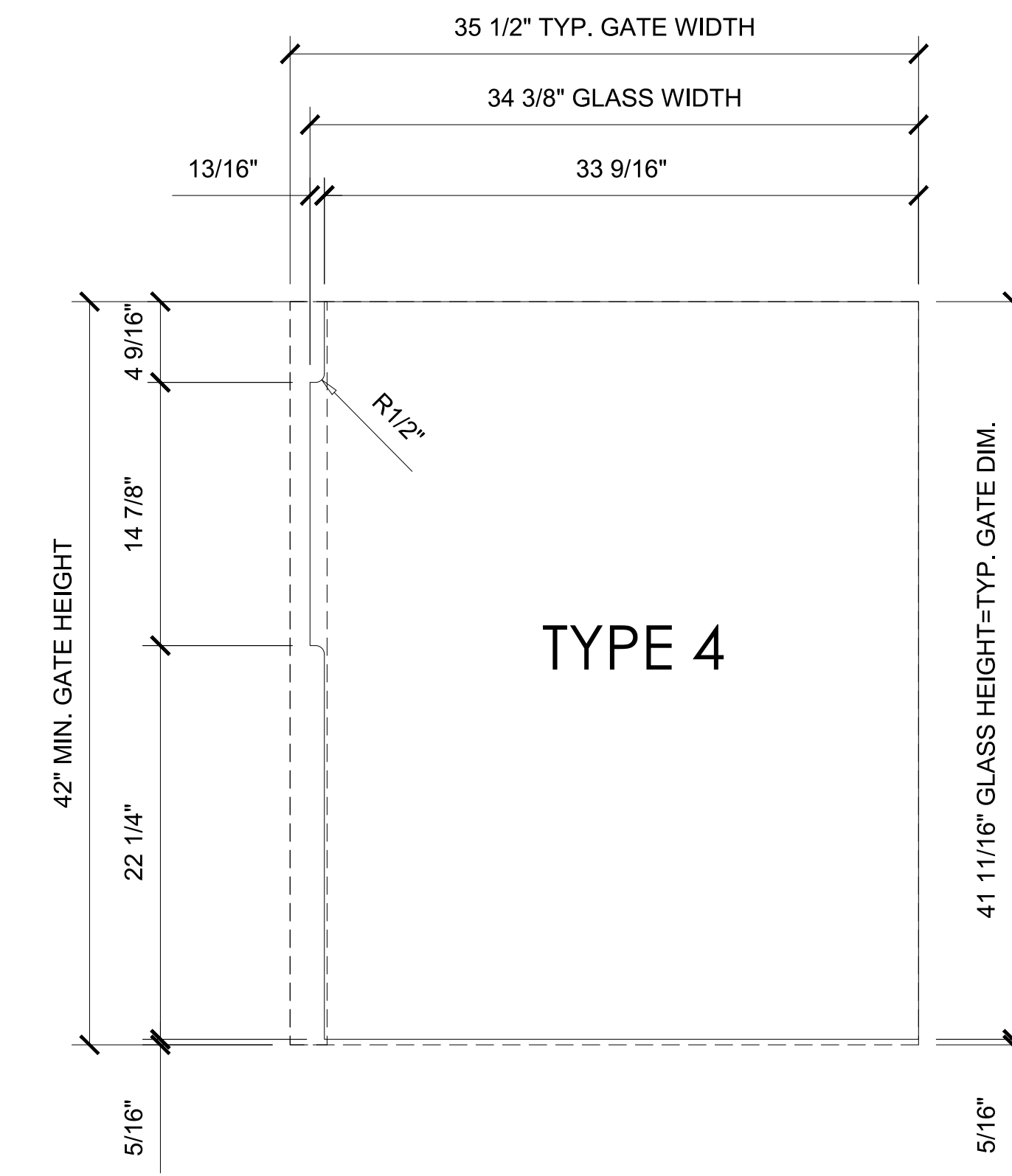
CRL GRS 1202 "TYPE 2" GATE

STANDARD GLASS TEMPLATE
TOP RAIL ONLY



CRL GRS 1202 "TYPE 3" GATE

STANDARD GLASS TEMPLATE
BOTTOM RAIL ONLY



CRL GRS 1202 "TYPE 4" GATE

STANDARD GLASS TEMPLATE
ALL GLASS NO RAILS

Revisions By:

Description:
CRL GRS 1202 SERIES
SWINGING GLASS
GATE SYSTEMS

Drawn By: VM
Date: 12/02/2013
Scale: 3/4" = 1'-0"
File Name: CRL GRS 1202 GS.dwg

Sheet

GT