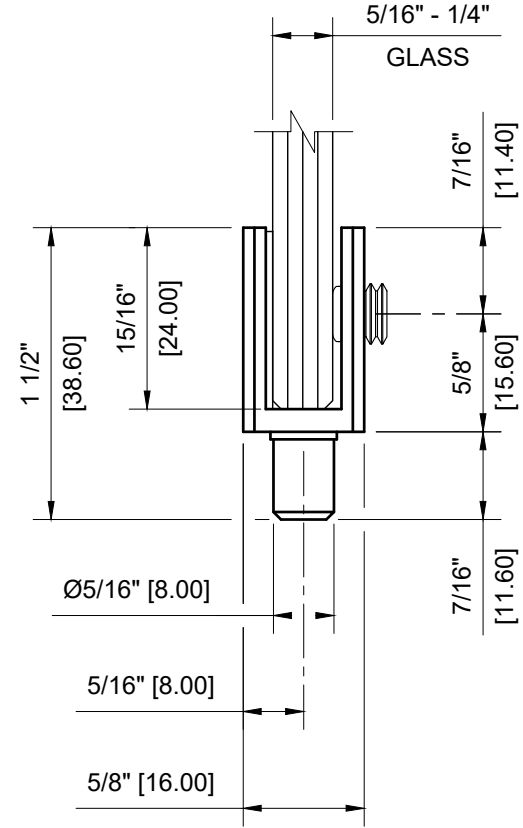
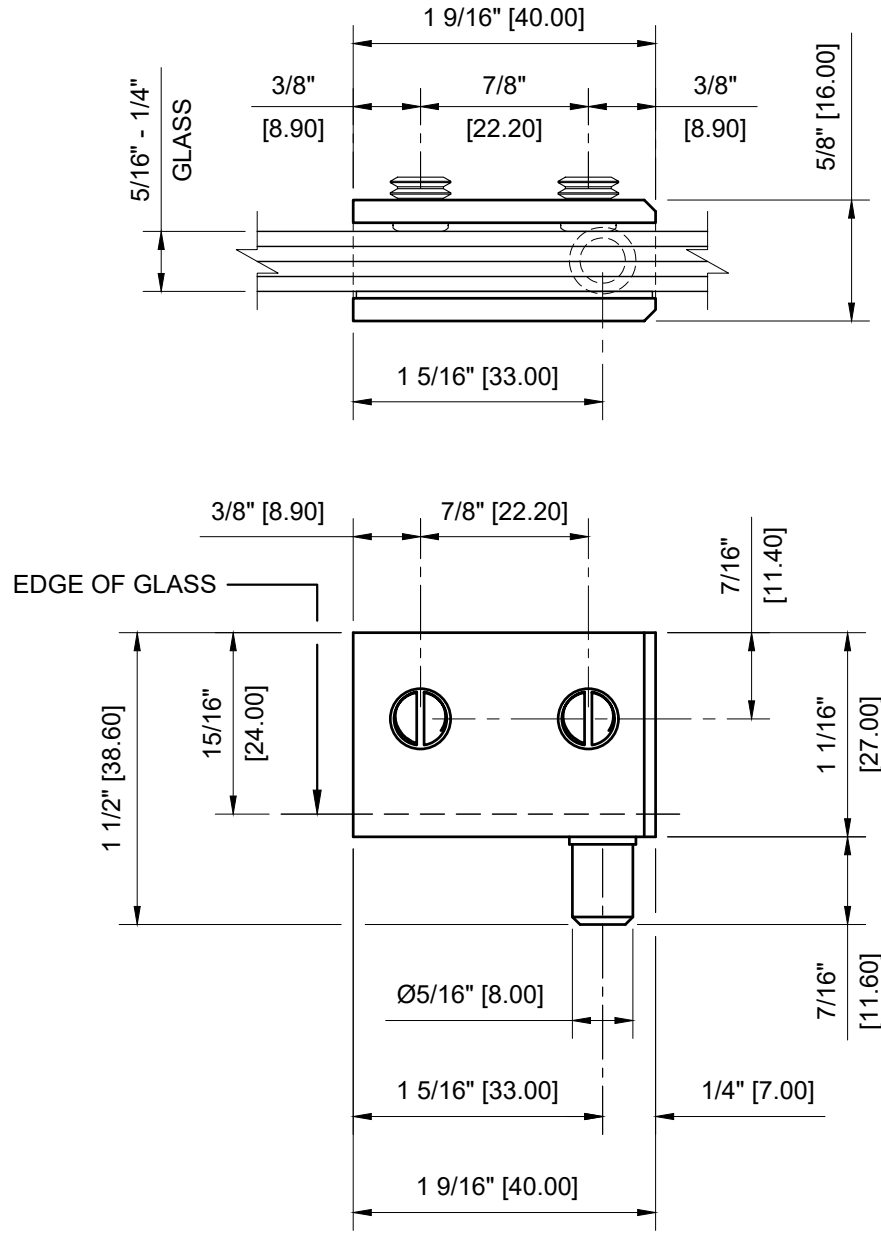


5/16" (8mm) GLASS:
 1/4" (6mm) GLASS:



CRL - EH224 1-1/16" GLASS DOOR AND SHOWCASE PIVOT FOR 1/4" - 5/16" GLASS

C.R. LAURENCE CO. ARCHITECTURAL PRODUCTS
 2503 E. Vernon Avenue, Los Angeles, CA 90058-1897
 PH (800)-421-6144 FX: 800-587-7501 www.crlaurence.com



DESCRIPTION: CRL - EH224 CHROME
 GLASS DOOR PIVOT HINGE

DATE: 8-10-2020
 SCALE: 1'-0"=1'-0"
 DRAWN BY: VM