

REGAL

Wall Mount Hinge

CAT. NO. REG037

***NOTE:** Do not exceed either maximum weight or width when choosing proper quantity of hinges.

Important Information:

- 1). This is a one-direction hinge and is designed for an outswing application only. A door strike is required so the door isn't allowed to swing inward and damage the door glass.
- 2). This hinge comes equipped with a self-centering mechanism that is fully adjustable. By loosening the Allen head screw that serves as part of the pivot barrel, the hinge's self-centering position can be altered. Simply loosen the Allen screw and swing the door to the desired position. Now tighten the Allen screw, and you have established a new-centering position.
- 3). Changing the angle alters the location of the holes to be drilled in the glass! Before fabricating the glass to any other angle than what's shown, consult with C.R. Laurence's Technical Sales Department: In the United States and Canada call (800) 421-6144. Press 2, then option 1

Specifications:

Glass Sizes:	5/16" (8mm) to 3/8" (10mm) thick tempered safety glass	
Construction:	Solid brass	
Closing Type:	Self-centering when within 15° of closed position	
Cutout Required		
Includes:	Gaskets, screws and template	

Maximum Door Capacities for Two Hinges or Three Hinges

Maximum Door Weight:	90 lbs.(41 kg)	130 lbs.(59 kg)
Maximum Door Width:	30"(762mm)	34"(864mm)

Use of Gaskets:

- For 5/16"(8mm) Glass: Use one thick gasket on each side
 For 3/8"(10mm) Glass: Use one thin gasket on each side

Recommendations:

For public safety, we recommend the use of only tempered safety glass. Do not use power tools when installing these hinges.

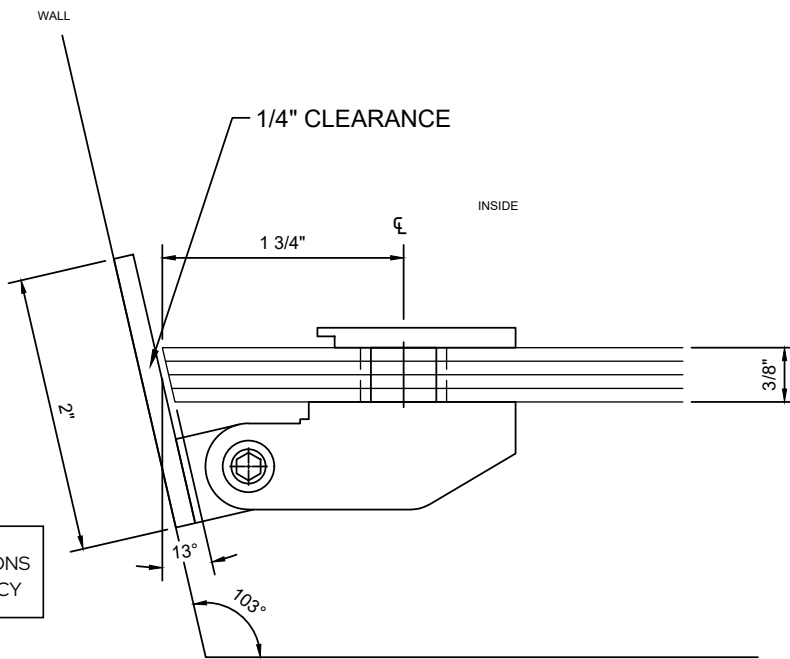
Maintenance Guidelines:

- Never use an abrasive cleaner on the hardware. Many of the components are coated with a clear lacquer that will be irreparably damaged if subjected to harsh, abrasive chemicals. Advise your customer that drying the hardware with a clean, soft towel on a daily basis is the best way to maintain the hardware. If mineral deposits build-up, mix a couple of drops of a mild liquid soap (such as Ivory or a similar product) into a cup of warm water. Using a soft, non-abrasive cloth, clean the hardware. Rinse thoroughly with clean, warm water and dry.

IMPORTANT: Project measurements from the edge of the glass.

Important Information:

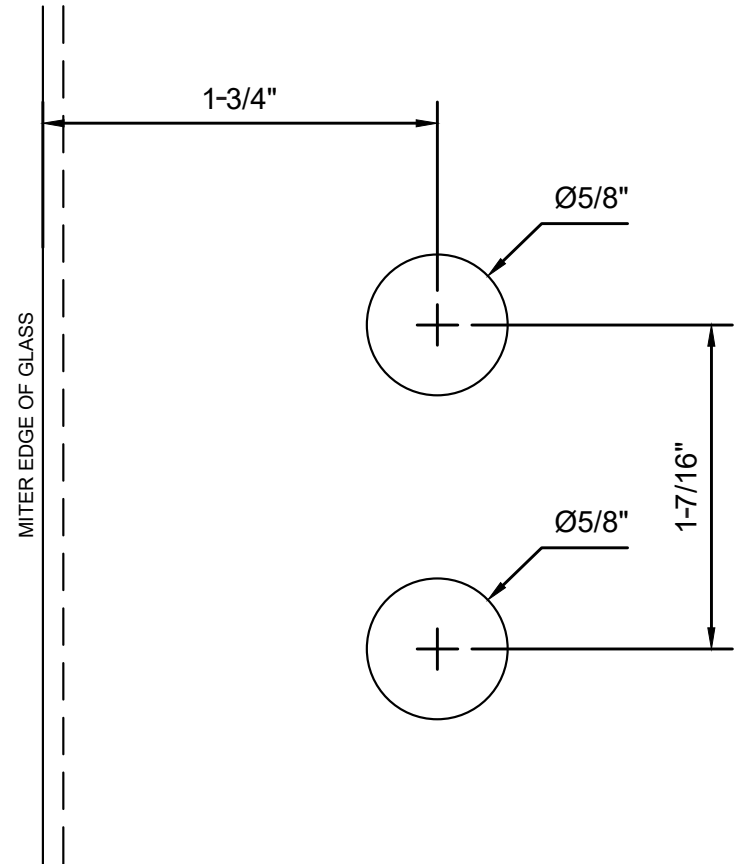
Changing the angle alters the location of the holes to be drilled in the glass. Before fabricating the glass to any other angle than what's shown, consult with C.R. Laurence's Technical Sales Department: In the United States and Canada call (800) 421-6144 Press 2, then option 1

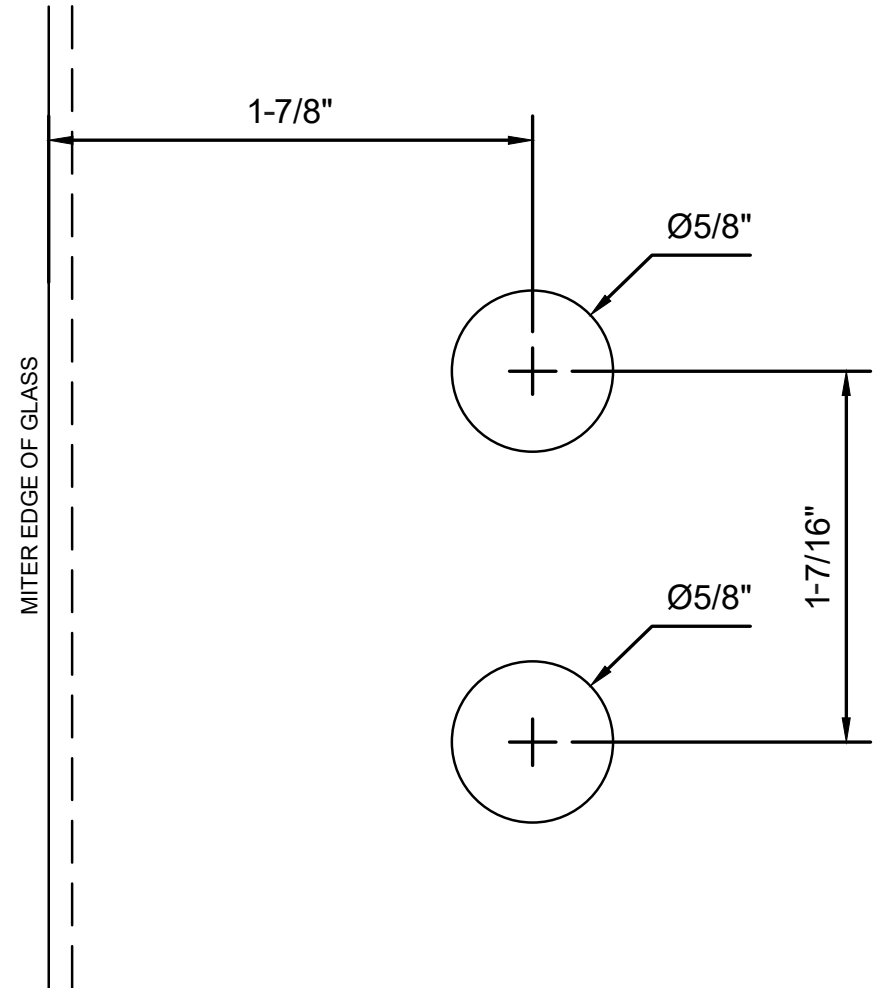
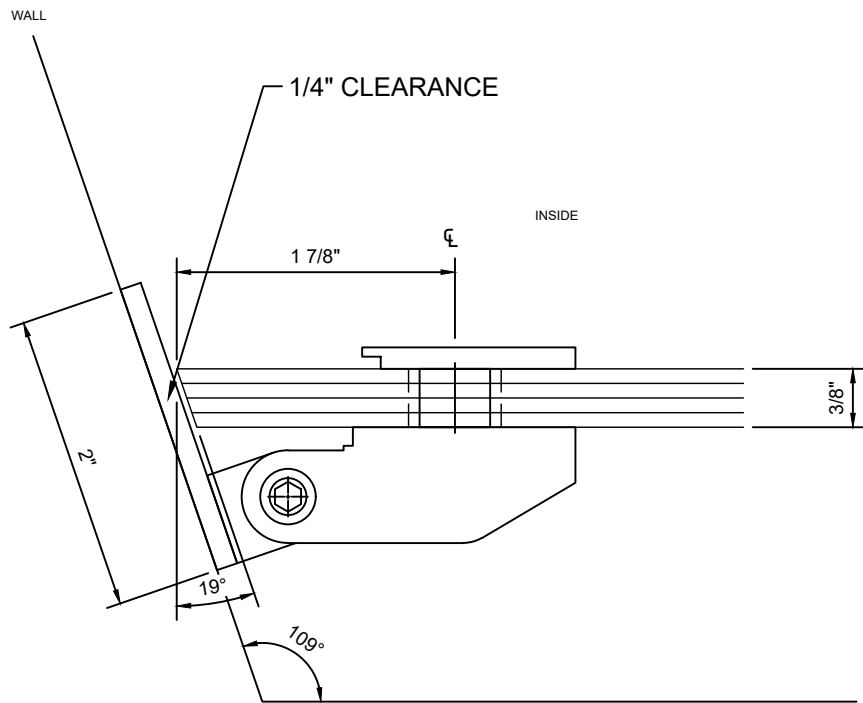


ALWAYS USE DIMENSIONS TO ENSURE ACCURACY

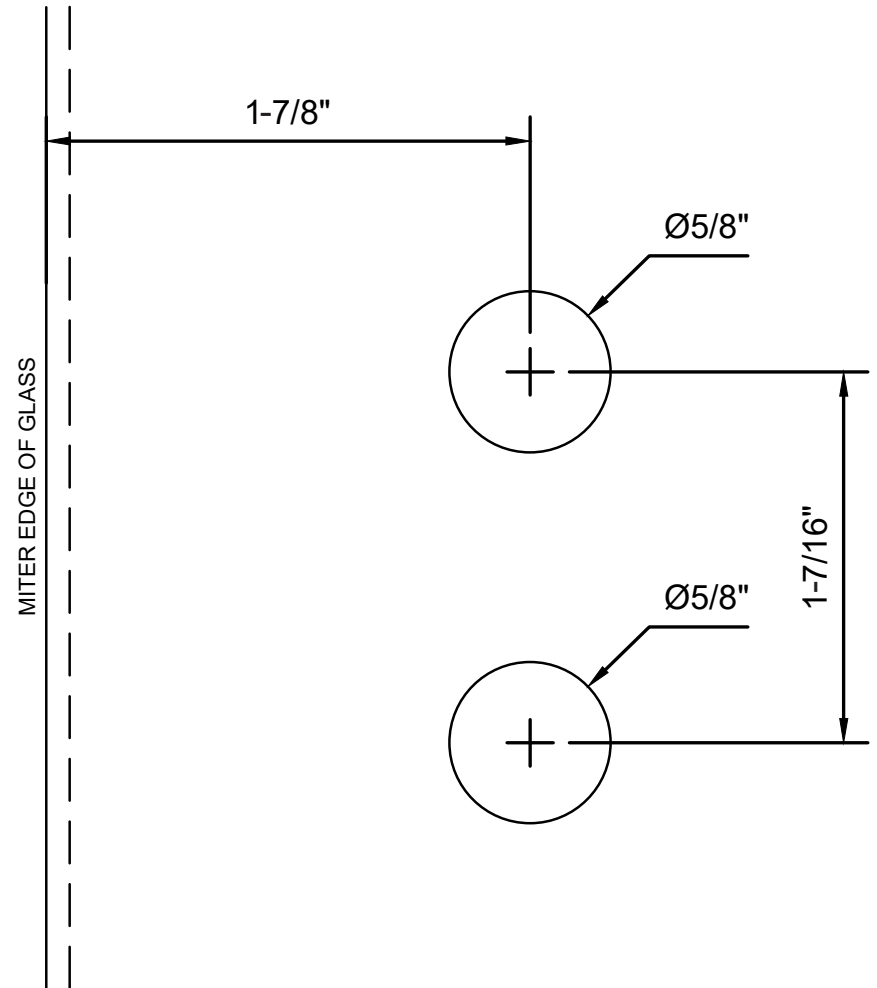
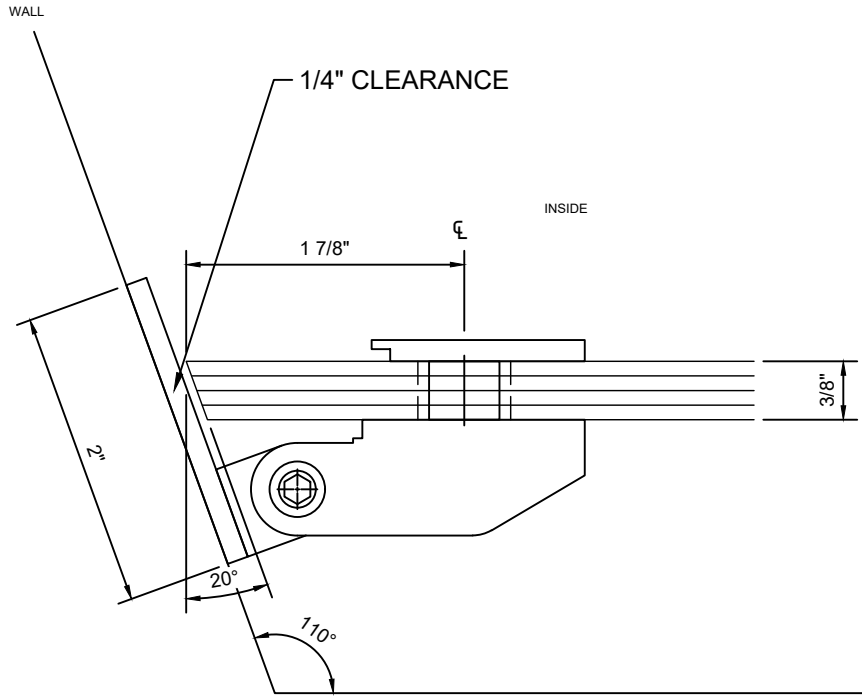
REGAL

Wall Mount Hinge
CAT. NO. REG037

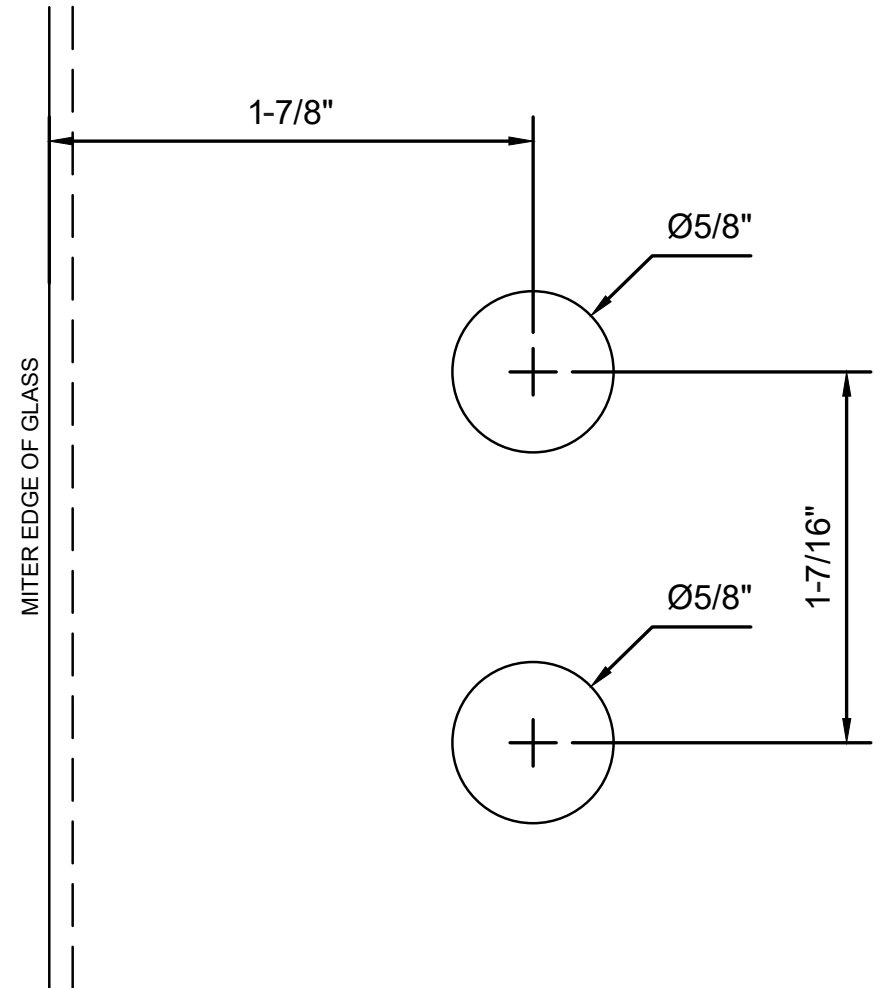
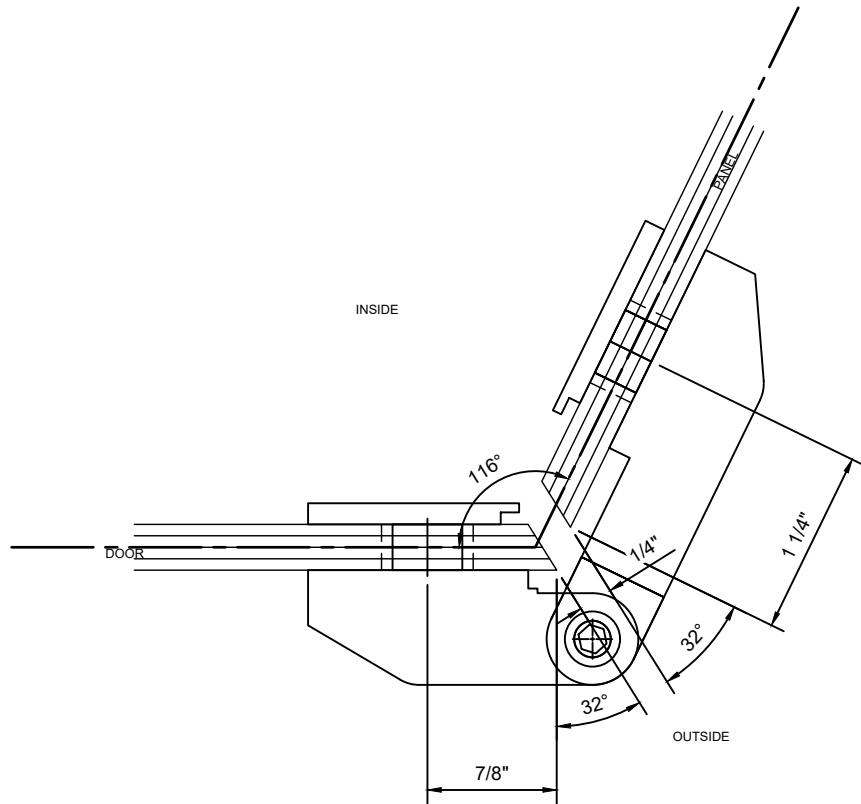




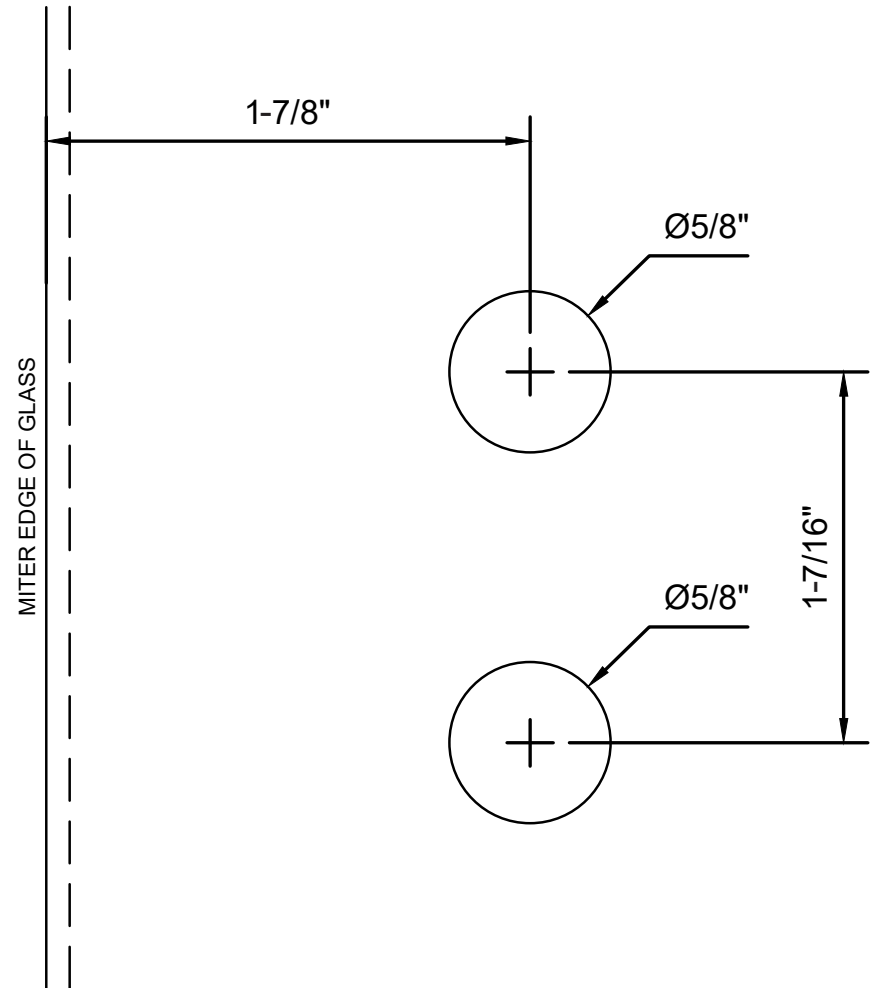
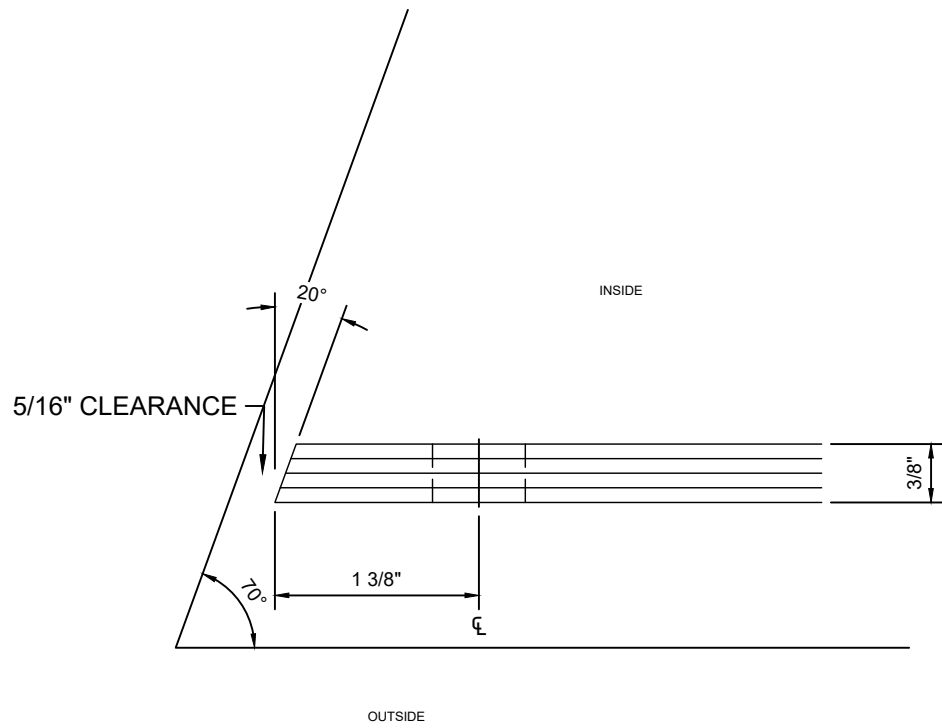
REGAL
Wall Mount Hinge
CAT. NO. REG037



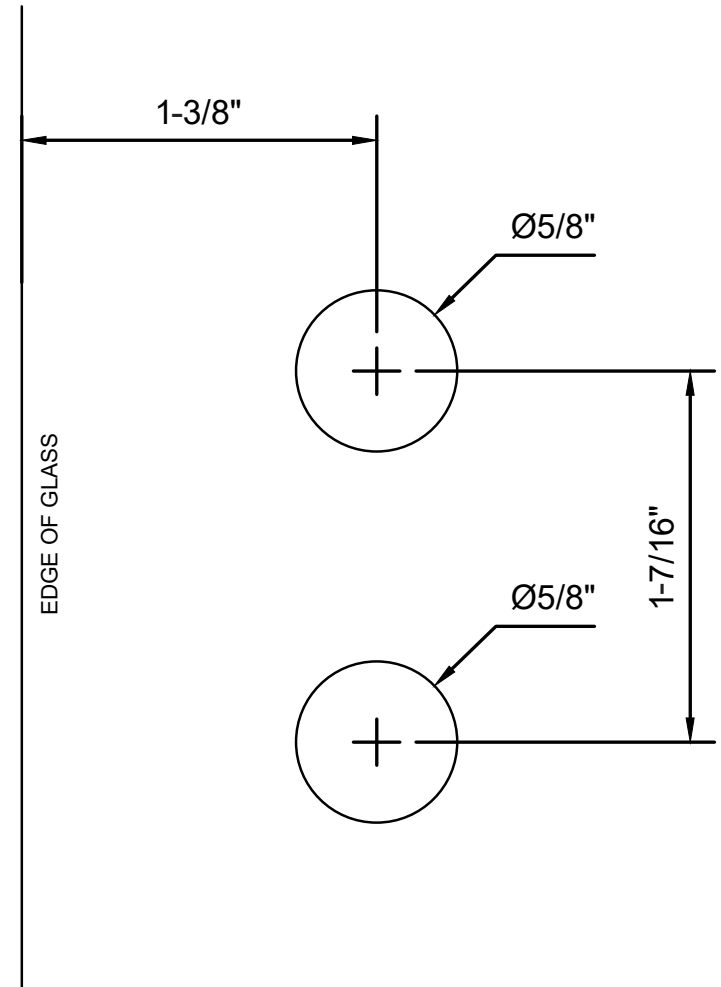
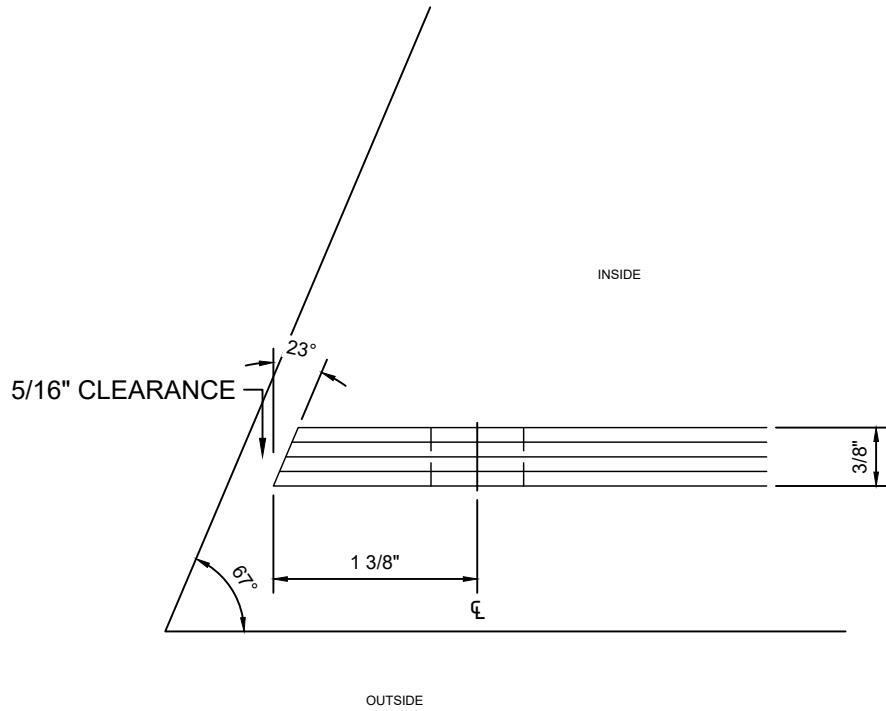
REGAL
Wall Mount Hinge
CAT. NO. REG037



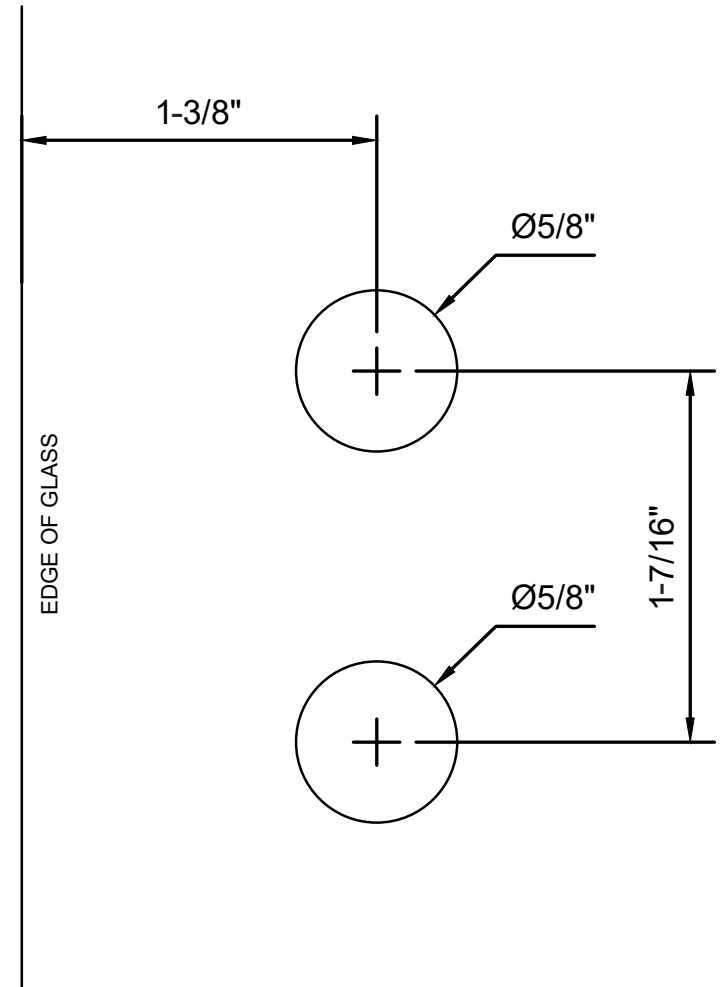
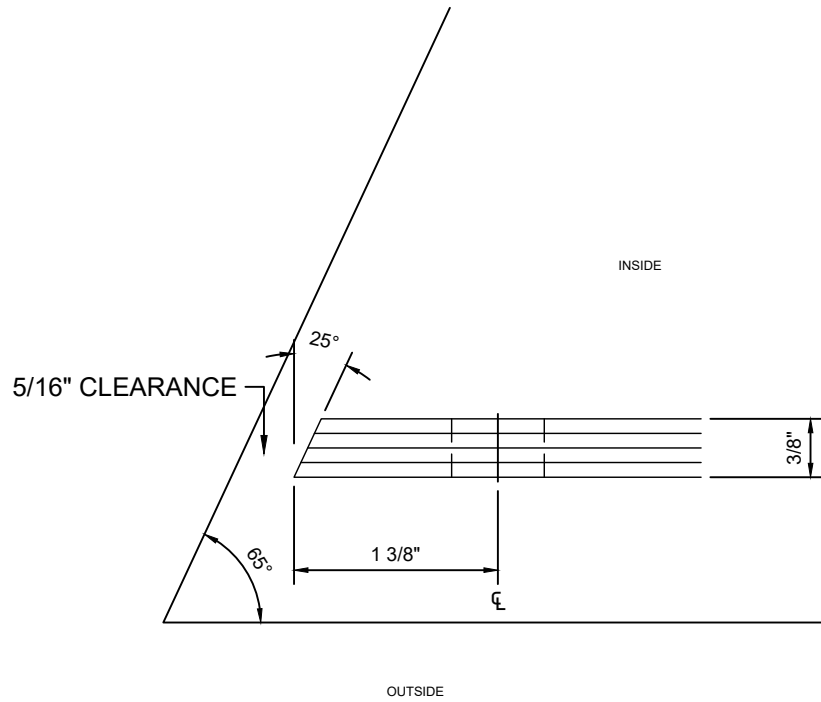
REGAL
Wall Mount Hinge
CAT. NO. REG037



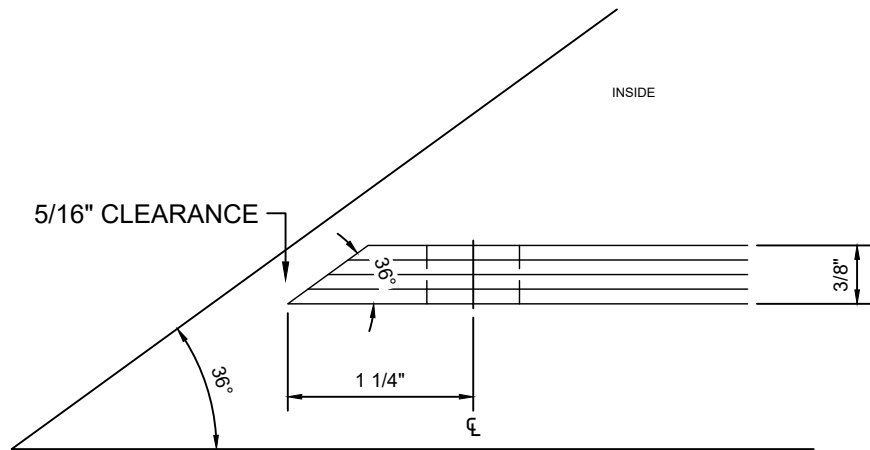
REGAL
 Wall Mount Hinge
 CAT. NO. REG037



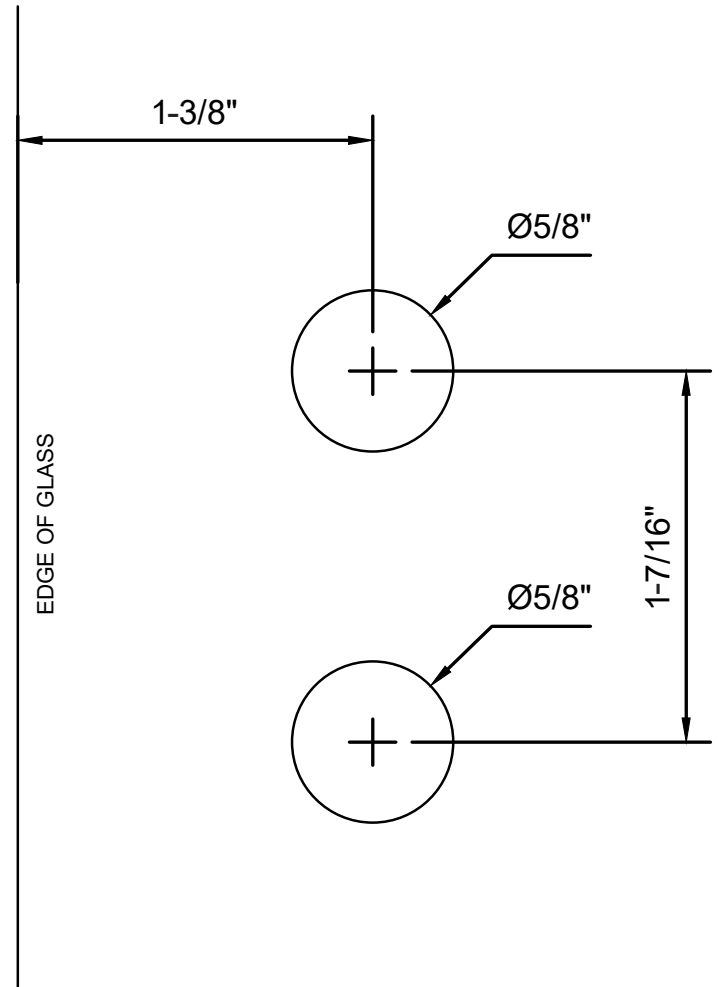
REGAL
Wall Mount Hinge
CAT. NO. REG037

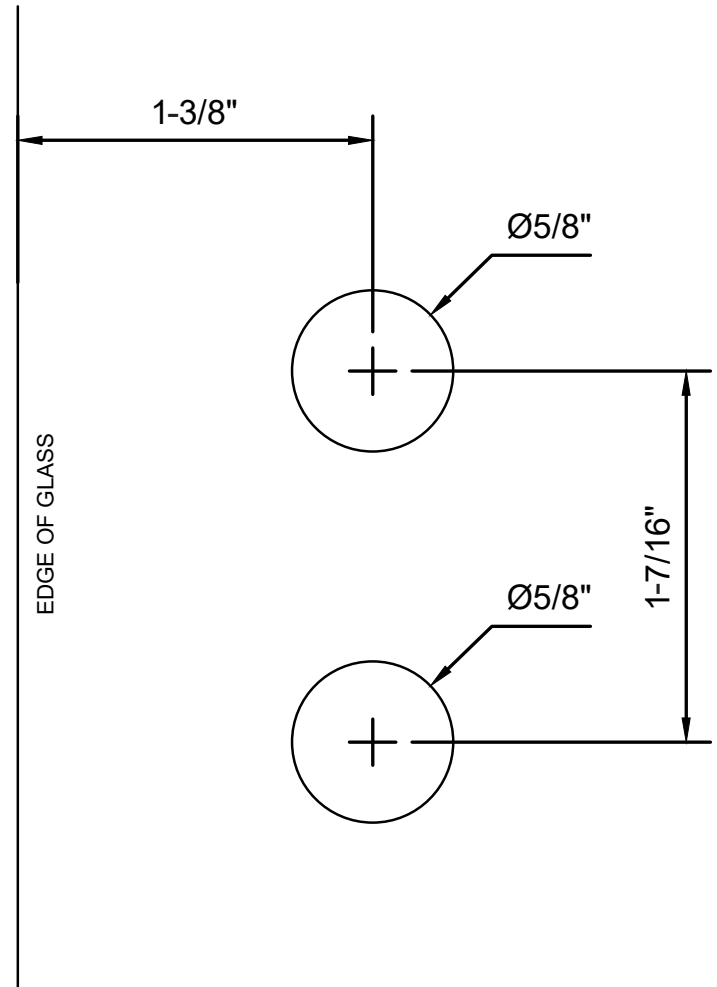
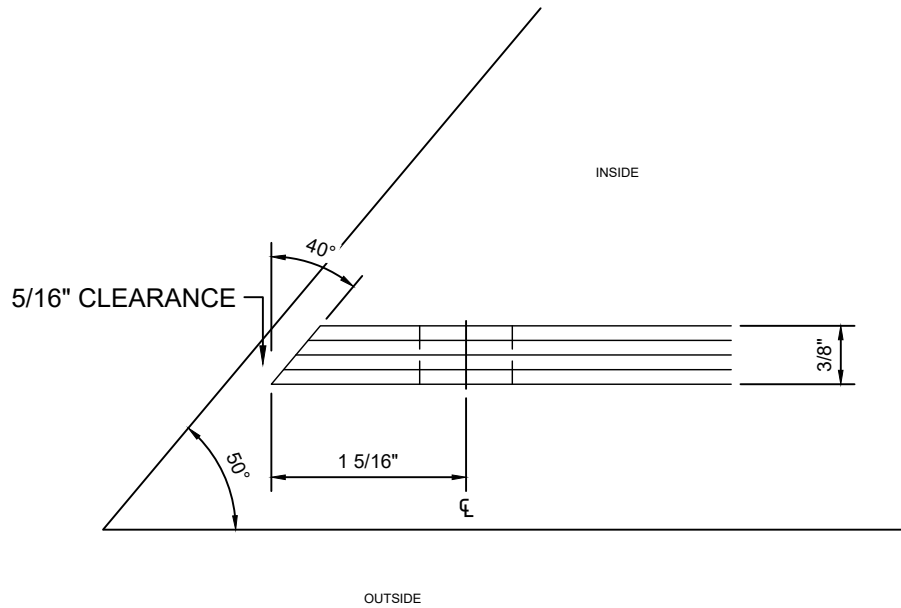


REGAL
Wall Mount Hinge
CAT. NO. REG037

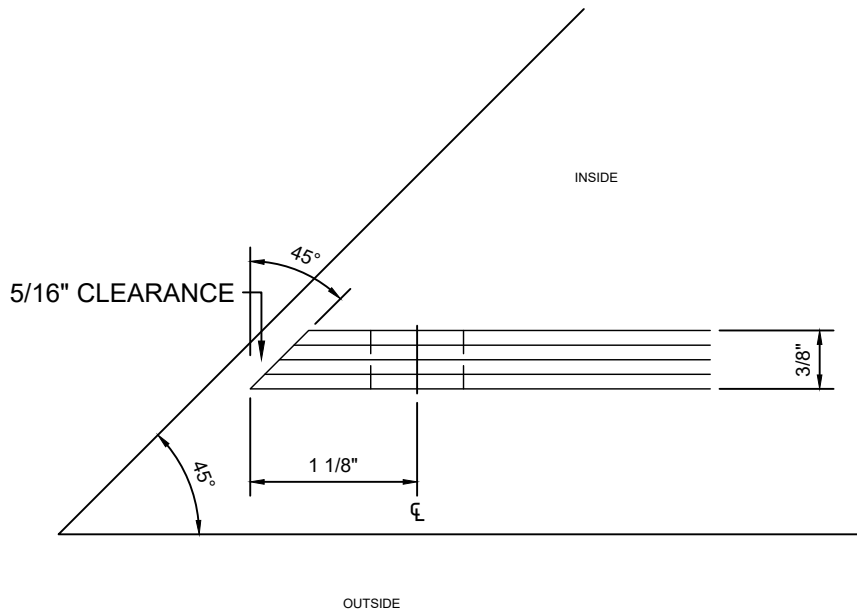


REGAL
 Wall Mount Hinge
 CAT. NO. REG037

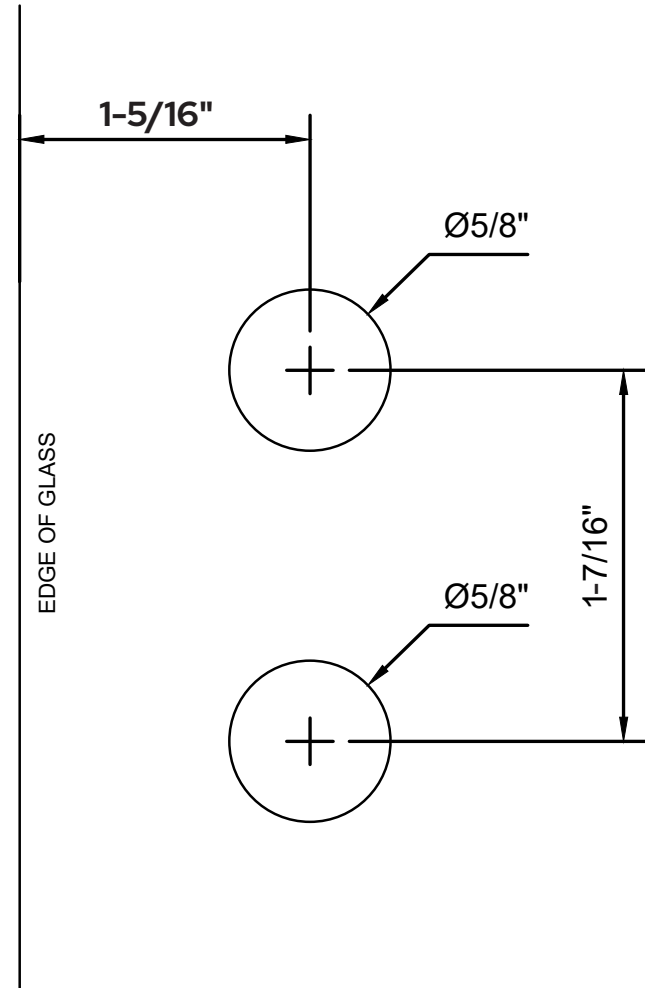


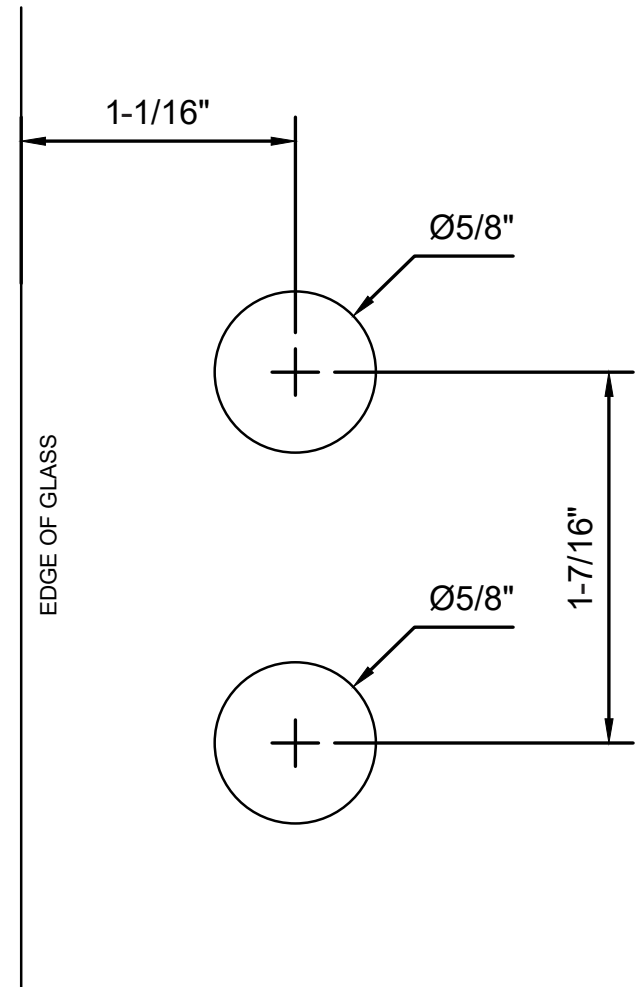
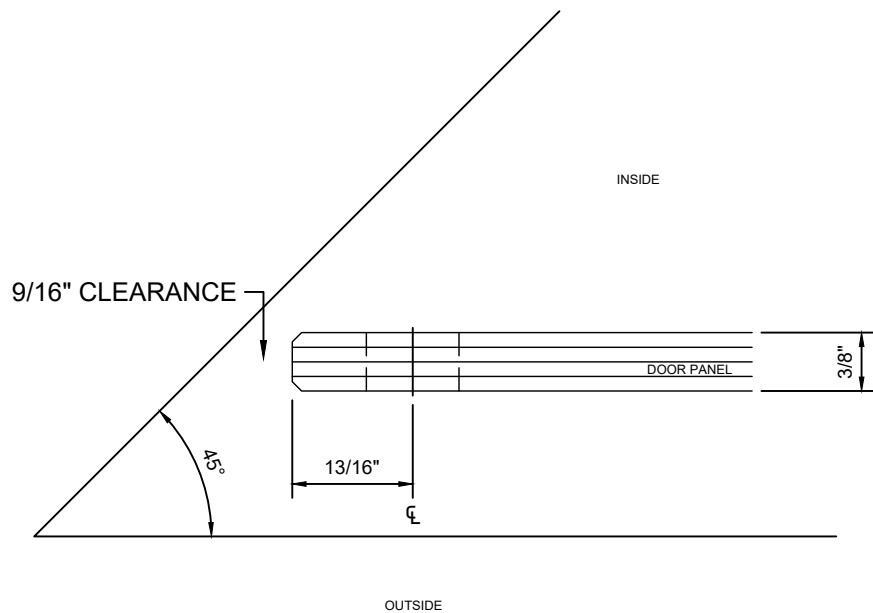


REGAL
Wall Mount Hinge
CAT. NO. REG037

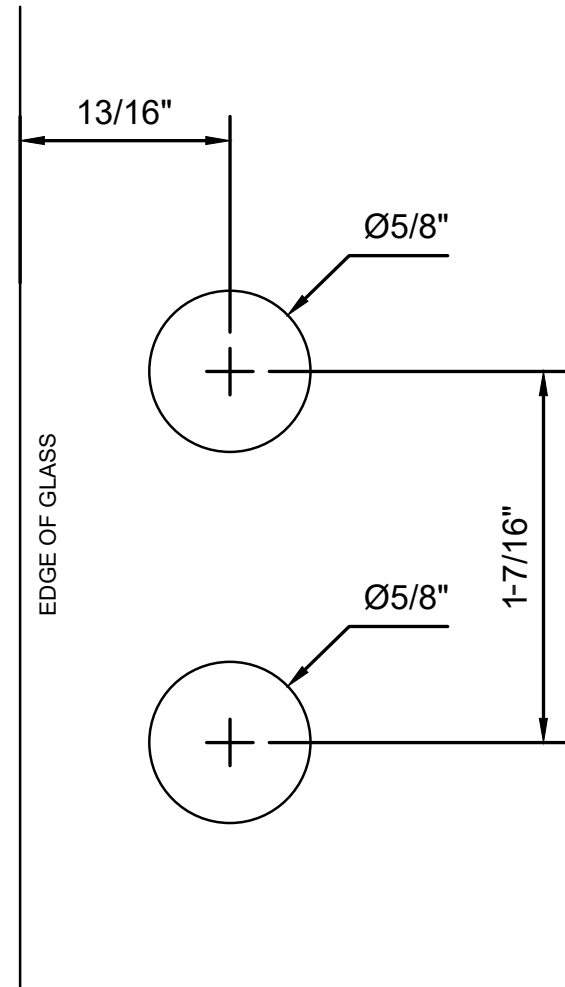
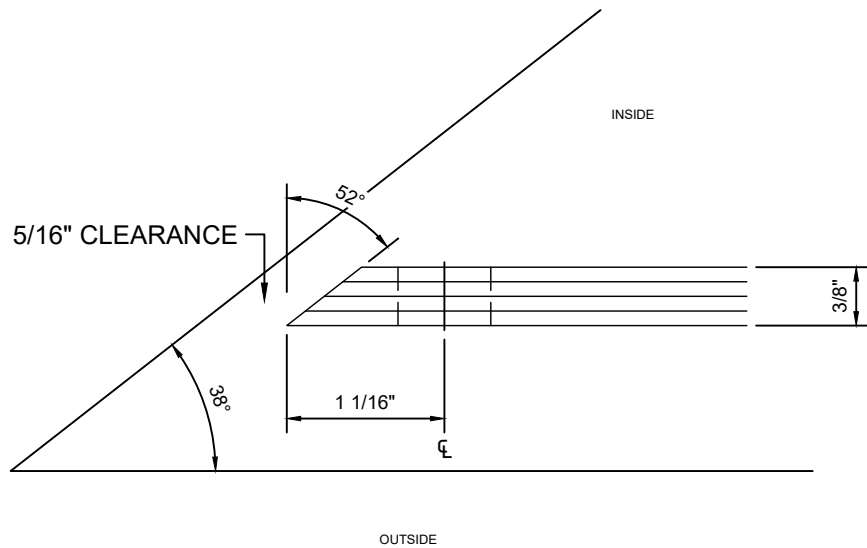


REGAL
 Wall Mount Hinge
 CAT. NO. REG037

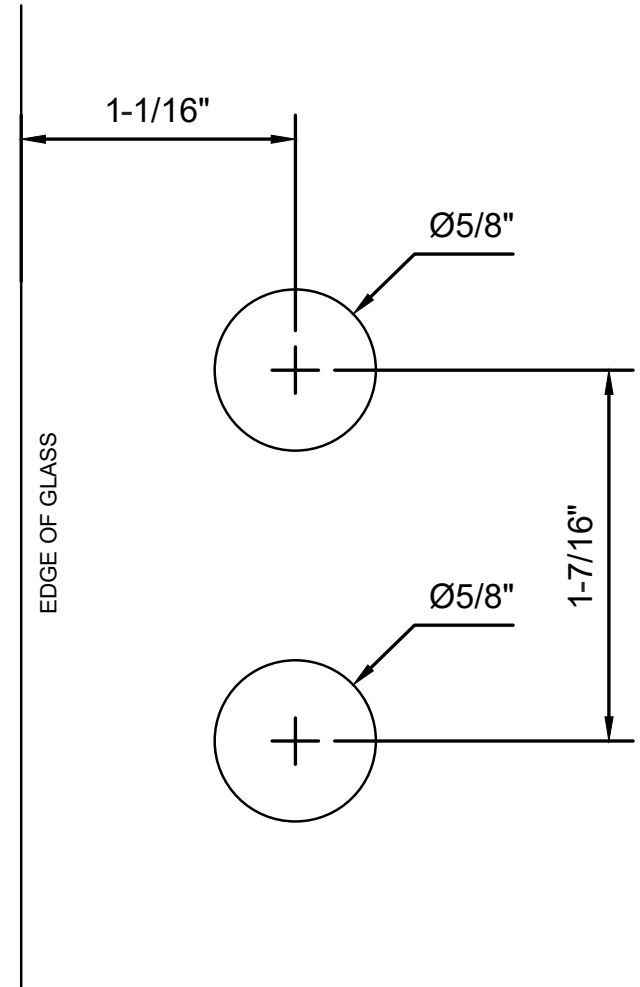
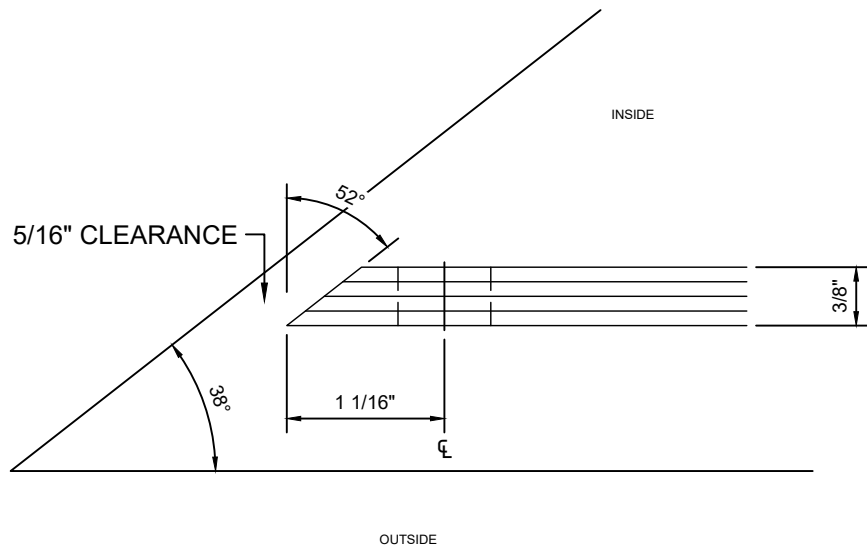




REGAL
 Wall Mount Hinge
 CAT. NO. REG037



REGAL
 Wall Mount Hinge
 CAT. NO. REG037



REGAL
 Wall Mount Hinge
 CAT. NO. REG037