

Revisions By:

CRL

2503 E. Vernon Avenue, Los Angeles, CA 90058-1887
 PH (800)-421-6144 FX: 800-587-7501 www.crlaurence.com

Description:
 CRL P2-SERIES
 POST RAILING SYSTEMS
 SYS0071B

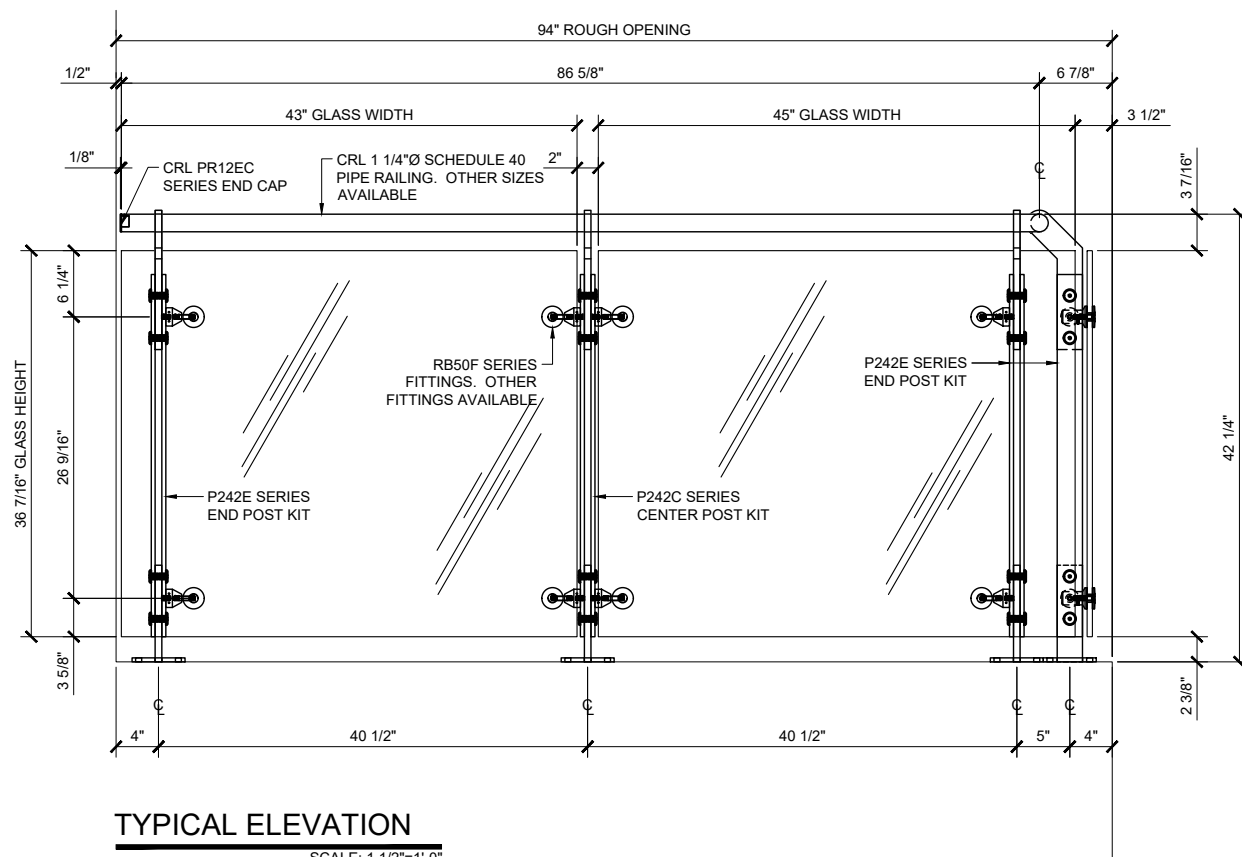
Drawn By: SDH
 Date: 03/08/2017
 Scale: AS NOTED
 File Name:
 SYS0071B P2 Series Stainless Steel Post Railing Systems

Sheet

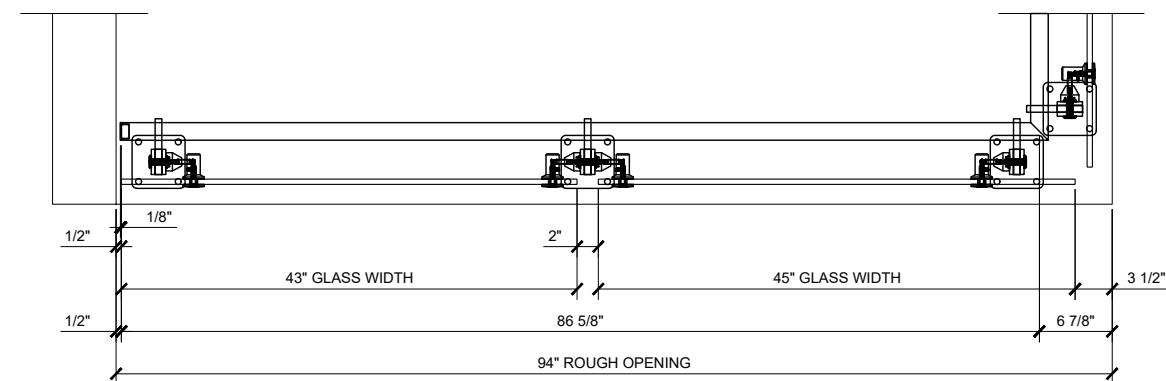
1.01

CRL P2 SERIES POST RAILING SYSTEM

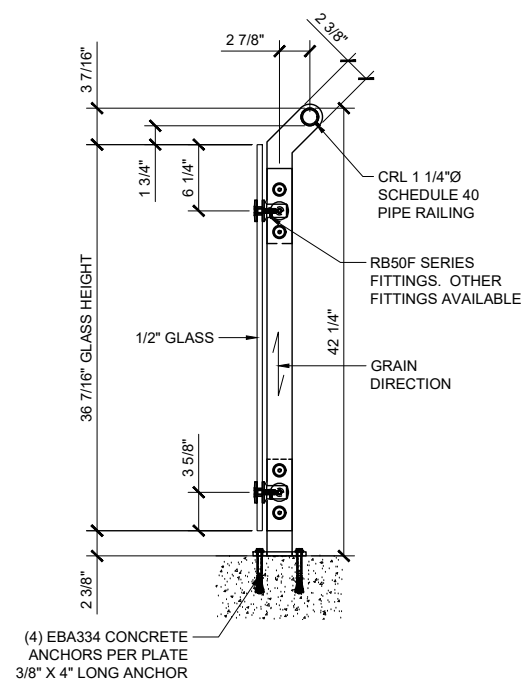
- * DESIGNED TO ACCEPT 1/2" TO 27/32" TEMPERED GLASS
- * POST SUPPORTS 1 1/4"Ø SCHEDULE 40 (1.66" O.D.) PIPE RAILING
- * 36" AND 42" STANDARD POST HEIGHTS WITH CUSTOM HEIGHTS AVAILABLE
- * TWO STANDARD STAINLESS STEEL FINISHES WITH CUSTOM POWDER PAINT FINISHES ALSO AVAILABLE



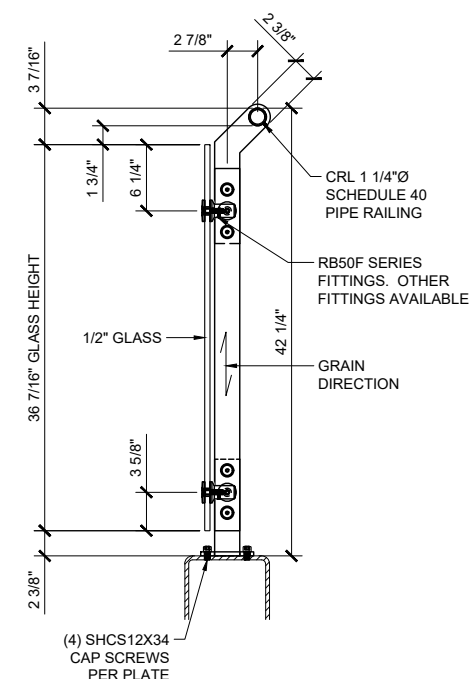
TYPICAL ELEVATION
 SCALE: 1 1/2"=1'-0"



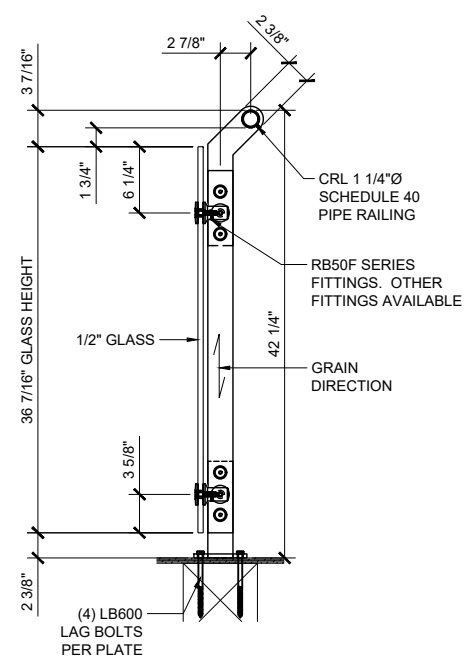
TYPICAL PLAN VIEW
 SCALE: 1 1/2"=1'-0"



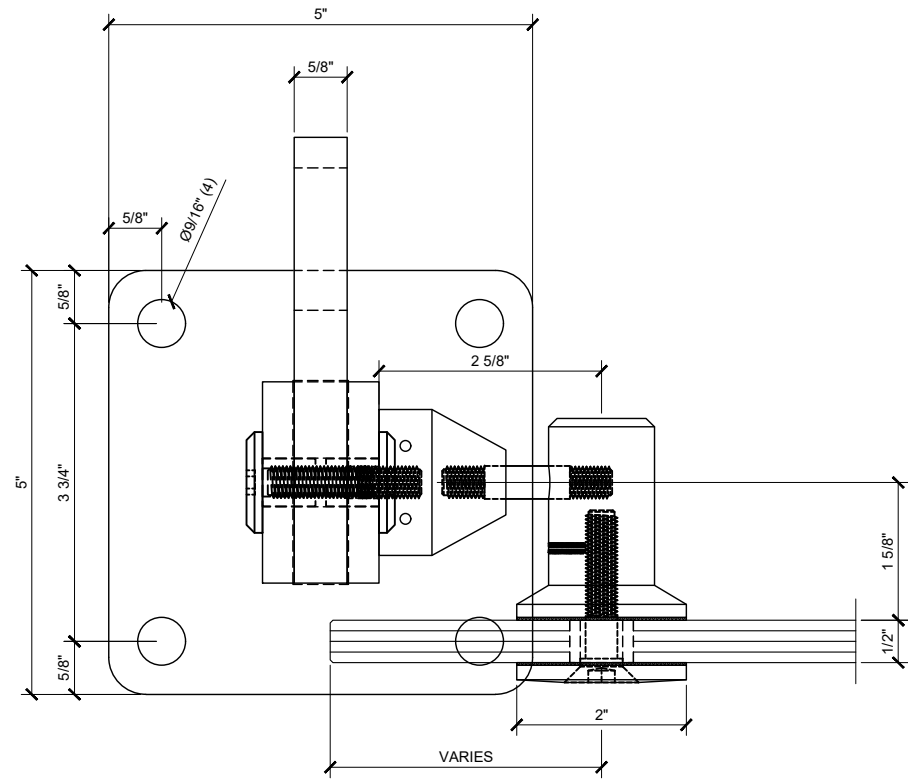
CONCRETE MOUNT
 SCALE: 1 1/2"=1'-0"



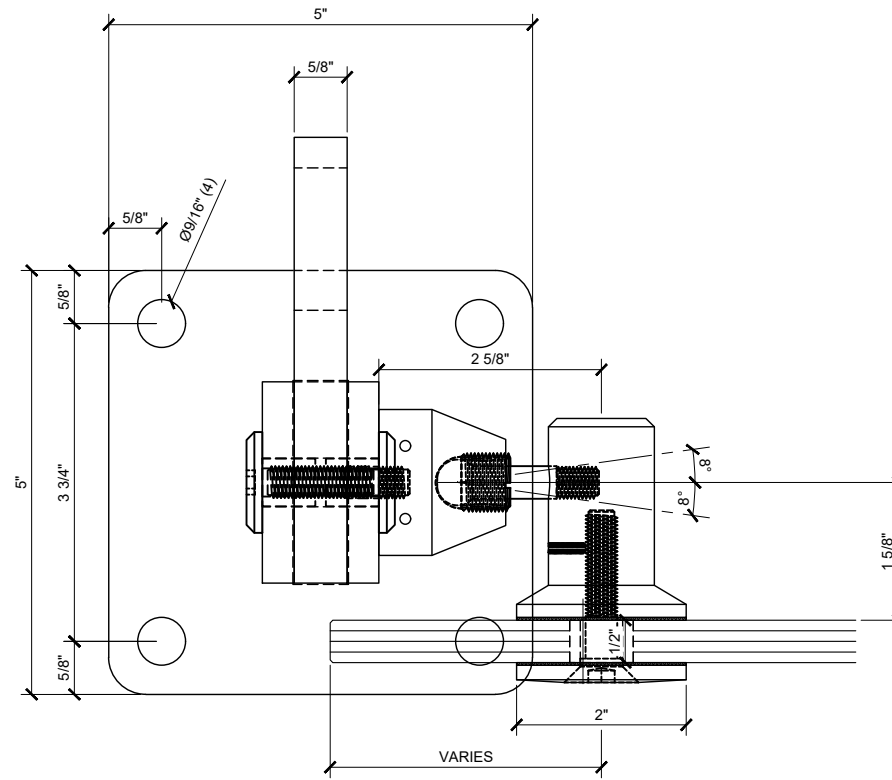
STEEL MOUNT
 SCALE: 1 1/2"=1'-0"



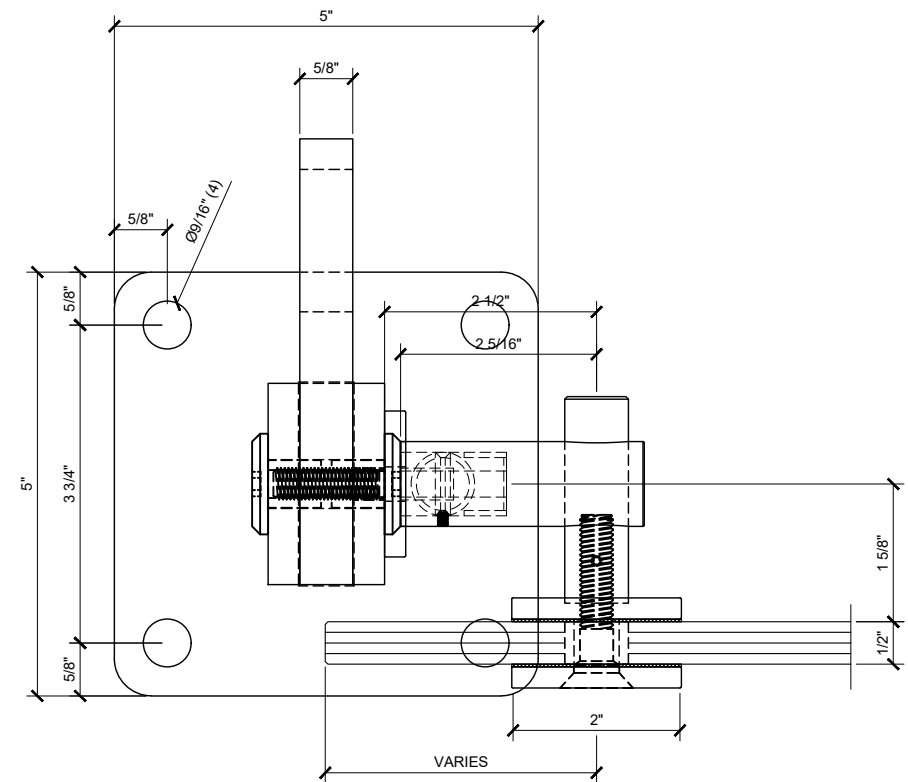
WOOD MOUNT
 SCALE: 1 1/2"=1'-0"



RB50F FIXED FITTING / FLANGE
SCALE: 1'-0"=1'-0"



RB50F SWIVEL FITTING / FLANGE
SCALE: 1'-0"=1'-0"



RB51F FIXED FITTING / FLANGE
SCALE: 1'-0"=1'-0"

Revisions By:

CRL

2503 E. Vernon Avenue, Los Angeles, CA 90058-1887
PH (800)-421-6144 FX: 800-587-7501 www.crlaurence.com

Description:
CRL P2-SERIES
POST RAILING SYSTEMS
SYS0071B

Drawn By: SDH
Date: 03/08/2017
Scale: AS NOTED
File Name:
SYS0071B P2 Series Stainless Steel Post Railing Systems

Sheet
2.01