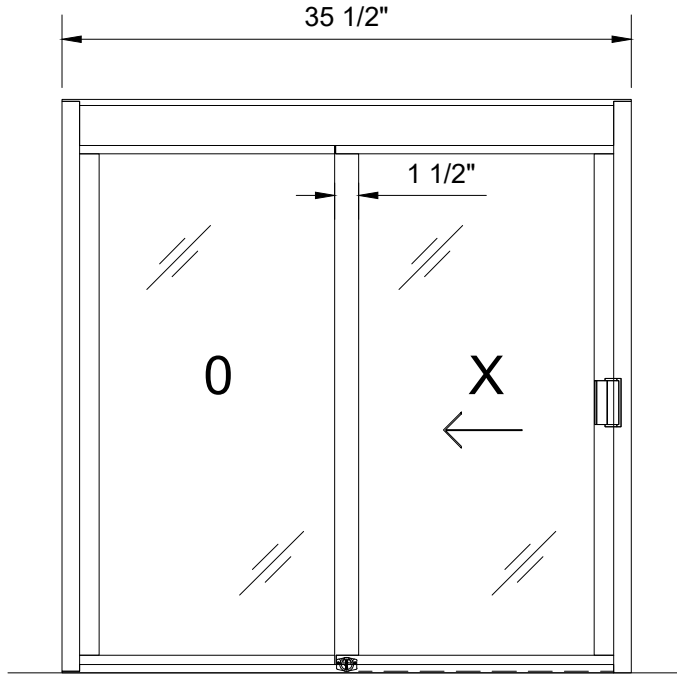


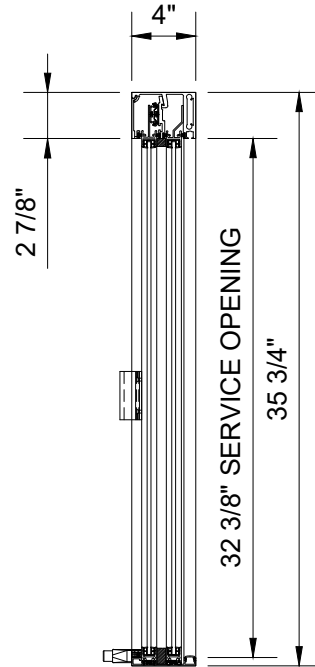
# DW3636OXGA DW3636OXGDU DW3636OXUA DW3636OXUDU DW3636XOGA DW3636XOGDU DW3636XOUA DW3636XOUDU

## One Fixed / One Sliding Panel, No Screen

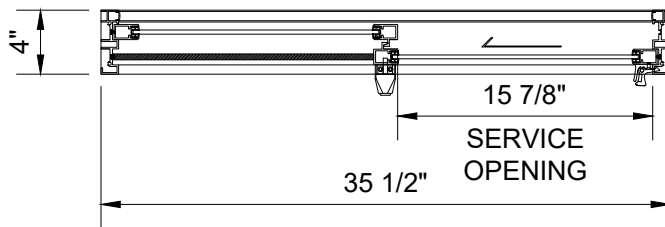
Standard Anodized Finishes: (A) Satin (Class II Clear), (DU) Duranodic Bronze  
Factory-Glazed Or Installer-Glazed: Glass Thickness Range 1/4" (6mm) To 5/8" (16mm)  
Unglazed: Vinyl Provided for Glass Thickness 1/4" (6mm) Or 1/2" (12mm)



ELEVATION



SECTION



PLAN

ROUGH OPENING TO EXCEED FRAME SIZE  
MINIMUM 1/2" ON WIDTH  
MINIMUM 1/4" ON HEIGHT

### APPLICATIONS :

- DRIVE-THRU / WALK-UP SERVICE
- SECURE RECEPTION AREAS
- INFORMATION / SECURITY KIOSKS

### FRAME ASSEMBLY MATERIALS :

- |                              |                               |
|------------------------------|-------------------------------|
| 6063-T5 EXTRUDED ALUMINUM    | STEEL BALL BEARING CARRIER    |
| STAINLESS STEEL FASTENERS    | POLY-PILE WEATHERSTRIPPING    |
| PLASTIC GUIDES, BLOCKS, CAPS | EXTRUDED VINYL GLAZING GASKET |

### DW SERIES CONFIGURATIONS :

- \* MODEL NUMBERS VARY
- \* OX XO (X=SLIDING O=FIXED)
- \* FULL BOTTOM TRACK
- \* 36" W x 36" H OPENING SIZE
- \* 35-1/2" W x 35-3/4" H FRAME SIZE
- \* 15-7/8" W x 32-3/8" H SERVICE OPENING

### OPTIONAL ACCESSORIES :

- STOCK DW KEYLOCK
- BURGLAR BAR (CUSTOM)



C.R.LAURENCE CO. TRANSACTION HARDWARE  
2503 E. Vernon Avenue, Los Angeles, C.A 90058-1897  
PHONE: (800)-421-6144 Ext.17760 FAX: 800-587-7501  
transaction@crlaurence.com www.crlaurence.com

CRL DELUXE SLIDING SERVICE WINDOW

MANUAL OPEN / MANUAL CLOSE

PAGE: 12.1

REV2: 06/14/24

DATE: 05/23/24

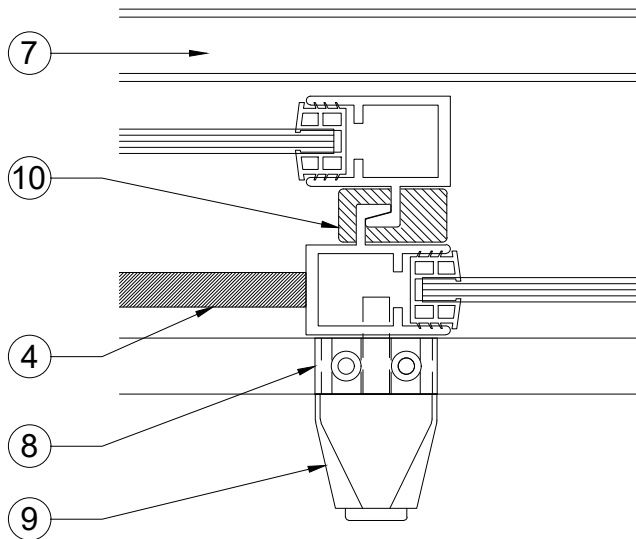
SCALE: 1"=1'-0"

DRAWN BY: RPD

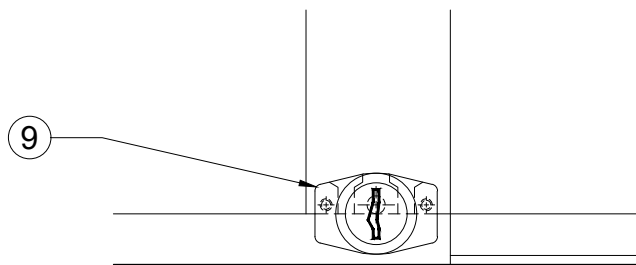
# CRL DELUXE SLIDING SERVICE WINDOW

## KEYED LOCK OPTION AND STANDARD FEATURES

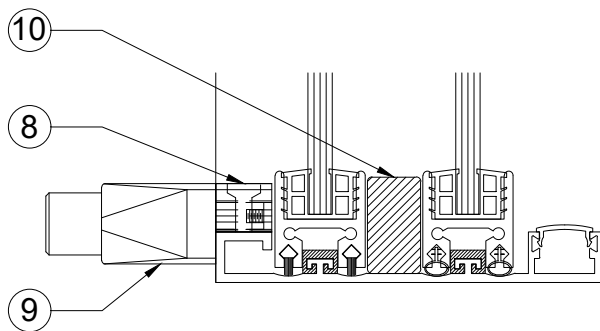
DW3636 & DW4844 (OX OR XO)  
(NO SCREEN / FULL BOTTOM TRACK)



**\* KEYED LOCK PLAN**

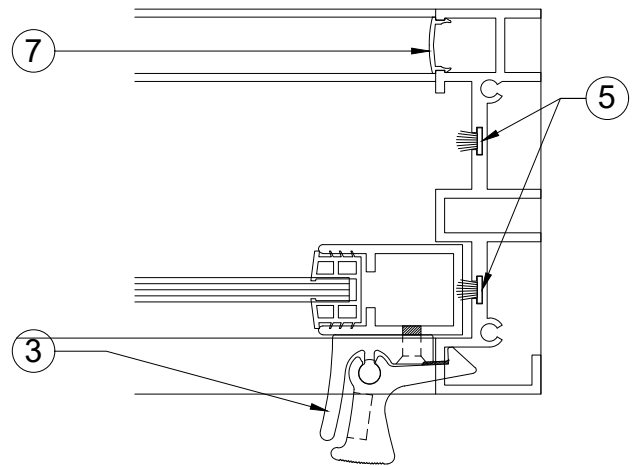


**\* KEYED LOCK ELEVATION**

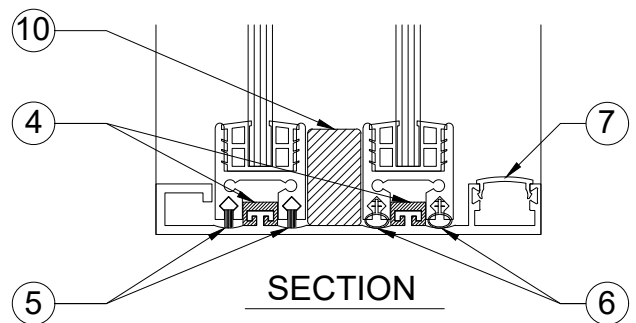
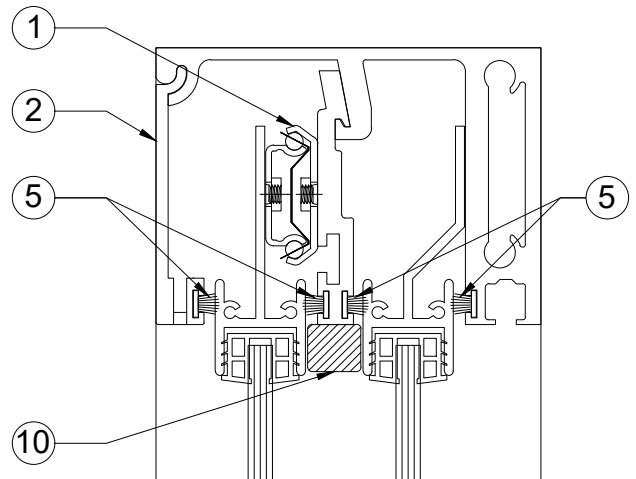


**\* KEYED LOCK SECTION**

**\* KEY LOCK MUST BE SPECIFIED**



**PLAN @ HANDLE**



**SECTION**

- |                         |   |
|-------------------------|---|
| 1. HEAVY DUTY CARRIER   | 7. SCREEN RACE CAP                          |
| 2. HEADER ACCESS PANEL  | 8. ADAPTER BLOCK                            |
| 3. SELF-LATCHING HANDLE | 9. CRL CAT # 0911BCKA<br>KEYED PLUNGER LOCK |
| 4. VINYL GUIDES         | 10. FILLER BLOCKS                           |
| 5. WEATHERSTRIPPING     |   |
| 6. BULB SEAL            |   |

**\* LOCK ADAPTERS VARY PER MODEL**

REV2: 06/14/24

DATE: 05/23/24

SCALE: 6"=1'-0"

DRAWN BY: RPD



C.R.LAURENCE CO. TRANSACTION HARDWARE  
2503 E. Vernon Avenue, Los Angeles, C.A 90058-1897  
PHONE: (800)-421-6144 Ext.17760 FAX: 800-587-7501  
transaction@crlaurence.com www.crlaurence.com

CRL DELUXE SLIDING SERVICE WINDOW

MANUAL OPEN / MANUAL CLOSE

PAGE: 12.2