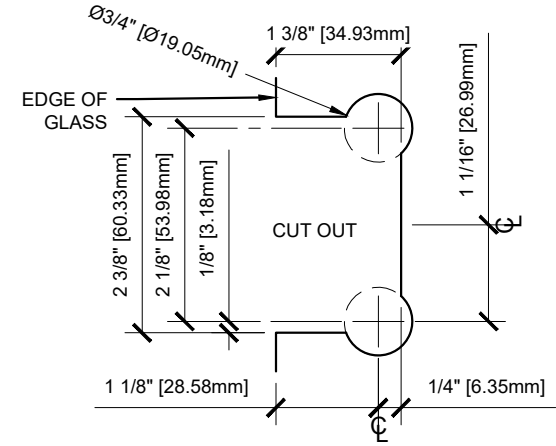
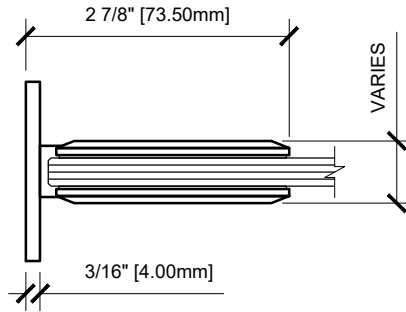
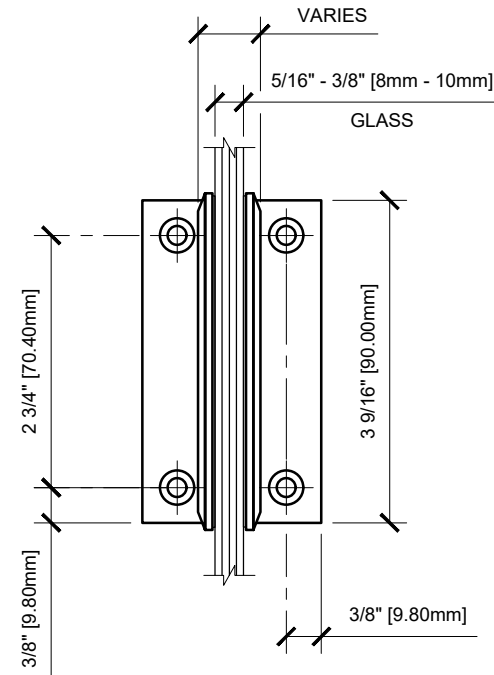
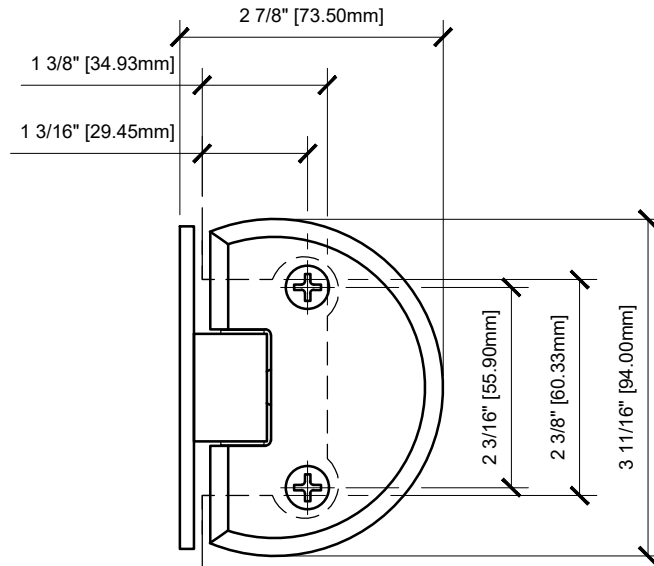


USE OF GASKETS

FOR 5/16" (18mm) GLASS: USE ONE THICK GASKET ON EACH SIDE
 FOR 3/8" (10mm) GLASS: USE ONE THIN GASKET ON EACH SIDE



GLASS FABRICATION TEMPLATE



CLA037XX - CRL CLASSIQUE SERIES STANDARD BACK PLATE HINGE

CATALOG NUMBER	FINISH
CLA037CH	POLISHED CHROME
CLA037BR	BRASS
CLA0370RB	OIL RUBBED BRONZE
CLA037ABR	ANTIQUÉ BRASS
CLA037BN	BRUSHED NICKEL
CLA037BSC	BRUSHED SATIN CHROME
CLA037GP	GOLD PLATED
CLA037PN	POLISHED NICKEL
CLA037SC	SATIN CHROME
CLA037W	WHITE

DATE: 1/23/19
 SCALE: 6" - 1'-0"
 DRAWN BY: VM

DESCRIPTION: CRL - CLA037
 CLASSIQUE 037 SERIES
 WALL MOUNT STANDARD BACK PLATE HINGE

C.R. LAURENCE CO. ARCHITECTURAL PRODUCTS
 2503 E. Vernon Avenue, Los Angeles, C.A. 90058-1897
 PH (800)-421-6144 FX: 800-587-7301 www.crlaurence.com

