

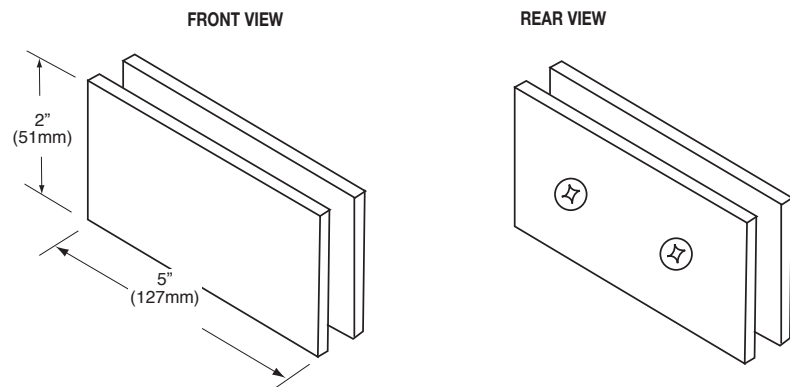
Specifications:

Material: Solid brass
 Glass Thickness Range: 3/8"(10mm) to 1/2"(12mm)
 Hole Size Required: 3/4" (19mm)
 Includes: Screws and gaskets

Template Shown on Next Page

HEAVY DUTY GLASS CLAMPS

Beveled 180° Double Stud
 CAT. NO. BGC180



Specifications:

Material: Solid brass
 Glass Thickness Range: 3/8"(10mm) to 1/2"(12mm)
 Hole Size Required: 3/4" (19mm)
 Includes: Screws and gaskets

Template Shown on Next Page

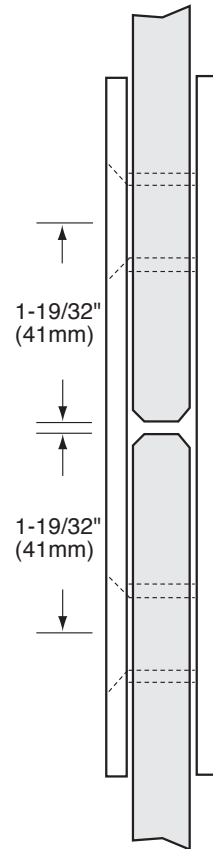
HEAVY DUTY GLASS CLAMPS

Square 180° Double Stud
 CAT. NO. SGC180

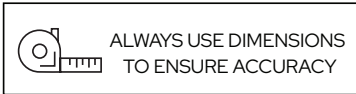
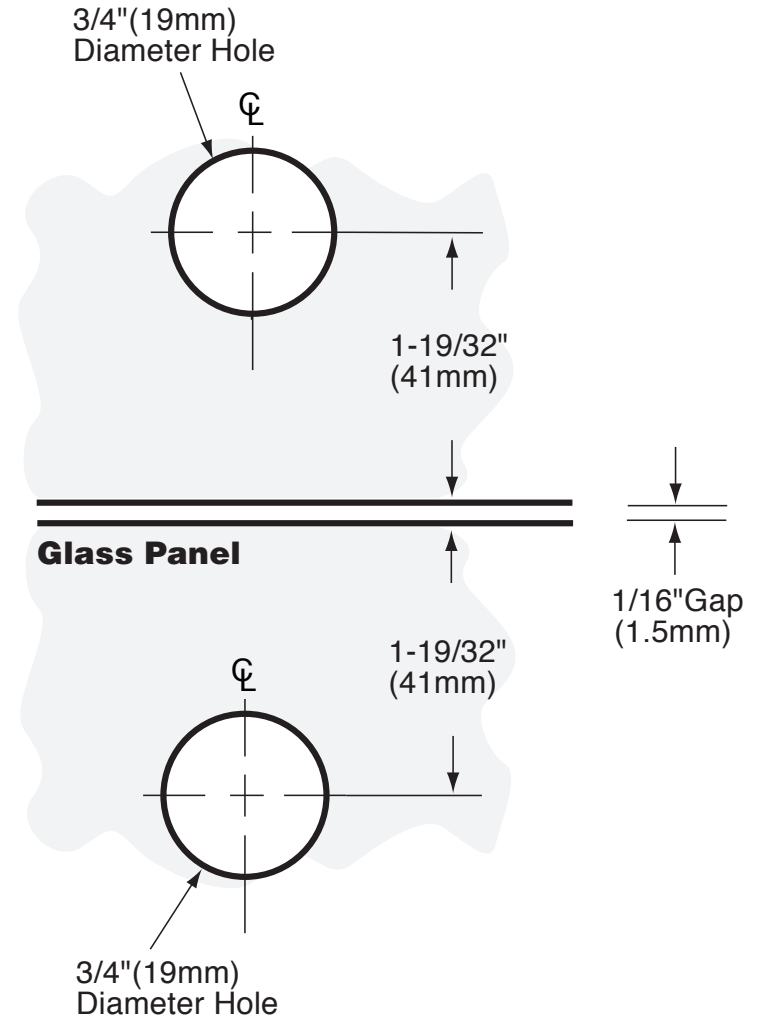
***NOTE:** Do not exceed either maximum weight or width when choosing proper quantity of hinges.

IMPORTANT: Project measurements from the edge of the glass.

TYPICAL INSTALLATION



TEMPLATE FOR SQUARE CUT GLASS



HEAVY DUTY GLASS CLAMPS

Beveled 180° Double Stud | Square 180° Double Stud

CAT. NO. BGC180 | CAT. NO. SGC180