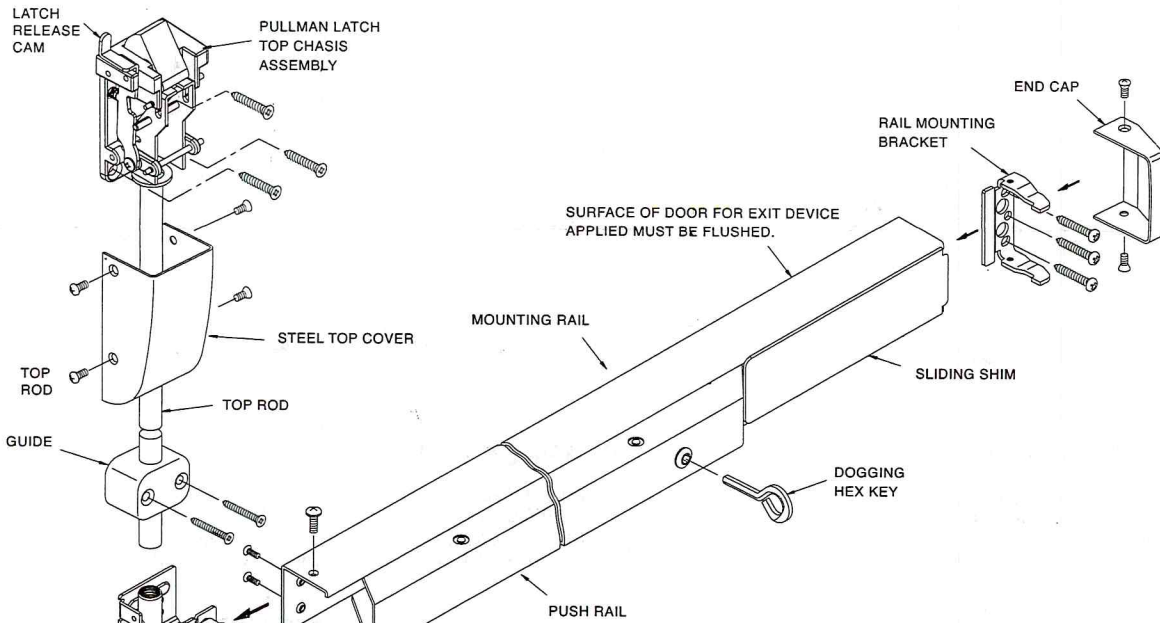
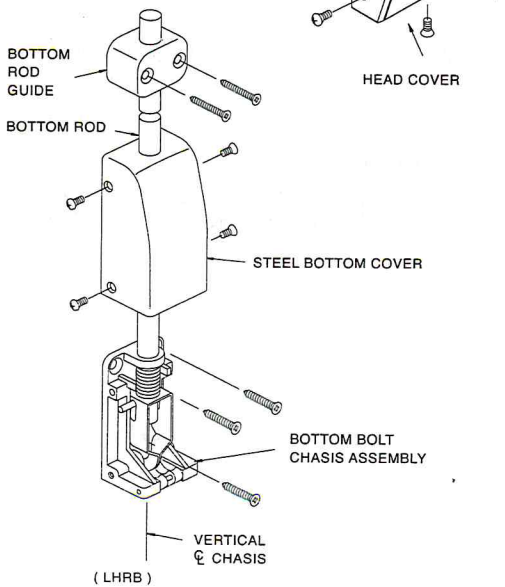
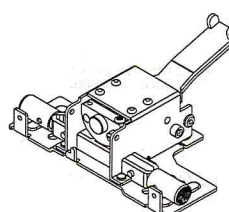
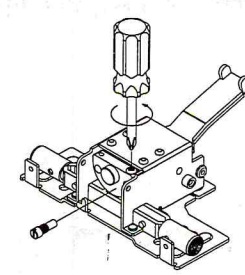
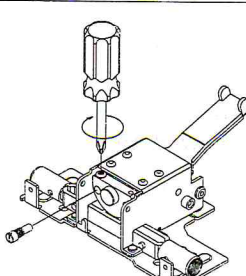
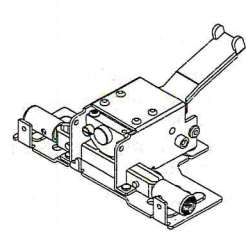


INSTALLATION INSTRUCTION FOR SF-SVRTBAR SERIES SURFACE VERTICAL ROD EXIT DEVICE.



To change hand

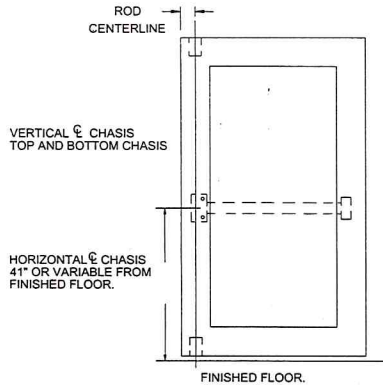


<p>1. Factory pre-set RHR</p>	<p>2. Unfasten philip and flat screw from the pre-set</p>
	
<p>3. Fasten philip and flat head screws to the other end for LHR</p>	<p>4. Now already change LHR</p>
	

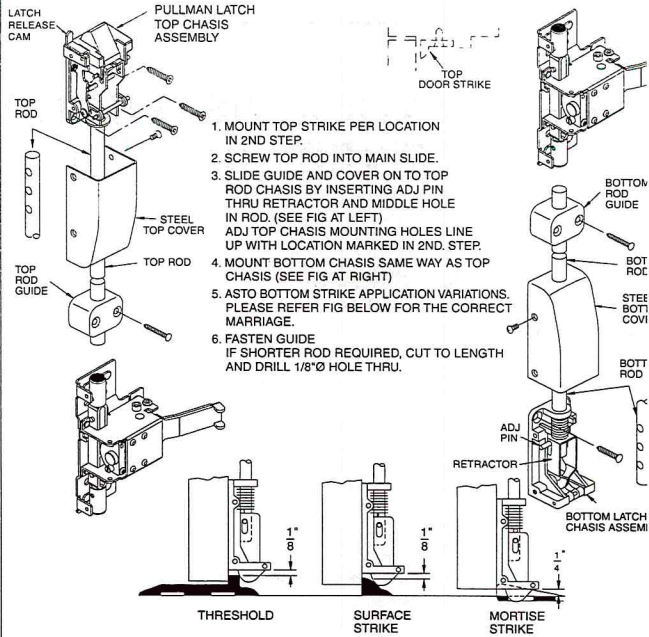
1. MARK VERTICAL AND HORIZONTAL REFERENCE LINE ON DOOR.

DETERMINE BACKSET LOCATE VERTICAL REFERENCE LINE.

1. IF LOCK STILE IS 4 1/2" WIDE OR WIDER, BACKSET IS 2 3/4".
2. IF LOCK STILE IS LESS THAN 4 1/2" WIDE, BACKSET IS HALF OF THE EXPOSED WIDTH OF DOOR STILE.

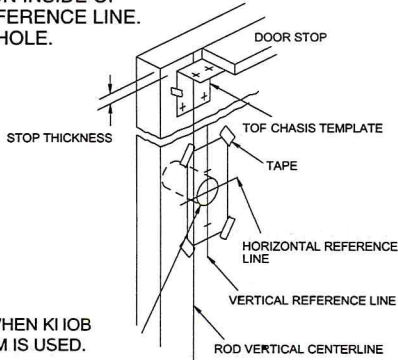


4. ATTACH TOP AND BOTTOM CHASIS



2. PREPARE DOOR

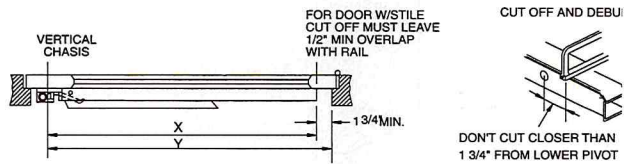
TAPE TEMPLATE ON INSIDE OF DOOR ALONG REFERENCE LINE. SPOT AND DRILL HOLE.



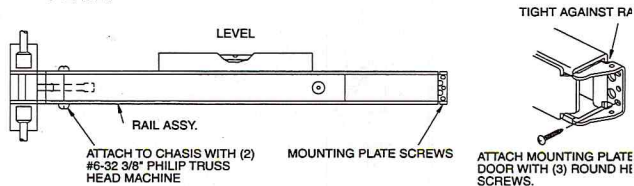
2-1/8" Ø BORE WHEN K1 JOB AND LEVER TRIM IS USED.

5. APPLY RAIL ASSEMBLY

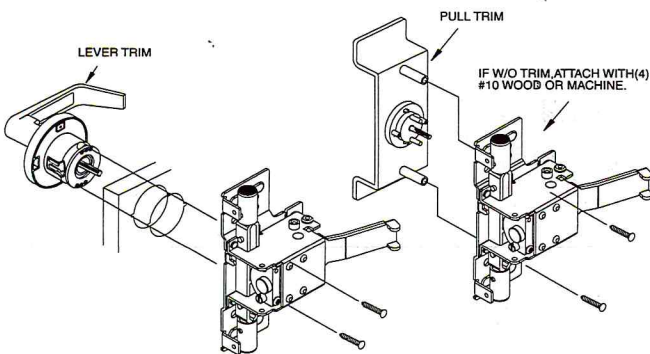
1. CHECK THE SIZE OF DEVICE, IF LENGTH REDUCING IS REQUIRED.
2. DETERMINE CUT OFF LENGTH "X" BY SUBTRACTING 1 3/4" FROM "Y". MARK CUT POINT ON MOUNTING RAIL.



3. DREPRESS ARM INTO RAIL OPENING AND SLIDE RAIL ONTO CHASIS. LEVEL RAIL AND FASSTEN CHASIS AND MOUNTING PLATE.

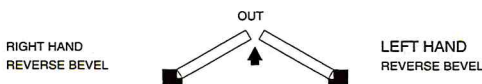


3. APPLY TRIM+CHASIS



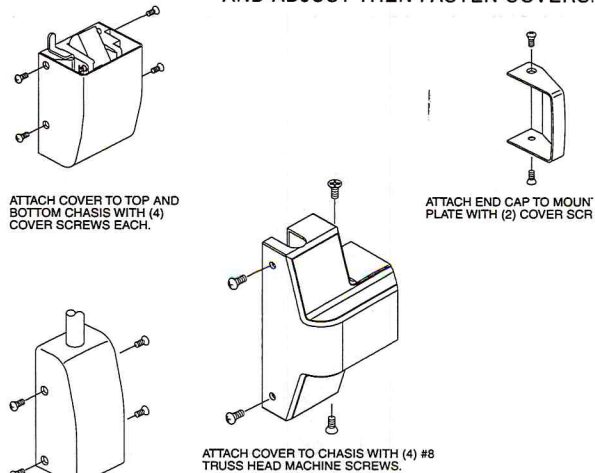
BEFORE INSTALLING DEVICE, PLEASE CHECK :

1. IF DOOR FITTED AND HUNG.
2. SIZE OF EXIT DEVICE, FUNCTION AND DESIGN...
 - 2.1. 36" DOORS, CAN BE CUT TO FIT DOORS DOWN TO 30" WIDE.
 - 2.2. 48" DOORS, CAN BE CUT TO FIT DOORS DOWN TO 36" WIDE.
 - 2.3. HAND OF DEVICE AGAIST APPLICATION



6. APPLY COVER

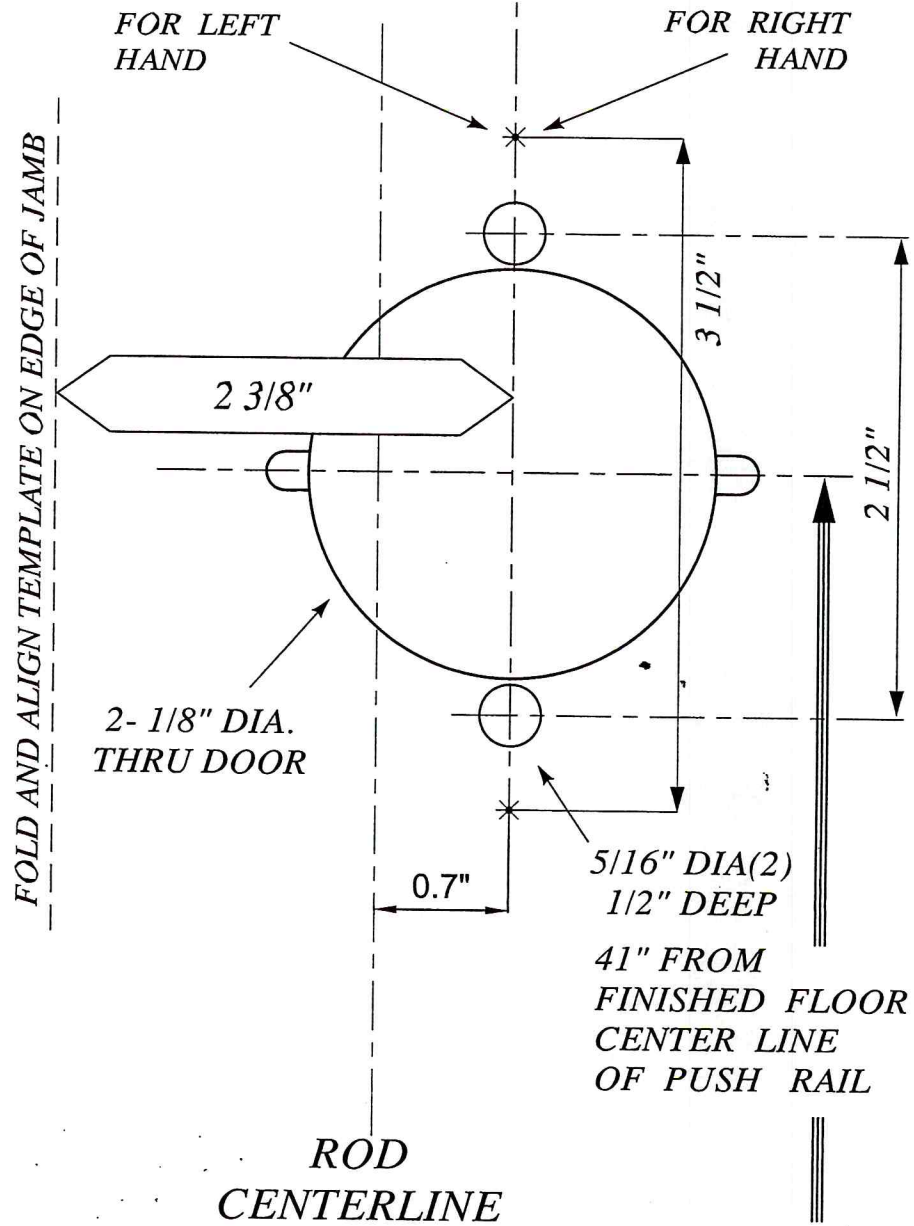
CHECK FINAL OPERATION OF DEVICE AND ADJUST THEN FASTEN COVERS.



TEMPLATE

FOR EDTBAR AND SVRTBAR SERIES EXIT DEVICE USING LEVER HANDLE TRIM

FOR WOOD DOORS :
DRILL(4) 3/32" DIA.X 1-1/4"
DEEP PILOT HOLES
FOR METAL DOORS :
TAPPED(4)#3/16" HOLES.



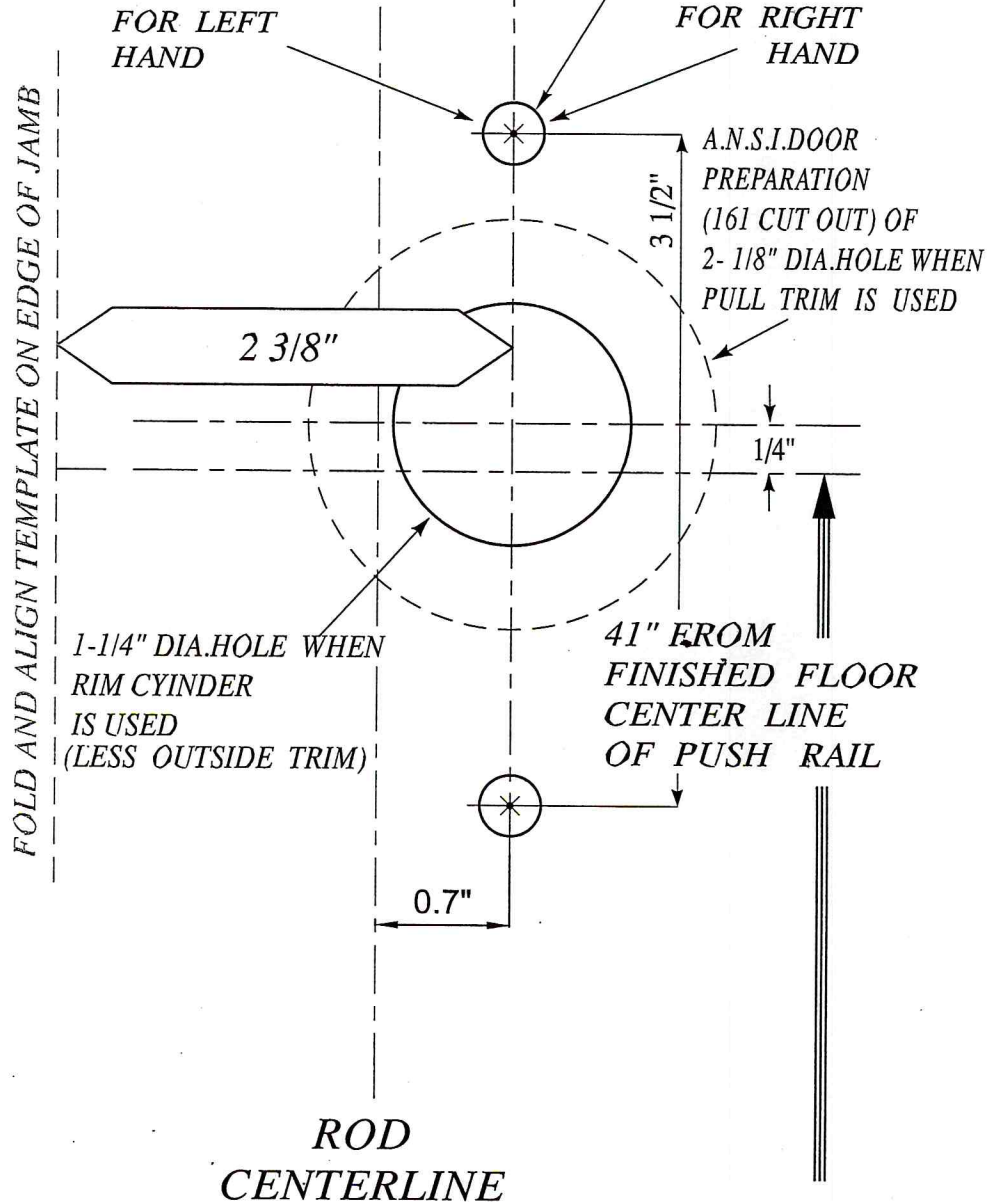
① FOR REFERENCE LINES REFER TO INSTRUCTION SHEET

TEMPLATE

FOR EDTBAR AND SVRTBAR SERIES EXIT DEVICE USING LEVER HANDLE TRIM

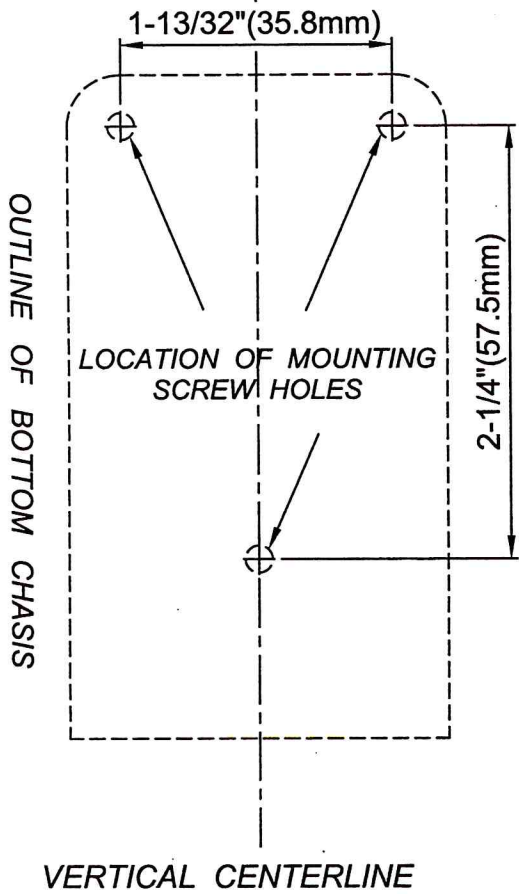
FOR WOOD DOORS :
DRILL (4) $3/32$ " DIA. X $1-1/4$ "
DEEP PILOT HOLES
FOR METAL DOORS :
TAPPED (4) $\#3/16$ " HOLES.

FOR THRU-BOLTING:
DRILL (2) $3/8$ " DIA. HOLES
THRU DOOR



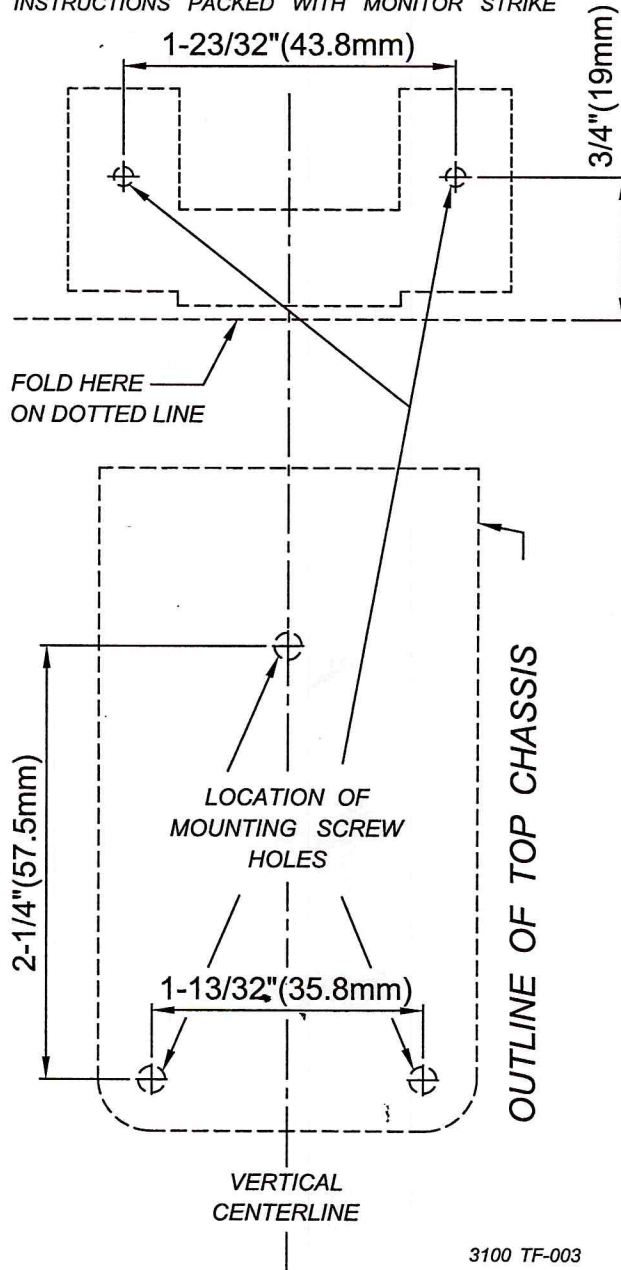
① FOR REFERENCE LINES REFER TO INSTRUCTION SHEET

THIS TEMPLATE NOT TO BE USED FOR MONITOR STRIKE PREP DOOR USING INSTRUCTIONS PACKED WITH MONITOR STRIKE



3100 TF-004

THIS TEMPLATE NOT TO BE USED FOR 881 MONITOR STRIKE, PREPARE DOOR USING INSTRUCTIONS PACKED WITH MONITOR STRIKE



3100 TF-003