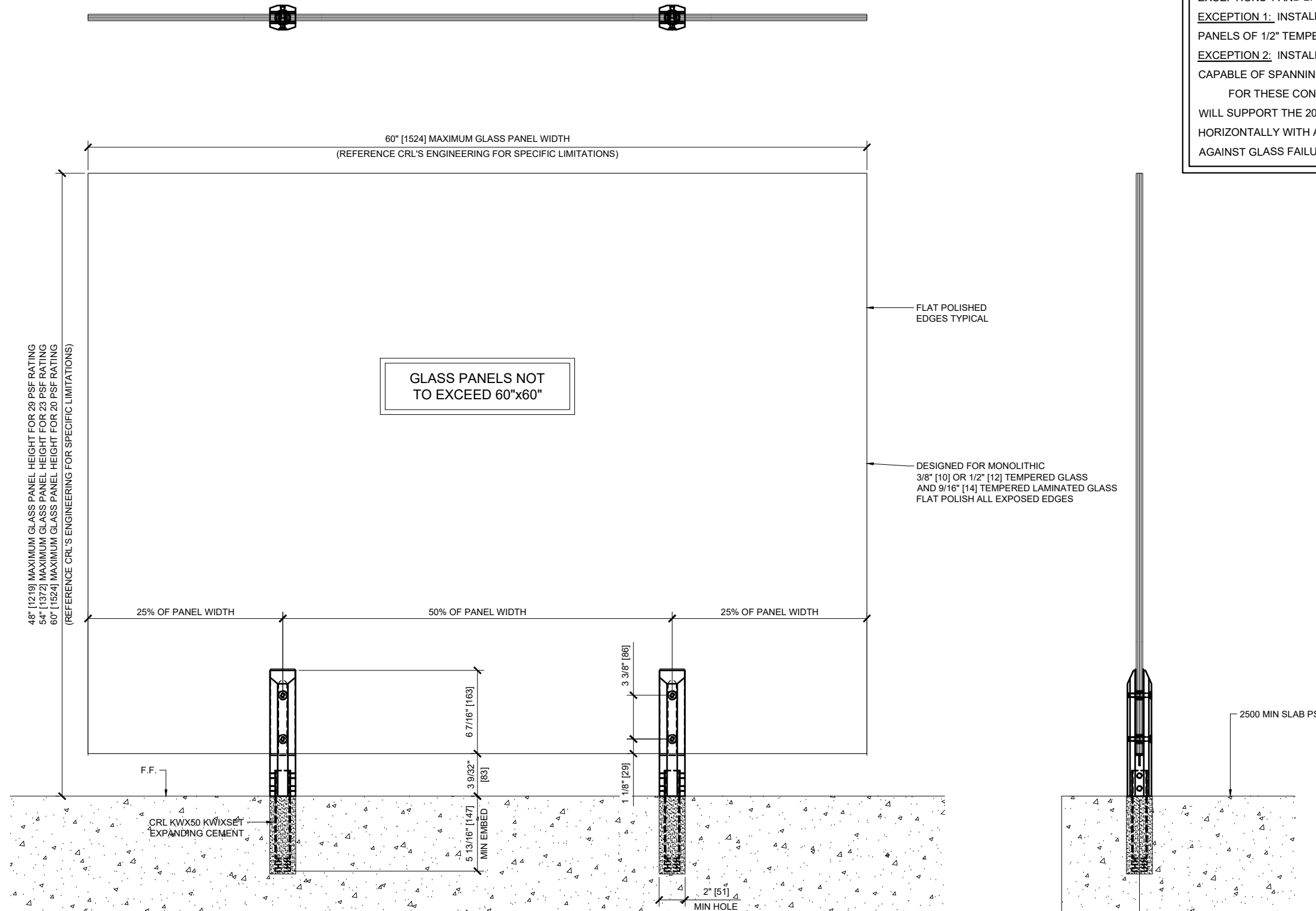


AFWC1 / AFWC6 - CRL ONE-PIECE CORE MOUNT FRAMELESS WINDSCREEN CLAMPS



THESE FRAMELESS WINDSCREEN CLAMPS MAY BE USED FOR FALL PROTECTION IN ONE AND TWO-FAMILY RESIDENTIAL OCCUPANCIES AND LOCATIONS INCLUDED IN IBC 1607.8.1 EXCEPTIONS 1 AND 2.

EXCEPTION 1: INSTALLED WITH A MINIMUM OF 3 PANELS OF 1/2" TEMPERED GLASS.

EXCEPTION 2: INSTALLED WITH A TOP RAIL CAPABLE OF SPANNING 10 FEET.

FOR THESE CONDITIONS, THE SYSTEM WILL SUPPORT THE 200 LB LOAD VERTICALLY OR HORIZONTALLY WITH A SAFETY FACTOR OF 4.0 AGAINST GLASS FAILURE.

CATALOG NUMBER	FINISH
AFWC1	BRUSHED STAINLESS - 316 S.S.
AFWC6	POLISHED STAINLESS - 316 S.S.

① WINDSCREEN INTERIOR ELEVATION
1'-0"=1'-0"

② WINDSCREEN SECTION
1'-0"=1'-0"

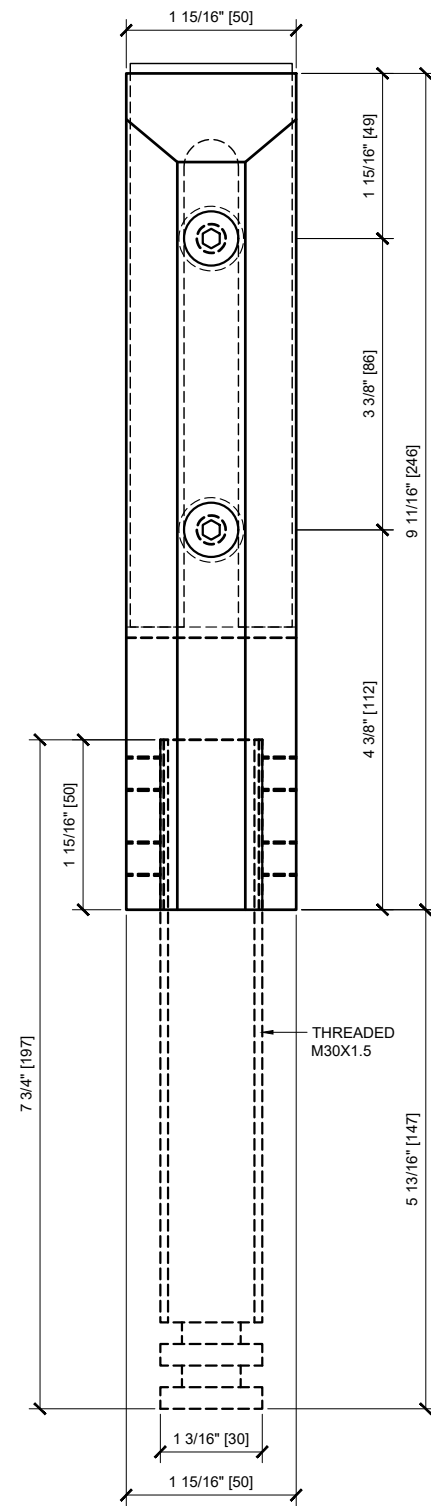
Revisions By:



2503 E. Vernon Avenue, Los Angeles, CA 90058-1897
PH (800)-421-6144 FX: 800-587-7501 www.crlaurence.com

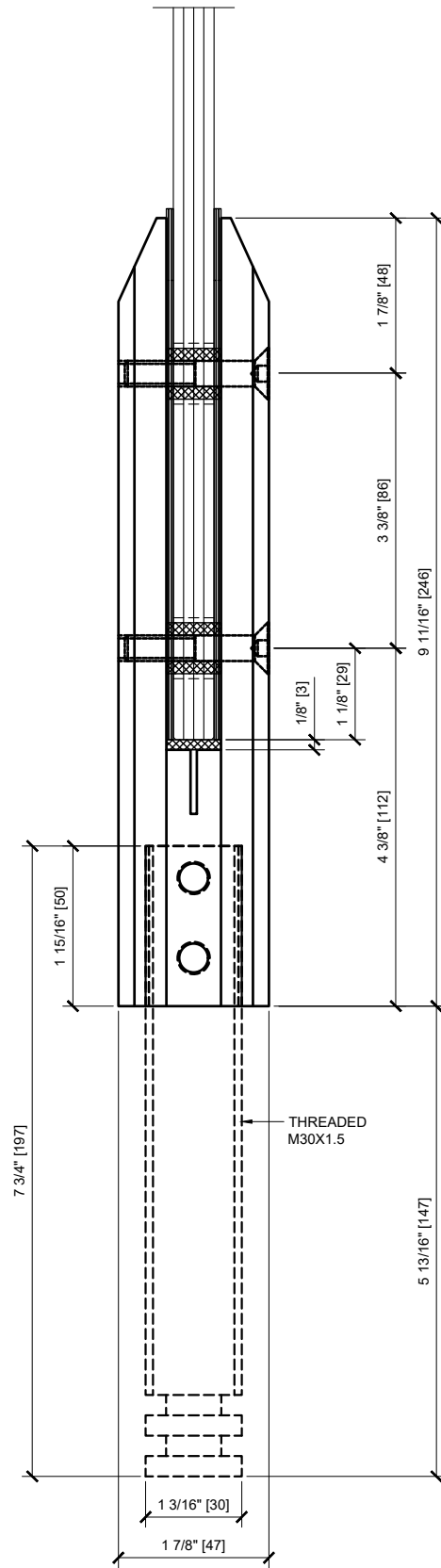
Description:
FSC FRAMELESS WINDSCREEN SYSTEMS

Drawn By: AAD
Date: 1/15/16
Scale: AS NOTED
File Name: 05-AFWC1&AFWC6-One Piece Core Mount Frameless Windscreen System.dwg
Sheet



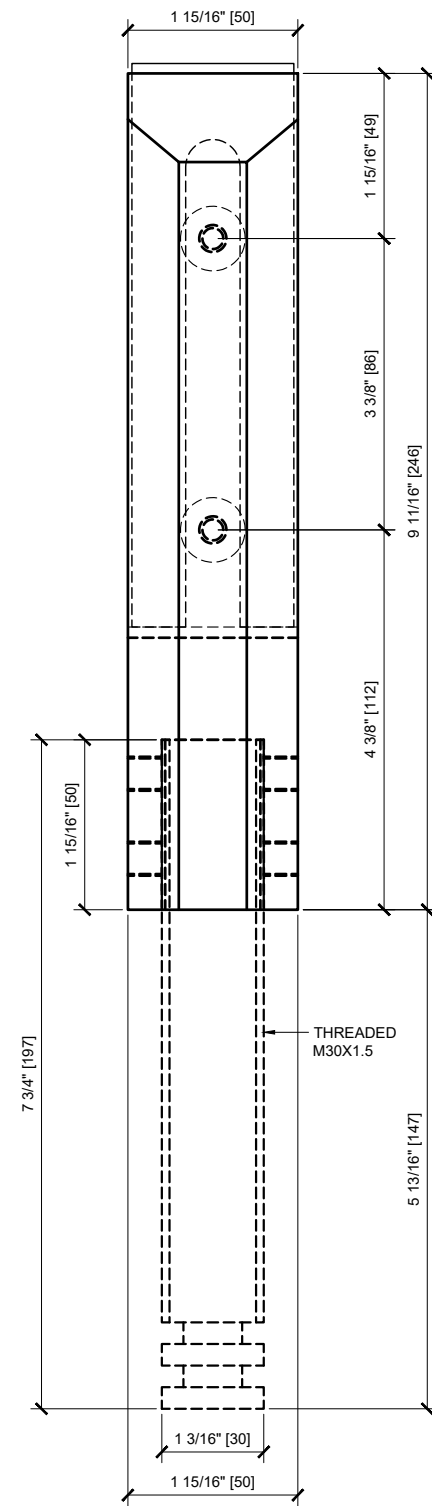
① AFWC1 / AFWC6 FRONT VIEW

1'-0"=1'-0"



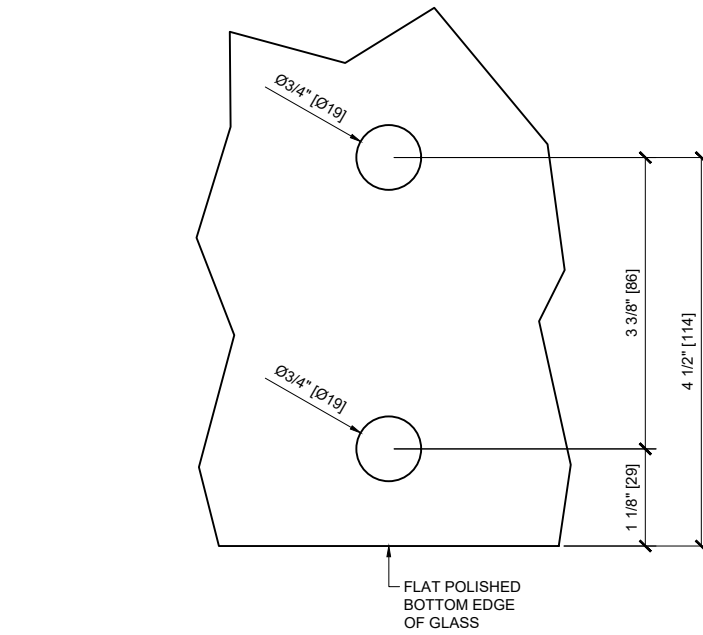
② AFWC1 / AFWC6 SIDE VIEW

1'-0"=1'-0"



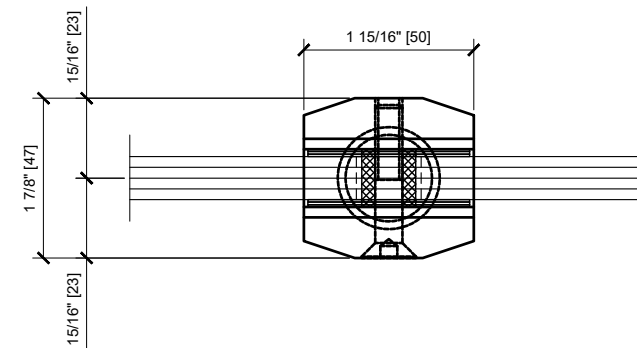
③ AFWC1 / AFWC6 REAR VIEW

1'-0"=1'-0"



⑤ GLASS FABRICATION REQUIREMENTS

1'-0"=1'-0"



④ AFWC1 / AFWC6 TOP VIEW

1'-0"=1'-0"

Revisions By:

CRL

2503 E. Vernon Avenue, Los Angeles, CA 90058-1887
PH (800)-421-8144 FX: 800-587-7501 www.crlaurence.com

Description:

FSC FRAMELESS
WINDSCREEN SYSTEMS

Drawn By: AAD

Date: 1/15/16

Scale: AS NOTED

File Name: 06-AFWC1&AFWC6-One Piece Core Mount Frameless Windscreen System.dwg

Sheet

2.06