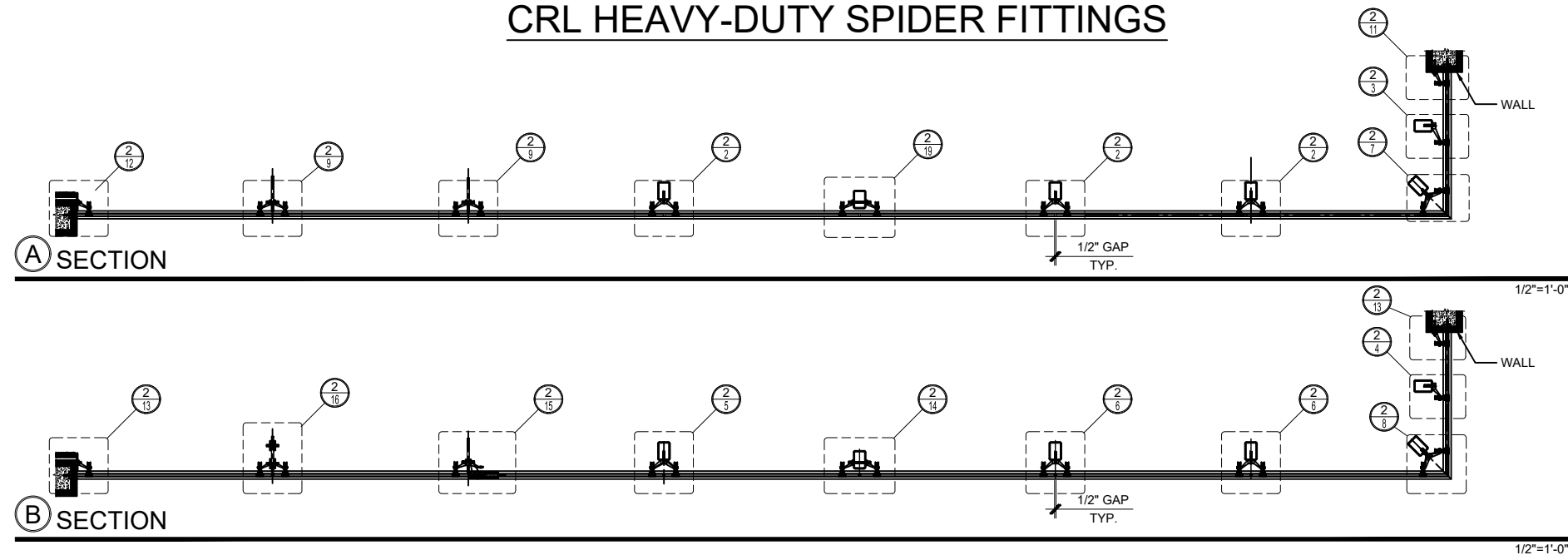


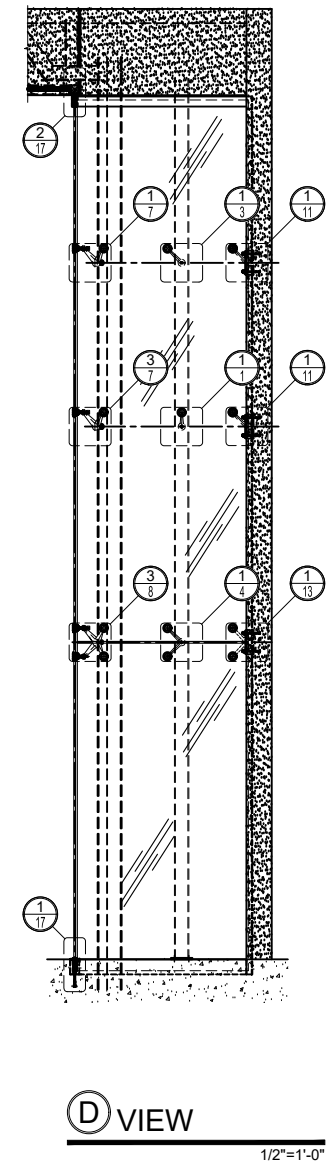
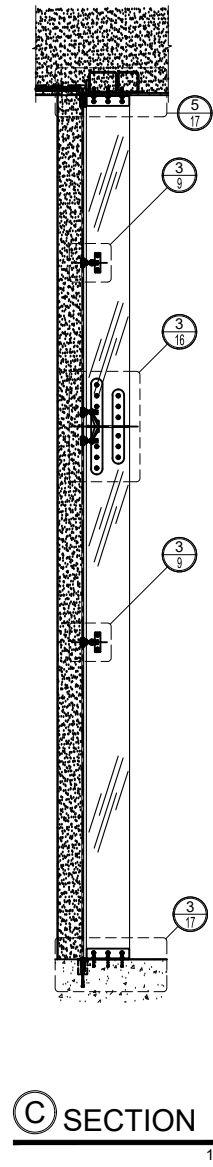
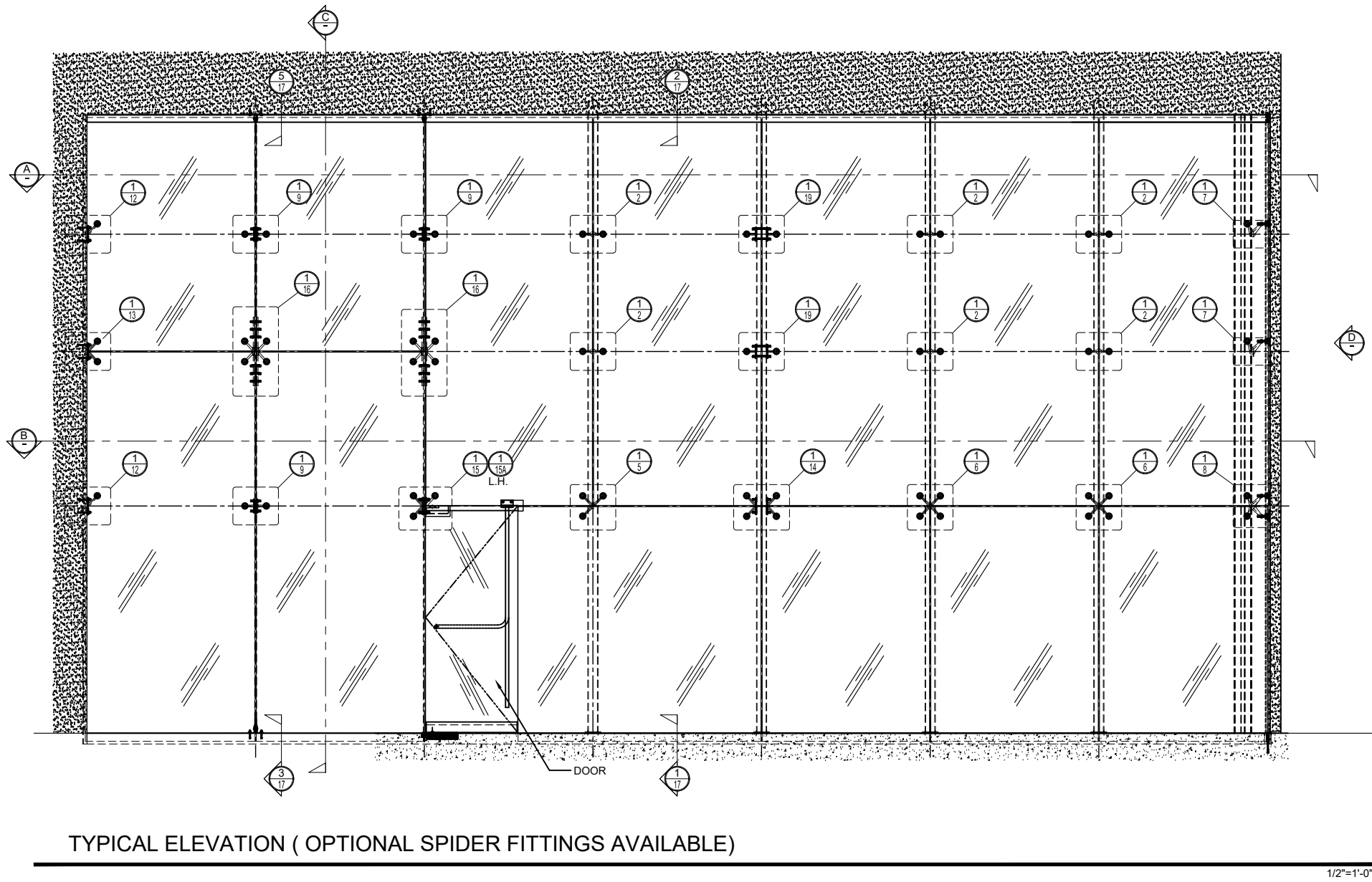
# CRL HEAVY-DUTY SPIDER FITTINGS



- \* FOR USE WITH 1/2" TO 13/16" (12 TO 20 MM) TEMPERED GLASS
- \* SPIDERS FOR MOUNTING TO POST, WALLS OR FINIS
- \* DESIGNED FOR THE 'ALL GLASS' LOOK
- \* NEW COMBINATION GLASS ATTACHMENTS - SAME ATTACHMENT CAN BE USED FOR FLUSH MOUNT OR CAP MOUNT APPLICATIONS - RIGID HEAD AND SWIVEL HEAD STYLES AVAILABLE
- \* MADE OF 316 ALLOY STAINLESS STEEL IN TWO ATTRACTIVE FINISHES: BRUSHED OR POLISHED

### STRUCTURAL DISCLAIMER:

ALL CUSTOMERS WHO IN ANY WAY UTILIZE THIS PRODUCT ARE SOLELY RESPONSIBLE TO CONSULT A STRUCTURAL ENGINEER TO DETERMINE THE SUITABILITY OF THE PRODUCT FOR THE INTENDED USE AND SITE CONDITIONS. ALL INSTALLERS MUST BE QUALIFIED AND HAVE PROFESSIONAL KNOWLEDGE ABOUT COMPLIANCE WITH LOCAL, STATE AND FEDERAL REGULATIONS, SAFETY FACTORS, AND THE APPROPRIATE CHOICE OF FIXING MATERIAL AND PROCEDURES.



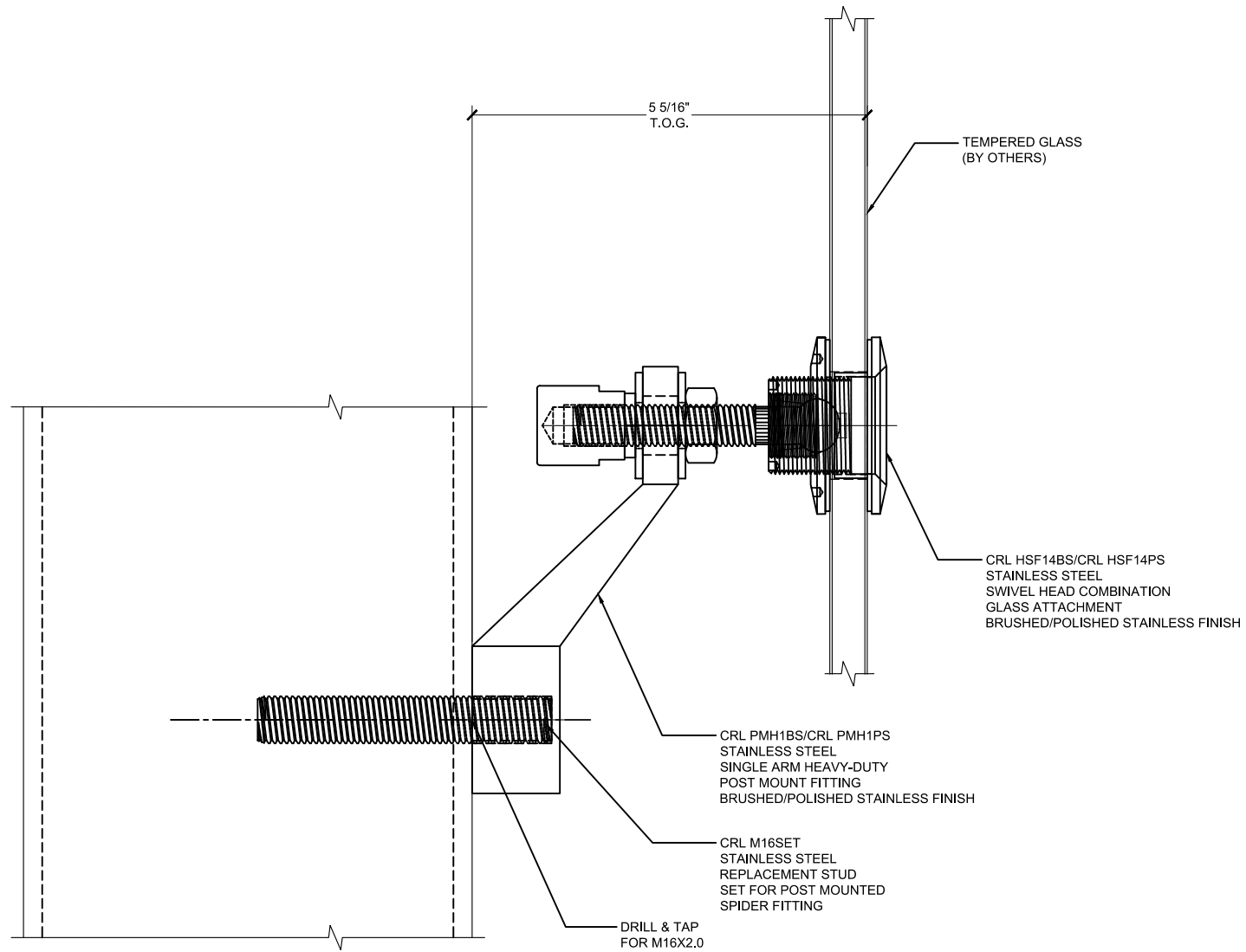
Revisions By:

**CRL ALUMINUM COMPANY**  
A CRH COMPANY  
2503 E. Vernon Avenue, Los Angeles, CA 90058-1887  
PH (800)-421-6144 FX: 800-587-7501 www.crlaluminum.com

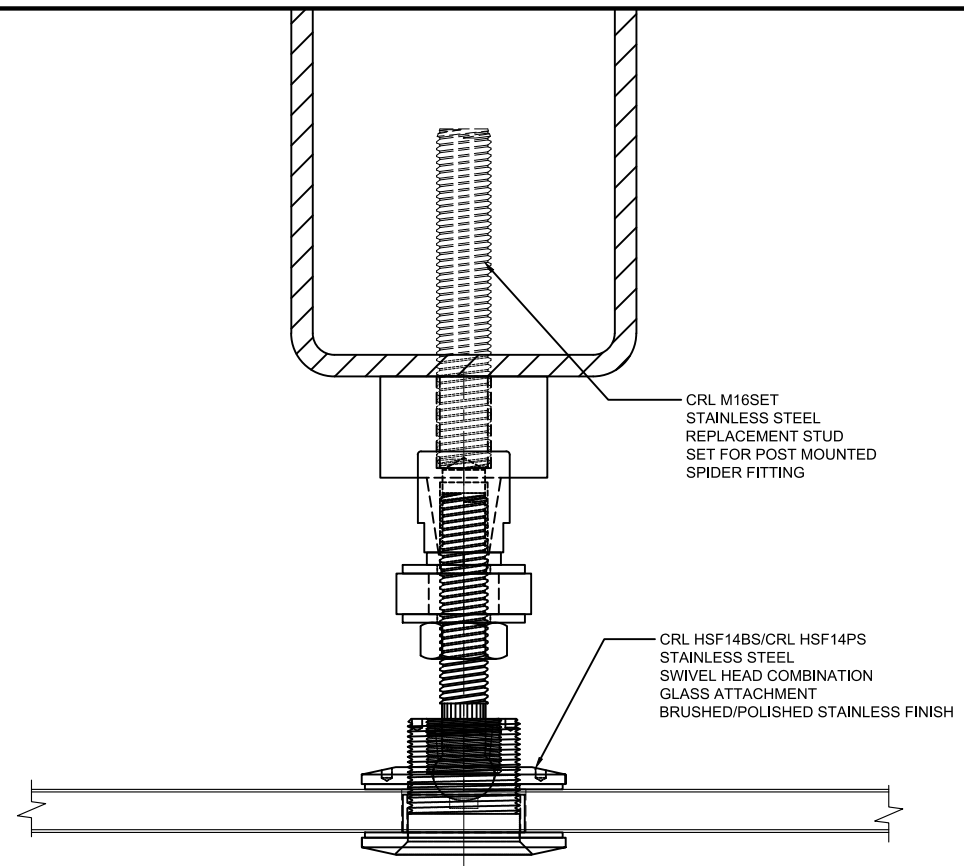
Description:  
CRL SPIDER FITTINGS

Drawn By: JRM  
Date: 4/4/17  
Scale: 1/2"=1'-0"  
File Name: Heavy Duty Spider Fittings.dwg  
Sheet

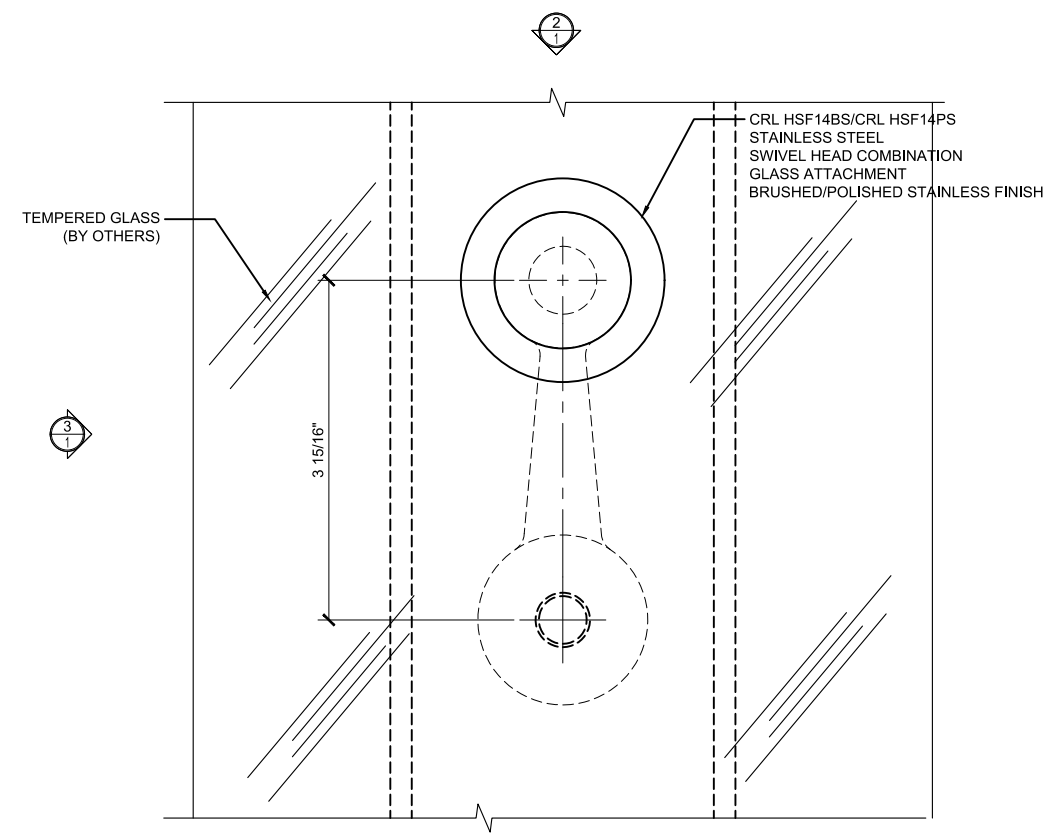
0



**③ LEFT SIDE**  
1'-0"=1'-0"



**② TOP VIEW**  
1'-0"=1'-0"



**① ELEVATION**  
1'-0"=1'-0"

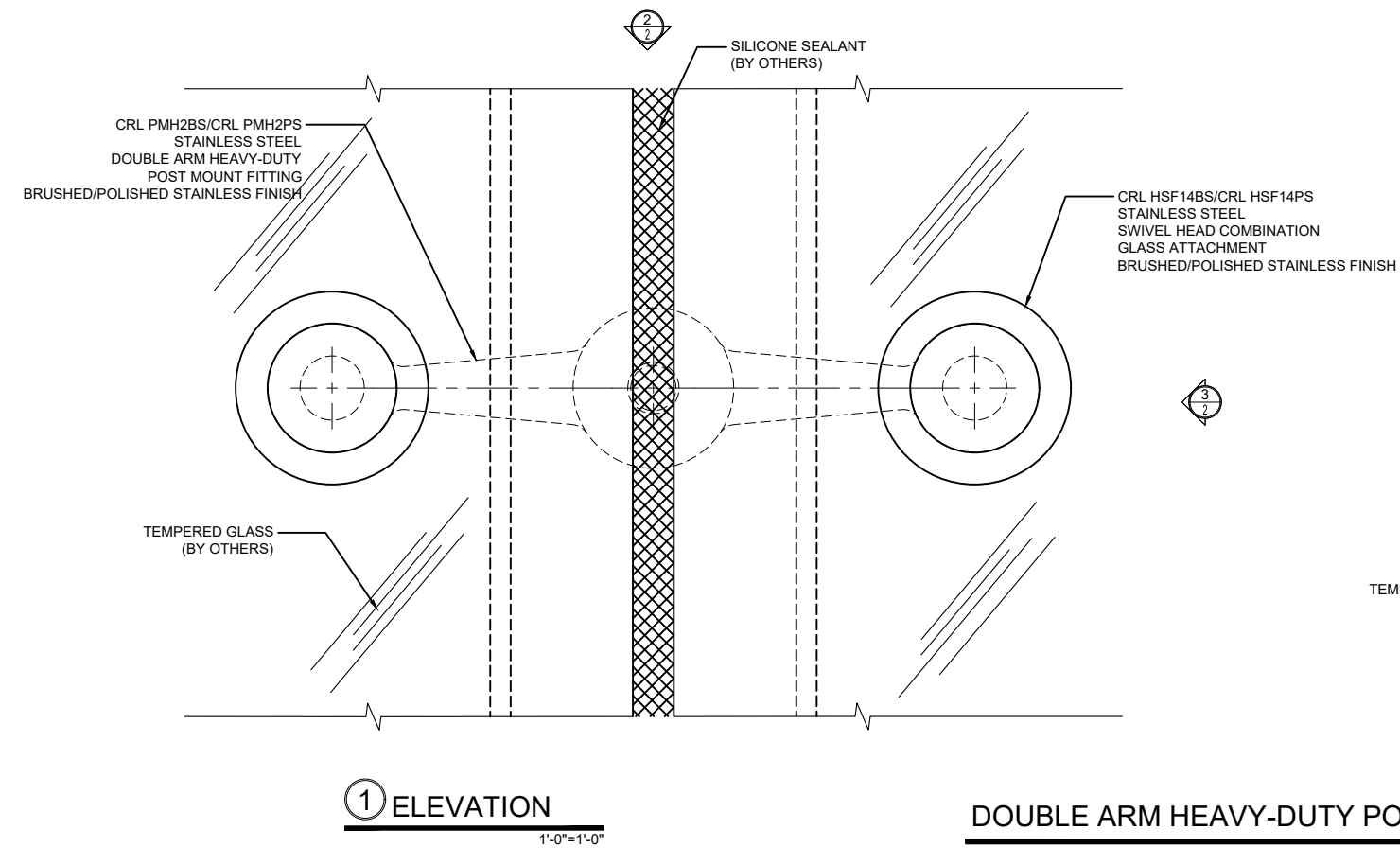
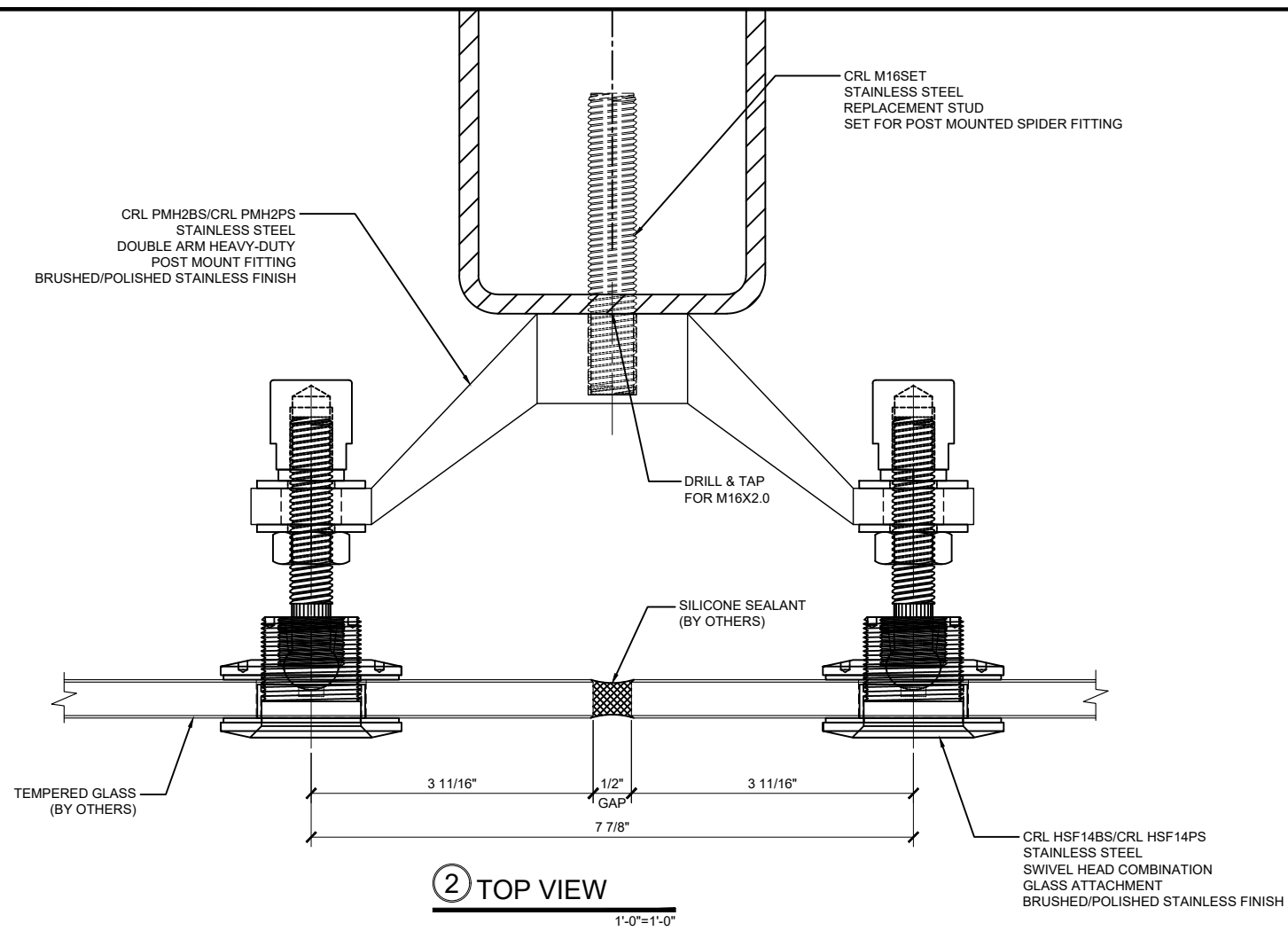
**SINGLE ARM HEAVY-DUTY POST MOUNT FITTING PMH1**

Revisions By:

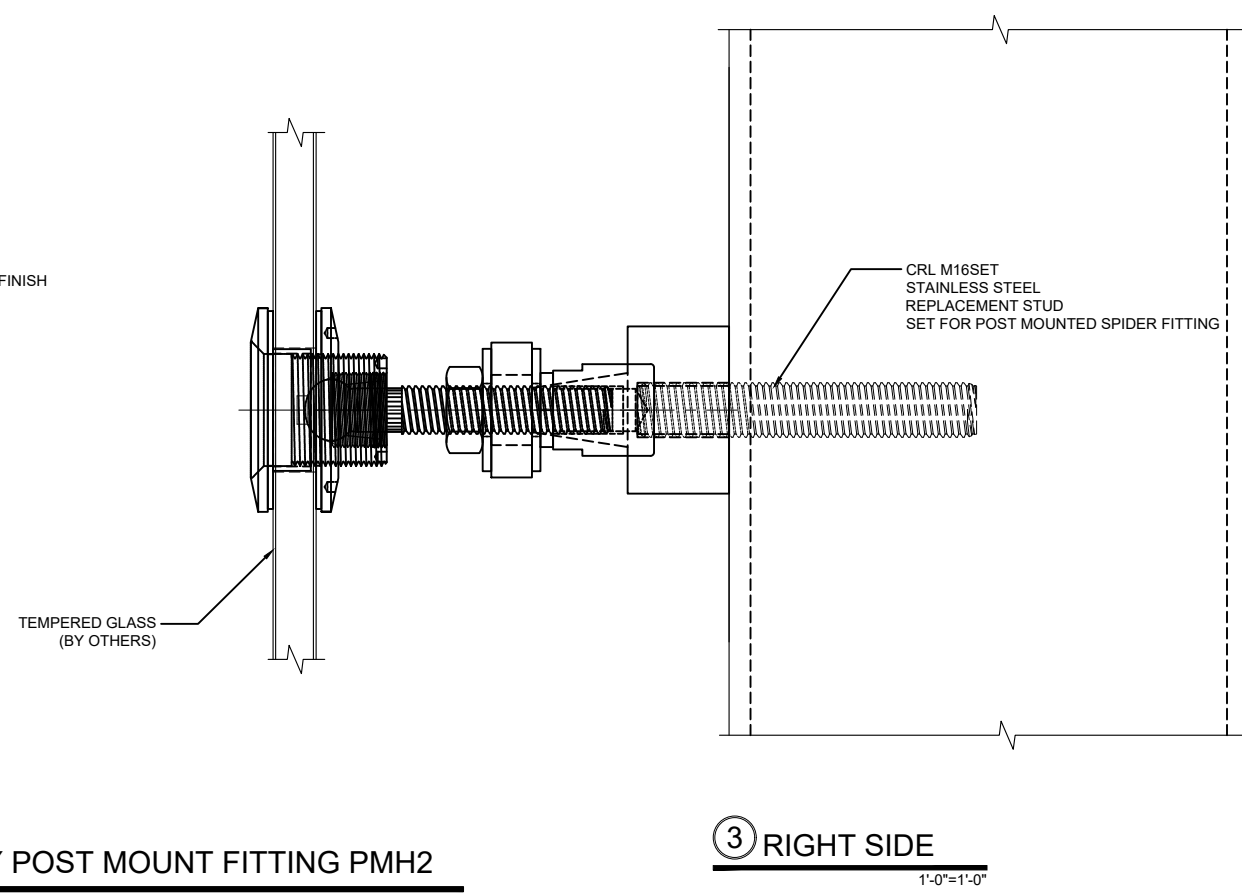

**CRL ALUMINUM**  
A CRL COMPANY  
2503 E. Vernon Avenue, Los Angeles, CA 90058-1897  
PH (800)-421-6144 FX: 800-587-7501 www.crlaluminum.com


Description:  
CRL SPIDER FITTINGS

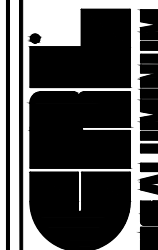

Drawn By: JRM  
Date: 4/4/17  
Scale: FULL  
File Name: Heavy Duty Spider Fittings.dwg



**DOUBLE ARM HEAVY-DUTY POST MOUNT FITTING PMH2**



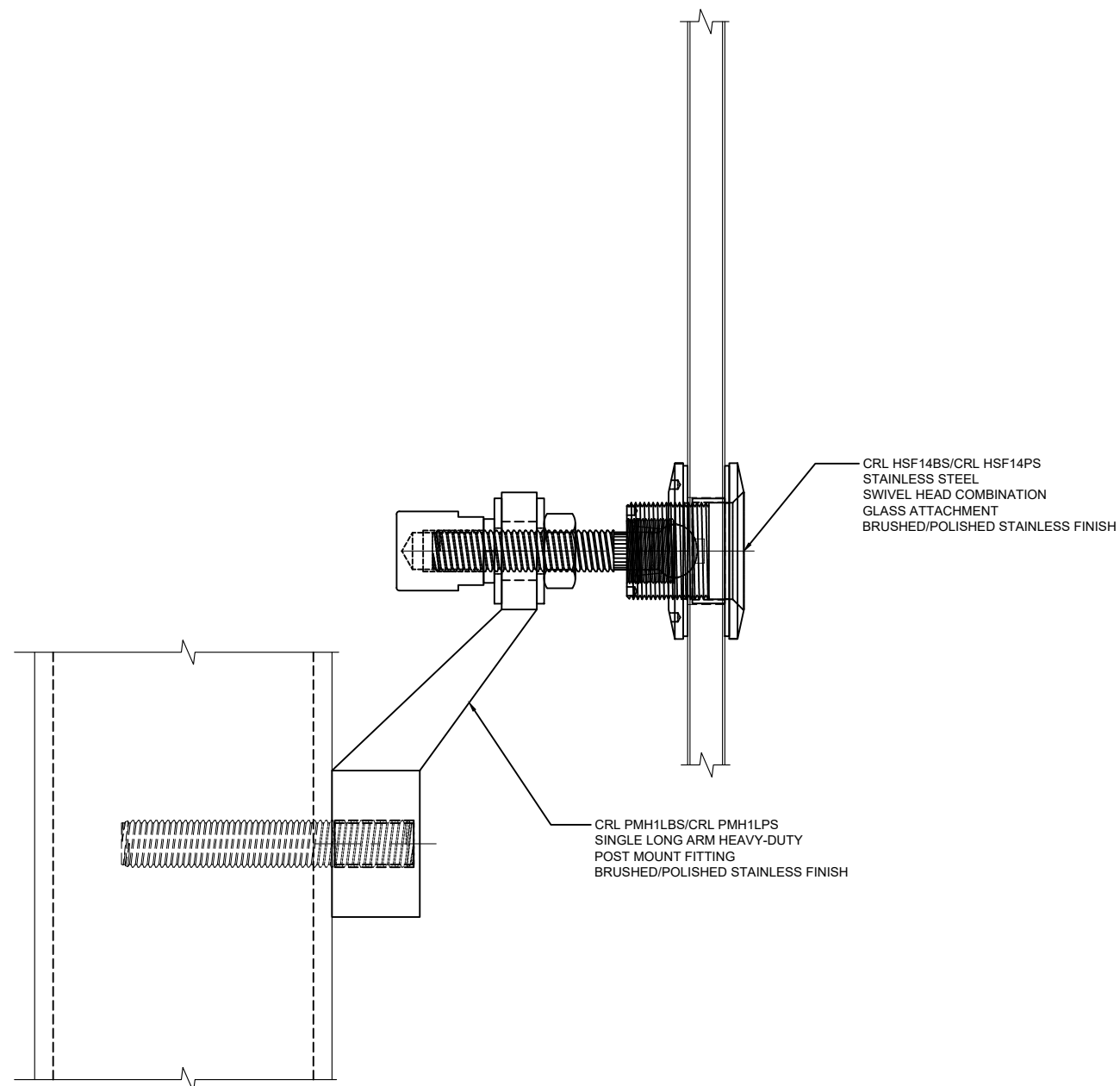
Revisions By:



A CRL COMPANY  
2503 E. Vernon Avenue, Los Angeles, CA 90058-1897  
PH (800)-421-6144 FX: 800-587-7501 www.crlaluminum.com

Description:  
CRL SPIDER FITTINGS

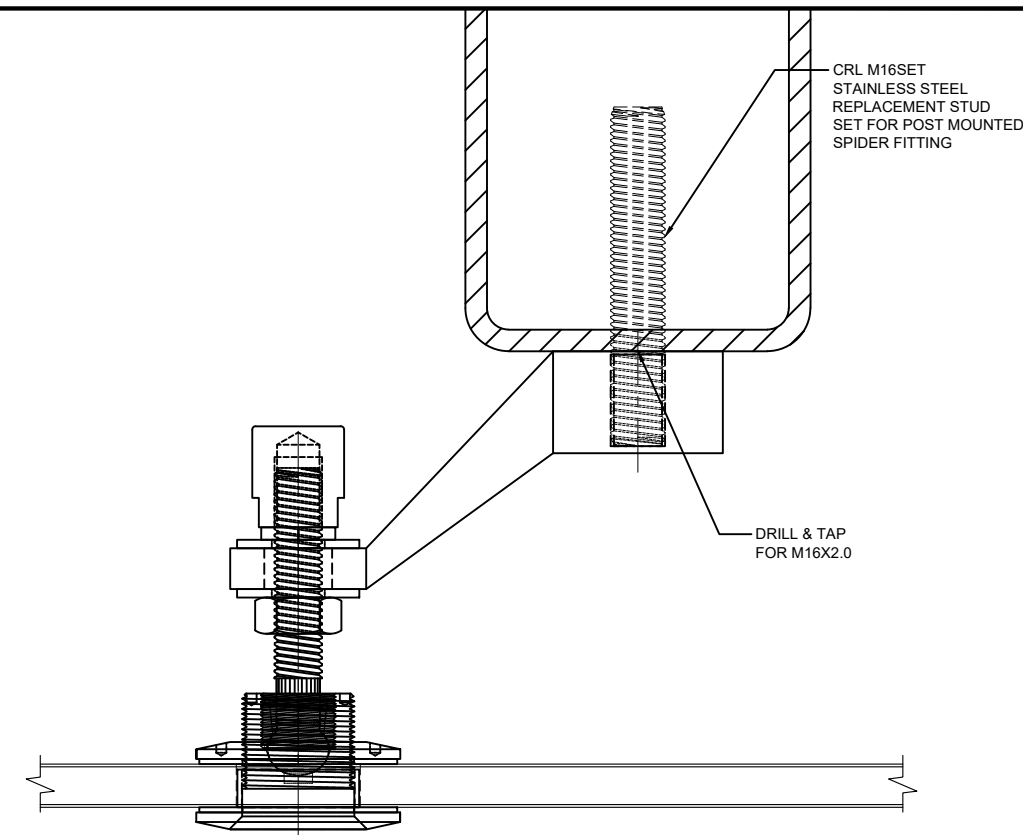
Drawn By: JRM  
Date: 4/4/17  
Scale: FULL  
File Name: Heavy Duty Spider Fittings.dwg  
Sheet



③ LEFT SIDE

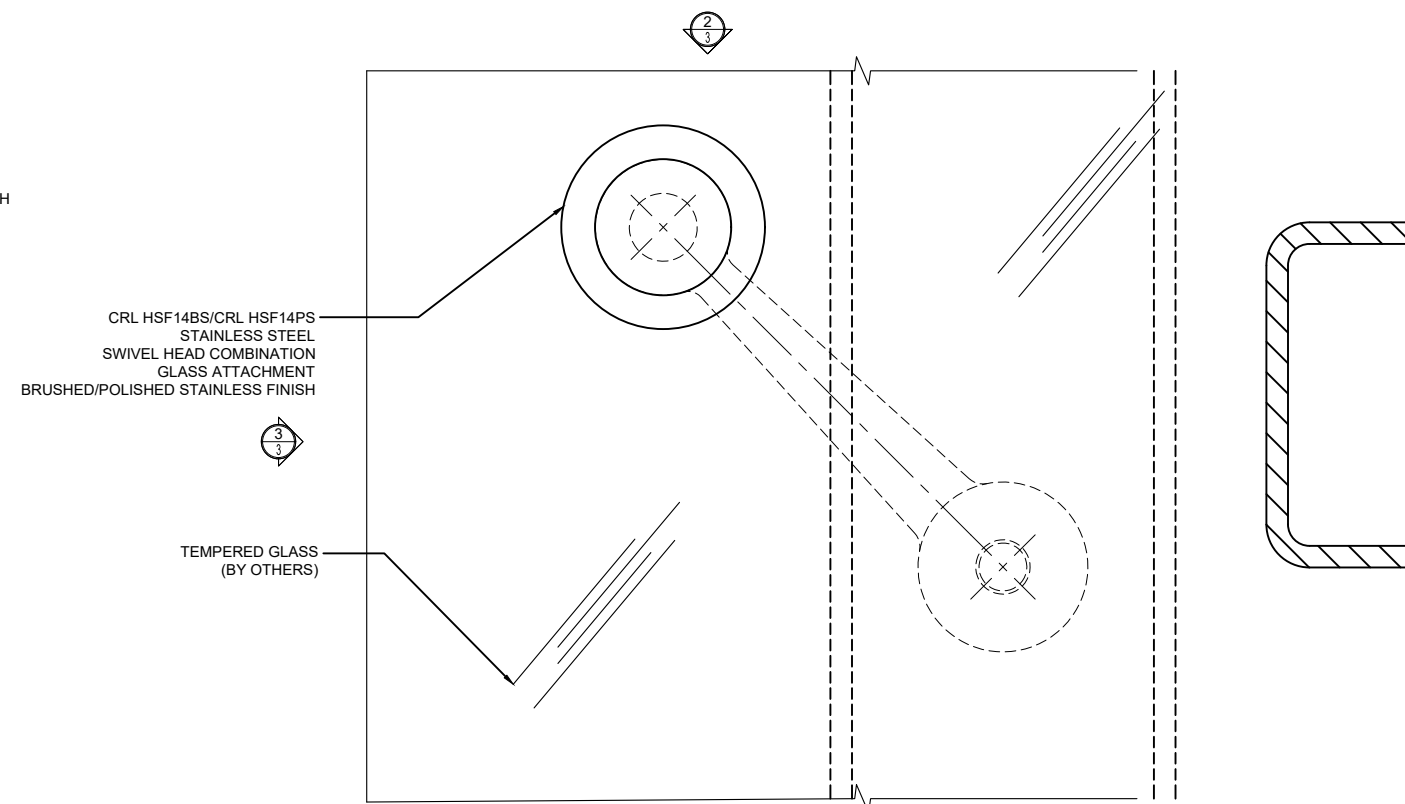
1'-0"=1'-0"

**SINGLE LONG ARM HEAVY-DUTY POST MOUNT FITTING PMH1L**



② TOP VIEW

1'-0"=1'-0"



① ELEVATION

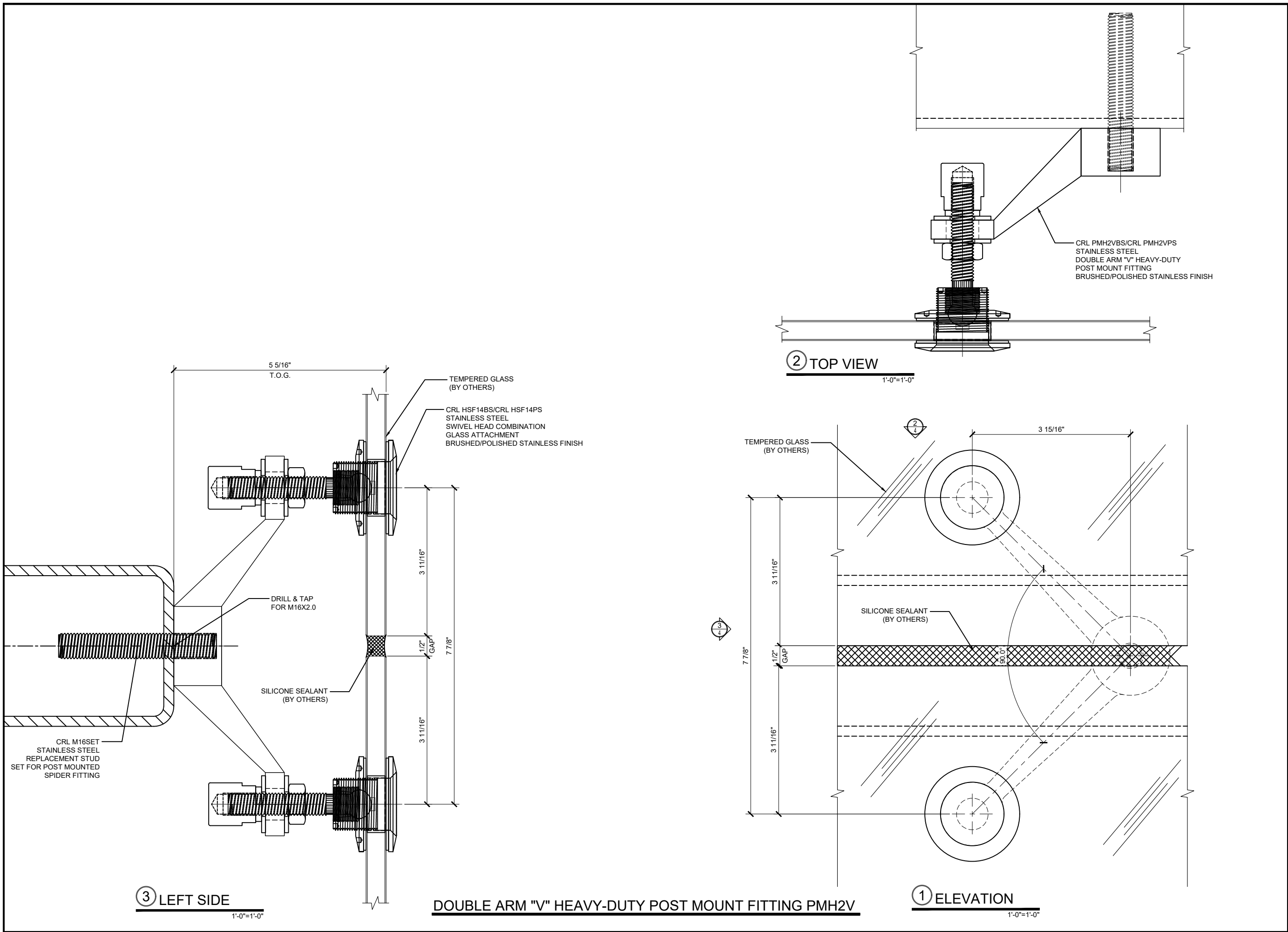
1'-0"=1'-0"

Revisions By:

**CRL**  
**ALUMINUM**  
A CRH COMPANY  
2503 E. Vernon Avenue, Los Angeles, CA 90058-1897  
PH (800)-421-6144 FX: 800-587-7501 www.crlaluminum.com

Description:  
CRL SPIDER FITTINGS

Drawn By: JRM  
Date: 4/4/17  
Scale: FULL  
File Name:  
Heavy Duty Spider Fittings.dwg

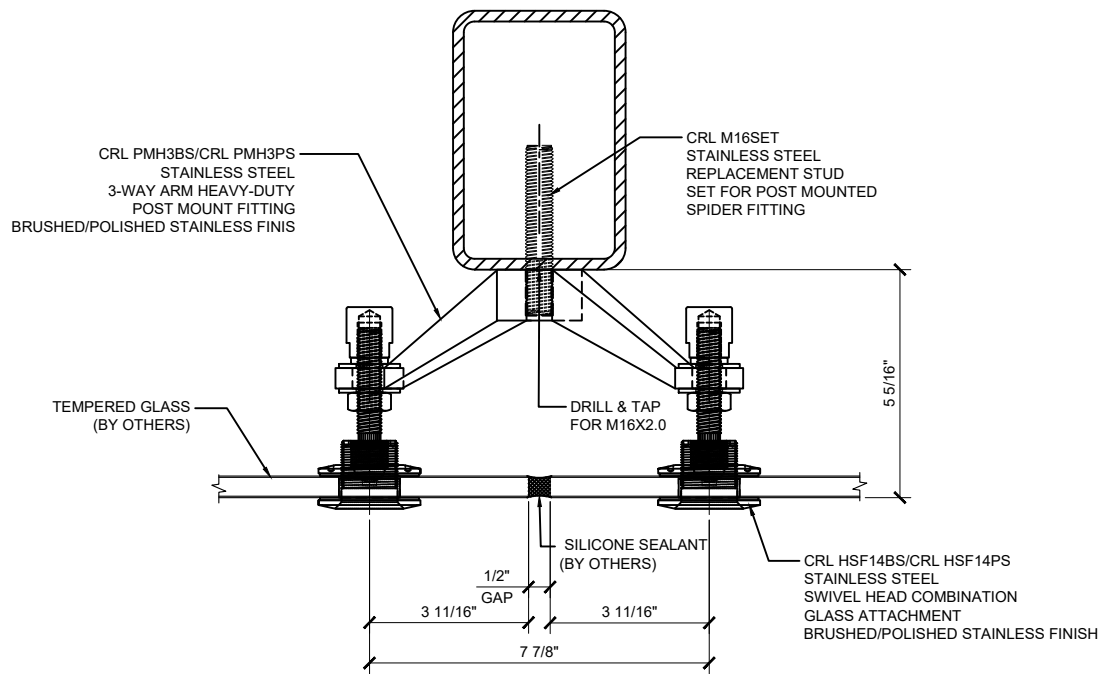


Revisions By:

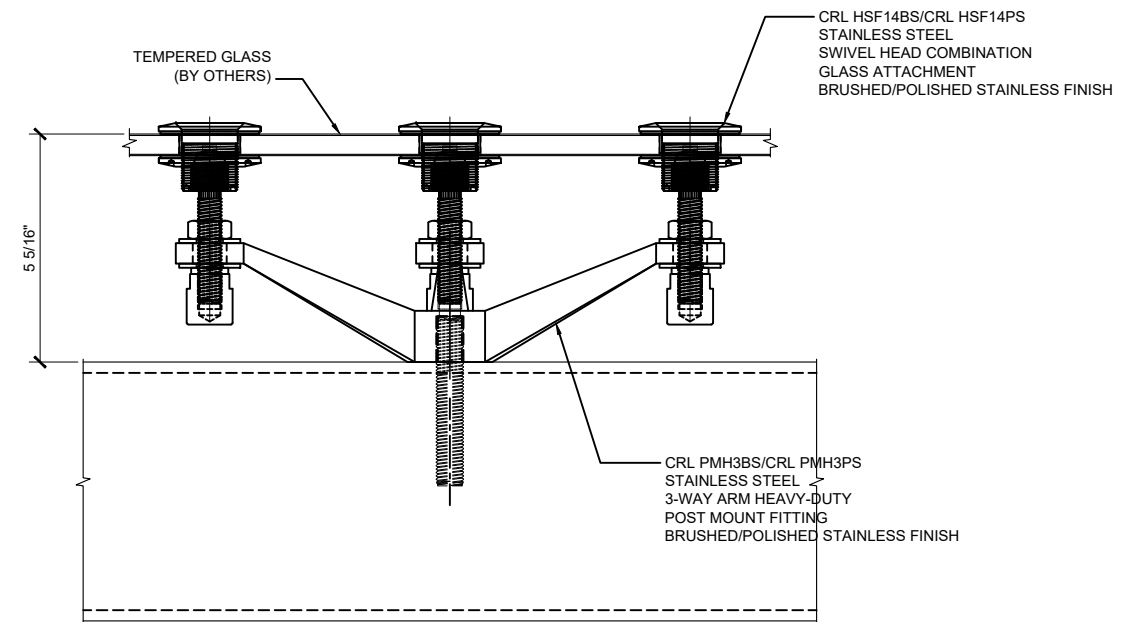

**CAL**  
**ALUMINUM**  
 A CRH COMPANY  
 2503 E. Vernon Avenue, Los Angeles, CA 90058-1897  
 PH (800)-421-6144 FX: 800-587-7501 www.crlaluminum.com

Description:  
 CRL SPIDER FITTINGS

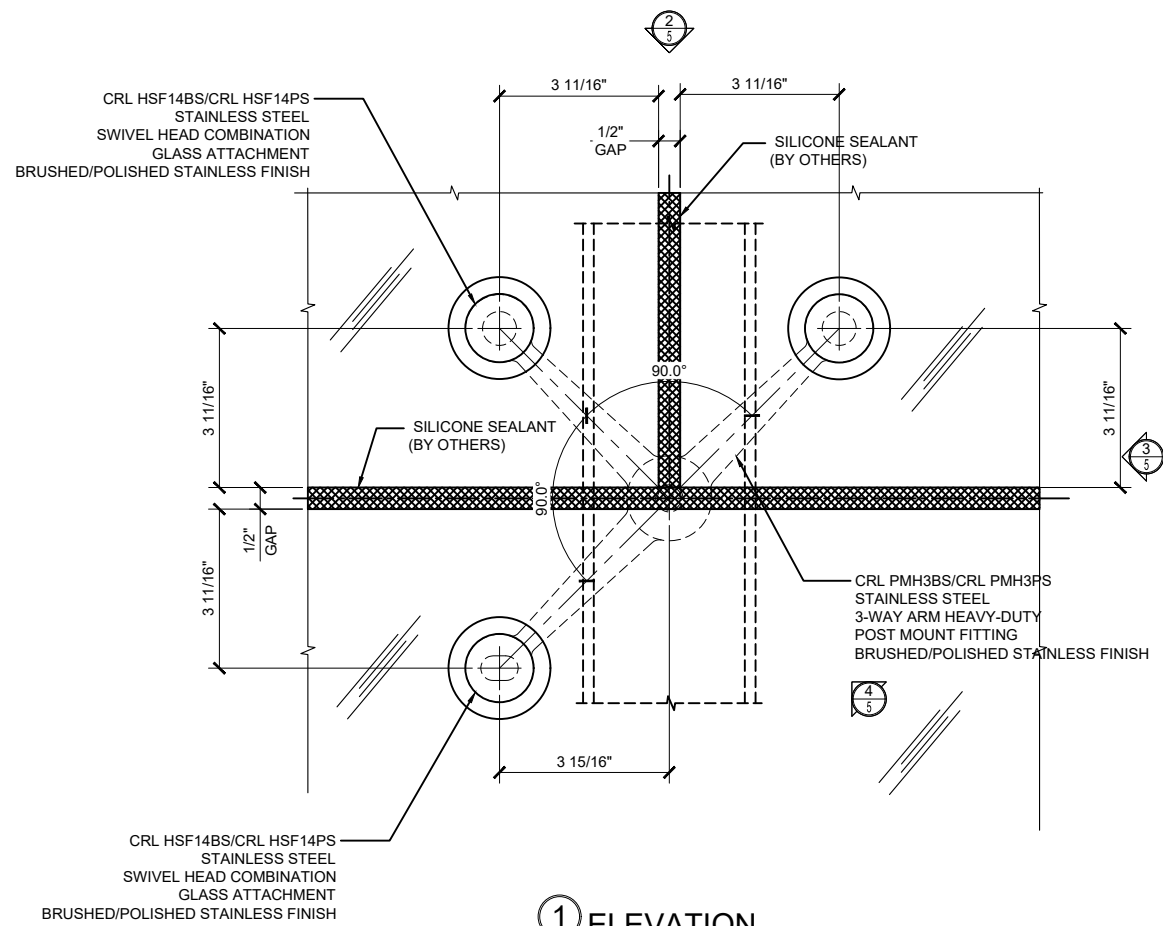
Drawn By: JRM  
 Date: 4/4/17  
 Scale: FULL  
 File Name: Heavy Duty Spider Fittings.dwg



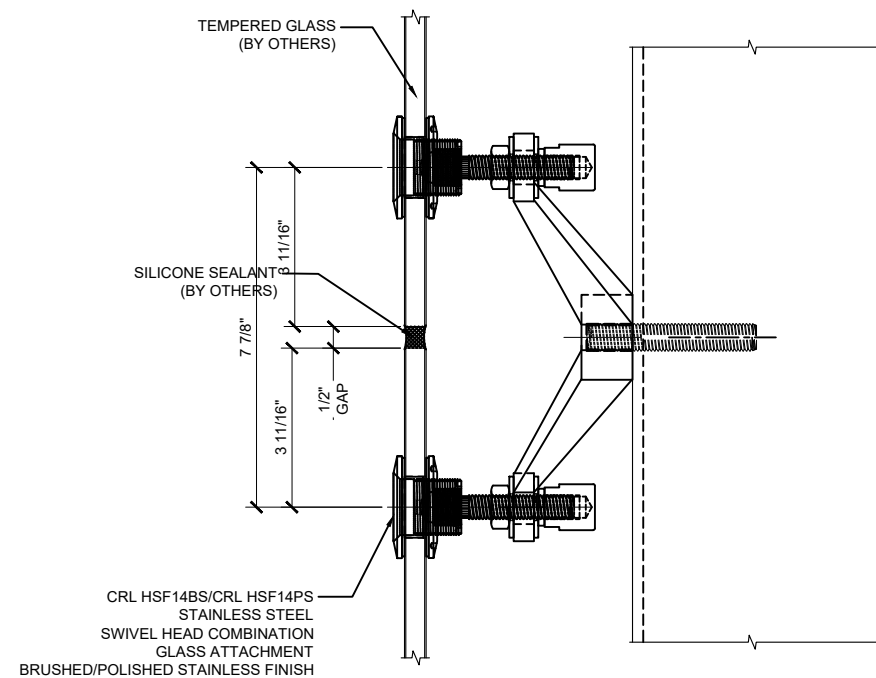
② TOP VIEW  
6"=1'-0"



④ AUXILIARY VIEW  
6"=1'-0"



① ELEVATION  
6"=1'-0"



③ RIGHT SIDE  
6"=1'-0"

**3-WAY ARM HEAVY-DUTY POST MOUNT FITTING PMH3**

Revisions By:

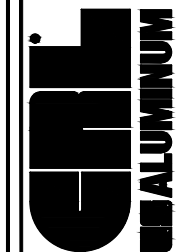


A CRL COMPANY  
2503 E. Vernon Avenue, Los Angeles, CA 90058-1897  
PH (800) 421-6144 FX 800-587-7501 www.crlaluminum.com

Description:  
CRL SPIDER FITTINGS

Drawn By: JRM  
Date: 4/4/17  
Scale: 6"=1'-0"  
File Name: Heavy Duty Spider Fittings.dwg  
Sheet

Revisions By:



A CRH COMPANY  
2503 E. Vernon Avenue, Los Angeles, CA 90058-1897  
PH (800)-421-6144 FX: 800-587-7501 www.crlaurence.com

Description:  
CRL SPIDER FITTINGS

Drawn By: JRM

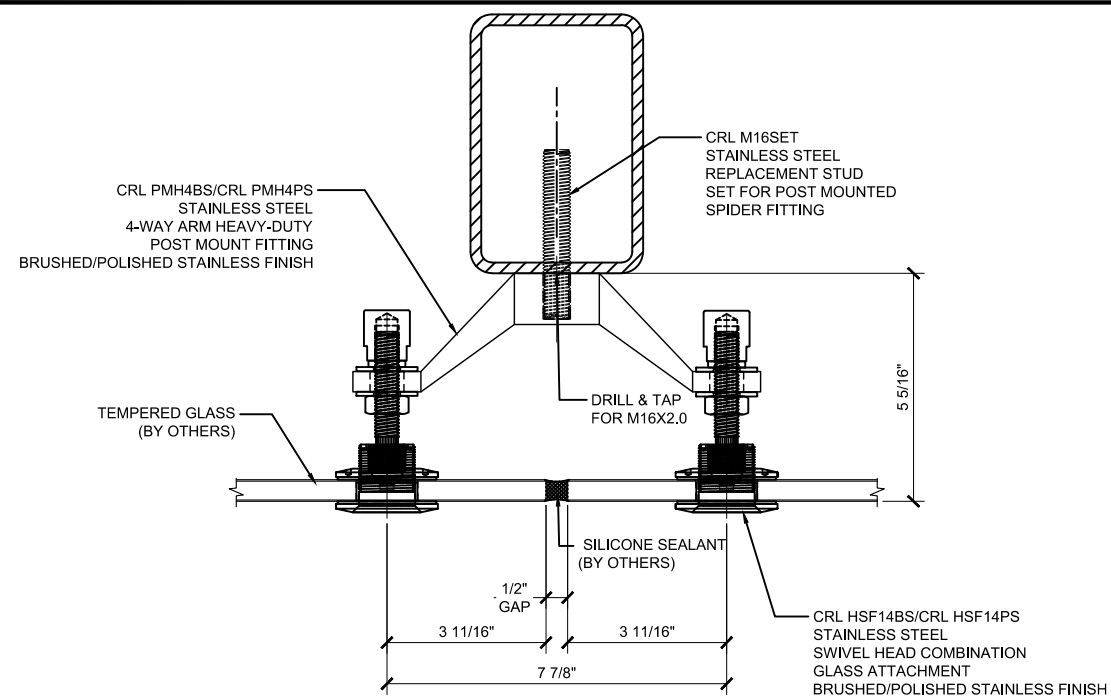
Date: 4/4/17

Scale: 6"=1'-0"

File Name:  
Heavy Duty Spider Fittings.dwg

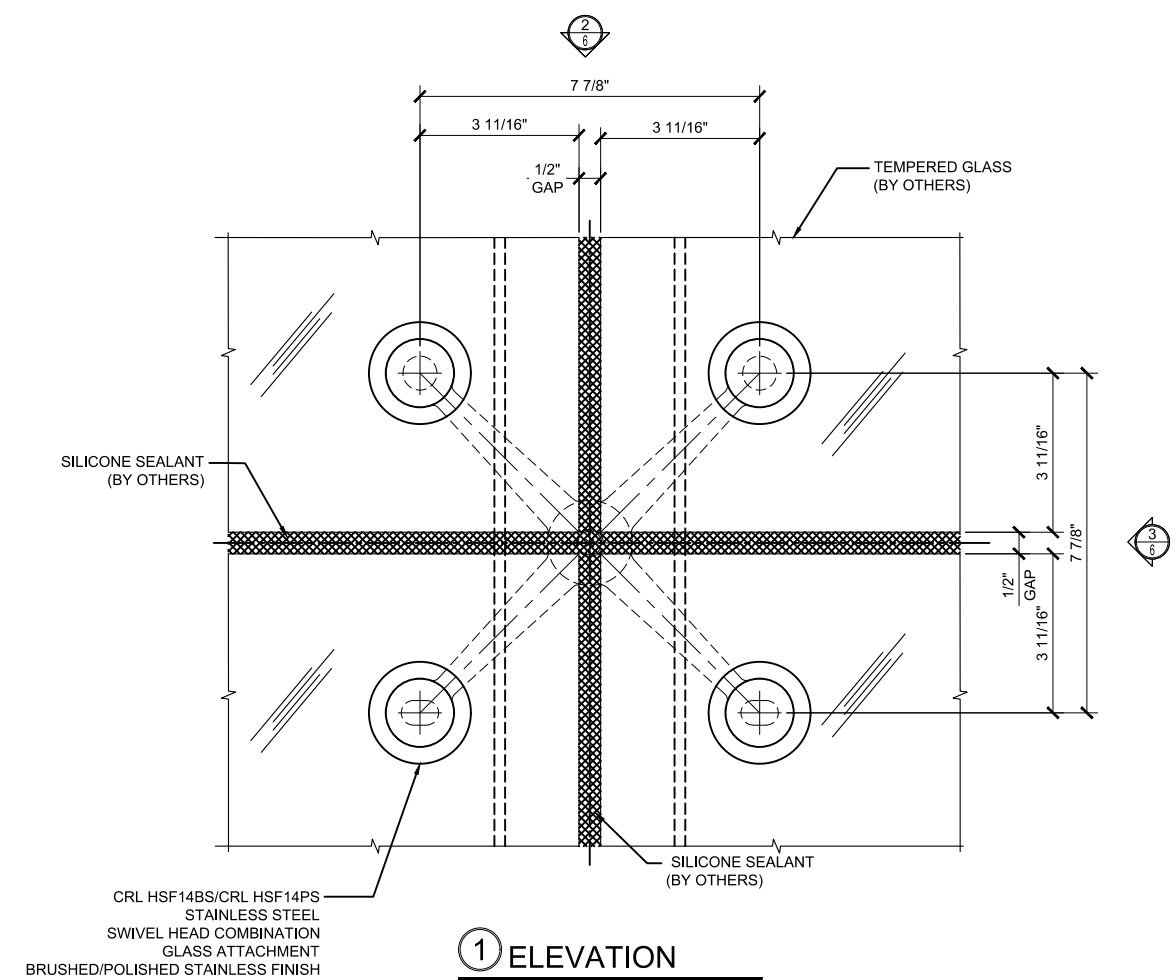
Sheet

6



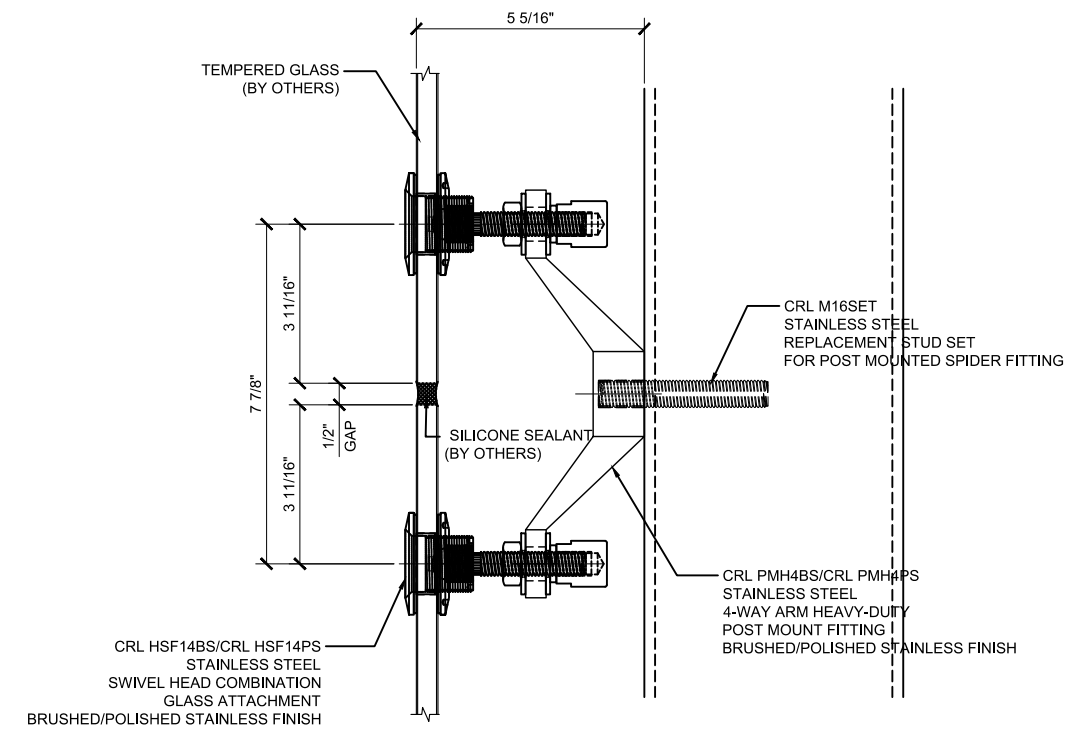
② TOP VIEW

6"=1'-0"



① ELEVATION

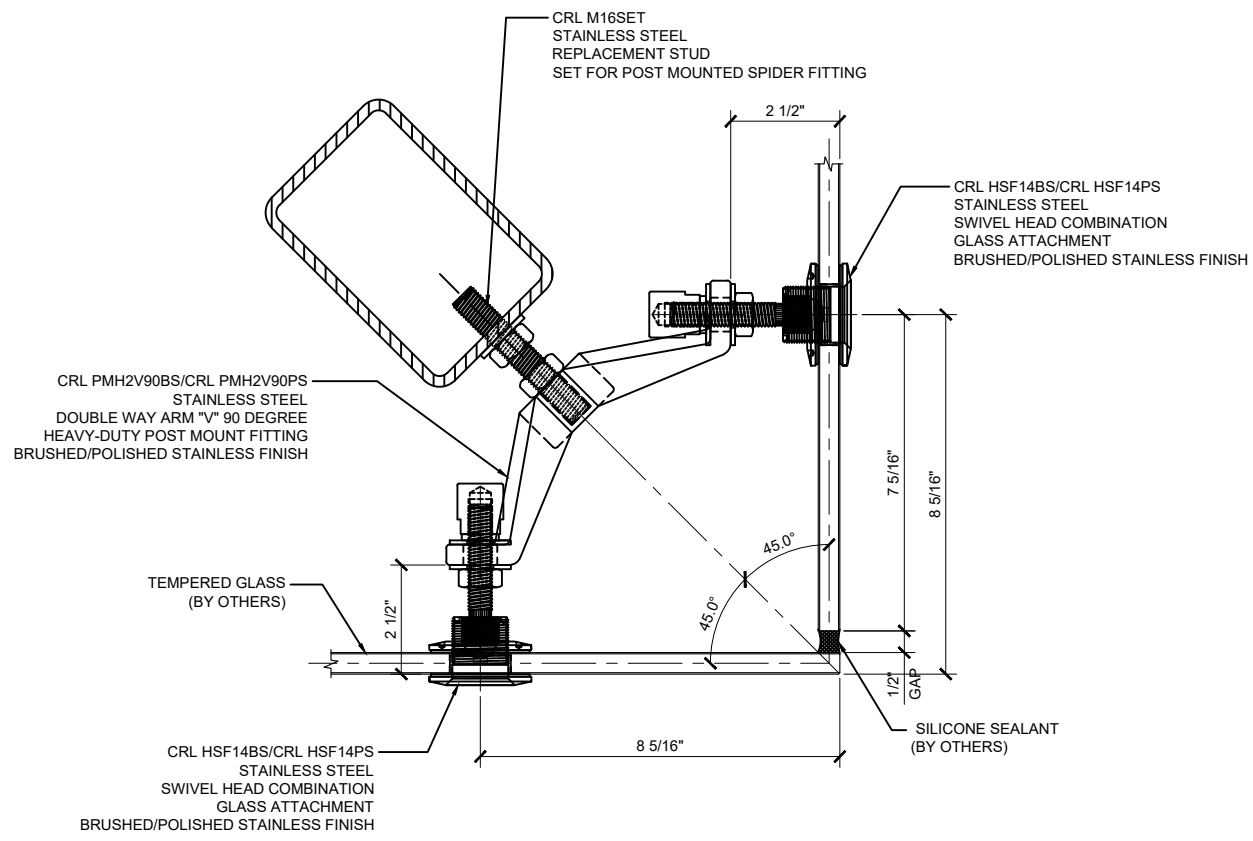
6"=1'-0"



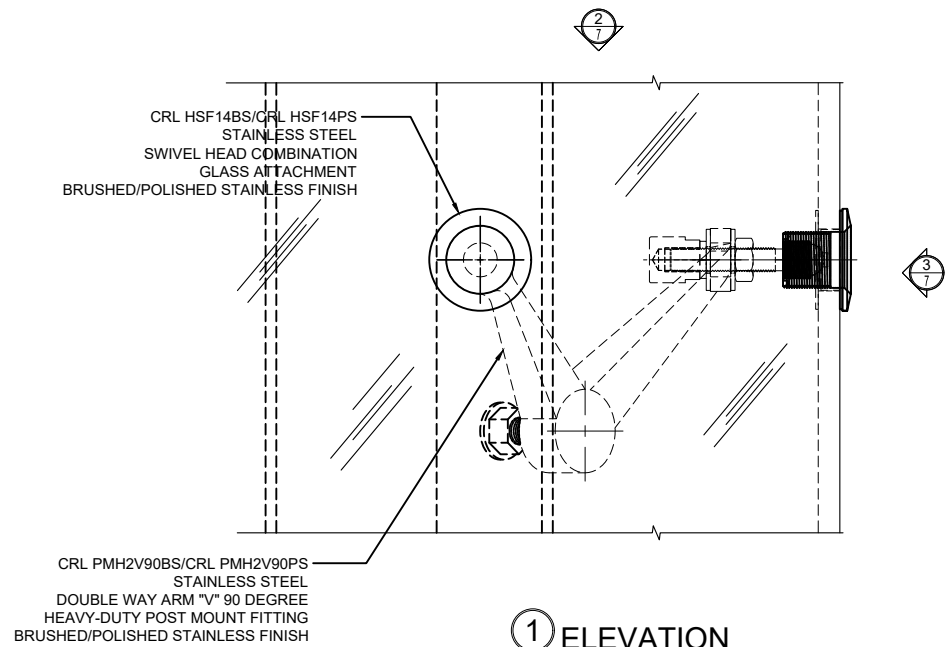
③ RIGHT SIDE

6"=1'-0"

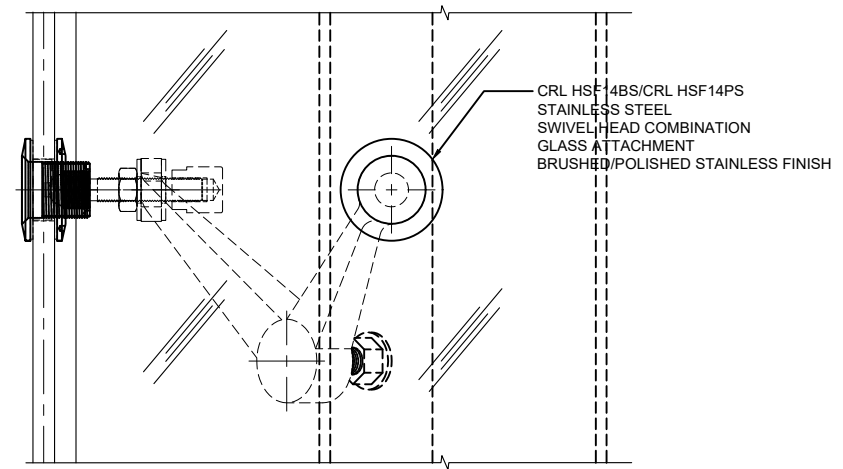
**4-WAY ARM HEAVY-DUTY POST MOUNT FITTING PMH4**



② TOP VIEW  
6"=1'-0"



① ELEVATION  
6"=1'-0"



③ RIGHT SIDE  
6"=1'-0"

DOUBLE ARM "V" 90 DEGREE HEAVY-DUTY POST MOUNT FITTING PMH2V90

Revisions By:

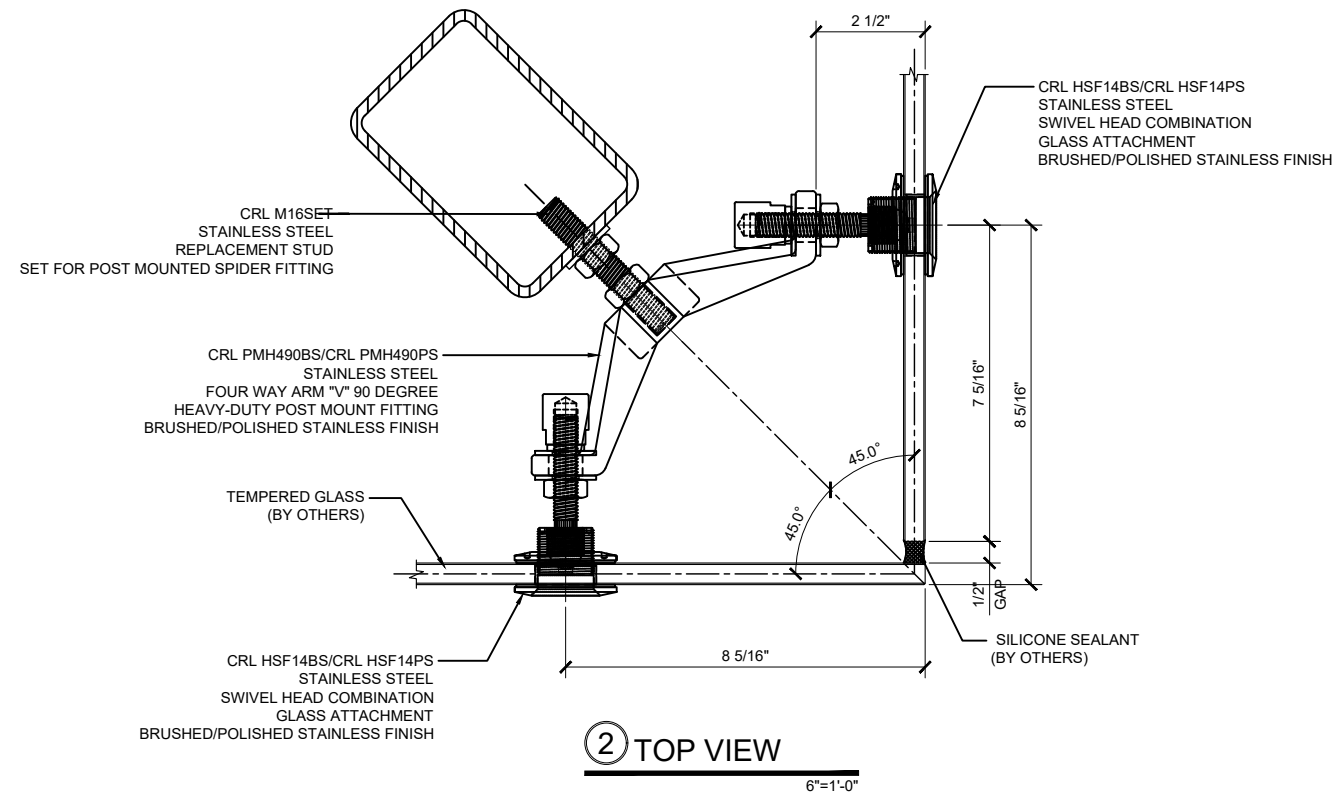


A CRH COMPANY  
2503 E. Vernon Avenue, Los Angeles, CA 90058-1897  
PH (800)-421-6144 FX: 800-587-7501 www.crlaurence.com

Description:  
CRL SPIDER FITTINGS

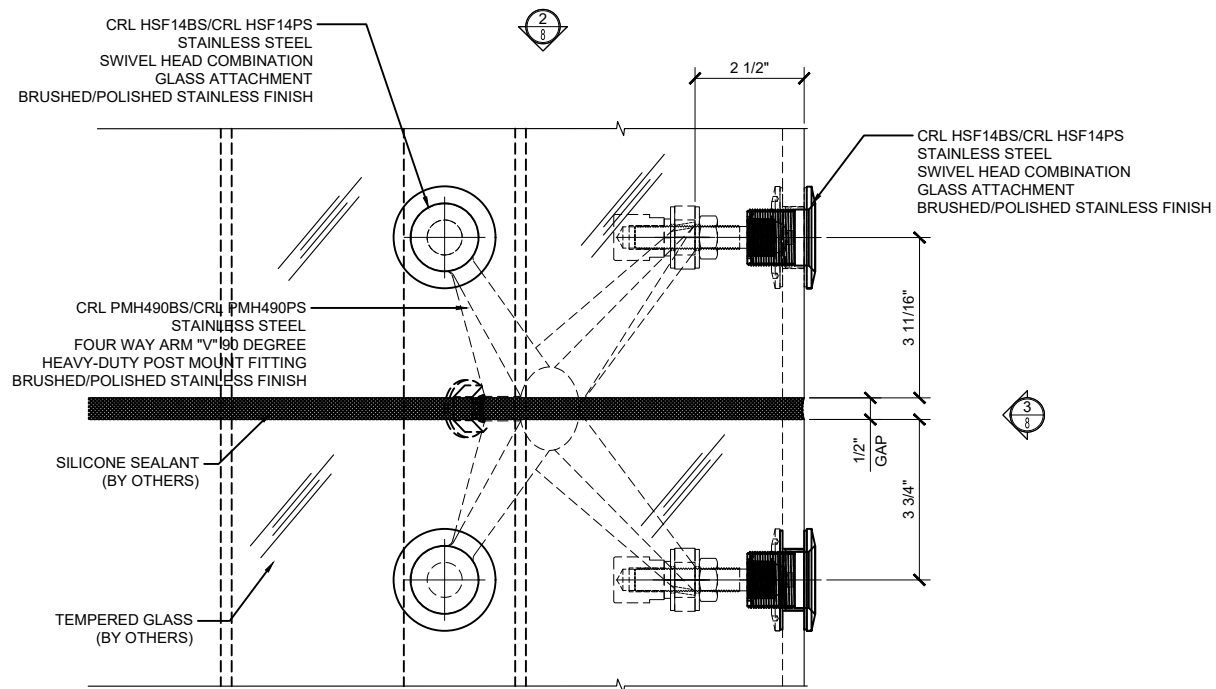
Drawn By: JRM  
Date: 4/4/17  
Scale: 6"=1'-0"  
File Name: Heavy Duty Spider Fittings.dwg  
Sheet





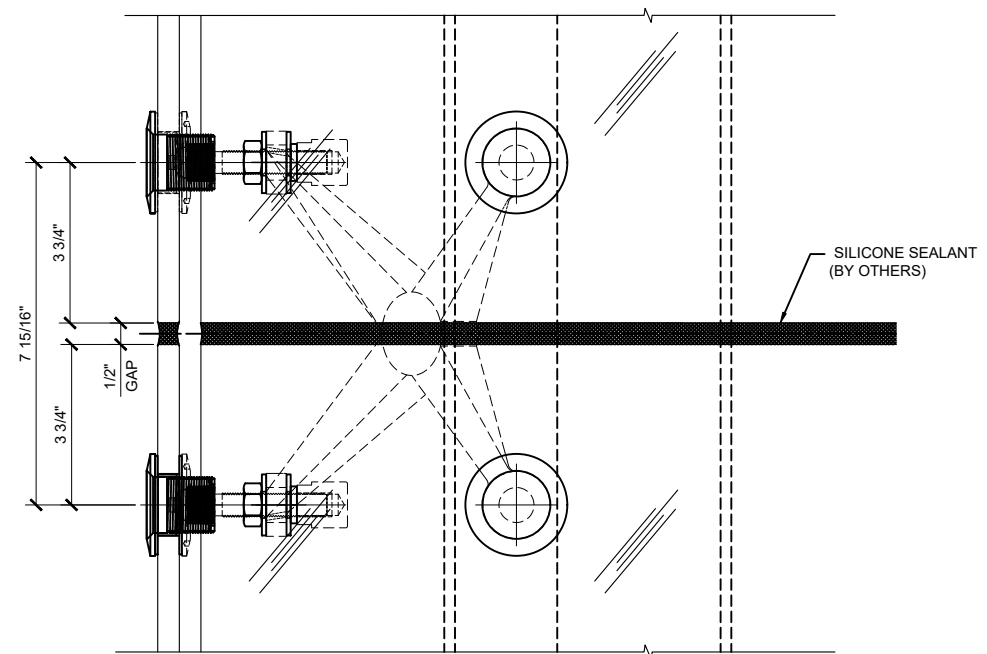
② TOP VIEW

6"=1'-0"



① ELEVATION

6"=1'-0"

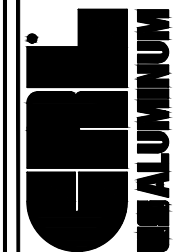


③ RIGHT SIDE

6"=1'-0"

**4-WAY ARM 90 DEGREE HEAVY-DUTY POST MOUNT FITTING PMH490**

Revisions By:



A CRH COMPANY  
2503 E. Vernon Avenue, Los Angeles, CA 90058-1897  
PH (800)-421-6144 FX: 800-587-7501 www.crlaluminum.com

Description:  
CRL SPIDER FITTINGS

Drawn By:JRM

Date: 4/4/17

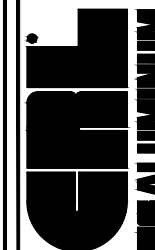
Scale: 6"=1'-0"

File Name:  
Heavy Duty Spider Fittings.dwg

Sheet

8

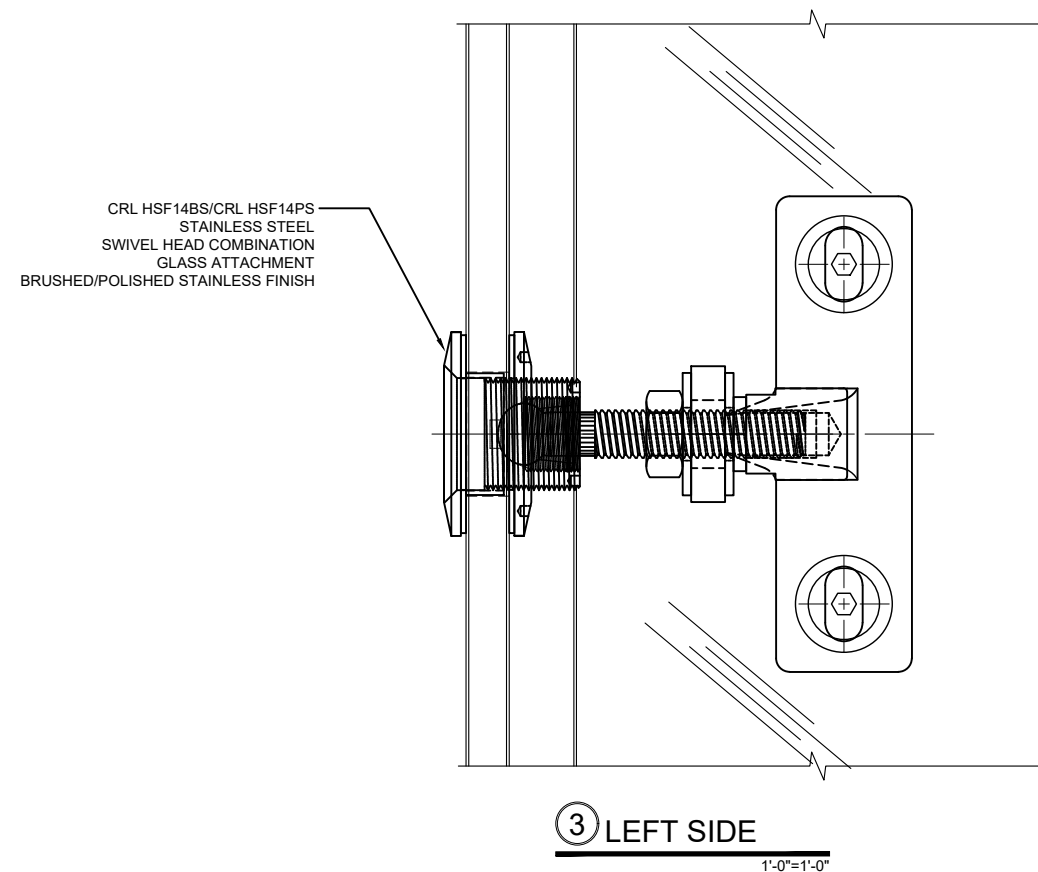
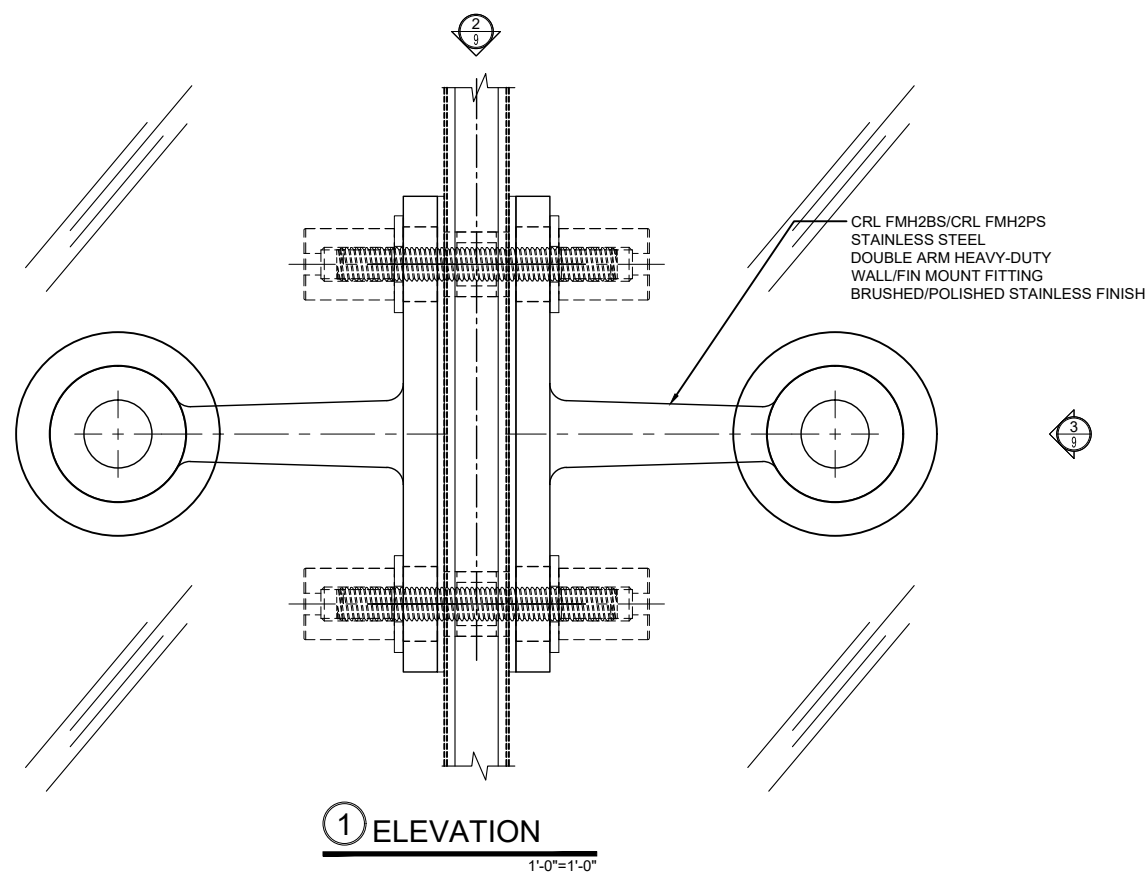
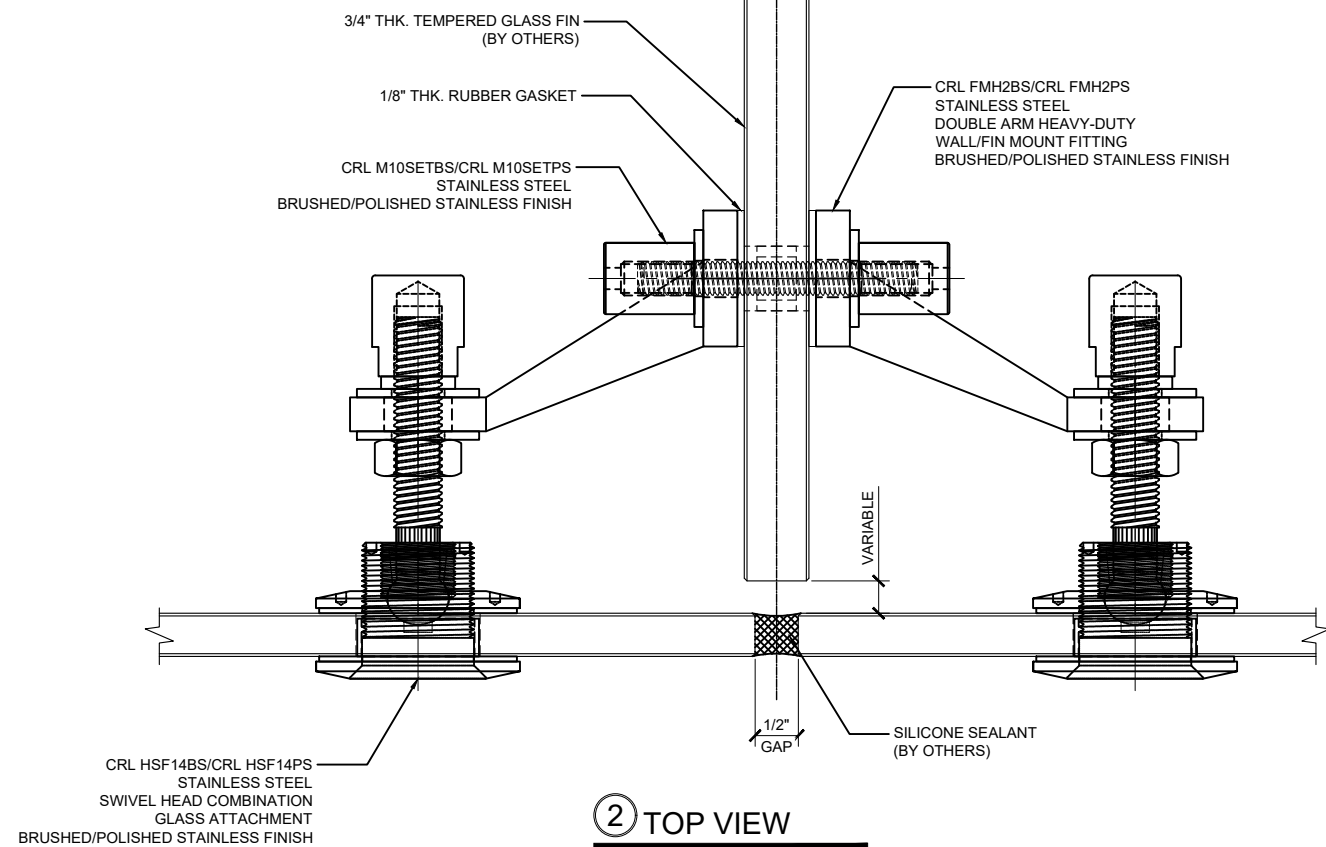
Revisions By:



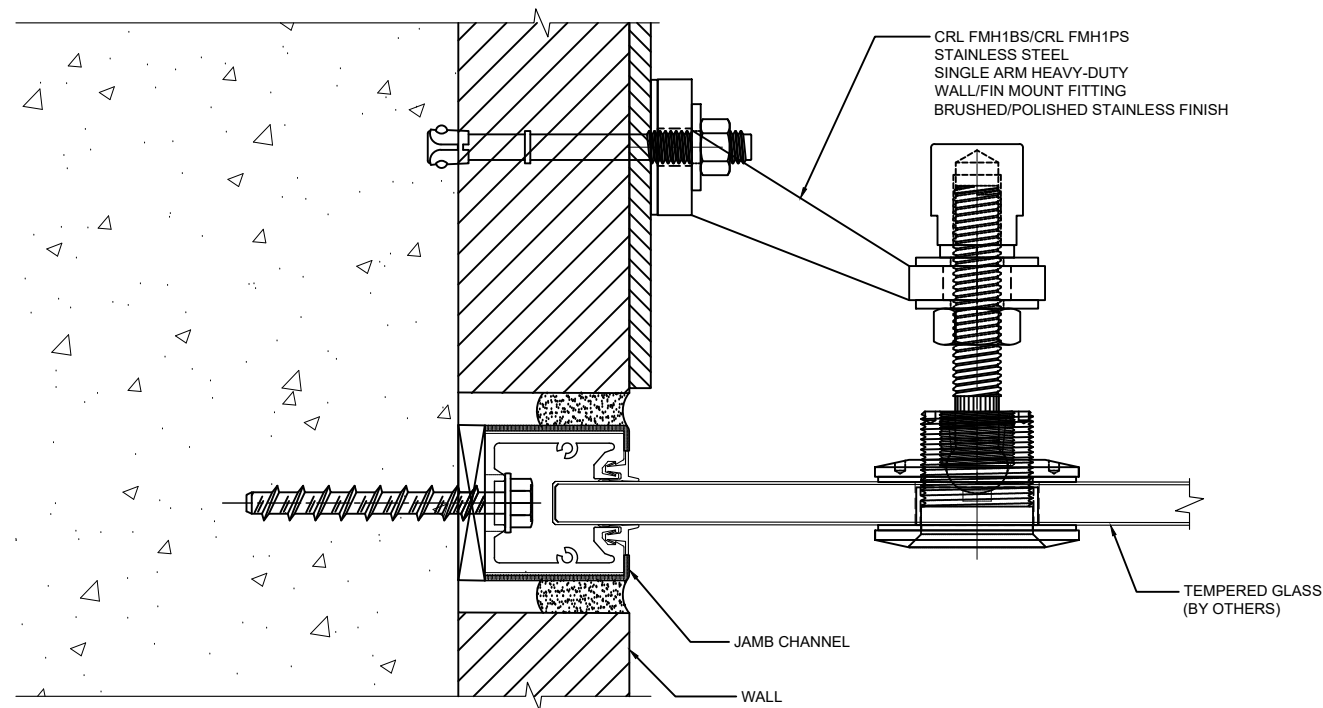
A CRH COMPANY  
2503 E. Vernon Avenue, Los Angeles, CA 90058-1897  
PH (800)-421-6144 FX: 800-587-7501 www.crlaurence.com

Description:  
CRL SPIDER FITTINGS

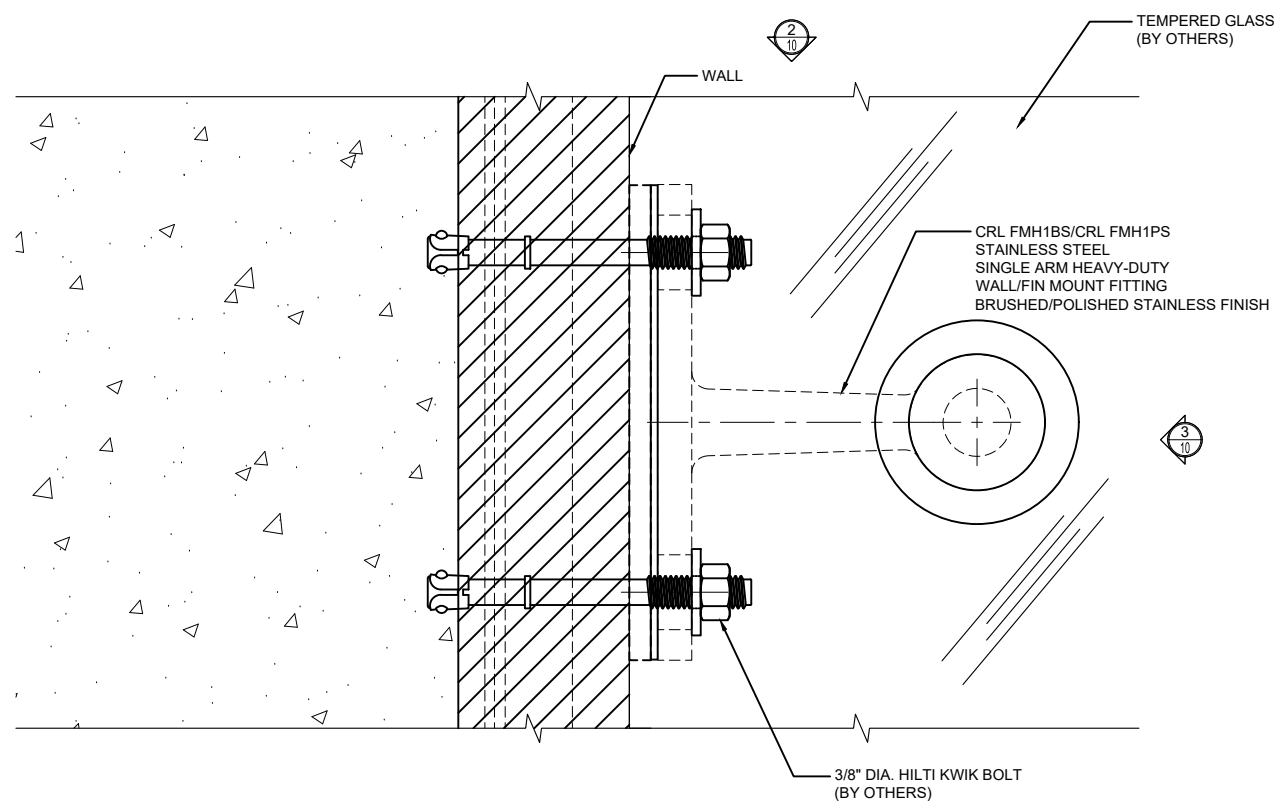
Drawn By: JRM  
Date: 4/4/17  
Scale: FULL  
File Name: Heavy Duty Spider Fittings.dwg  
Sheet



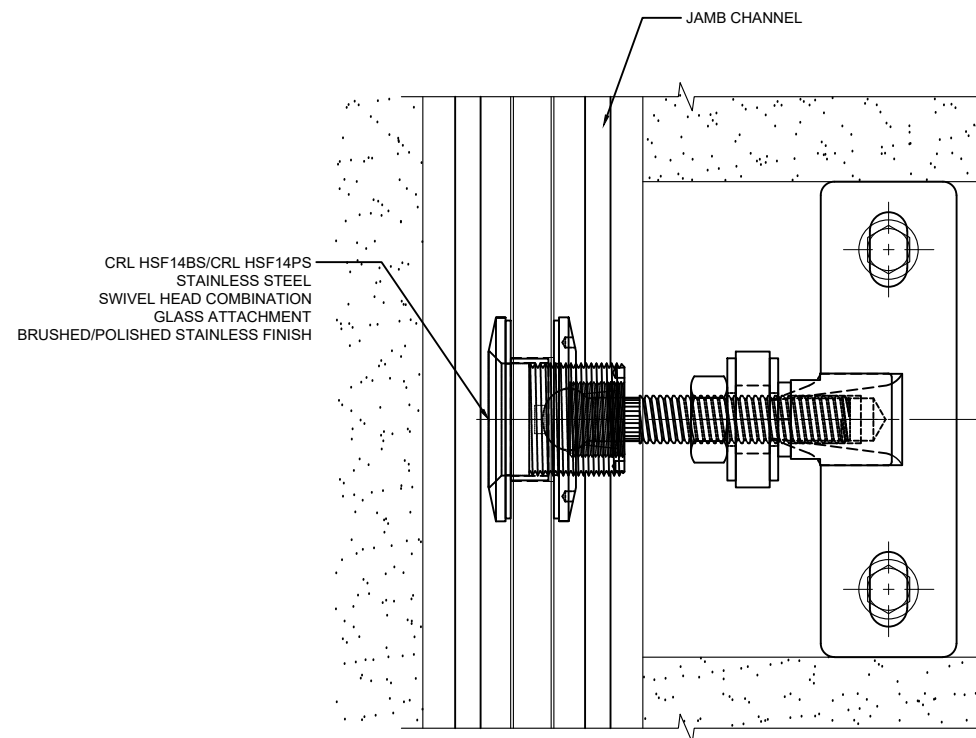
DOUBLE ARM HEAVY-DUTY WALL/FIN MOUNT FITTING FMH2



② TOP VIEW  
1'-0"=1'-0"



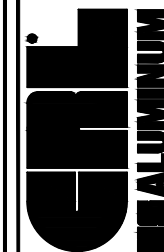
① ELEVATION  
1'-0"=1'-0"



③ RIGHT SIDE  
1'-0"=1'-0"

SINGLE ARM HEAVY-DUTY WALL/FIN MOUNT FITTING FMH1

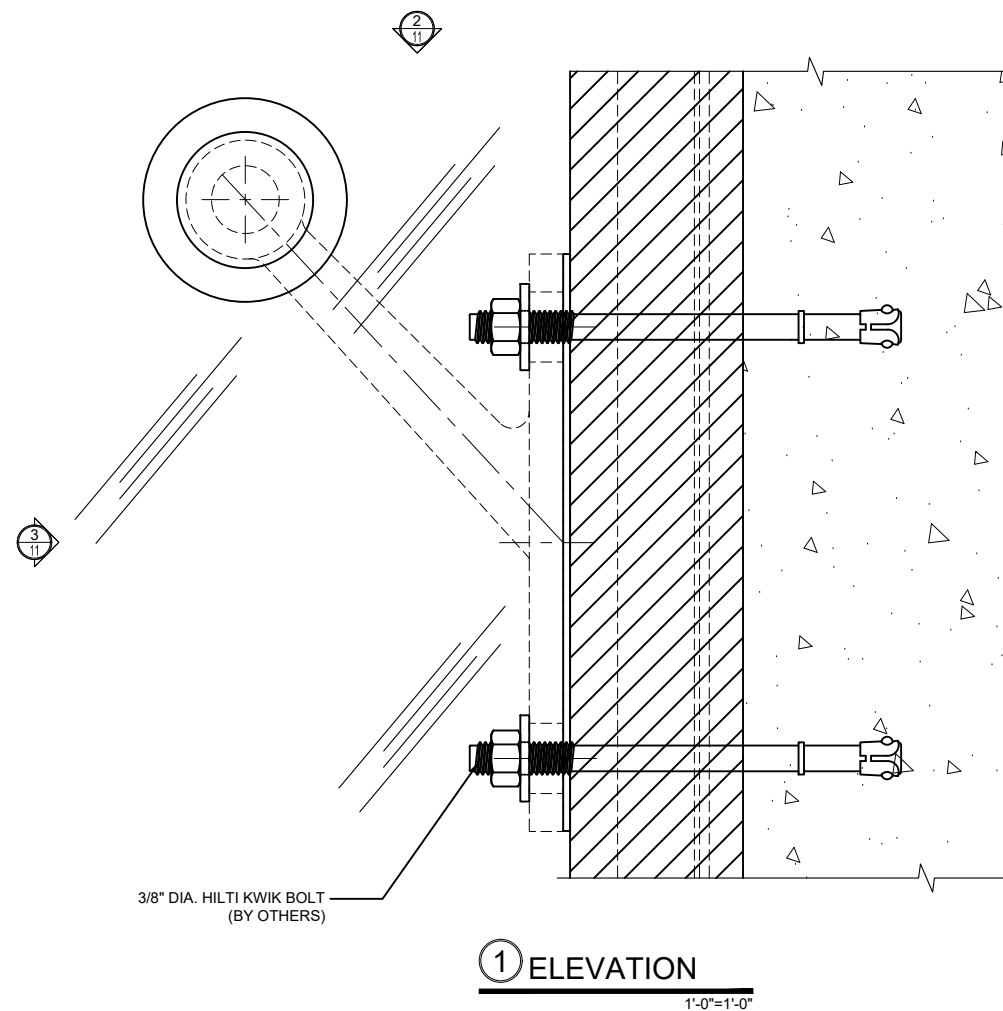
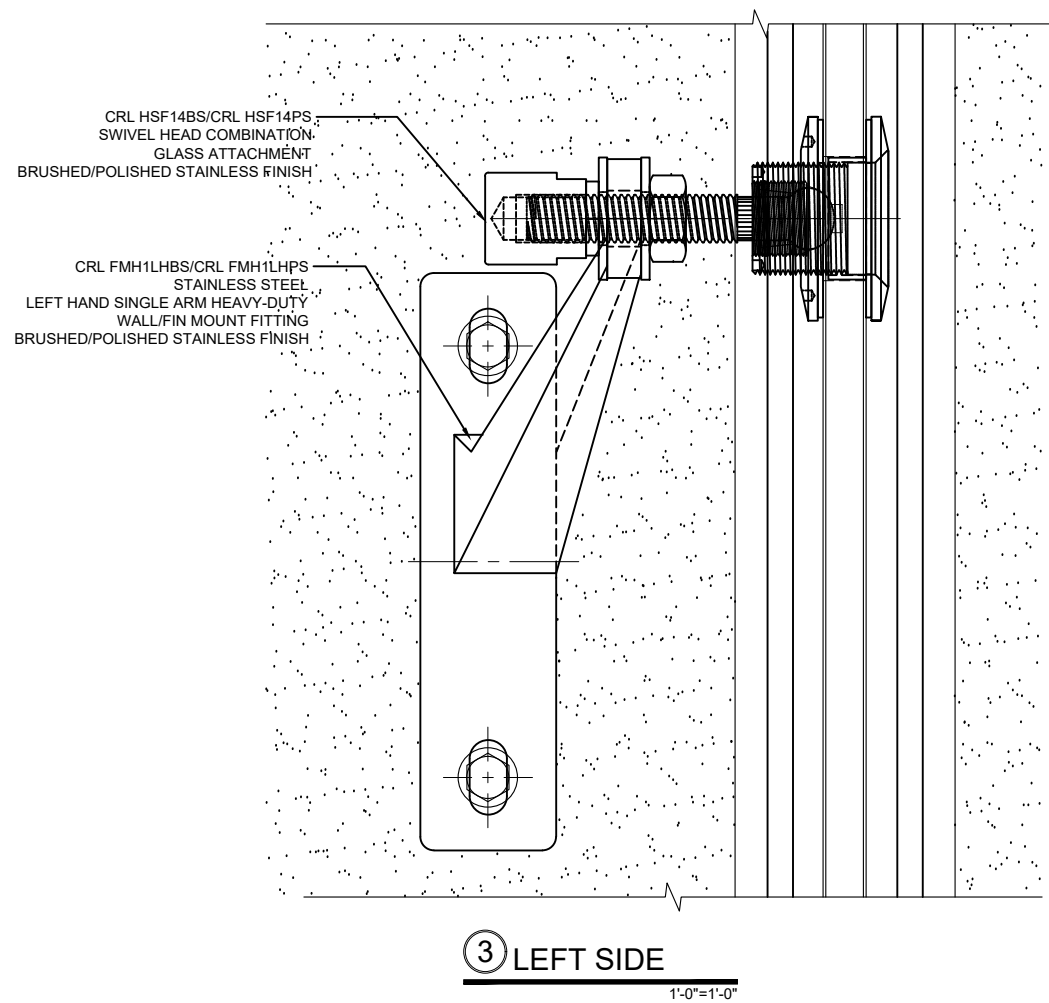
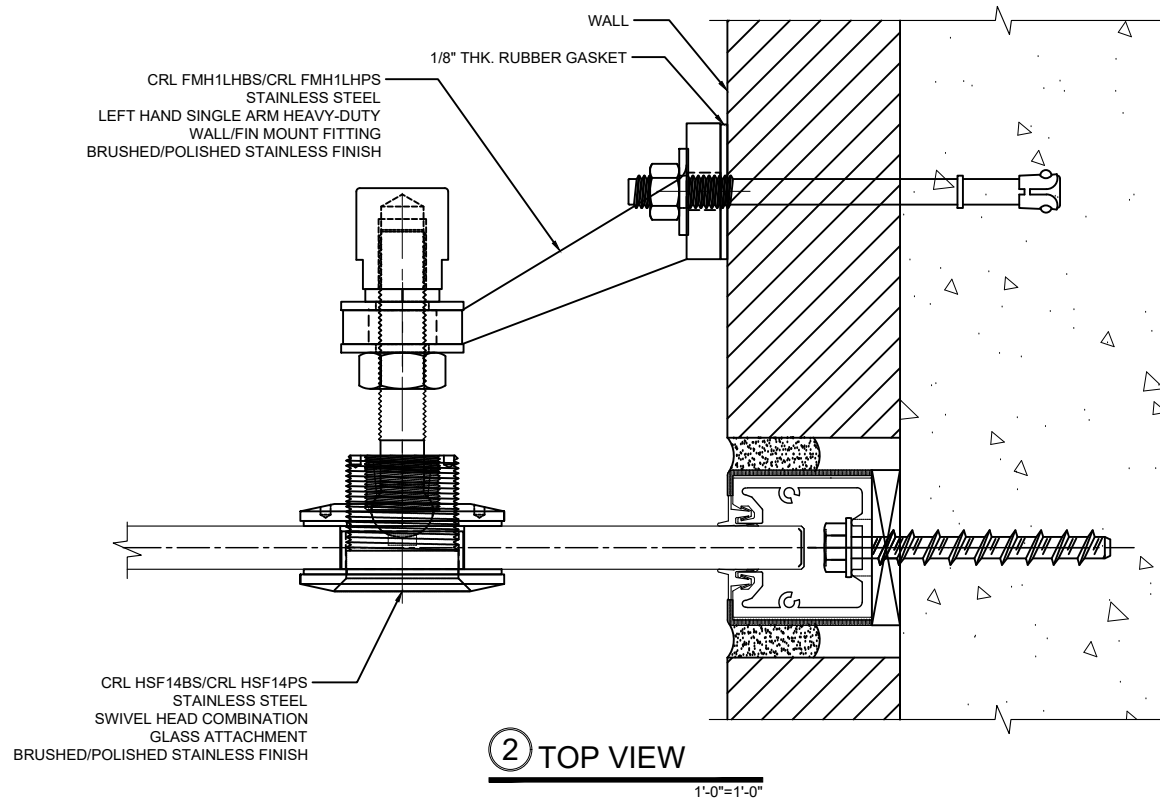
Revisions By:



A CRH COMPANY  
2503 E. Vernon Avenue, Los Angeles, CA 90058-1897  
PH (800)-421-6144 FX: 800-587-7501 www.crlaluminum.com

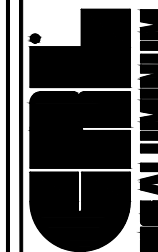
Description:  
CRL SPIDER FITTINGS

Drawn By: JRM  
Date: 4/4/17  
Scale: FULL  
File Name: Heavy Duty Spider Fittings.dwg  
Sheet



**LEFT HAND SINGLE ARM HEAVY-DUTY WALL/FIN MOUNT FITTING FMH1LH**

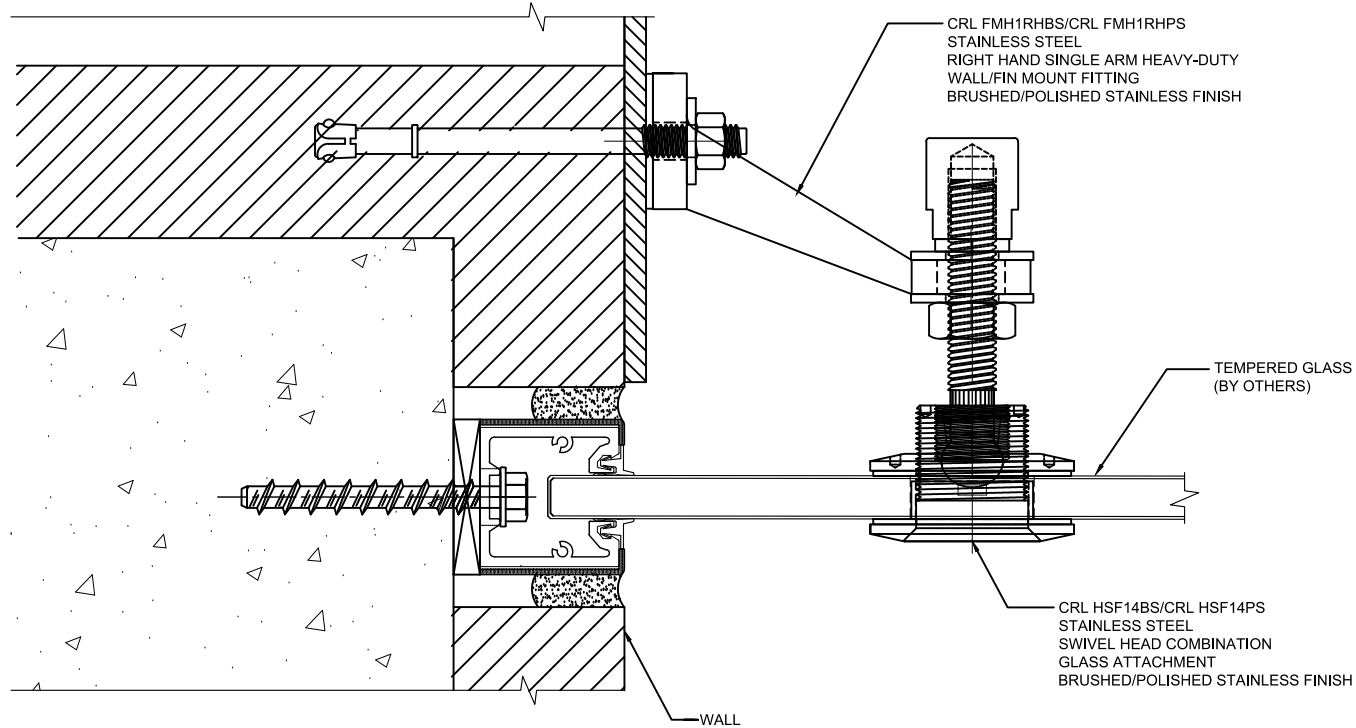
Revisions By:



2503 E. Vernon Avenue, Los Angeles, CA 90058-1897  
PH (800)-421-6144 FX 800-587-7501 www.crlaluminum.com

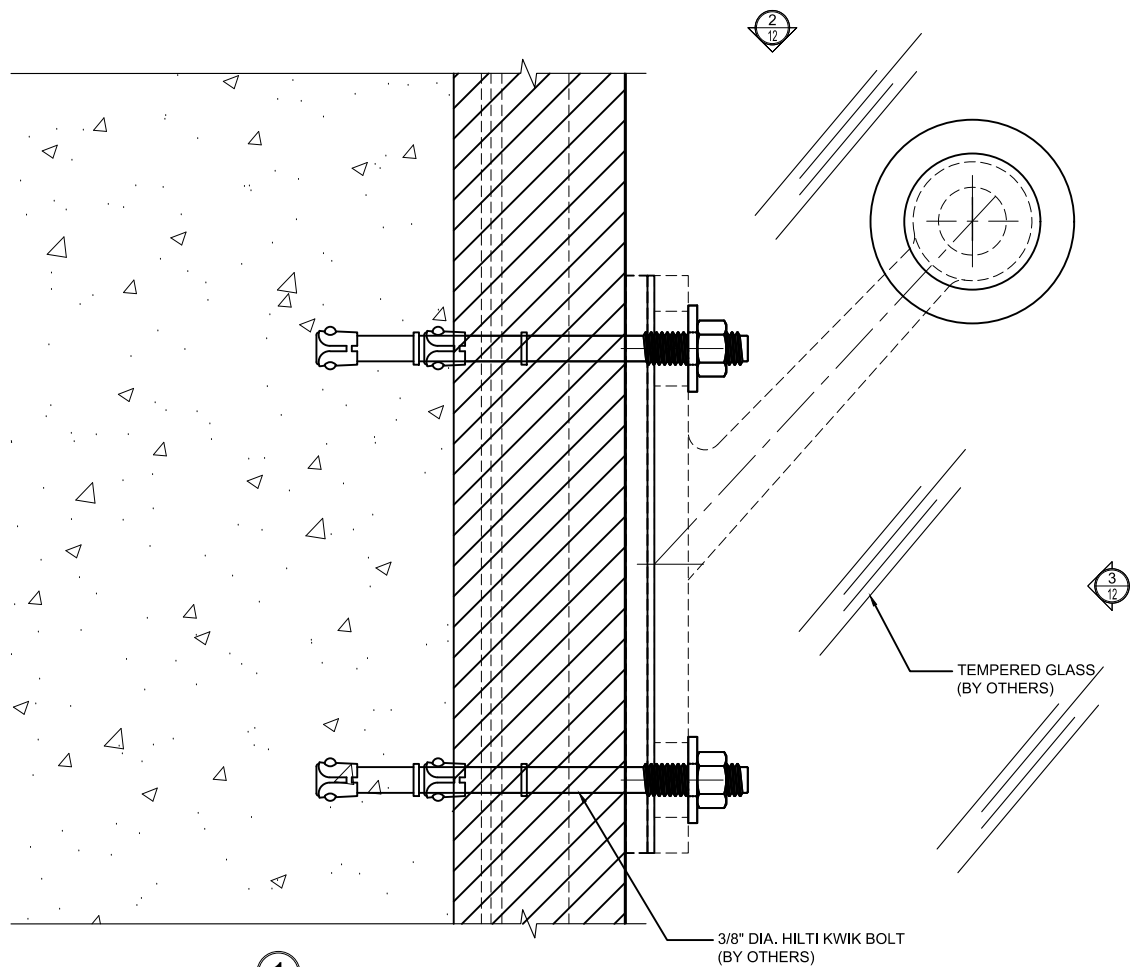
Description:  
CRL SPIDER FITTINGS

Drawn By: JRM  
Date: 4/4/17  
Scale: FULL  
File Name: Heavy Duty Spider Fittings.dwg  
Sheet



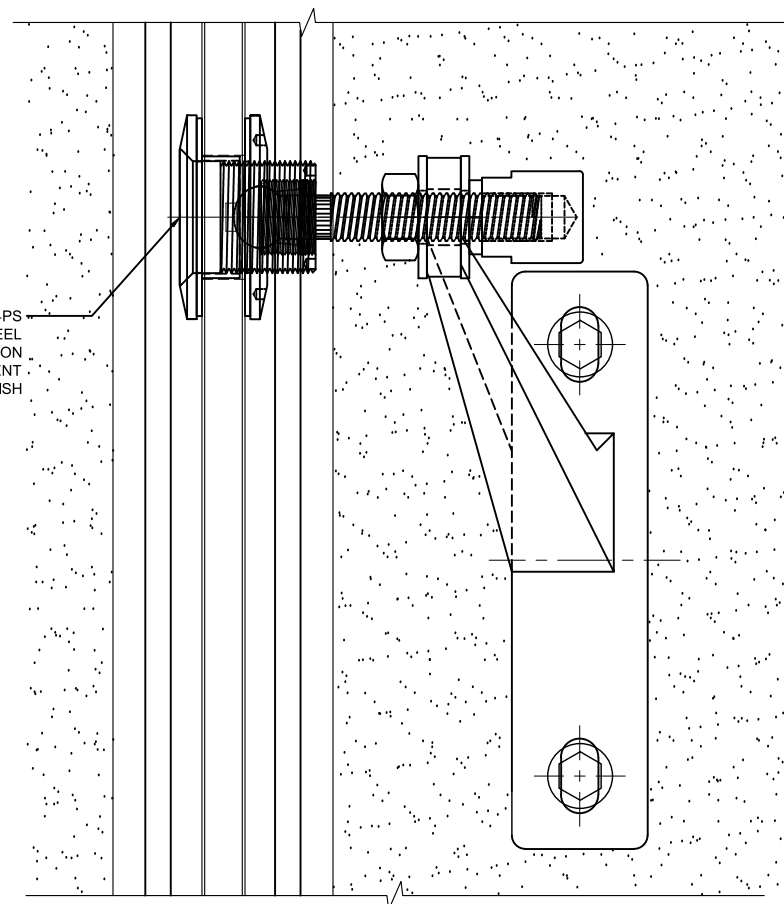
② TOP VIEW

1'-0"=1'-0"



① ELEVATION

1'-0"=1'-0"

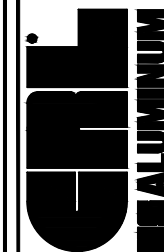


③ RIGHT SIDE

1'-0"=1'-0"

**RIGHT HAND SINGLE ARM HEAVY-DUTY WALL/FIN MOUNT FITTING FMH1RH**

Revisions By:



A CRH COMPANY  
2503 E. Vernon Avenue, Los Angeles, CA 90058-1897  
PH (800)-421-6144 FX: 800-587-7501 www.crlaluminum.com

Description:  
CRL SPIDER FITTINGS

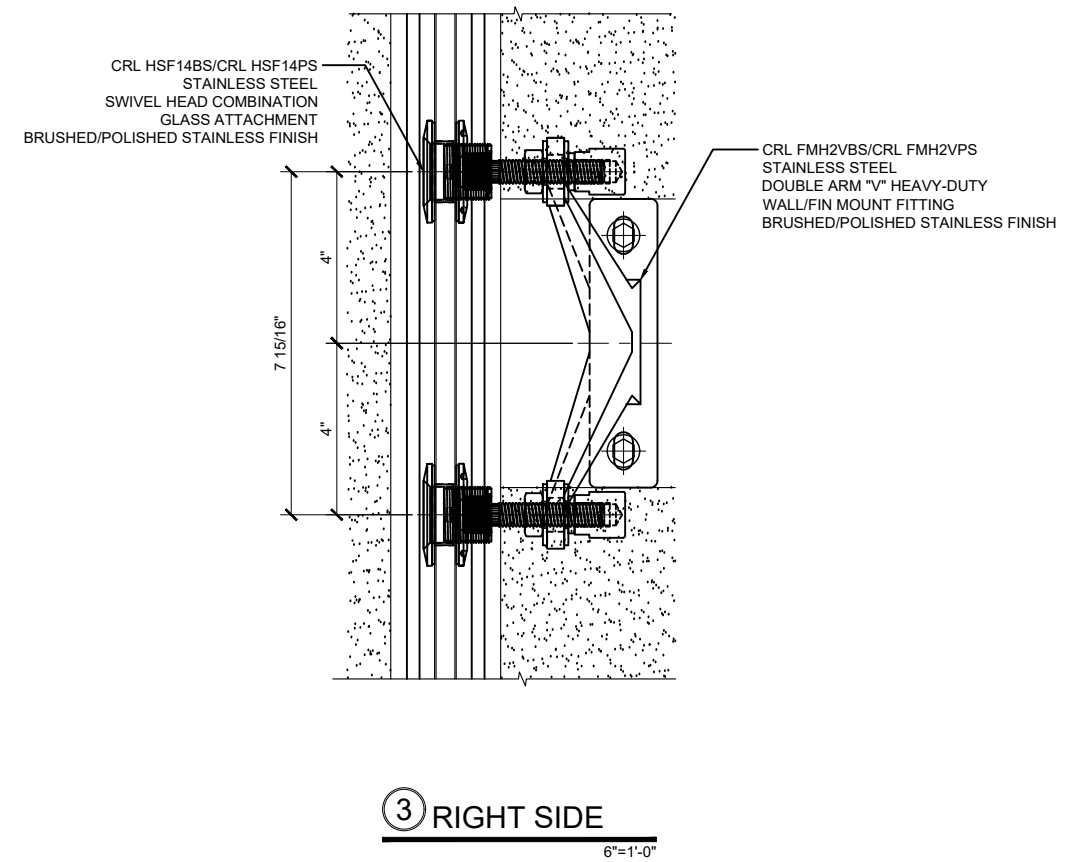
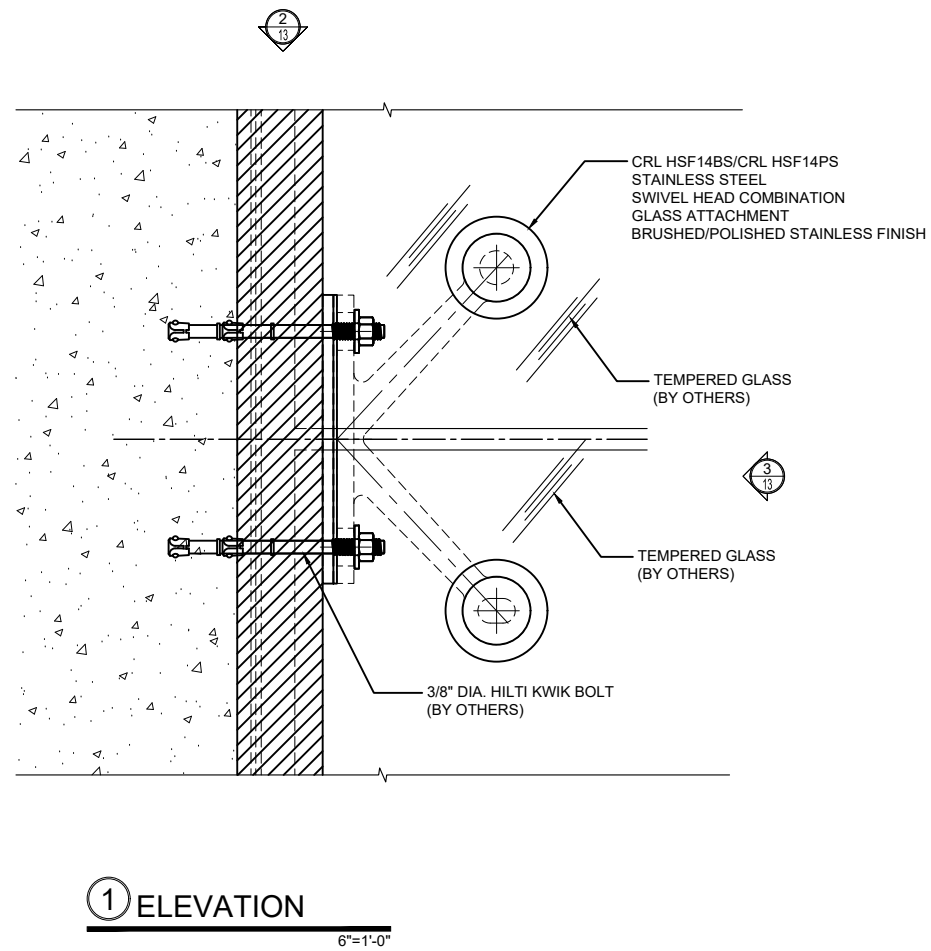
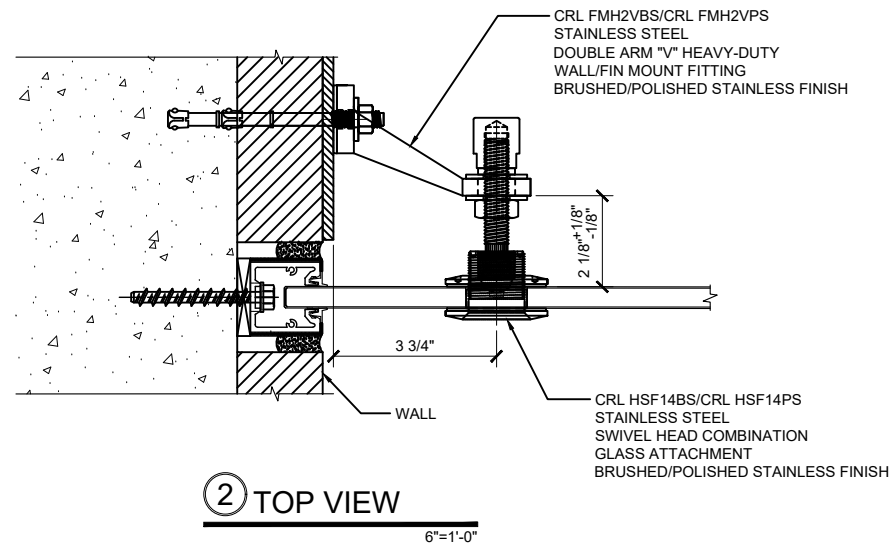
Drawn By: JRM

Date: 4/4/17

Scale: FULL

File Name: Heavy Duty Spider Fittings.dwg

Sheet



**ASSEMBLY - DOUBLE ARM "V" HEAVY-DUTY WALL/FIN MOUNT FITTING FMH2V**

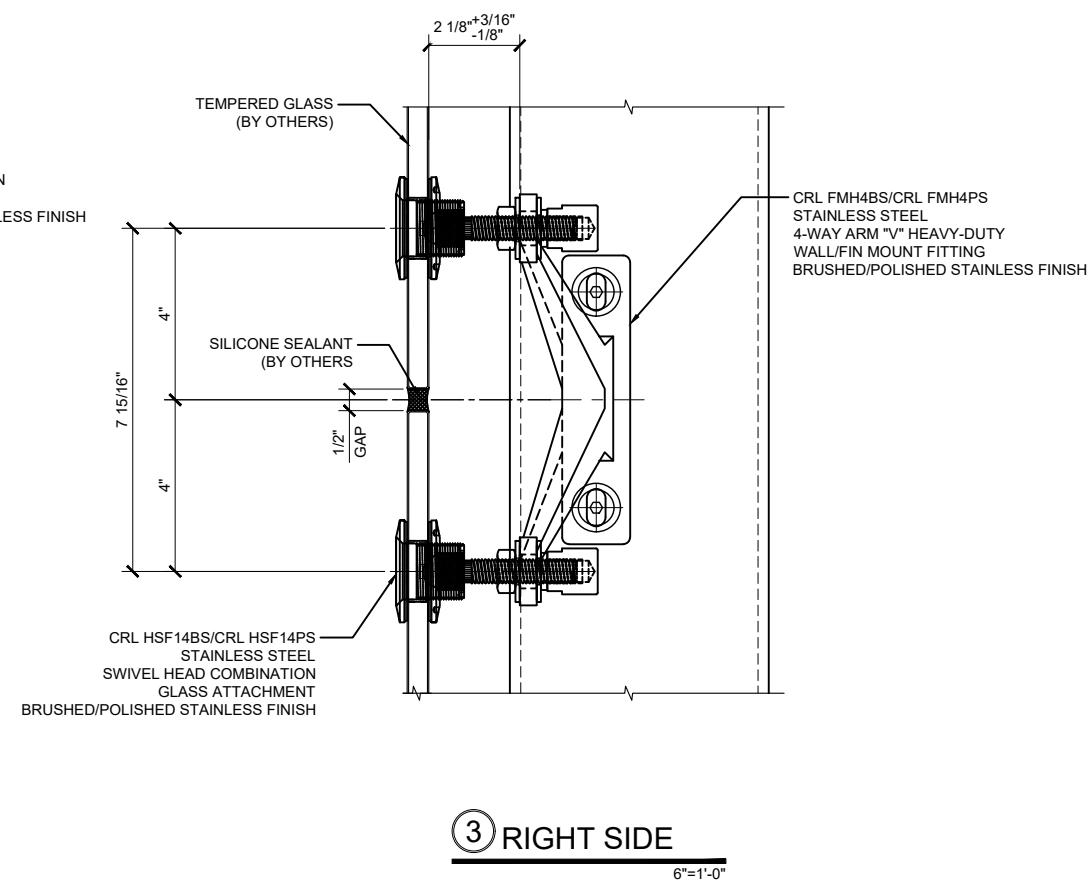
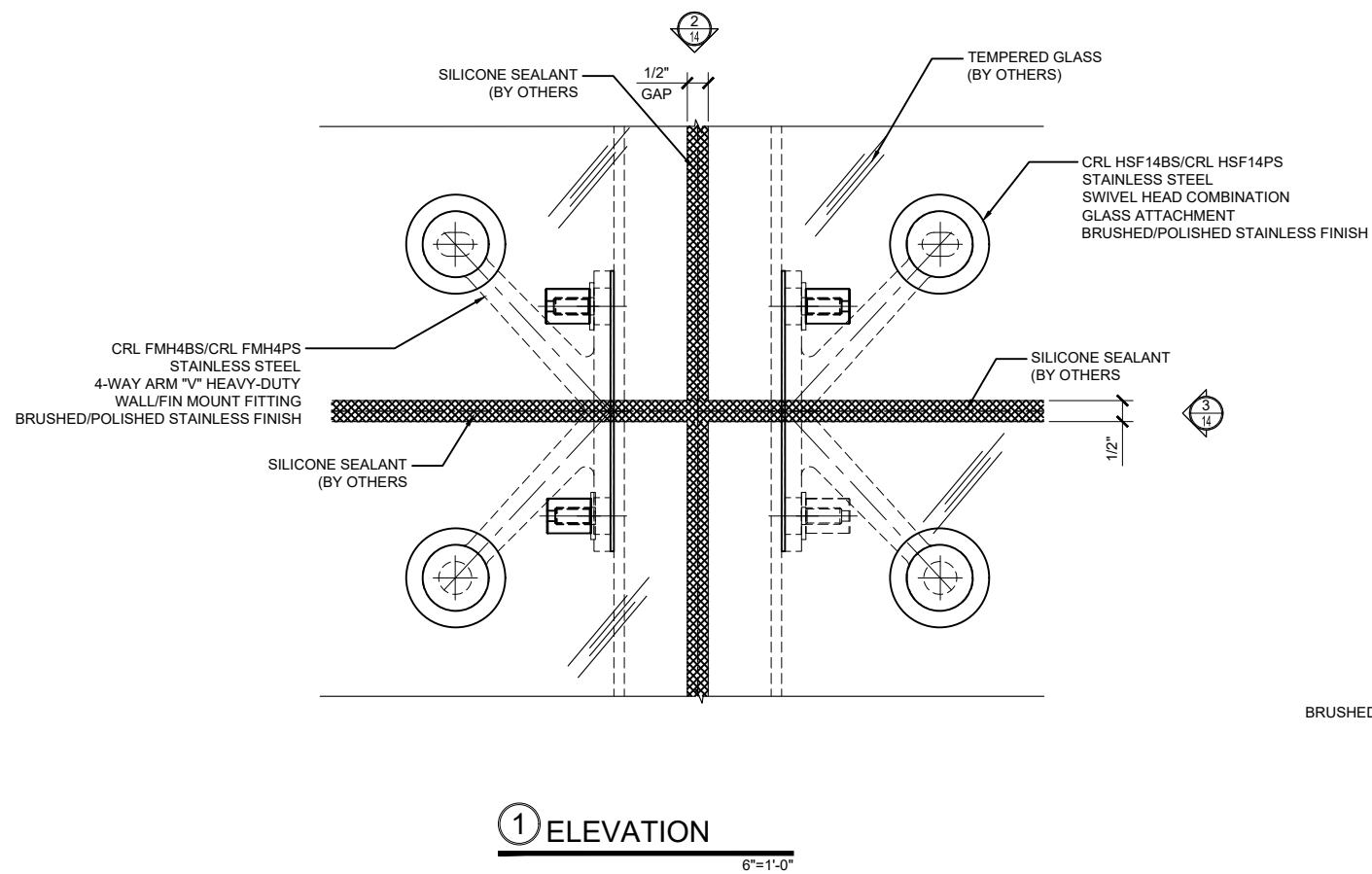
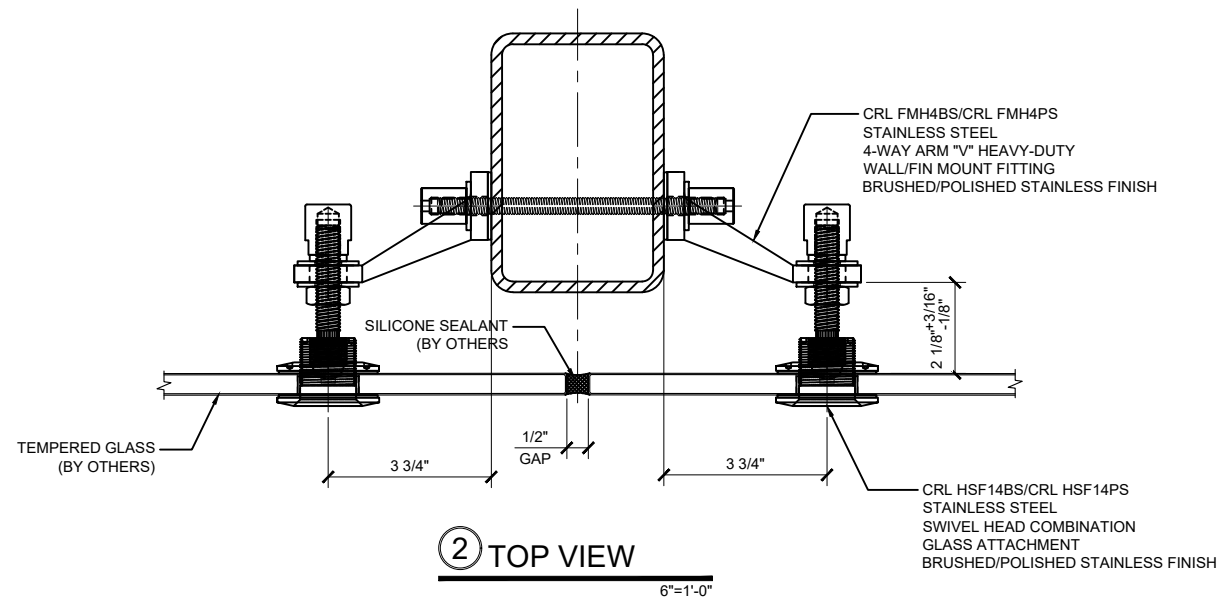
Revisions By:



A CRH COMPANY  
2503 E. Vernon Avenue, Los Angeles, CA 90058-1897  
PH (800)-421-6144 FX: 800-587-7501 www.crlaluminum.com

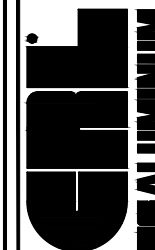
Description:  
CRL SPIDER FITTINGS

Drawn By: JRM  
Date: 4/4/17  
Scale: 6"=1'-0"  
File Name:  
Heavy Duty Spider Fittings.dwg  
Sheet



**ASSEMBLY - FOUR ARM "V" HEAVY-DUTY WALL/FIN MOUNT FITTING FMH4**

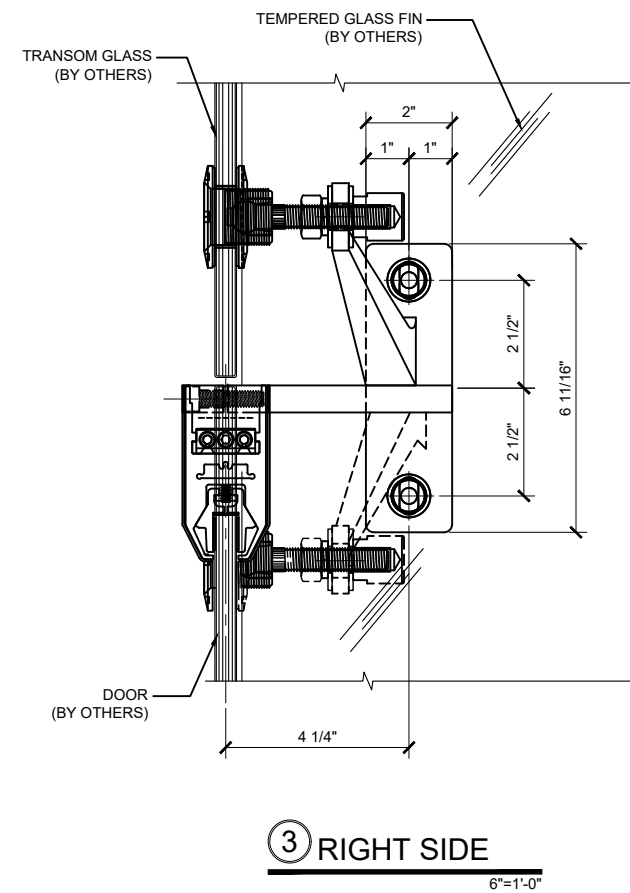
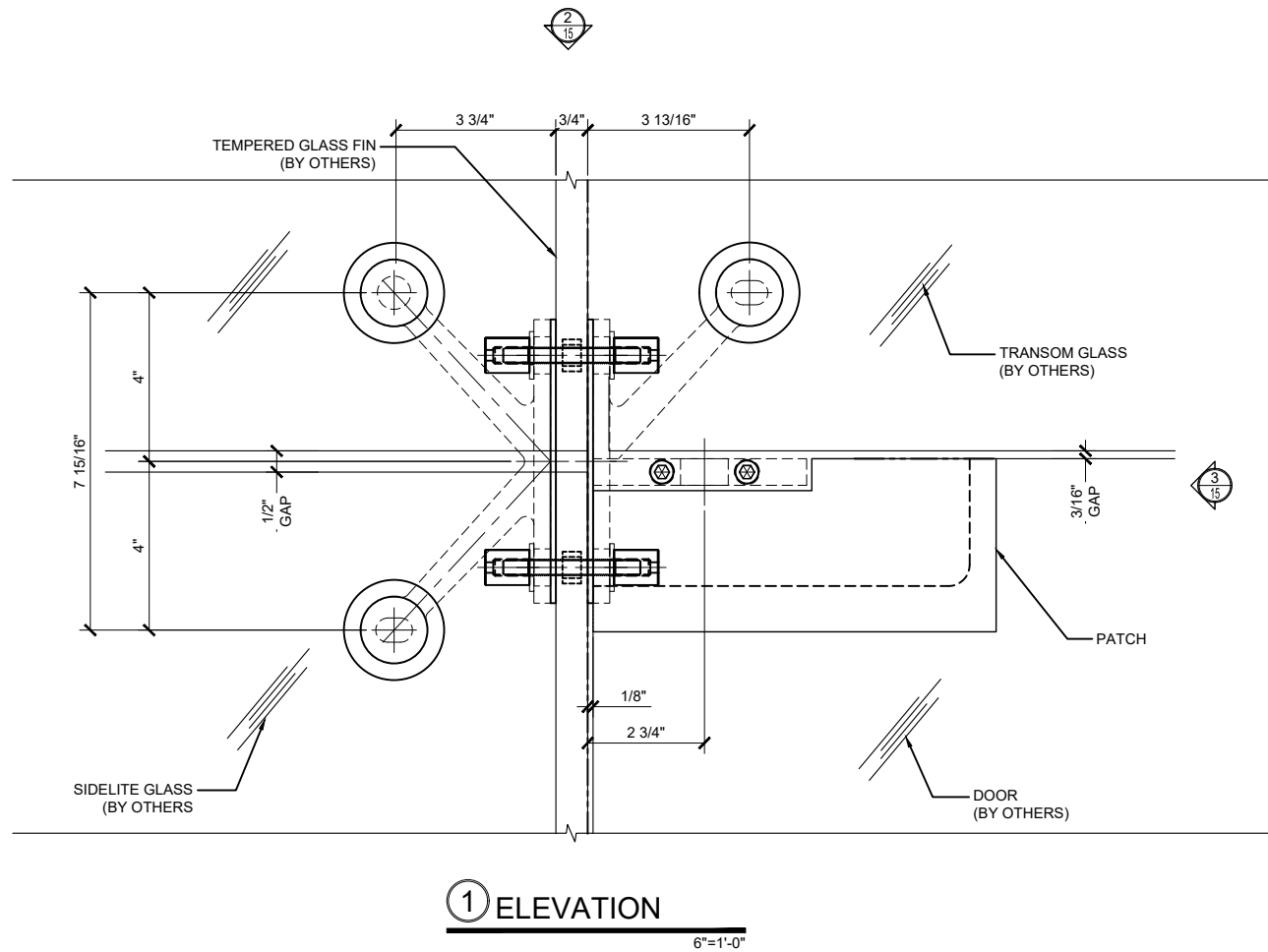
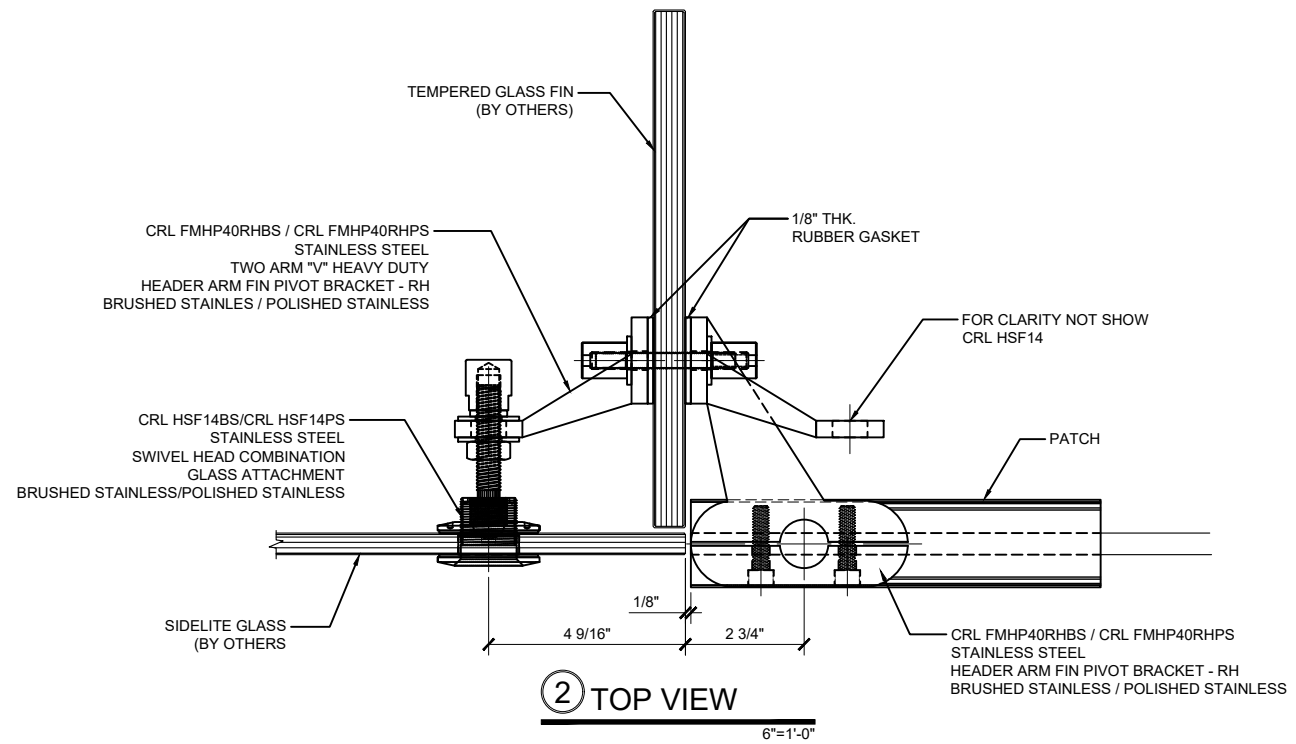
Revisions By:



A CRH COMPANY  
2503 E. Vernon Avenue, Los Angeles, CA 90058-1897  
PH (800)-421-6144 FX: 800-587-7501 www.crlaluminum.com

Description:  
CRL SPIDER FITTINGS

Drawn By: JRM  
Date: 4/4/17  
Scale: 6"=1'-0"  
File Name: Heavy Duty Spider Fittings.dwg  
Sheet



**ASSEMBLY - HEADER ARM FIN PIVOT BRACKET - R.H. FMHP40RH**

Revisions By:



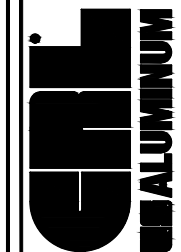
A CRH COMPANY  
2503 E. Vernon Avenue, Los Angeles, CA 90058-1897  
PH (800)-421-6144 FX: 800-587-7501 www.crlaluminum.com

Description:  
CRL SPIDER FITTINGS

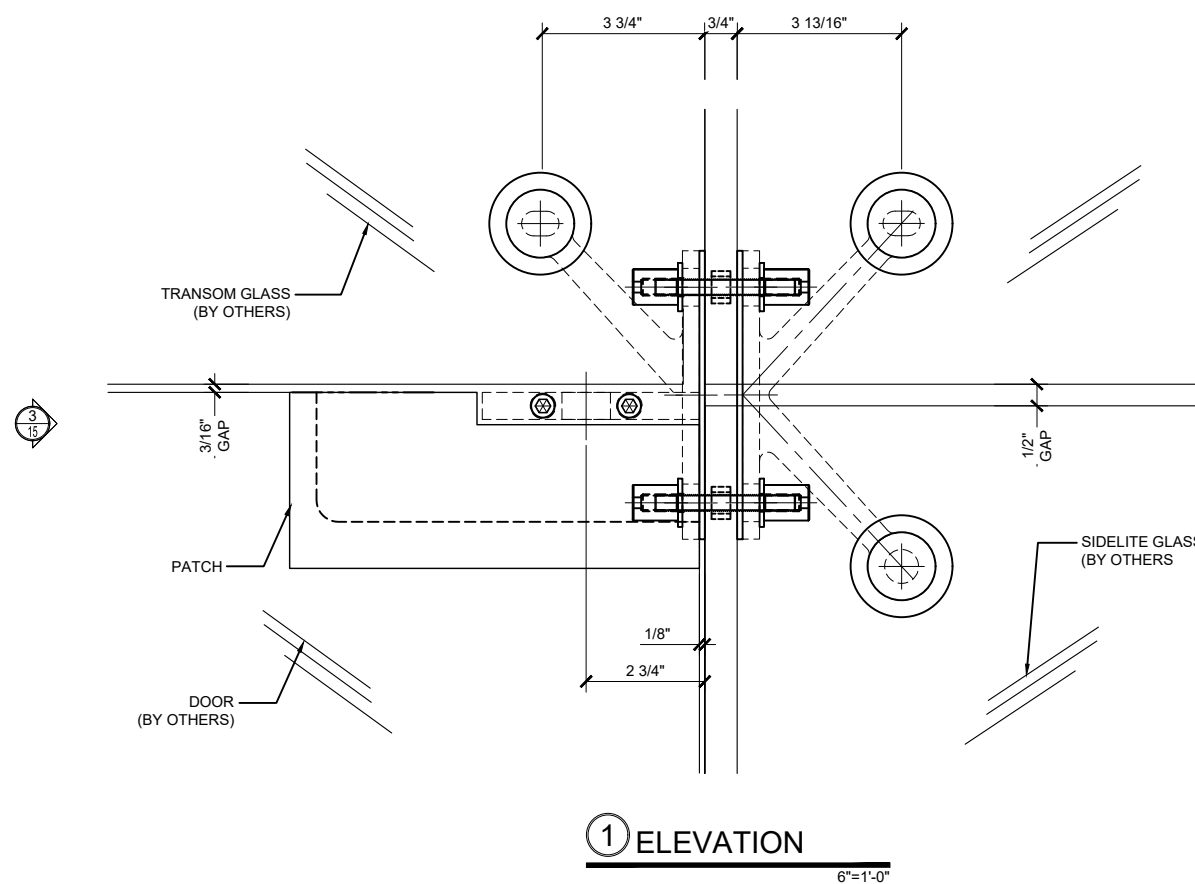
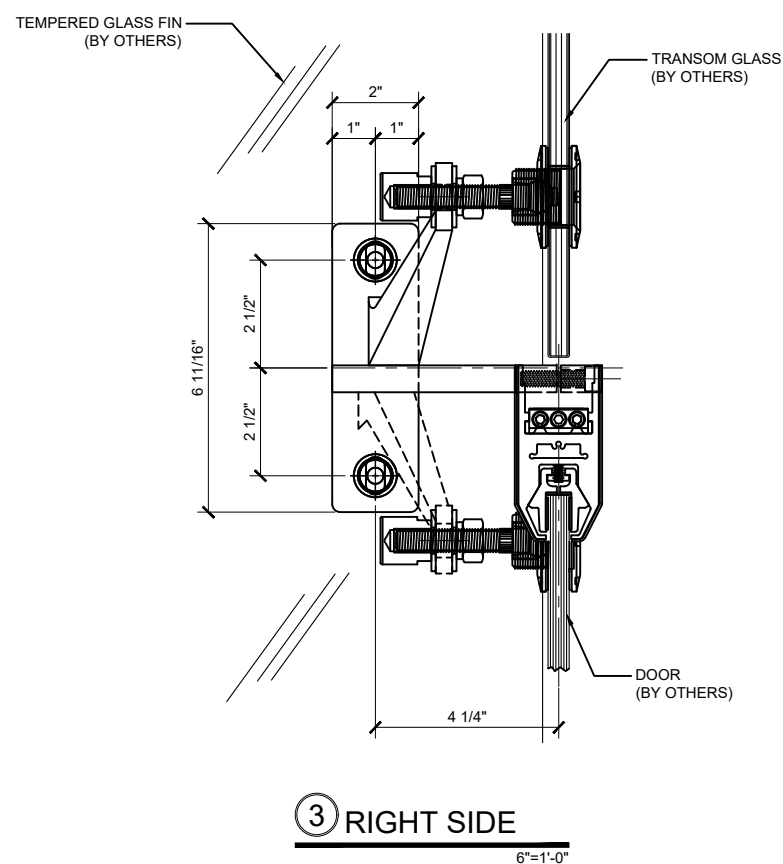
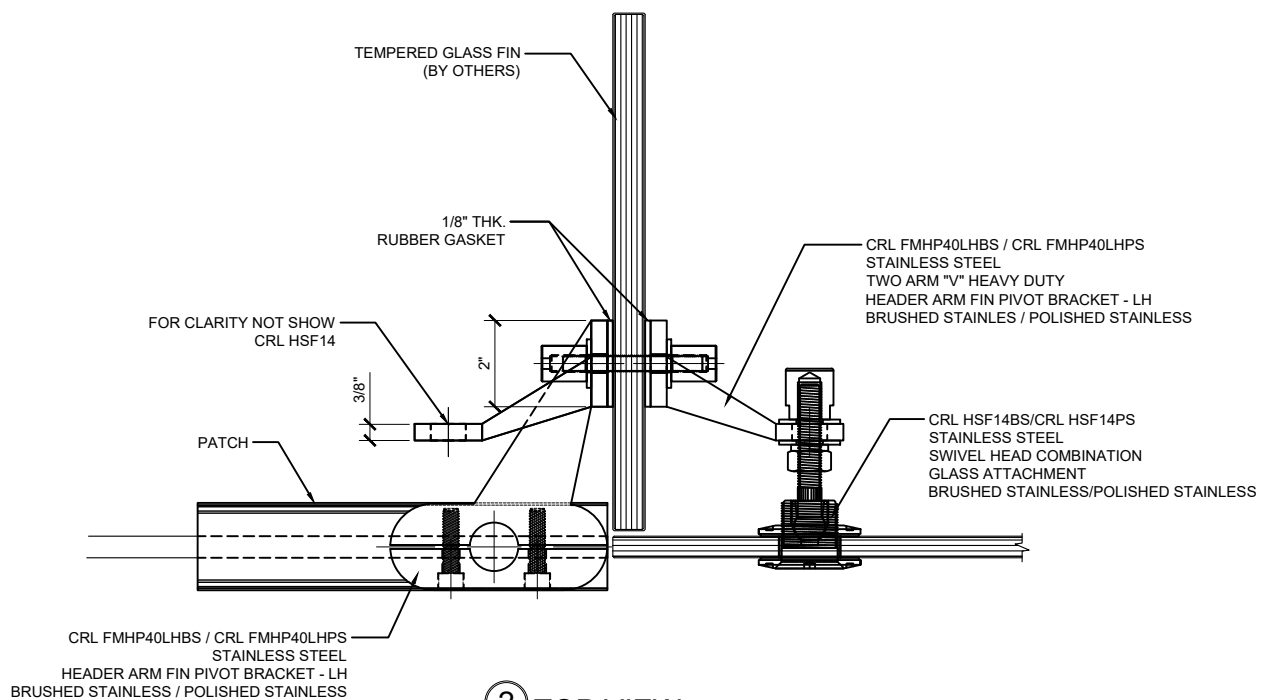
Drawn By: JRM  
Date: 4/4/17  
Scale: 6"=1'-0"  
File Name: Heavy Duty Spider Fittings.dwg  
Sheet



Revisions By:



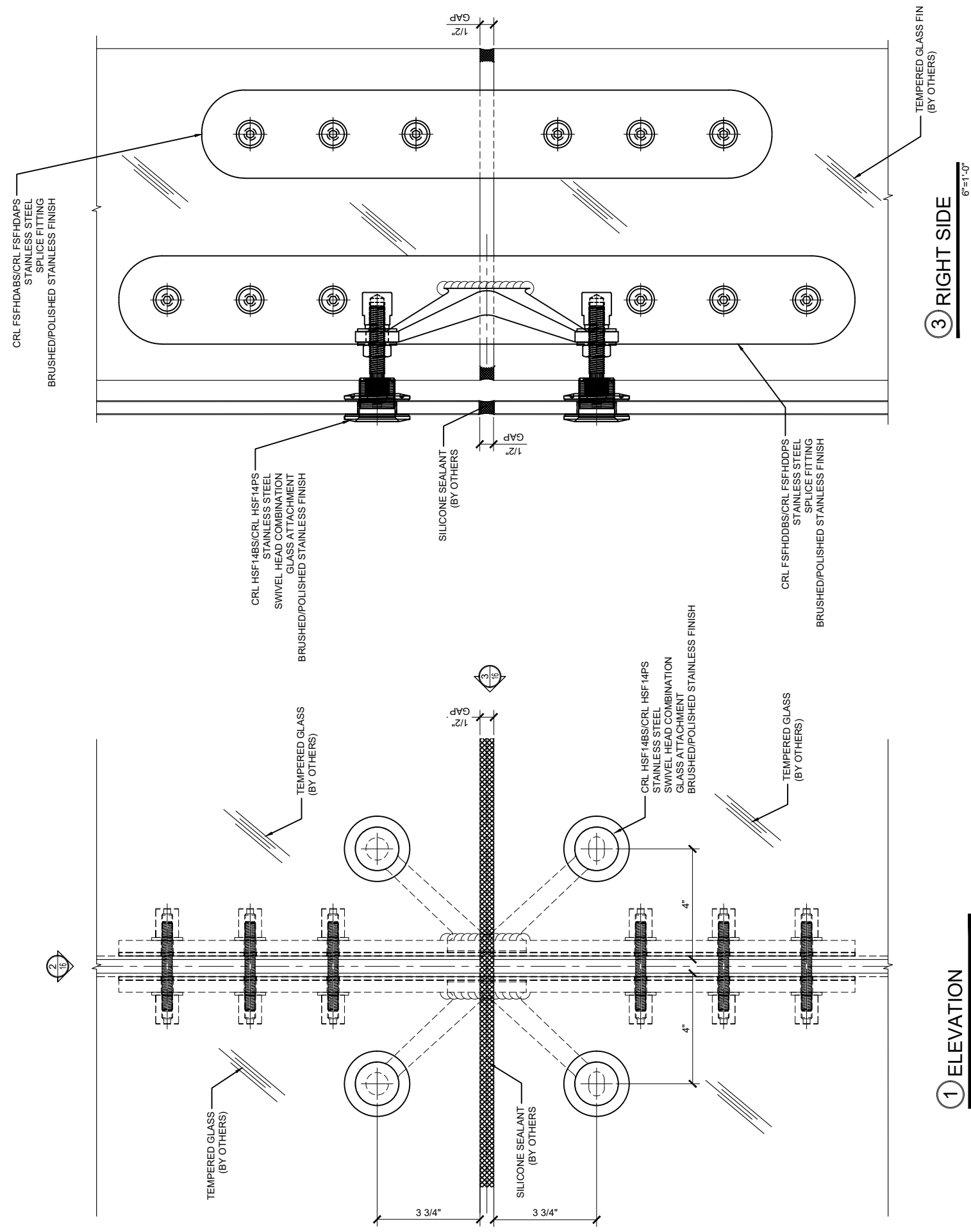
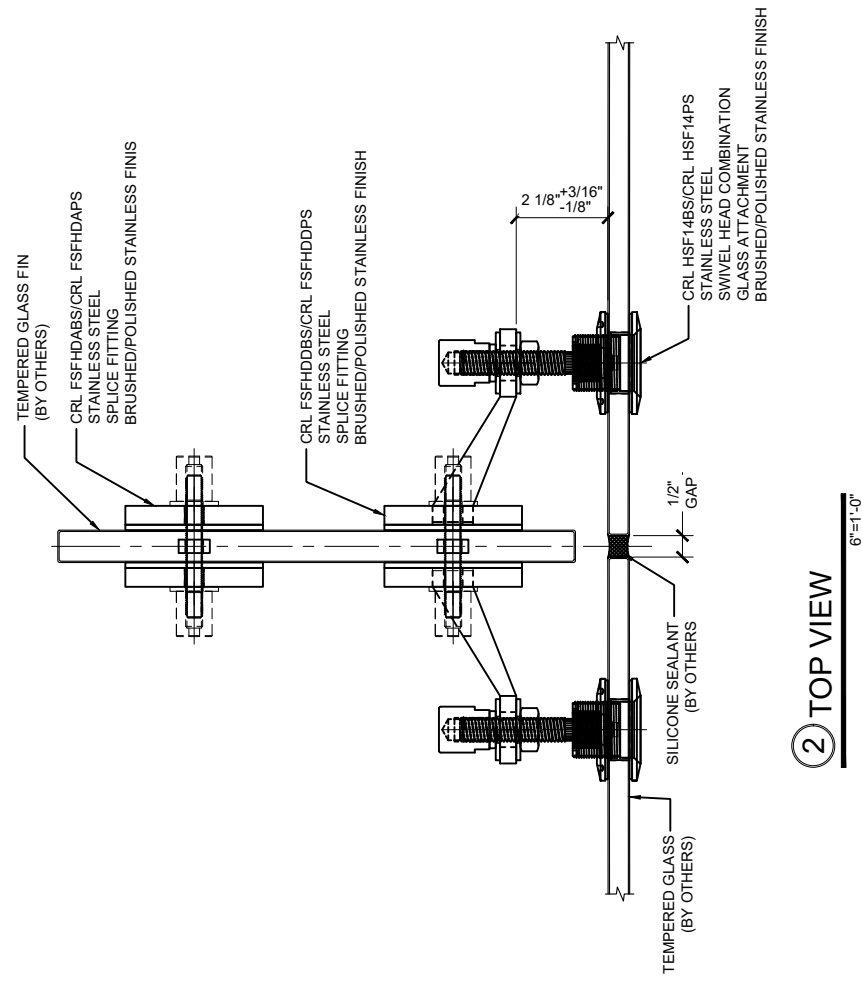
A CRH COMPANY  
2503 E. Vernon Avenue, Los Angeles, CA 90058-1897  
PH (800)-421-6144 FX: 800-587-7501 www.crlaurence.com



**ASSEMBLY - HEADER ARM FIN PIVOT BRACKET - L.H. FMHP40LH**

Description:  
CRL SPIDER FITTINGS

Drawn By: JRM  
Date: 4/4/17  
Scale: 6"=1'-0"  
File Name: Heavy Duty Spider Fittings.dwg  
Sheet



**ASSEMBLY - SPLICE FITTING - FSFH**

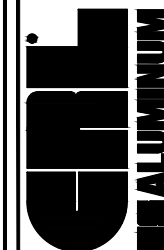
Description:

CRL SPIDER FITTINGS

Drawn By: JRM  
Date: 4/4/17  
Scale: 6"=1'-0"

File Name: Heavy Duty Spider Fittings.dwg  
Sheet

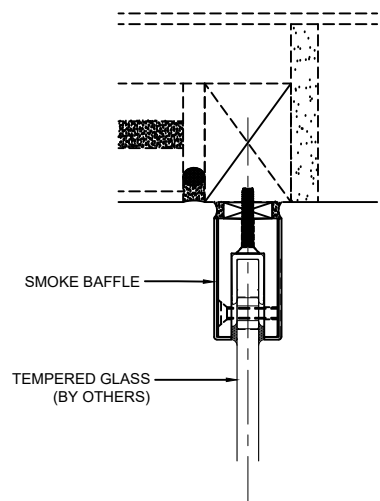
Revisions By:



2503 E. Vernon Avenue, Los Angeles, CA 90058-1897  
PH (800)-421-6144 FX: 800-587-7501 www.crlaurence.com

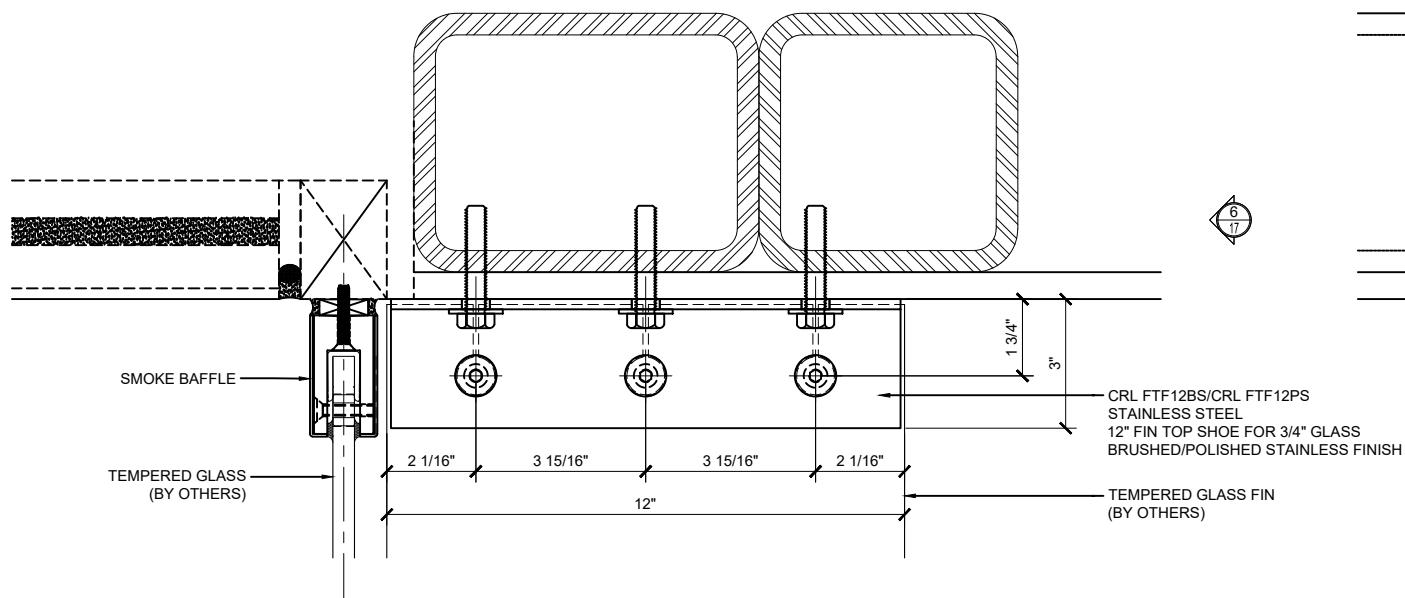
Description:  
CRL SPIDER FITTINGS

Drawn By: JRM  
Date: 4/4/17  
Scale: 6"=1'-0"  
File Name: Heavy Duty Spider Fittings.dwg  
Sheet



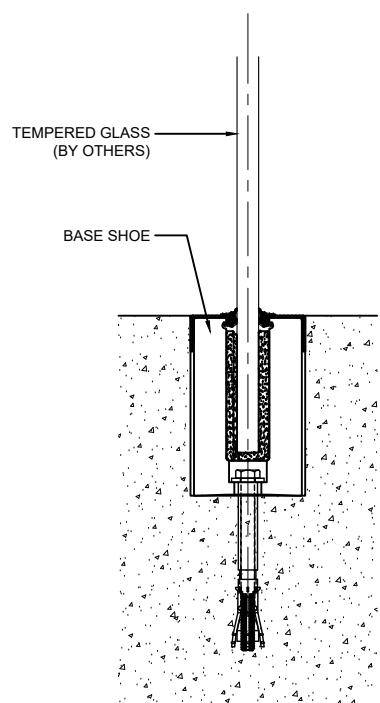
② HEAD DETAIL

6"=1'-0"



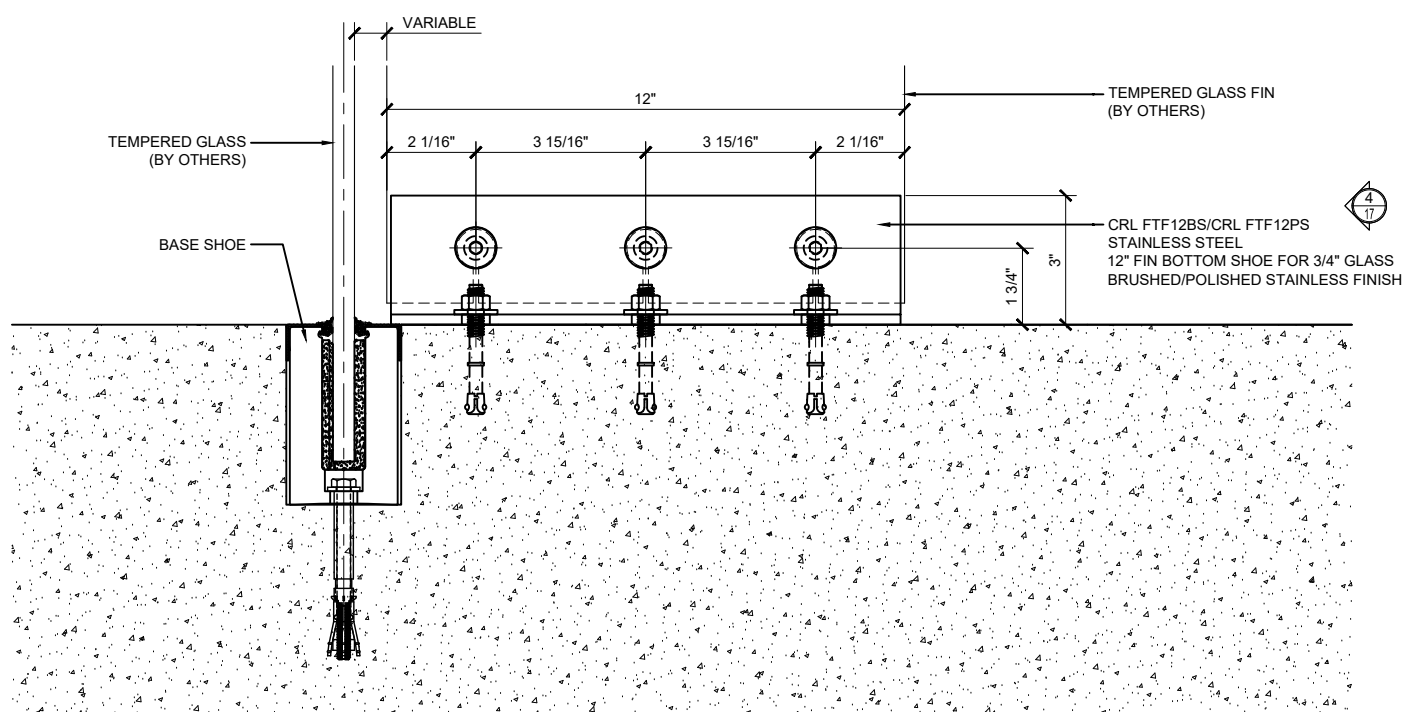
⑤ HEAD DETAIL AT FIN

6"=1'-0"



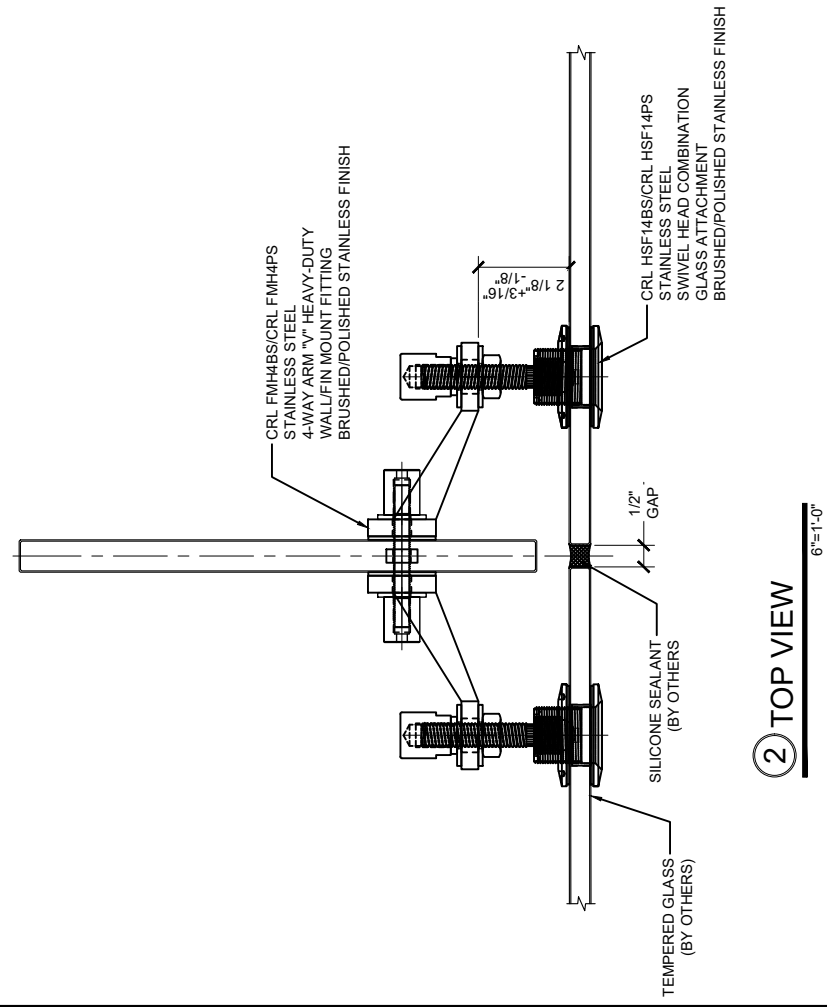
① SILL DETAIL

6"=1'-0"

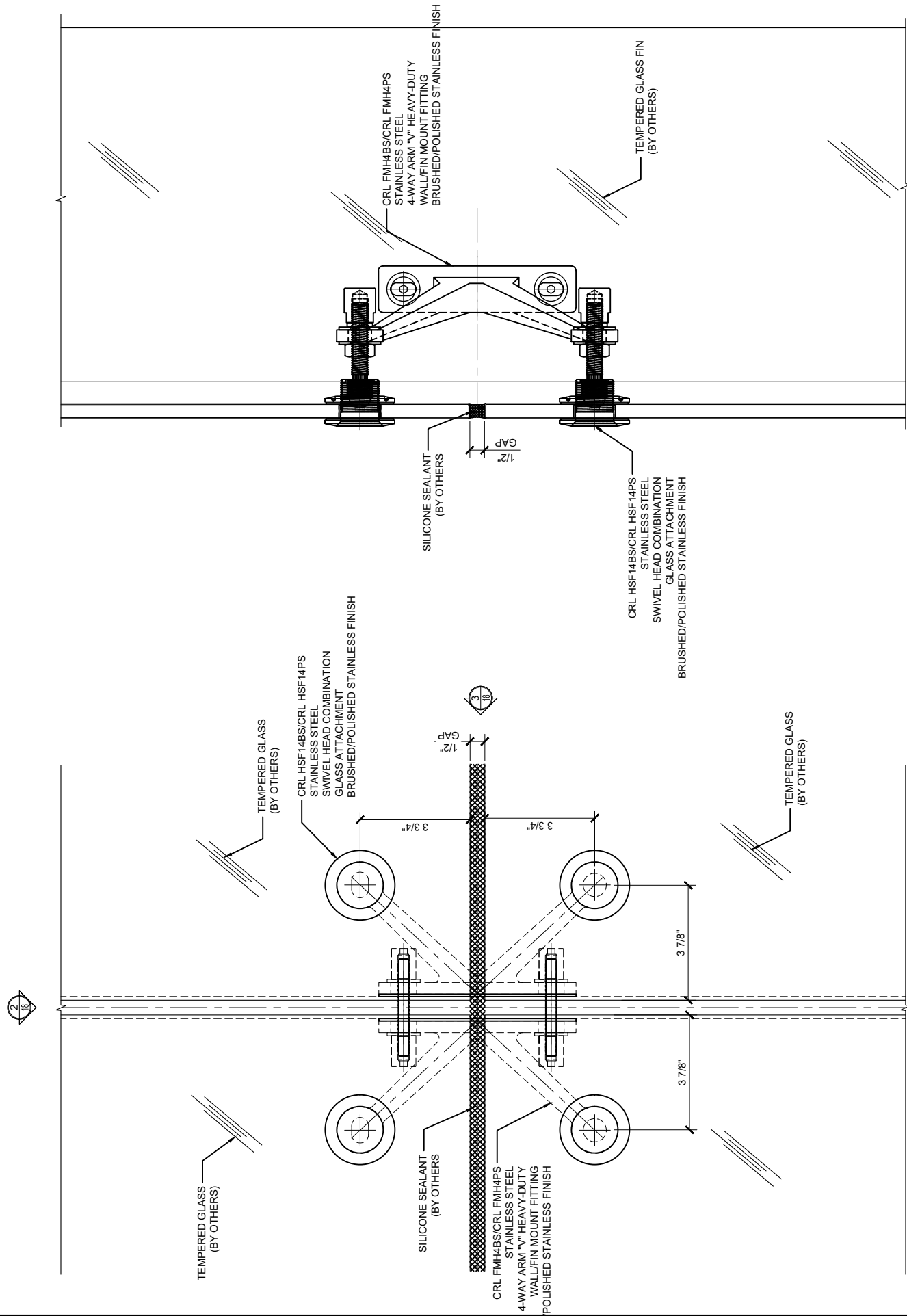


③ SILL DETAIL AT FIN

6"=1'-0"



② TOP VIEW  
6"=1'-0"



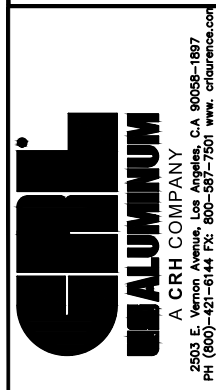
① ELEVATION  
6"=1'-0"

③ RIGHT SIDE  
6"=1'-0"

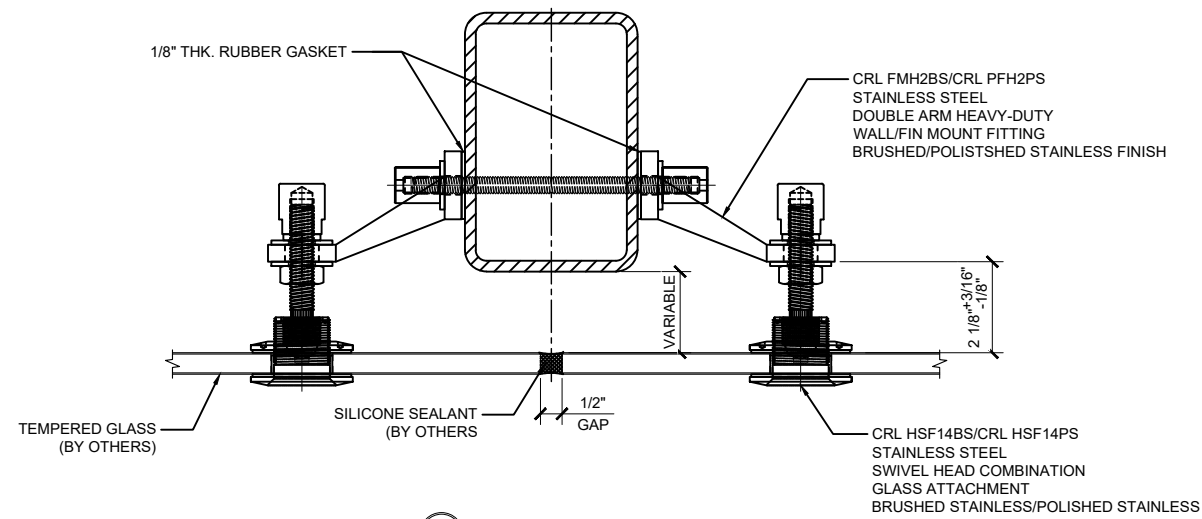
ASSEMBLY - 4-WAY V-ARM GLASS FIN FITTING - FMH4BS/PS

Drawn By: JRM  
Date: 4/4/17  
Scale: 6"=1'-0"  
File Name: Heavy Duty Spider Fittings.dwg  
Sheet

Description:  
CRL SPIDER FITTINGS

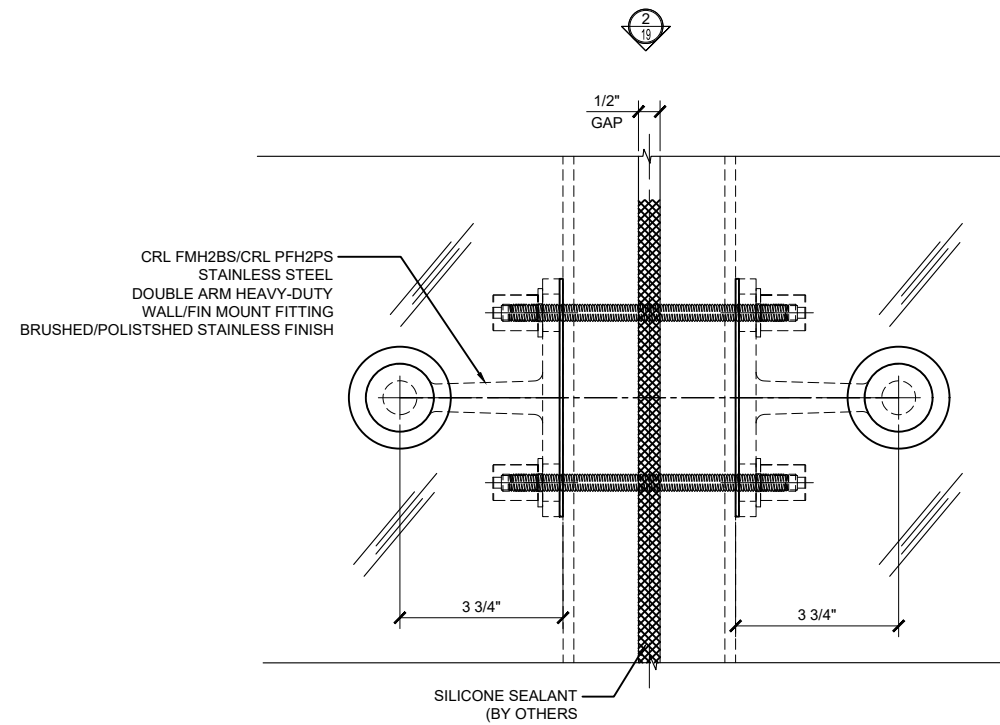


Revisions By:



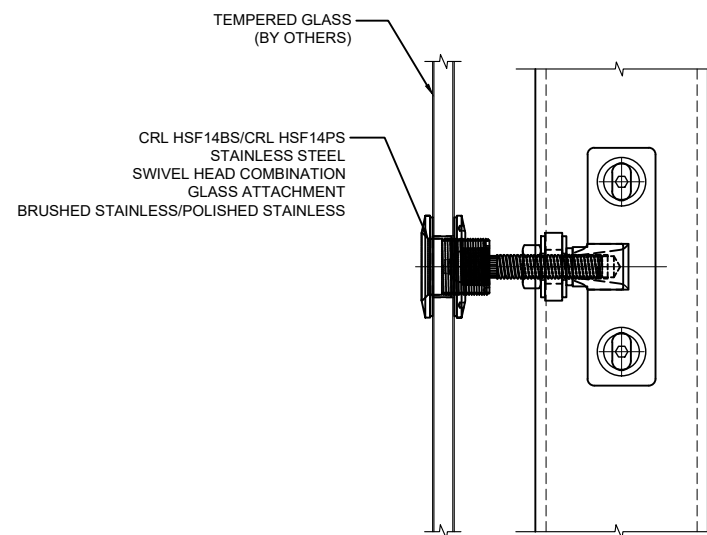
② TOP VIEW

6"=1'-0"



① ELEVATION

6"=1'-0"



③ RIGHT SIDE

6"=1'-0"

**ASSEMBLY - DOUBLE ARM HEAVY-DUTY WALL/FIN MOUNT FITTING FMH2**

Revisions By:



A CRH COMPANY  
2503 E. Vernon Avenue, Los Angeles, CA 90058-1887  
PH (800)-421-6144 FX: 800-587-7501 www.crlaurence.com

Description:  
CRL SPIDER FITTINGS

Drawn By: JRM

Date: 4/4/17

Scale: 6"=1'-0"

File Name:  
Heavy Duty Spider Fittings.dwg

Sheet