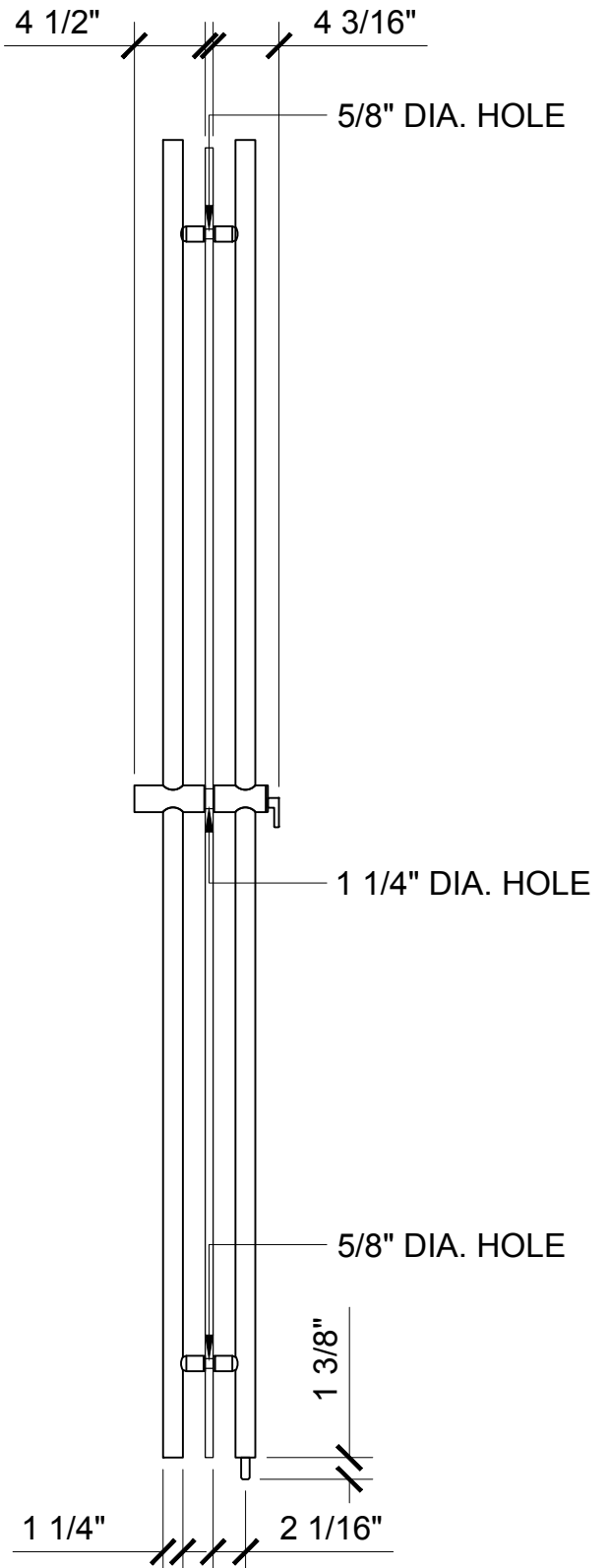


CRL DLLPA84__ 84"
CRL LLPA84__ 84"
LADDER PULL
AVAILABLE IN
BRUSHED S.S. OR
POLISHED S.S.

ELEVATION



SECTION



C.R. LAURENCE CO. ARCHITECTURAL PRODUCTS
2503 E. Vernon Avenue, Los Angeles, C.A. 90058-1897
PH (800)-421-6144 FX: 800-587-7501 www.crlaurence.com

DESCRIPTION: LLPA84 __/DLLPA84 __

DATE: 7/22/14
SCALE: 1"=1'-0"
DRAWN BY: AAD