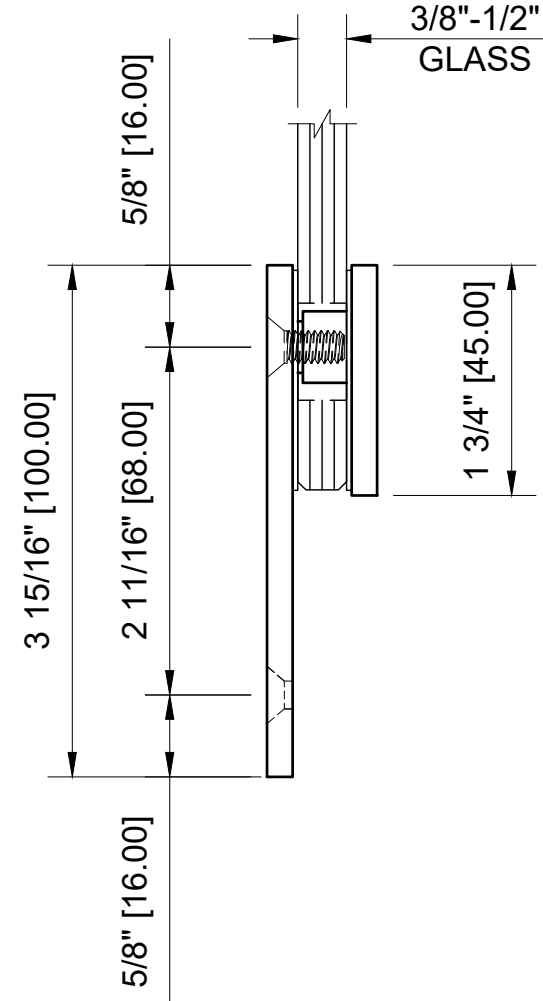
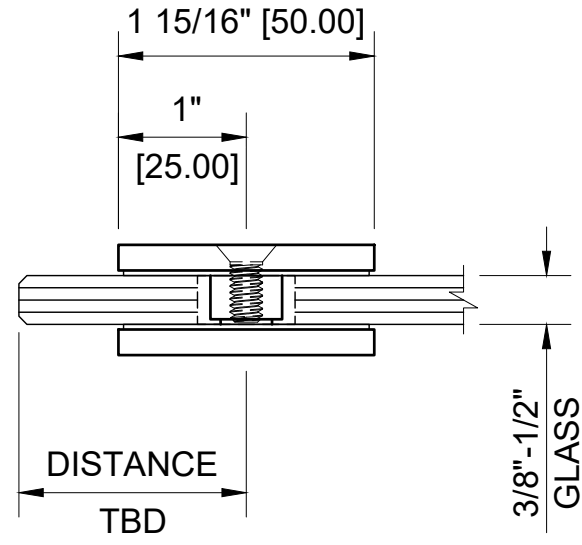
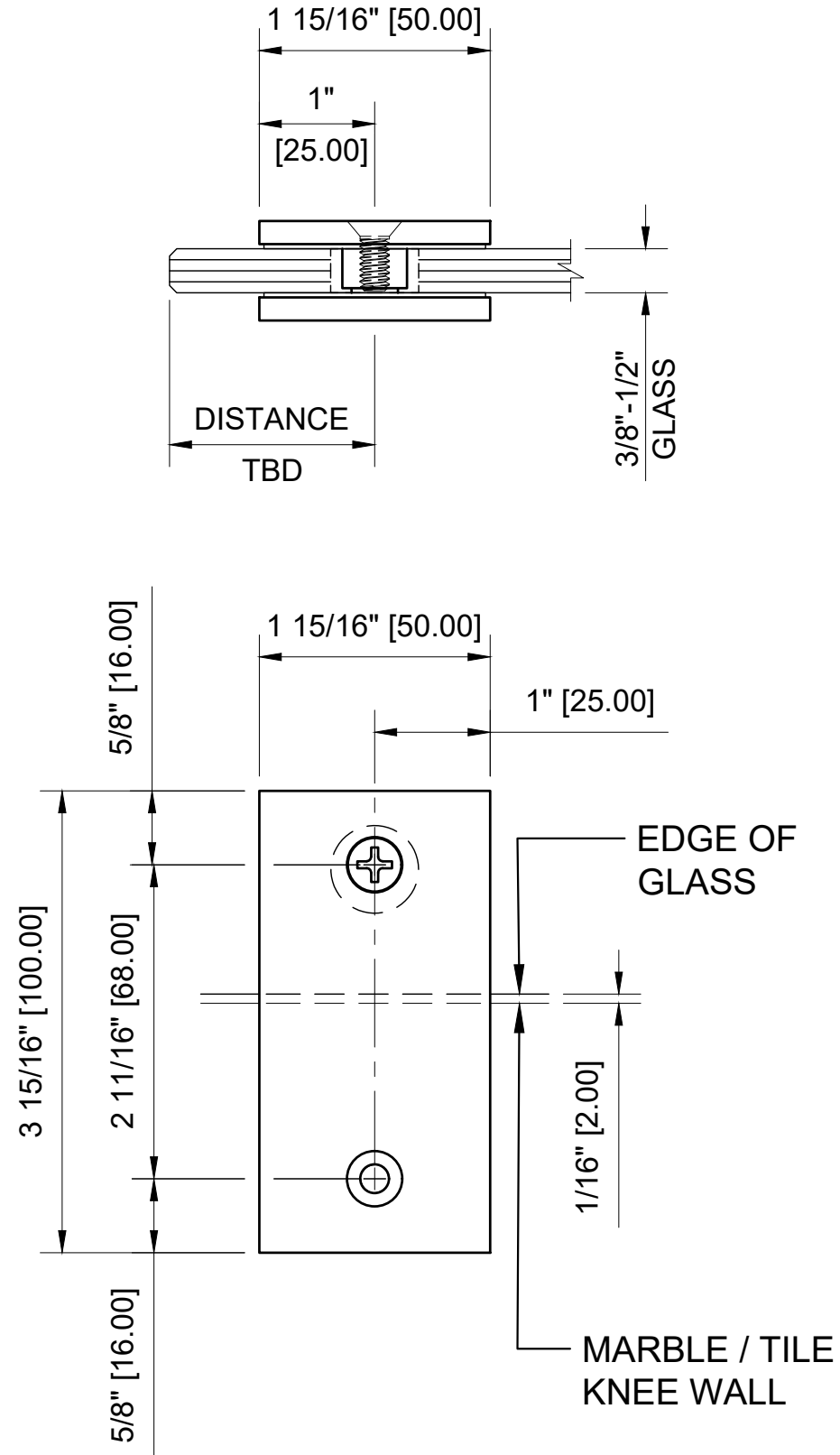


USE OF GASKETS

FOR 3/8" (10mm) GLASS:  
 FOR 1/2" (12mm) GLASS:



SGC182XX - CRL SQUARE CORNER STYLE "Y" INLINE WALL TO GLASS CLAMPS

DATE: 12-3-2019  
 SCALE: 6"=1'-0"  
 DRAWN BY: VM

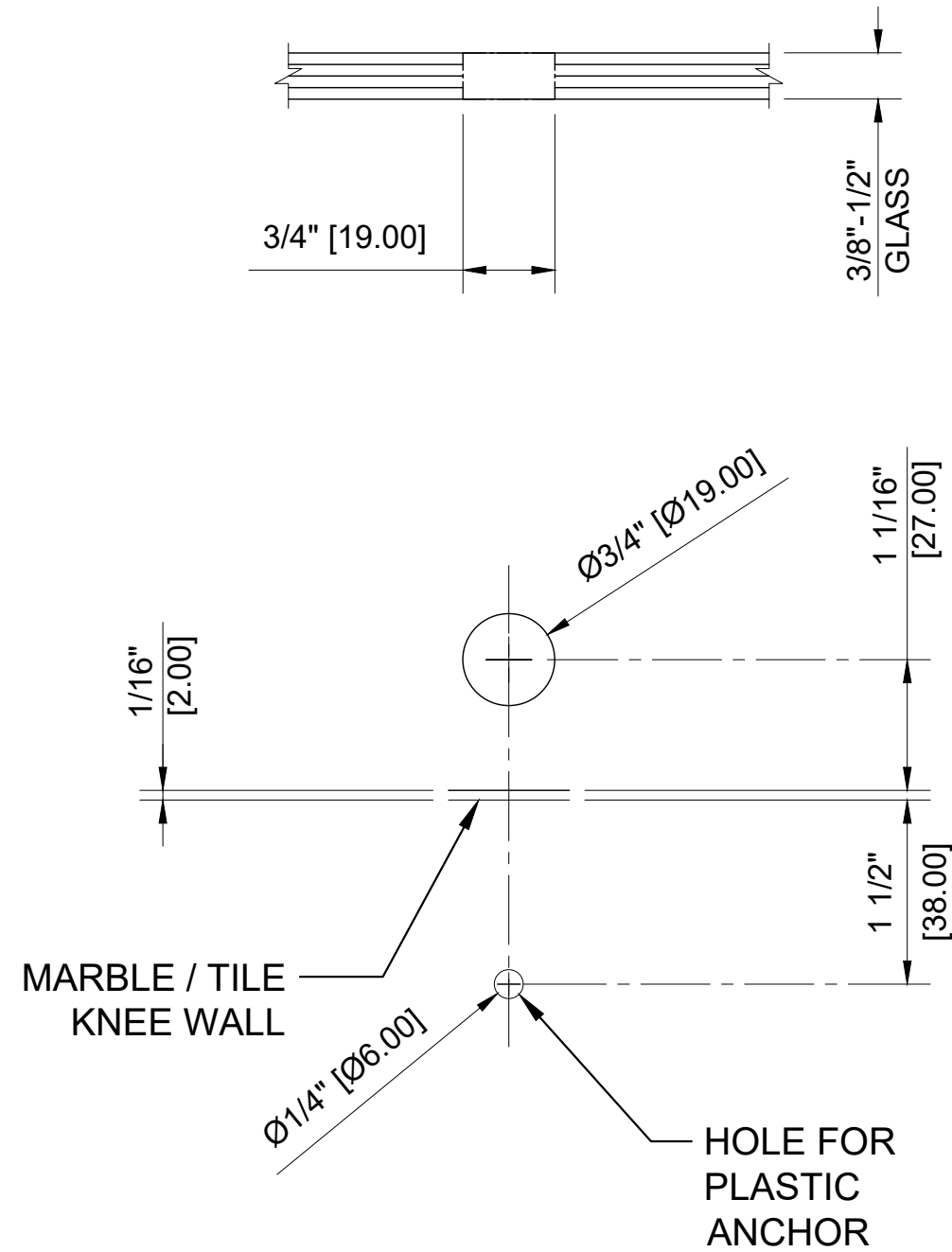
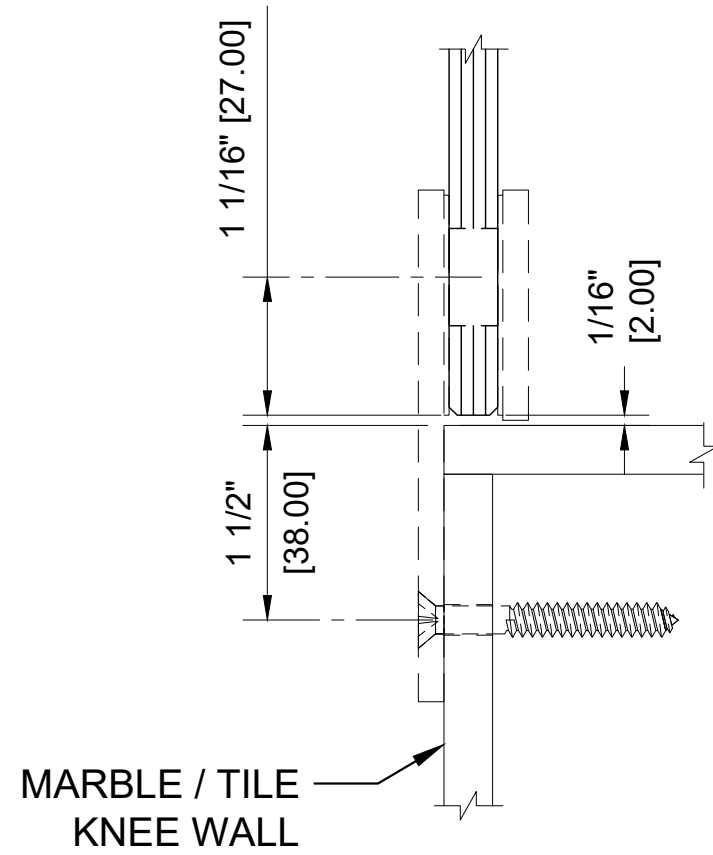
DESCRIPTION:  
 CTS CRL - SQUARE CORNER GLASS CLAMP  
 "Y" INLINE WALL TO GLASS APPLICATION

C.R. LAURENCE CO. ARCHITECTURAL PRODUCTS  
 2503 E. Vernon Avenue, Los Angeles, C.A 90058-1897  
 PH (800)-421-6144 FX: 800-587-7501 www.crlaurence.com



USE OF GASKETS

FOR 3/8" (10mm) GLASS:  
 FOR 1/2" (12mm) GLASS:



"Y" INLINE WALL TO GLASS CLAMP  
 3/4" (19mm) DIAMETER HOLE  
 1/16" (2mm) GAP CLEARANCE  
 GLASS FABRICATION TEMPLATE

CATALOG NUMBER	FINISH
SGC1820RB	OIL RUBBED BRONZE
SGC182BN	BRUSHED NICKEL
SGC182BR	POLISHED BRASS
SGC182CH	POLISHED CHROME
SGC182MBL	MATTE BLACK

SGC182XX - CRL SQUARE CORNER STYLE "Y" INLINE WALL TO GLASS CLAMPS

DATE: 12-3-2019  
 SCALE: 6"=1'-0"  
 DRAWN BY: VM

DESCRIPTION:  
 CTS CRL - SQUARE CORNER GLASS CLAMP  
 "Y" INLINE WALL TO GLASS APPLICATION

C.R. LAURENCE CO. ARCHITECTURAL PRODUCTS  
 2503 E. Vernon Avenue, Los Angeles, CA 90058-1897  
 PH (800)-421-6144 FX: 800-587-7501 www.crlaurence.com

