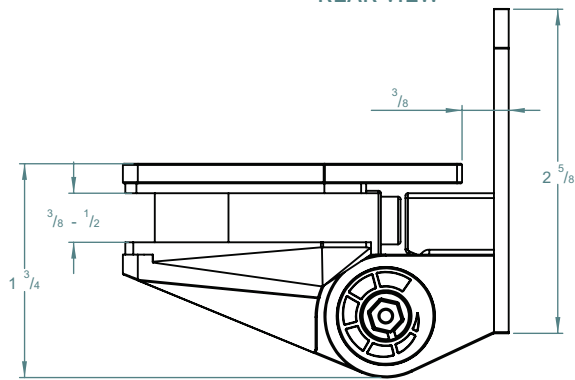
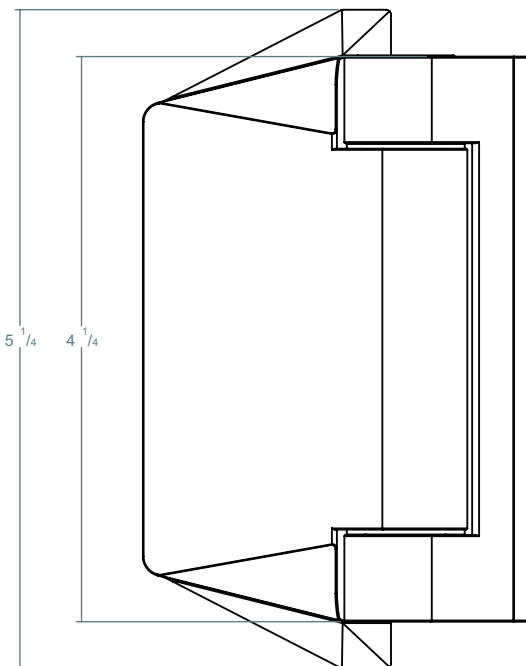


REAR VIEW



TOP VIEW

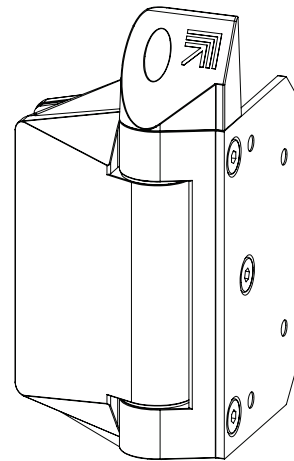


FRONT VIEW

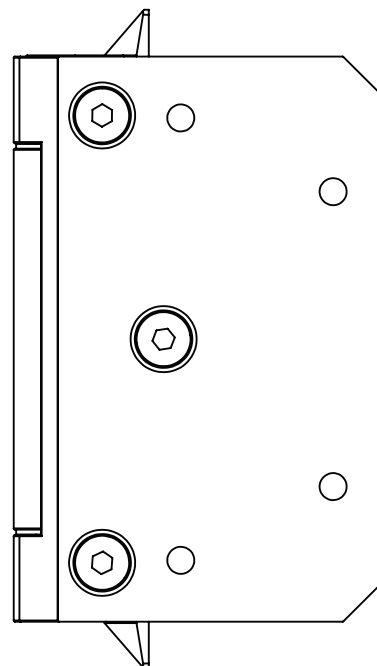
TO ORDER SPECIFY:

- 125WP POLISHED FINISH
- 125WS SATIN FINISH
- 125WB BLACK FINISH

SQUARE OR ROUND
POST BRACKETS
AVAILABLE



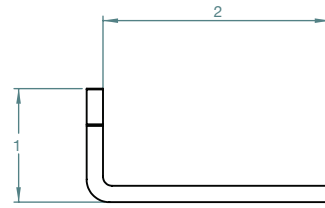
INSTALLED SAFETY CAP



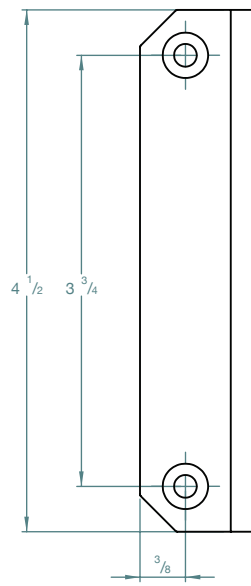
SIDE VIEW

SQUARE POST BRACKET
TO ORDER SPECIFY:

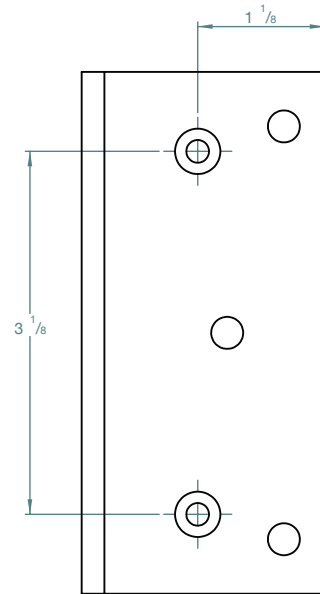
- SPP POLISHED FINISH
- SPS SATIN FINISH
- SPB BLACK FINISH



TOP VIEW



FRONT VIEW



SIDE VIEW