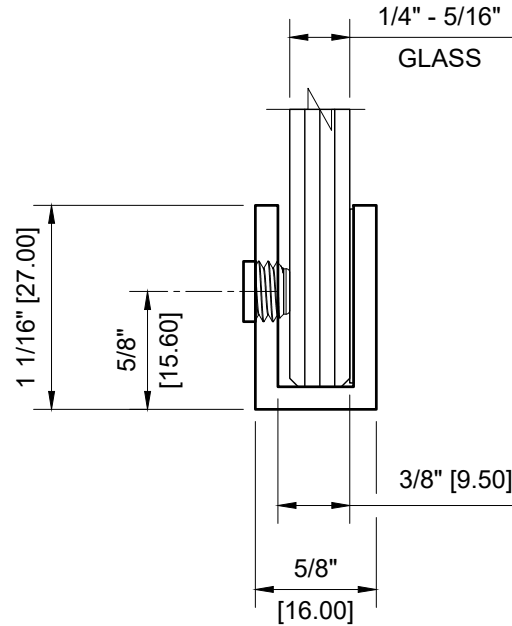
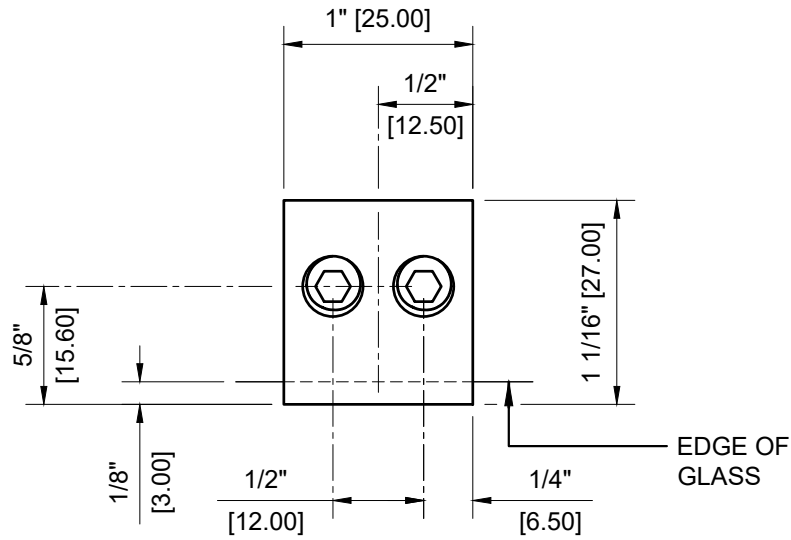
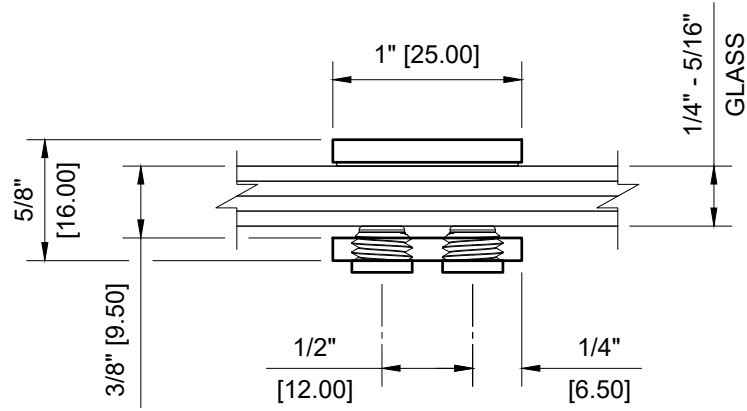


1/4" (6mm) GLASS:
 5/16" (8mm) GLASS:



CRL EH34 - CHROME FINISH DOUBLE SET SCREW GLASS CLAMP

C.R. LAURENCE CO. ARCHITECTURAL PRODUCTS
 2503 E. Vernon Avenue, Los Angeles, C.A. 90058-1897
 PH (800)-421-6144 FX: 800-587-7501 www.crlaurence.com



DESCRIPTION: CRL - EH34 CHROME FINISH

DOUBLE SET SCREW CLAMP

DATE: 3-19-2020

SCALE: 1'-0"=1'-0"

DRAWN BY: VM